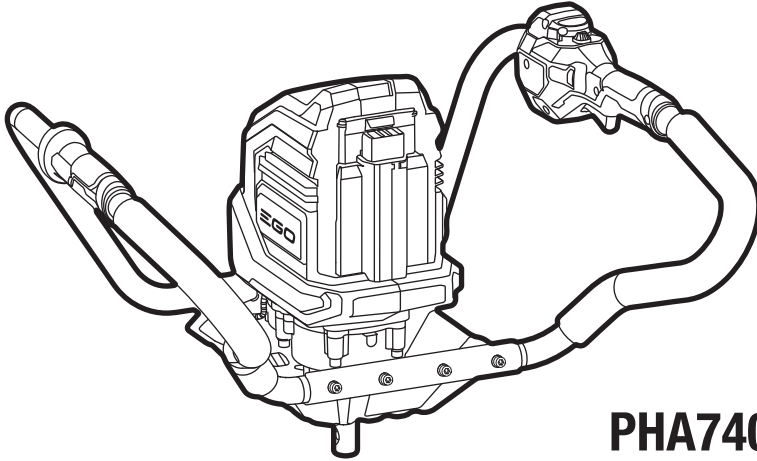


# EGO™

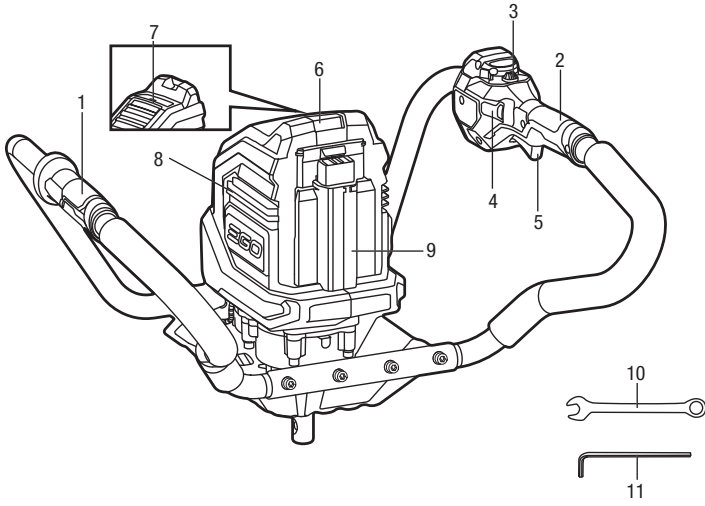
## POWER<sup>+</sup> AUGER



### PHA7400E

#### 56-VOLT LITHIUM-ION CORDLESS AUGER POWER HEAD

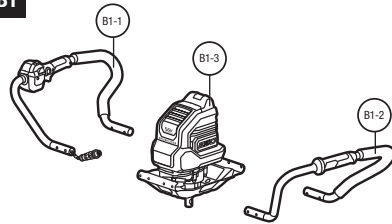
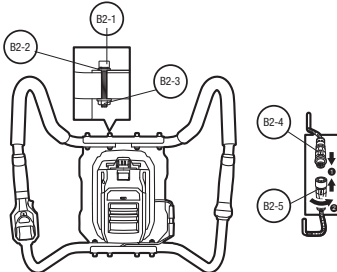
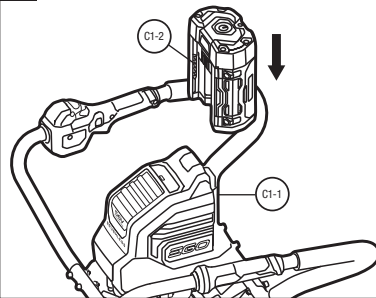
EN	56-volt Lithium-Ion Cordless Auger Power Head	4	RO	Capul De Putere al Burghiu spiral Fără Fir De 56 Voltji Litiu-ion	125
DE	Kabelloser Erdbohrer-Kombimotor mit 56-Volt Lithium-Ionen-Akku	11	SL	56-voltna litij-ionska brezžična napajalna glava za vrtnalnik	132
FR	Bloc moteur de foreuse sans fil à batterie lithium-ion 56 volts	19	LT	56 voltų ličio jonų belaidis sraigtnio gražto elektrinė galvutė	139
ES	Conjunto de motor inalámbrico para barrena con batería de iones de litio de 56 V	27	LV	56 voltu litija jonu akumulatora spirālveida urbja instrumentgalva	146
PT	Cabeça motora de perfurador sem fios com bateria de ião de lítio de 56 volts	35	GR	Φορητή Κεφαλή Ισχύος-Αριδα Λιθίου - Ιόντων 56 Volt	153
IT	Unità motore trivella cordless Li-ion 56 volt	43	TR	56 volt lityum iyon akülü burgu güç başlığı	161
NL	56-volt lithium-ion accu-motorkop voor boor	51	ET	56-voldine liitium-ioon akupinnasepuuri toitepea	168
DK	Ledningsfri motorenhed til skruebor med 56-volt litium-ion-batteri	59	UK	Шнекова приводна головка з 56-вольтним літій-іонним акумулятором	175
SE	56 volt sladdlös lithium-jon motorenhet för borrh	66	BG	56-волта литиево-йонна безкабелна шнекова захранваща глава	183
FI	56 voltin litium-ioniakku pää kairalla	73	HR	56 voltna litij-ionska akumulatorska pogonska glava za svrdlo	191
NO	56-volt lithium-ion batteridrevet bore motorenhet	80	KA	56 ვოლტიანი ლითიუმ-იონის უსადენო ბურღის ძალური თავჯიკი	198
RU	Беспроводной приводной блок для бура с литий-ионным аккумулятором 56 В	87	SR	Bežična pogonska glava svrdla sa litijum-jonskom baterijom od 56 volti	207
PL	Bezprzewodowa wirnikowa głowica napędowa z akumulatorem litowo-jonowym 56 woltów	95	BS	Akumulatorska pogonska jedinica sa svrdlom i litij-ionskom baterijom od 56 V	214
CZ	56 voltová lithium-iontová akumulátorová šneková pohonná hlava	103	HE	ראש חשמל למקדחה אלחוטי ליתיום-יון 56 וולט	235
SK	56 voltová litium-iónová akumulátorová šneková pohonná hlava	110	AR	رأس طاقة بريمية لاسلكي ببطارية لثيوم-أيون 56 فولت	228
HU	56 voltos vezeték nélküli lítium-ion fúró motorfej	117			

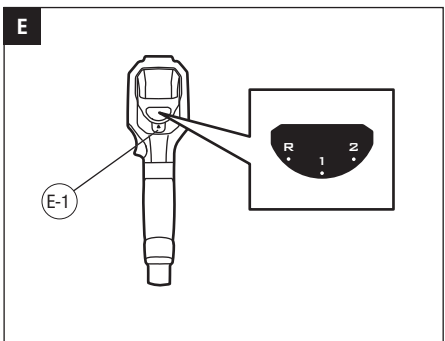
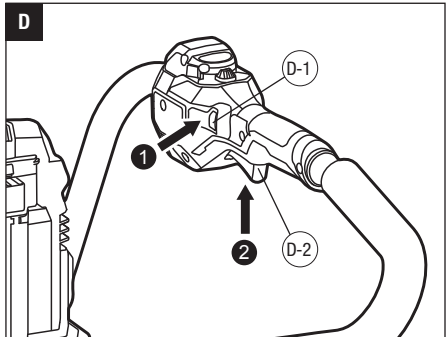
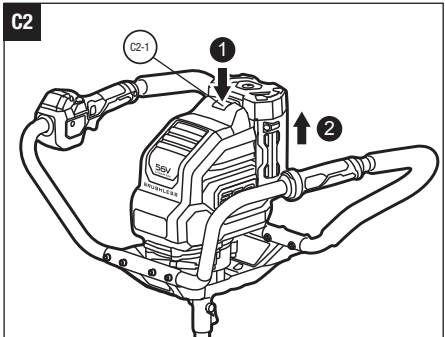
**A1****A2**

BA1400, BA1400T,  
BA2240T, BA2242T,  
BA2800, BA2800T,  
BA3360T, BA4200,  
BA4200T, BA5600T,  
BA6720T



CH2100E,  
CH3200E,  
CH5500E,  
CH7000E,  
CH7000E-T

**B1****B2****C1**



**READ ALL INSTRUCTIONS!****READ OPERATOR'S MANUAL**

**⚠ WARNING:** To ensure safety and reliability, all repairs should be performed by a qualified service technician.

**SAFETY SYMBOL**

The purpose of safety symbols is to attract your attention to possible dangers. The safety symbols and the explanations with them deserve your careful attention and understanding. The symbol warnings do not, by themselves, eliminate any danger. The instructions and warnings they give are no substitutes for proper accident prevention measures.

**⚠ WARNING:** Be sure to read and understand all safety instructions in this Operator's Manual, including all safety alert symbols such as "**DANGER**," "**WARNING**," and "**CAUTION**" before using this machine. Failure to follow all instructions listed below may result in electric shock, fire, and/or serious personal injury.

**SAFETY INSTRUCTIONS**

This page depicts and describes safety symbols that may appear on this product. Read, understand, and follow all instructions on the machine before attempting to assemble and operate.



Safety Alert



To reduce the risk of injury, user must read the operator's manual.



Wear Ear Protection



Wear Eye Protection



Waste electrical products should not be disposed of with household waste. Take to an authorized recycler.



This product is in accordance with applicable EC directives.



Direct Current



UK Conformity Assessed

V

Voltage

kg

Kilogram

IPX4

Protection from splashing water



## GENERAL MACHINE SAFETY WARNINGS

**⚠ WARNING:** Read all safety warnings, instructions, illustrations and specifications provided with this machine. Failure to follow all instructions listed below may result in electric shock, fire and/or serious injury.

Save all warnings and instructions for future reference.

### WORK AREA SAFETY

- **Keep work area clean and well lit.** Cluttered or dark areas invite accidents.
- **Do not operate machines in explosive atmospheres, such as in the presence of flammable liquids, petrol or dust.** Machines create sparks which may ignite the dust or fumes.
- **Keep children and bystanders away while operating a machine.** Distractions can cause you to lose control.

### ELECTRICAL SAFETY

- **Machine plugs must match the outlet. Never modify the plug in any way. Do not use any adapter plugs with earthed (grounded) machines.** Unmodified plugs and matching outlets will reduce risk of electric shock.
- **Avoid body contact with earthed or grounded surfaces, such as pipes, radiators, ranges and refrigerators.** There is an increased risk of electric shock if your body is earthed or grounded.
- **Do not expose machines to rain or wet conditions.** Water entering a machine will increase the risk of electric shock.
- **Do not abuse the cord. Never use the cord for carrying, pulling or unplugging the machine. Keep cord away from heat, oil, sharp edges or moving parts.** Damaged or entangled cords increase the risk of electric shock.
- **When operating a machine outdoors, use an extension cord suitable for outdoor use.** Use of a cord suitable for outdoor use reduces the risk of electric shock.
- **If operating a machine in a damp location is unavoidable, use a Ground-fault circuit interrupter protected supply.** Use of a GFCI reduces the risk of electric shock.

### PERSONAL SAFETY

- **Stay alert, watch what you are doing and use common sense when operating a machine. Do not use a machine while you are tired or under the influence of drugs, alcohol or medication.** A moment of inattention while operating machines may result in serious personal injury.
- **Use personal protective equipment. Always wear eye protection. Protective equipment such as a dust mask, non-skid safety shoes, hard hat or hearing protection used for appropriate conditions will reduce personal injuries.**
- **Prevent unintentional starting. Ensure the switch is in the off-position before connecting to power source and/or battery pack, picking up or carrying the machine.** Carrying machines with your finger on the switch or energising machines that have the switch on invites accidents.
- **Remove any adjusting key or wrench before turning the machine on.** A wrench or a key left attached to a rotating part of the machine may result in personal injury.
- **Do not overreach. Keep proper footing and balance at all times.** This enables better control of the machine in unexpected situations.
- **Dress properly. Do not wear loose clothing or jewellery. Keep your hair and clothing away from moving parts.** Loose clothes, jewellery or long hair can be caught in moving parts.
- **If devices are provided for the connection of dust extraction and collection facilities, ensure these are connected and properly used.** Use of dust collection can reduce dust-related hazards.
- **Do not let familiarity gained from frequent use of machines allow you to become complacent and ignore machine safety principles.** A careless action can cause severe injury within a fraction of a second.

### MACHINE USE AND CARE

- **Do not force the machine. Use the correct machine for your application.** The correct machine will do the job better and safer at the rate for which it was designed.
- **Do not use the machine if the switch does not turn it on and off.** Any machine that cannot be controlled with the switch is dangerous and must be repaired.

- **Disconnect the plug from the power source and/ or remove the battery pack, if detachable, from the machine before making any adjustments, changing accessories, or storing machines.** Such preventive safety measures reduce the risk of starting the machine accidentally.
- **Store idle machines out of the reach of children and do not allow persons unfamiliar with the machine or these instructions to operate the machine.** Machines are dangerous in the hands of untrained users.
- **Maintain machines and accessories. Check for misalignment or binding of moving parts, breakage of parts and any other condition that may affect the machine's operation. If damaged, have the machine repaired before use.** Many accidents are caused by poorly maintained machines.
- **Keep cutting machines sharp and clean.** Properly maintained cutting machines with sharp cutting edges are less likely to bind and are easier to control.
- **Use the machine, accessories and machine bits etc. in accordance with these instructions, taking into account the working conditions and the work to be performed.** Use of the machine for operations different from those intended could result in a hazardous situation.
- **Keep handles and grasping surfaces dry, clean and free from oil and grease.** Slippery handles and grasping surfaces do not allow for safe handling and control of the machine in unexpected situations.

#### BATTERY MACHINE USE AND CARE

- **Recharge only with the charger specified by the manufacturer.** A charger that is suitable for one type of battery pack may create a risk of fire when used with another battery pack.
- **Use machines only with specifically designated battery packs.** Use of any other battery packs may create a risk of injury and fire.
- **When battery pack is not in use, keep it away from other metal objects, like paper clips, coins, keys, nails, screws or other small metal objects, that can make a connection from one terminal to another.** Shorting the battery terminals together may cause burns or a fire.
- **Under abusive conditions, liquid may be ejected from the battery; avoid contact. If contact accidentally occurs, flush with water. If liquid contacts eyes, additionally seek medical help.** Liquid ejected from the battery may cause irritation or burns.
- **Do not use a battery pack or machine that is damaged or modified.** Damaged or modified batteries may exhibit unpredictable behaviour resulting in fire, explosion or risk of injury.
- **Do not expose a battery pack or machine to fire or excessive temperature.** Exposure to fire or temperature above 130 °C may cause explosion.
- **Follow all charging instructions and do not charge the battery pack or machine outside the temperature range specified in the instructions.** Charging improperly or at temperatures outside the specified range may damage the battery and increase the risk of fire.

#### SERVICE

- **Have your machine serviced by a qualified repair person using only identical replacement parts.** This will ensure that the safety of the machine is maintained.
- **Never service damaged battery packs.** Service of battery packs should only be performed by the manufacturer or authorized service providers.

#### SAFETY WARNINGS FOR POWER HEAD

- **This power head PHA7400E may be used with only the following EGO attachments or subsequently introduced by EGO for use with this power head:**

ATTACHMENT TYPE	MODEL NUMBER
Earth Auger Bit	ETA0800E
Ice Auger Bit	ITA0800E

- **Replace augers if cracked, bent, or damaged in any way.** Operating the machine with a damaged auger can result in serious injury.
- **Never use the auger with the handles above waist level.** This restricts control of the auger and may increase the risk of injury.
- **Hold the machine with both hands at the intended handles.** Loss of control can cause personal injury.
- **Hold the machine by insulated gripping surfaces, when performing an operation where the digging accessory may contact hidden wiring.** Digging accessory contacting a "live" wire may make exposed metal parts of the machine "live" and could give the operator an electric shock.
- **To reduce the risk of electrocution, never use the auger near any buried electrical power cables.** Contact with or use near buried electrical power cables may cause serious injury or electric shock resulting in death.

- **Always start the machine at low speed and with the auger bit tip in contact with the ground.** At higher speeds, the bit is likely to bend if allowed to rotate freely without contacting the ground, resulting in personal injury.
- **Apply pressure only in direct line with the bit and do not apply excessive pressure.** Bits can bend causing breakage or loss of control, resulting in personal injury.
- **Always be sure you have a firm footing.** Be sure no one is below when using the machine in high locations.
- **Hold the machine firmly.**
- **Keep hands away from rotating parts.**
- **Do not leave the machine running. Operate the machine only when hand-held.**
- **Do not touch the auger bit immediately after operation.** It may be extremely hot and could burn your skin.
- **If something is wrong with the machine, such as abnormal sounds, stop operating immediately and contact your local service center for repair.**
- **To reduce the risk of explosion, never use the auger near any buried gas lines, including water lines and pipes.** Contact with or use near buried water or gas lines may result in bursting of water lines and explosion from gas lines which may cause serious injury or death.
- **Never operate at higher speed than the maximum speed rating of the auger bit.** At higher speeds, the bit is likely to bend if allowed to rotate freely without contacting the workpiece, resulting in personal injury.
- **Battery-operated machines do not have to be plugged into an electrical outlet; therefore, they are always in operating condition. Be aware of possible hazards even when the machine is not operating.** Take care when performing maintenance or service.
- **Do not wash with a hose; avoid getting water in motor and electrical connections.**
- **The ice blades are very sharp. Use extreme caution when drilling a hole or replacing the blades. Put the blade guard on after each use.**
- **Frequently check and ensure that the locking screw is secured in place.**

**SAVE THESE INSTRUCTIONS.** Refer to them frequently and use them to instruct others who may use this machine. If you lend someone this machine, lend them these instructions also to prevent misuse of the product and possible injury.

## SPECIFICATIONS

Voltage		56 V
Torque		74 Nm
No-load Speed (n <sub>p</sub> )	Forward	Low: 0-150 /min High: 0-210 /min
	Reverse	100 /min
Weight (Without battery pack)		10.2 kg

## PACKING LIST (FIG. A1)

### DESCRIPTION

#### KNOW YOUR POWER HEAD (Fig. A1)

1. Left Handle
2. Right Handle
3. Rotation Direction/Speed Selector
4. Lock-off Button
5. Variable-Speed Trigger Switch
6. Battery-Release Button
7. LED Indicator
8. Power Head
9. Battery Pack Port
10. Socket Wrench (10 mm)
11. Allen Key (5 mm)

### ASSEMBLY

#### INSTALLING THE HANDLES

1. With the battery pack port facing backward, insert the tubes of the right and left handles into the curved slots on the power head base (Fig. B1).
2. Align the two holes in each handle tube with the two holes in each base slot.

**NOTE:** Incorrect right/left installation of the handles will prevent these holes from aligning.

3. Use 8 sets of bolts, washers, and nuts to secure the handles to the power head. Use the wrench and 5 mm Allen key to tighten them securely (Fig. B2).
4. Align the arrow on the right handle cable with the arrow on the power head cable. Then insert the cable plug of the right handle into the cable socket of the power head. Tighten them securely (Fig. B2).

**NOTICE:** To prevent cable damage do not bend or twist it during assembly.

B1-1	Right Handle	B1-2	Left Handle
B1-3	Battery Pack Port	B2-1	Bolt
B2-2	Washer	B2-3	Nut
B2-4	Cable Plug	B2-5	Cable Socket

### INSTALLING A POWER HEAD ATTACHMENT

**⚠ WARNING:** Read and understand entire Operator's Manual for each optional attachment used on this power head and follow all warnings and instructions. Failure to follow all instructions could result in electric shock, fire and/or serious personal injury.

**⚠ WARNING:** This 56 V power head PHA7400E is designed to be used only with the EGO attachment models that are specified in this Operator's Manual or subsequently introduced by EGO for use with this power head. Use of other, unauthorized attachments could cause serious personal injuries or property damage.

**⚠ WARNING:** Never install, remove, or adjust any attachment while the power head is running or with the battery installed. Failure to stop the motor and remove the battery can cause serious personal injury. **NEVER OPERATE THE POWER HEAD WITHOUT AN ATTACHMENT.**

## OPERATION

### ATTACHING/DETACHING THE BATTERY PACK

Use only with EGO's battery packs and chargers listed in Fig. A2.

#### Fully charge before first use.

#### To attach

Align the battery ribs with the mounting slots and press the battery pack down until you hear a "click" (Fig. C1).

#### To detach

Depress the battery-release button and pull the battery pack out (Fig. C2).

C1-1	Mounting Slot	C1-2	Rib
C2-1	Battery-Release Button		

### STARTING/STOPPING THE POWER HEAD (Fig. D)

- **To turn the power head on,** press and hold the lock-off button and then squeeze variable-speed trigger switch. Release the lock-off button and continue to squeeze the trigger switch for continued operation.

**NOTE:** The variable-speed trigger switch delivers higher speed with increased trigger pressure and lower speed with decreased trigger pressure.

- **To turn the power head off,** release the trigger switch and allow the auger bit to come to a complete stop.

D-1	Lock-off Button	D-2	Variable-speed Trigger Switch
-----	-----------------	-----	-------------------------------

### SELECTING ROTATION DIRECTION AND SPEED (Fig. E)

Hold the right handle with your right hand.

- Push the selector to the "2" position to activate forward rotation at high speed.
- Push the selector to the "1" position to activate forward rotation at low speed.
- Push the selector to the "R" position to activate reverse rotation.

**NOTE:** Switching direction of rotation between forward and reverse is only possible when the power head is stopped.

**NOTE:** The forward speed adjustment could be achieved at any time, regardless if the power head is started or stopped.

E-1	Rotation Direction / Speed Selector
-----	-------------------------------------

## STATUS INDICATOR

The power head of the auger features an LED status indicator to display the working status of the machine. The LED indicator will illuminate only when the power head is started.

LED STATUS INDICATOR	WORKING CONDITION	ACTION
Solid green	The power head works properly.	Normal operation. No action needed.
Solid red	The power head is overloaded.	Release the trigger, lift the auger from the hole and check for the causes of overload. You may need to find an alternative place to dig if a large obstruction has caused the machine to stop.  If the problem can not be solved, contact EGO customer service for repair.
	The power head is too cold.	Release the trigger. Bring the auger indoors to warm it up.
Solid orange	Anti-kickback protection.	Release the trigger, lift the auger from the hole. Restart the auger and gently lower it back into the hole.
Flashing red	The battery pack charge is nearly depleted.	Charge the battery pack.
Flashing orange	The power head is overheated.	Stop the auger and wait for some time to cool the auger.
Flashing green and red alternately.	Communication fault.	Contact EGO customer service for repair.
No light.	If the LED indicator on the battery pack flashes orange or shines red, the battery pack is overheated.	Allow the battery pack to cool down and restart the auger again.
	Other electronics error.	Contact EGO customer service for repair.

## MAINTENANCE

**⚠ WARNING:** To prevent serious personal injury, remove the battery pack from the product before servicing, cleaning, changing attachments, or removing material from the unit.

### GENERAL MAINTENANCE

Avoid using solvents when cleaning plastic parts. Most plastics are susceptible to damage from various types of commercial solvents and may be damaged by their use. Use a clean cloth to remove dirt, dust, oil, grease, etc.

**⚠ WARNING:** Do not at any time allow brake fluids, gasoline, petroleum-based products, penetrating oils, etc. to come in contact with plastic parts. Chemicals can damage, weaken or destroy plastic which may result in serious personal injury.

## STORING THE POWER HEAD

1. Remove the battery pack from the power head.
2. Clean the power head thoroughly before storing it.
3. Store the power head in a dry, well-ventilated area, locked-up or up high, out of the reach of children. Do not store the power head on or adjacent to fertilizers, gasoline, or other chemicals.

## PROTECTING THE ENVIRONMENT



Do not dispose of electrical equipment, used battery and charger into household waste! Take this product to an authorized recycler and make it available for separate collection. Electric tools must be returned to an environmentally compatible recycling facility.



EN

## **TROUBLESHOOTING**

See the applicable attachment's operator's manual.

## **WARRANTY**

### **EGO WARRANTY POLICY**

Please visit the website [egopowerplus.eu](http://egopowerplus.eu) for full terms and conditions of the EGO Warranty policy.

## LESEN SIE ALLE ANWEISUNGEN!



### LESEN SIE DIE BETRIEBSANLEITUNG

**⚠️ WARNUNG:** Um die Sicherheit und Zuverlässigkeit zu gewährleisten, sollten alle Reparaturen nur von qualifizierten Servicetechnikern durchgeführt werden.

## WARNSYMBOLLE

Der Zweck von Warnsymbolen besteht darin, Ihre Aufmerksamkeit auf mögliche Gefahren zu lenken. Die Warnsymbole und deren Erklärungen verdienen Ihre vollste Aufmerksamkeit und Beachtung. Durch die Warnsymbole allein sind die Gefahren noch nicht ausgeschaltet. Die Anweisungen und Warnhinweise stellen keinen Ersatz für angemessene Unfallverhütungsmaßnahmen dar.

**⚠️ WARNUNG:** Vor der Benutzung der Maschine sollten Sie alle Sicherheitsanweisungen in dieser Bedienungsanleitung gelesen und verstanden haben. Das gilt auch für die Hinweise „GEFAHR“, „WARNUNG“ und „VORSICHT“. Die Nichtbeachtung der aufgeführten Hinweise kann zu Stromschlägen, Bränden und/oder schweren Verletzungen führen.

## SICHERHEITSHINWEISE

Auf dieser Seite werden die Warnsymbole vorgestellt und beschrieben, die sich unter Umständen an dem Gerät befinden. Vor dem Zusammenbau und der Inbetriebnahme müssen sämtliche Anweisungen am Gerät gelesen und genau befolgt werden.



Sicherheitshinweis



Um das Verletzungsrisiko zu verringern, muss der Benutzer die Bedienungsanleitung lesen.



Gehörschutz tragen



Augenschutz tragen



Elektrische Altgeräte dürfen nicht im Hausmüll entsorgt werden. Bringen Sie das Gerät zu einer offiziellen Recycling-Annahmestelle.



Dieses Produkt erfüllt die einschlägigen CE-Richtlinien.



Gleichstrom



GB-Konformität beurteilt



Spannung



Kilogramm



Schutz vor Spritzwasser

## ALLGEMEINE SICHERHEITSHINWEISE FÜR MASCHINEN



**WARNUNG:** Beachten Sie alle

Sicherheitshinweise, Anweisungen, Abbildungen und technischen Daten, die dieser Maschine beiliegen.

Die Nichtbeachtung der unten aufgeführten Anweisungen kann zu Stromschlägen, Bränden und/oder schweren Verletzungen führen.

Bewahren Sie alle Warn- und Bedienungshinweise für Nachschlagezwecke auf.

### SICHERHEIT IM ARBEITSBEREICH

- Der Arbeitsbereich muss stets sauber und gut beleuchtet sein. Unaufgeräumte oder dunkle Bereiche können Unfälle provozieren.
- Das Gerät darf nicht in einer explosionsgefährdeten Atmosphäre eingesetzt werden, wie z.B. in der Nähe zündfähiger Flüssigkeiten, Benzin oder Stäube. Geräte erzeugen Funken, die Stäube oder Dämpfe entzünden können.
- Halten Sie Kinder und Schaulustige während des Gerätebetriebs fern. Ablenkungen können dazu führen, dass Sie die Kontrolle verlieren.

### ELEKTRISCHE SICHERHEIT

- Der Netzstecker des Geräts muss in die Steckdose passen. Der Netzstecker darf unter keinen Umständen modifiziert werden. Keine Adapterstecker an geerdeten Geräten benutzen. Nicht modifizierte Stecker und passende Steckdosen reduzieren die Stromschlaggefahr.
- Vermeiden Sie den Körperkontakt zu geerdeten Flächen, wie zum Beispiel Rohrleitungen, Heizkörpern, Herden und Kühlschränken. Es besteht erhöhte Stromschlaggefahr, wenn Ihr Körper geerdet ist.
- Geräte von Regen oder Nässe fernhalten. Wenn Wasser in das Gerät eindringt, besteht erhöhte Stromschlaggefahr.
- Das Netzkabel darf nicht zweckentfremdet werden. Das Netzkabel darf nicht zum Tragen, Ziehen oder Herausziehen des Elektrowerkzeugs aus der Steckdose verwendet werden. Das Netzkabel muss vor Hitze, Öl, scharfen Kanten oder beweglichen Teilen ferngehalten werden. Durch beschädigte oder verknottete Kabel besteht erhöhte Stromschlaggefahr.

- Bei Gerätebetrieb im Freien muss ein für den Außeneinsatz geeignetes Verlängerungskabel verwendet werden. Die Stromschlaggefahr verringert sich bei Gebrauch eines Netzkabels, das für den Einsatz im Freien geeignet ist.
- Wenn der Betrieb eines Geräts in feuchten Räumen unvermeidlich ist, verwenden Sie einen Fehlerstromschutzschalter. Die Verwendung eines Fehlerstromschutzschalters verringert die Gefahr eines Stromschlags.

### PERSÖNLICHE SICHERHEIT

- Seien Sie wachsam, geben Sie darauf Acht, was Sie tun, und benutzen Sie Ihren gesunden Menschenverstand beim Betrieb eines Geräts. Benutzen Sie die Maschine nicht, wenn Sie müde sind oder unter dem Einfluss von Drogen, Alkohol oder Medikamenten stehen. Ein Moment der Unachtsamkeit beim Gerätebetrieb kann zu ernsthaften Verletzungen führen.
- Tragen Sie eine persönliche Schutzausrüstung. Tragen Sie immer einen Augenschutz. Durch eine für die jeweiligen Bedingungen geeignete Schutzausrüstung wie etwa eine Staubschutzmaske, rutschfeste Schuhe, Helm oder Gehörschutz lässt sich die Verletzungsgefahr verringern.
- Ungewollten Anlauf verhindern. Vor dem Anschließen an eine Steckdose und/oder einen Akku sowie vor dem Aufnehmen oder Transportieren des Geräts immer kontrollieren, ob der Hauptschalter in ausgeschalteter Position ist. Unfälle sind vorprogrammiert, wenn Sie Geräte mit einem Finger am Hauptschalter tragen oder Elektrowerkzeuge mit eingeschaltetem Hauptschalter an eine Steckdose anschließen.
- Ziehen Sie vor dem Einschalten des Geräts Einstellschlüssel oder Schraubenschlüssel ab. Wird ein Schraubenschlüssel oder Schlüssel am rotierenden Geräteteil gelassen, besteht Verletzungsgefahr.
- Nicht überstrecken. Achten Sie stets auf einen festen Stand und halten Sie das Gleichgewicht. Dies ermöglicht in unerwarteten Situationen eine bessere Kontrolle über das Gerät.
- Tragen Sie geeignete Arbeitskleidung. Tragen Sie keine weite Kleidung oder Schmuck. Halten Sie Ihr Haar und Ihre Kleidung von beweglichen Teilen fern. Weite Kleidung, Schmuck oder langes Haar können sich in den beweglichen Teilen verfangen.



- **Wenn Komponenten zum Anschluss an eine Absauganlage und an Auffangvorrichtungen mitgeliefert werden, achten Sie darauf, dass diese ordnungsgemäß befestigt und benutzt werden.** Die Verwendung einer Staubauffangvorrichtung kann Gefahren durch Staub reduzieren.
- **Auch wenn Sie sich wegen des häufigen Gebrauchs mit dem Gerät auskennen, sollten Sie sich nicht zu einer gewissen Nachlässigkeit verleiten und die Grundsätze der Maschinensicherheit außer Acht lassen.** Eine fahrlässige Handlung kann bereits im Bruchteil einer Sekunde zu schweren Verletzungen führen.

### MASCHINENGEBRAUCH UND PFLEGE

- **Nicht zu viel Druck auf das Gerät ausüben. Stets das richtige Gerät für die jeweiligen Arbeiten benutzen.** Durch das passende Gerät lassen sich die Arbeiten besser und sicherer in dem jeweils vorgesehenen Tempo erledigen.
- **Benutzen Sie die Maschine nicht, wenn sie sich mit dem Schalter nicht ein- und ausschalten lässt.** Jede Maschine, die sich nicht mit dem Schalter bedienen lässt, ist gefährlich und muss repariert werden.
- **Ziehen Sie den Netzstecker aus der Steckdose bzw. nehmen Sie den Akku vom Gerät ab, sofern dies möglich ist, bevor Sie Einstellungen vornehmen, das Zubehör wechseln oder das Gerät verstauen.** Diese vorbeugenden Sicherheitsmaßnahmen verringern das Risiko eines unbeabsichtigten Anlaufs.
- **Unbenutzte Geräte sollten nicht in Reichweite von Kindern aufbewahrt werden. Personen, die das Gerät oder diese Anleitung nicht kennen, sollte die Benutzung des Geräts untersagt werden.** In den Händen ungeschulter Benutzer sind Geräte gefährlich.
- **Wartung von Geräten und Zubehör. Achten Sie auf falsch ausgerichtete oder fest sitzende Teile, Bruchstellen und sonstige Umstände, die den Gerätebetrieb beeinträchtigen können. Lassen Sie das Gerät bei Beschädigung vor dem Gebrauch reparieren.** Viele Unfälle entstehen durch schlecht gewartete Geräte.
- **Halten Sie Schneidegeräte scharf und sauber.** Sachgemäß gewartete Schneidegeräte mit scharfen Schneiden neigen weniger zum Festfahren und sind leichter zu kontrollieren.
- **Benutzen Sie das Gerät, Zubehör, Geräteteile usw. gemäß diesen Anweisungen und berücksichtigen Sie dabei die Arbeitsbedingungen und die auszuführenden Arbeiten.** Die Verwendung der Maschine für andere als die vorgesehenen Arbeiten kann zu einer gefährlichen Situation führen.
- **Halten Sie die Griffe und Griffflächen trocken, sauber und frei von Öl und Fett.** Rutschige Griffe und Griffflächen beeinträchtigen die sichere Handhabung des Geräts und führen in unerwarteten Situationen zum Verlust der Kontrolle über das Gerät.

### BENUTZUNG UND WARTUNG DES AKKUS

- **Laden Sie den Akku nur mit dem herstellereigenen Ladegerät auf.** Ein Ladegerät, das für einen bestimmten Akkutyp geeignet ist, kann bei der Benutzung eines anderen Akkus zu einer Brandgefahr werden.
- **Verwenden Sie das Gerät nur mit den eigens dafür vorgesehenen Akkus.** Bei Verwendung anderer Akkus besteht Verletzungs- und Brandgefahr.
- **Wenn der Akku nicht benutzt wird, halten Sie ihn von anderen metallischen Gegenständen fern, wie etwa Büroklammern, Münzen, Schlüssel, Nägel, Schrauben oder anderen kleinen Metallgegenständen, die eine Verbindung zwischen den Polen herstellen können.** Das Kurzschließen der Pole kann Verbrennungen oder Brände verursachen.
- **Bei unsachgemäßer Anwendung kann Flüssigkeit aus dem Akku austreten; Kontakt vermeiden. Falls Sie versehentlich mit Akkusäure in Berührung gekommen sind, spülen Sie mit Wasser. Falls Akkusäure in die Augen geraten ist, suchen Sie zudem einen Arzt auf.** Aus dem Akku austretende Flüssigkeit kann Reizungen oder Verätzungen verursachen.
- **Benutzen Sie keine beschädigten oder modifizierten Akkus oder Geräte.** Beschädigte oder umgebaute Akkus können sich unvorhergesehen verhalten, wodurch möglicherweise ein Brand, eine Explosion oder Verletzungen verursacht werden.
- **Akkus oder Geräte vor Feuer oder extremen Temperaturen schützen.** Brände oder Temperaturen über 130 °C können eine Explosion verursachen.
- **Befolgen Sie alle Ladeanweisungen und laden Sie den Akku oder das Gerät nicht außerhalb des Temperaturbereichs auf, der in der Anleitung angegeben ist.** Das unsachgemäße Aufladen oder Laden außerhalb des angegebenen Temperaturbereichs kann den Akku beschädigen und die Brandgefahr erhöhen.

## WARTUNG

- **Lassen Sie das Gerät nur von qualifiziertem Fachpersonal und nur mit Original-Ersatzteilen reparieren.** Dadurch wird sichergestellt, dass die Sicherheit der Maschine gewahrt bleibt.
- **Reparieren Sie unter keinen Umständen beschädigte Akkus.** Akkus sollten ausschließlich vom Hersteller selbst oder einer autorisierten Reparaturwerkstatt repariert werden.

## SICHERHEITSHINWEISE FÜR DEN KOMBIMOTOR

- **Der PHA7400E Kombimotor darf nur für die nachgenannten EGO-Anbaugeräte bzw. für Anbaugeräte verwendet werden, die später von EGO für den Einsatz an diesem Universalantrieb eingeführt werden:**

ANBAUWERKZEUG	MODELLNUMMER
Erdlochbohrer	ETA0800E
Eisbohrer	ITA0800E

- **Ersetzen Sie die Bohrer, wenn sie gerissen, verbogen oder in irgendeiner Weise beschädigt sind.** Der Betrieb der Maschine mit einem beschädigten Bohrer kann zu schweren Verletzungen führen.
- **Verwenden Sie den Bohrer niemals mit den Holmen über Hüfthöhe.** Dies schränkt die Kontrolle über den Bohrer ein und kann das Verletzungsrisiko erhöhen.
- **Halten Sie die Maschine mit beiden Händen an den dafür vorgesehenen Holmen fest.** Ein Verlust der Kontrolle kann zu Verletzungen führen.
- **Halten Sie die Maschine an den isolierten Griffflächen fest, wenn Arbeiten ausgeführt werden, bei denen das Grabwerkzeug auf verdeckte Leitungen treffen kann.** Trifft das Grabwerkzeug auf ein Strom führendes Kabel, besteht die Gefahr, dass die blanken Metallteile des Geräts ebenfalls Strom führen, sodass für den Bediener Stromschlaggefahr besteht.
- **Um die Gefahr eines Stromschlags zu verringern, verwenden Sie den Bohrer niemals in der Nähe von unterirdischen Stromkabeln.** Der Kontakt mit oder die Verwendung in der Nähe von erdverlegten Stromleitungen kann zu schweren Verletzungen oder Stromschlägen mit Todesfolge führen.
- **Starten Sie die Maschine immer mit niedriger Drehzahl. Die Spitze des Bohrers muss den Boden berühren.** Bei höheren Geschwindigkeiten kann sich der Bohrer verbiegen, wenn er sich frei drehen kann, ohne den Boden zu berühren. Dies kann zu Verletzungen führen.
- **Üben Sie Druck nur in direkter Linie mit dem Bohrer aus und wenden Sie keinen übermäßigen Druck an.** Bohrer können sich verbiegen, sodass sie brechen oder einen Kontrollverlust herbeiführen. Dadurch besteht Verletzungsgefahr.
- **Achten Sie immer darauf, dass Sie einen festen Stand haben.** Wenn Sie das Gerät an hoch gelegenen Stellen benutzen, achten Sie darauf, dass sich niemand darunter befindet.
- **Halten Sie das Gerät gut fest.**
- **Halten Sie die Hände von den rotierenden Teilen fern.**
- **Lassen Sie das Gerät nicht laufen, wenn Sie weggehen. Schalten Sie das Gerät nur ein, wenn Sie es in der Hand halten.**
- **Berühren Sie den Bohrer nicht unmittelbar nach der Arbeit.** Er kann extrem heiß sein und Ihre Haut verbrennen.
- **Wenn mit dem Gerät etwas nicht in Ordnung ist, wie z. B. ungewöhnliche Geräusche, stellen Sie den Betrieb sofort ein und wenden Sie sich zur Reparatur an Ihr örtliches Servicezentrum.**
- **Um die Explosionsgefahr zu verringern, verwenden Sie den Bohrer niemals in der Nähe von unterirdischen Gasleitungen, einschließlich Wasserleitungen und Rohren.** Der Kontakt mit oder die Verwendung in der Nähe von erdverlegten Wasser- oder Gasleitungen kann zum Bersten von Wasserleitungen und zur Explosion von Gasleitungen führen, was zu schweren Verletzungen oder zum Tod führen kann.
- **Arbeiten Sie niemals mit einer höheren Drehzahl als der maximalen Drehzahl des Bohrers.** Bei höheren Geschwindigkeiten kann sich der Bohrer verbiegen, wenn er sich frei drehen kann, ohne das Werkstück zu berühren. Dies kann zu Verletzungen führen.
- **Akkubetriebene Maschinen müssen nicht an eine Steckdose angeschlossen werden; sie sind daher immer einsatzbereit. Seien Sie sich möglicher Gefahren bewusst, selbst wenn die Maschine nicht in Betrieb ist.** Lassen Sie bei Wartungsarbeiten oder Reparaturen Vorsicht walten.

- Spritzen Sie die Maschine Gerät nicht mit einem Wasserschlauch ab. In den Motor und die elektrischen Verbindungen darf kein Wasser gelangen.
- Die Eisklingen sind sehr scharf. Seien Sie beim Bohren eines Lochs oder beim Auswechseln der Klingen äußerst vorsichtig. Bringen Sie den Klingenschutz nach jedem Gebrauch an.
- Kontrollieren Sie regelmäßig, ob die Sicherungsschraube fest sitzt.

**HEBEN SIE DIESE ANLEITUNG AUF.** Schlagen Sie gegebenenfalls darin nach und verwenden Sie sie, um andere in die Verwendung dieser Maschine einzuweisen. Falls Sie diese Maschine an andere verleihen, händigen Sie ihnen auch diese Anleitung aus, um einem Missbrauch des Geräts und möglichen Verletzungen vorzubeugen.

## TECHNISCHE DATEN

Spannung		56 V
Drehmoment		74 Nm
Leerlaufdrehzahl (n <sub>v</sub> )	Vorwärts	Niedrig: 0-150/min Hoch: 0-210/min
	Rückwärts	100/min
Gewicht (ohne Akku)		10,2 kg

## PACKLISTE (ABB. A1)

## BESCHREIBUNG

**LERNEN SIE IHREN KOMBIMOTOR KENNEN**  
(Abb. A1)

1. Linker Holm
2. Rechter Holm
3. Wahlschalter für Drehrichtung/Geschwindigkeit
4. Auslöser-Freigabeschalter
5. Drehzahl-Wahlhebel
6. Akku-Entriesselung
7. LED-Anzeige
8. Kombimotor
9. Akkuanschluss
10. Steckschlüssel (10 mm)
11. Innensechskantschlüssel (5 mm)

## MONTAGE

### MONTAGE DER HOLME

1. Führen Sie die Rohre des rechten und linken Holms in die gekrümmten Schlitz an der Basis des Kombimotors ein (Abb. B1), wobei der Anschluss des Akkus nach hinten zeigt.
2. Richten Sie die beiden Löcher in jedem Holmrohr mit den beiden Löchern in jedem Schlitz der Basis aus.  
**HINWEIS:** Eine falsche Rechts-/Linksmontage der Holme verhindert, dass diese Löcher aufeinander ausgerichtet sind.
3. Verwenden Sie 8 Sätze Schrauben, Unterlegscheiben und Muttern, um die Holme am Kombimotor zu befestigen. Verwenden Sie den Schraubenschlüssel und den 5-mm-Innensechskantschlüssel, um sie fest anzuziehen (Abb. B2).
4. Richten Sie den Pfeil am rechten Holmkabel auf den Pfeil am Kabel des Kombimotors aus. Stecken Sie dann den Kabelstecker des rechten Holms in die Kabelbuchse des Kombimotors. Ziehen Sie sie fest an (Abb. B2).

**HINWEIS:** Um eine Beschädigung des Kabels zu vermeiden, darf es bei der Montage nicht geknickt oder verdreht werden.

B1-1	Rechter Holm	B1-2	Linker Holm
B1-3	Akkuanschluss	B2-1	Schraube
B2-2	Unterlegscheibe	B2-3	Mutter
B2-4	Kabelstecker	B2-5	Kabelbuchse

### ANBAUGERÄT AM UNIVERSALANTRIEB MONTIEREN

**⚠️ WARNUNG:** Lesen Sie für jedes mit diesem Kombimotor verwendete optionale Anbauwerkzeug dessen Betriebsanleitung vollständig durch und befolgen Sie alle Warnhinweise und Anweisungen. Die Nichtbeachtung sämtlicher Anweisungen kann zu Stromschlägen, Feuer und/oder schweren Verletzungen führen.

**⚠️ WARNUNG:** Dieser 56 V-Kombimotor PHA7400E ist ausschließlich für die EGO Anbauwerkzeuge konzipiert, die in dieser Betriebsanleitung aufgeführt sind oder die in Zukunft von EGO zur Verwendung mit diesem Kombimotor eingeführt werden. Die Verwendung anderer nicht zugelassener Anbauwerkzeuge kann zu schweren Verletzungen oder Sachschäden führen.

**⚠️ WARNUNG:** Anbauwerkzeuge dürfen in keinem Fall bei laufendem Kombimotor oder mit eingesetztem Akku angebracht, abgenommen oder eingestellt werden. Der Motor muss ausgeschaltet und der Akku abgenommen werden, da sonst die Gefahr schwerer Verletzungen besteht. **BETREIBEN SIE DEN KOMBIMOTOR NIEMALS OHNE ANBAUWERKZEUG.**

## BETRIEB

### ANBRINGEN/ABNEHMEN DES AKKUS

Nur die in Abb. A2 aufgeführten EGO Akkus und Ladegeräte verwenden.

#### Vor dem ersten Gebrauch voll aufladen.

#### Anbringen

Die Stege am Akkugehäuse mit den Montageschienen am Gerät fluchten lassen und den Akku bis zum hörbaren Einrasten in das Gerät einführen (Abb. C1).

#### Abnehmen

Drücken Sie die Akku-Entriegelung und nehmen Sie den Akku ab (Abb. C2).

C1-1	Aufnahme	C1-2	Steg
C2-1	Akku-Entriegelung		

### KOMBIMOTOR STARTEN/STOPPEN (Abb. D)

- **Zum Starten des Kombimotors** halten Sie den Auslöser-Freigabeknopf gedrückt und drücken anschließend den Drehzahl-Wahlhebel. Lassen Sie für einen kontinuierlichen Betrieb den Auslöser-Freigabeknopf los und halten Sie den Auslöseschalter weiter gedrückt.

**HINWEIS:** Je stärker der Hauptschalter mit der variablen Drehzahlverstellung betätigt wird, desto höher ist die Drehzahl. Dementsprechend verringert sich die Drehzahl bei nachlassendem Druck des Hauptschalters.

- **Lassen Sie zum Ausschalten des Kombimotors** den Auslöseschalter los. Warten Sie, bis der Bohrer komplett zum Stillstand gekommen ist.

D-1	Auslöser-Freigabeschalter	D-2	Drehzahl-Wahlhebel
-----	---------------------------	-----	--------------------

### AUSWAHL DER DREHRICHTUNG UND DREHZAHL (Abb. E)

Halten Sie den rechten Holm mit der rechten Hand.

- Schieben Sie den Wahlschalter in die Position „2“, um den Vorwärtslauf mit hoher Geschwindigkeit zu aktivieren.
- Schieben Sie den Wahlschalter in die Position „1“, um den Vorwärtslauf mit niedriger Geschwindigkeit zu aktivieren.
- Schieben Sie den Wahlschalter in die Position „R“, um den Rückwärtslauf zu aktivieren.

**HINWEIS:** Das Umschalten der Drehrichtung zwischen Vorwärts- und Rückwärtslauf ist nur möglich, wenn der Kombimotor angehalten ist.

**ANMERKUNG:** Die Drehzahl des Vorwärtslaufs kann jederzeit eingestellt werden, unabhängig davon, ob der Kombimotor gestartet oder gestoppt ist.

E-1	Wahlschalter für Drehrichtung/Geschwindigkeit
-----	---

## STATUSANZEIGE

Der Kombimotor des Bohrers ist mit einer LED-Statusanzeige ausgestattet, die den Betriebsstatus der Maschine anzeigt. Die LED-Anzeige leuchtet nur auf, wenn der Kombimotor gestartet wird.

LED-STATUSANZEIGE	BETRIEBSZUSTAND	ABHILFE
Grünes Dauerlicht	Der Kombimotor funktioniert einwandfrei.	Normaler Betrieb. Keine Maßnahmen erforderlich.
Rotes Dauerlicht	Der Kombimotor ist überlastet.	Lassen Sie den Auslöseschalter los, heben Sie den Bohrer aus dem Loch und suchen Sie nach der Ursache der Überlastung. Möglicherweise müssen Sie eine andere Stelle zum Graben finden, wenn ein großes Hindernis die Maschine zum Stillstand gebracht hat. Wenn sich das Problem nicht beheben lässt, wenden Sie sich bitte an den EGO-Kundendienst zur Reparatur.
	Der Kombimotor ist zu kalt.	Lassen Sie den Auslöseschalter los. Bringen Sie den Bohrer zum Aufwärmen ins Haus.
Oranges Dauerlicht	Rückschlagschutz	Lassen Sie den Auslöseschalter los und heben Sie den Bohrer aus dem Loch. Starten Sie den Bohrer erneut und senken Sie ihn vorsichtig wieder in das Loch.
Rot blinkend	Der Akku ist fast leer.	Den Akku aufladen.
Orange blinkend	Der Kombimotor ist überhitzt.	Stoppen Sie den Bohrer und warten Sie einige Zeit, um ihn abzukühlen.
Abwechselnd grün und rot blinkend.	Kommunikationsfehler.	Wenden Sie sich zwecks Reparatur an den EGO-Kundendienst.
Kein Licht.	Wenn die LED-Anzeige am Akku orange blinkt oder rot leuchtet, ist der Akku überhitzt.	Lassen Sie den Akku abkühlen und starten Sie den Bohrer erneut.
	Sonstige Elektronikfehler.	Wenden Sie sich zwecks Reparatur an den EGO-Kundendienst.

## WARTUNG

**⚠️ WARNUNG:** Um schwere Eigenverletzungen zu verhindern, entfernen Sie den Akku aus dem Produkt, bevor Sie das Gerät warten, reinigen, Anbauwerkzeuge auswechseln oder Material aus dem Gerät entfernen.

### ALLGEMEINE WARTUNG

Zum Reinigen von Kunststoffteilen Lösungsmittel vermeiden. Die verschiedenen handelsüblichen Lösungsmittel greifen die meisten Kunststoffe an. Verwenden Sie saubere Lappen zum Entfernen von Schmutz, Staub, Öl, Fett usw.

**⚠️ WARNUNG:** Halten Sie unter allen Umständen Bremsflüssigkeit, Benzin, Erzeugnisse auf Erdölbasis, Kriechöle usw. von den Kunststoffteilen fern. Chemikalien können Kunststoffe angreifen, schwächen oder zerstören, was zu schweren Verletzungen führen kann.

## LAGERUNG DES KOMBIMOTORS

1. Nehmen Sie den Akku vom Kombimotor ab.
2. Reinigen Sie den Kombimotor vor der Lagerung gründlich.
3. Verstauen Sie den Kombimotor an einem trockenen, gut belüfteten Ort, der entweder verschlossen oder auf einer höheren Ebene gelegen und für Kinder nicht zugänglich ist. Der Kombimotor darf nicht auf oder neben Düngemitteln, Benzin oder anderen Chemikalien aufbewahrt werden.

## STÖRUNGSBEHEBUNG

Siehe Betriebsanleitung des jeweiligen Anbauwerkzeugs.

## GARANTIE

### EGO-GARANTIEBEDINGUNGEN

Sämtliche EGO-Garantiebedingungen finden Sie auf der Website [egopowerplus.eu](http://egopowerplus.eu).

## SCHUTZ DER UMWELT



Elektrogeräte, alte Akkus und Ladegeräte dürfen nicht im Hausmüll entsorgt werden! Das Gerät muss einer offiziellen Recycling-Sammelstelle zur getrennten Entsorgung zugeführt werden. Elektrogeräte müssen bei einem umweltfreundlichen Recycling-Betrieb abgegeben werden.

## LISEZ TOUTES LES INSTRUCTIONS!



LISEZ LE MANUEL D'UTILISATION

FR

**⚠ AVERTISSEMENT :** Pour garantir la sécurité et la fiabilité, toutes les réparations doivent être effectuées par un réparateur qualifié.

## SYMBOLE DE SECURITE

L'objectif des symboles de sécurité est d'attirer votre attention sur des dangers potentiels. Les symboles de sécurité et les explications les accompagnant doivent être lus attentivement et compris. Les symboles de mise en garde ne permettent pas par eux-mêmes d'éliminer les dangers. Les consignes et mises en garde ne se substituent pas à des mesures de prévention appropriées des accidents.

**⚠ AVERTISSEMENT :** Veillez à lire et de comprendre toutes les consignes de sécurité de ce manuel d'utilisation, y compris les symboles d'alerte de sécurité tels que « **DANGER** », « **AVERTISSEMENT** » et « **ATTENTION** » avant d'utiliser cette machine. Le non-respect de toutes les instructions énumérées ci-dessous peut entraîner un choc électrique, un incendie et / ou de graves blessures.

## CONSIGNES DE SÉCURITÉ

Cette page décrit des symboles de sécurité pouvant être présents sur ce produit. Lisez, comprenez et respectez toutes les instructions présentes sur l'outil avant d'essayer de l'assembler et de l'utiliser.



Alerte de sécurité



Pour réduire le risque de blessures, l'utilisateur doit lire la notice d'utilisation.



Porter une protection auditive



Porter une protection oculaire



Les produits électriques usagés ne doivent pas être jetés avec les ordures ménagères. Apportez-les dans un centre de recyclage agréé.



Ce produit est conforme aux directives CE applicables.



Courant continu



Conformité Royaume-Uni évaluée

V Tension

kg Kilogramme

IPX4 Protection contre les éclaboussures d'eau

## CONSIGNES DE SÉCURITÉ GÉNÉRALES POUR LA MACHINE

FR

**⚠ AVERTISSEMENT :** Lisez toutes les mises en garde, consignes, illustrations et spécifications fournies avec cette machine. Le non-respect des consignes figurant ci-dessous peut provoquer un choc électrique, un incendie et/ou de graves blessures.

Conservez tous les avertissements et consignes pour pouvoir vous y référer ultérieurement.

### SÉCURITÉ DE LA ZONE DE TRAVAIL

- Maintenez la zone de travail propre et bien éclairée. Les endroits sombres ou désordonnés augmentent les risques d'accident.
- N'utilisez pas les machines dans des atmosphères explosives, par exemple en présence de liquides, de gaz ou de poussières inflammables. Les machines génèrent des étincelles pouvant enflammer poussières et vapeurs.
- Veillez à ce que les enfants et les passants restent éloignés de la machine pendant l'utilisation. Un moment d'inattention peut vous faire perdre le contrôle de l'outil.

### SÉCURITÉ ÉLECTRIQUE

- La fiche de la machine doit correspondre à la prise électrique. Ne modifiez jamais la prise de quelque manière que ce soit. N'utilisez jamais d'adaptateur avec des machines pourvues d'une mise à la terre. Les fiches non modifiées et les prises électriques appropriées réduisent le risque de choc électrique.
- Évitez tout contact physique avec des surfaces mises à la terre ou mises à la masse, telles que tuyaux, radiateurs, fours et réfrigérateurs. Il y a un risque accru de choc électrique si votre corps est relié à la terre ou à la masse, directement ou indirectement.
- N'exposez pas les machines à la pluie ou à l'humidité. Si de l'eau pénètre dans une machine, cela accroît le risque d'électrocution.
- Prenez soin du câble d'alimentation. N'utilisez jamais le cordon d'alimentation pour porter, tirer ou débrancher la machine. Veillez à ce que le câble d'alimentation n'entre jamais en contact avec de l'huile, des pièces mobiles, des arêtes tranchantes, et ne soit jamais exposé à de la chaleur. Les câbles d'alimentation endommagés ou emmêlés augmentent le risque de choc électrique.

- Quand vous utilisez une machine en extérieur, utilisez une rallonge électrique adaptée à un usage en extérieur. L'utilisation d'une rallonge conçue pour un usage en extérieur permet de réduire le risque de choc électrique.
- Si l'utilisation d'une machine dans un endroit humide est inévitable, utilisez une source d'alimentation protégée par un disjoncteur de fuite à la terre. L'utilisation d'un tel disjoncteur réduit le risque de choc électrique.

### SÉCURITÉ DES PERSONNES

- Faites preuve de vigilance et de concentration sur ce que vous faites et exercez votre bon sens lors de l'utilisation d'une machine. N'utilisez pas une machine quand vous êtes fatigué(e), sous l'emprise de l'alcool, de stupéfiants ou de médicaments. Un moment d'inattention pendant l'utilisation d'une machine peut provoquer des blessures corporelles graves.
- Utilisez des équipements de protection individuelle. Portez toujours une protection oculaire. L'utilisation d'équipements de protection appropriés aux conditions de travail, tels qu'un masque anti-poussières, des chaussures de sécurité antidérapantes, un casque et des protections auditives, permet de réduire les risques de blessures corporelles.
- Évitez les démarrages accidentels. Vérifiez que l'interrupteur marche/arrêt est dans la position arrêt avant de brancher la machine dans une prise électrique et/ou d'insérer la batterie, de le saisir ou de le transporter. Transporter des machines avec le doigt sur l'interrupteur marche/arrêt ou mettre sous tension des machines dont l'interrupteur est activé augmente le risque d'accidents.
- Retirez toutes les clés de réglage et de serrage avant de mettre la machine en marche. Une clé de réglage ou de serrage laissée sur une pièce rotative de la machine peut provoquer des blessures corporelles.
- N'essayez pas d'atteindre des endroits difficiles d'accès. Conservez en permanence un bon appui et un bon équilibre. Cela permet un meilleur contrôle de la machine en cas de situations inattendues.
- Portez une tenue adaptée. Ne portez pas de vêtements amples ni de bijoux. Maintenez vos cheveux et vos vêtements éloignés des pièces mobiles. Les vêtements amples, les bijoux et les cheveux longs peuvent se prendre dans les pièces mobiles.



- **Si un outil est conçu pour être utilisé avec des dispositifs d'extraction et de récupération des poussières, veillez à ce que ces dispositifs soient raccordés et correctement utilisés.** L'utilisation de dispositifs de récupération des poussières permet de réduire les risques liés aux poussières.
- **Continuez à respecter les principes de sécurité même si vous vous sentez familiarisé(e) à l'utilisation de la machine.** La négligence peut provoquer de graves blessures en une fraction de seconde.

#### UTILISATION ET ENTRETIEN DE LA MACHINE

- **Ne forcez pas sur la machine. Utilisez une machine adaptée à votre travail.** L'utilisation d'une machine qui convient au travail à effectuer permet de réaliser ce travail plus efficacement, avec une sécurité accrue et au rythme pour lequel la machine a été conçue.
- **N'utilisez pas la machine si l'interrupteur ne l'allume pas et ne l'éteint pas.** Toute machine qui ne peut pas être contrôlée avec son interrupteur est dangereuse et doit être réparée.
- **Débranchez la fiche de l'alimentation électrique et/ou retirez la batterie, si amovible, de la machine avant tout réglage ou changement d'accessoire, et avant de ranger la machine.** De telles mesures de sécurité préventives réduisent le risque de démarrage accidentel de la machine.
- **Conservez la machine à l'arrêt hors de portée des enfants et ne laissez pas des personnes non familiarisées avec la machine ou les présentes consignes utiliser la machine.** Les machines sont dangereuses dans les mains d'utilisateurs non formés.
- **Entretenez les machines et les accessoires. Contrôlez la machine pour vérifier qu'aucune pièce mobile n'est grippée ou mal alignée, qu'aucune pièce n'est cassée, et pour tout autre problème qui pourrait affecter son fonctionnement. Si elle est endommagée, faites réparer la machine avant utilisation.** De nombreux accidents sont dus à des machines mal entretenues.
- **Veillez à ce que les machines de coupe restent affûtées et propres.** Des machines de coupe bien entretenues et affûtées risquent moins de se coincer et sont plus faciles à contrôler.
- **Utilisez la machine, ses accessoires, mèches/ embouts et toutes les autres pièces conformément au présent mode d'emploi, en prenant en compte les conditions d'utilisation et le travail à effectuer.** L'utilisation de la machine à d'autres finalités que celles pour lesquelles elle a été conçue peut engendrer des situations dangereuses.
- **Maintenez les poignées et surfaces de préhension propres, sèches et exemptes d'huile et de graisse.** Les poignées et surfaces de préhension glissantes ne permettent pas de tenir et de contrôler la machine de manière sûre en cas de situations inattendues.

#### UTILISATION ET ENTRETIEN DES MACHINES À BATTERIE

- **Rechargez la batterie exclusivement avec le chargeur spécifié par le fabricant.** Un chargeur adapté à un type de batterie en particulier peut présenter un risque d'incendie s'il est utilisé avec un type de batterie différent.
- **Utilisez les machines uniquement avec la batterie indiquée.** L'utilisation de toute autre batterie peut engendrer un risque de blessures et d'incendie.
- **Quand la batterie n'est pas utilisée, elle doit être rangée à l'écart d'objets métalliques, tels que les trombones, pièces de monnaie, clés, clous, vis et tous les autres petits objets métalliques pouvant mettre en contact ses bornes.** Mettre en court-circuit les bornes de la batterie peut provoquer des brûlures et un incendie.
- **Si la batterie est soumise à des conditions d'utilisation excessives, du liquide peut s'en échapper. Évitez tout contact avec ce liquide. En cas de contact accidentel, rincez à grande eau. En cas de contact avec les yeux, vous devez en outre consulter un médecin.** Le liquide qui s'échappe de la batterie peut provoquer des irritations et des brûlures.
- **N'utilisez pas une batterie ou une machine endommagée ou modifiée.** Les batteries modifiées ou endommagées peuvent avoir un comportement imprévisible provoquant un incendie, une explosion ou un risque de blessure.
- **N'exposez pas la batterie ou la machine à des flammes ou à une température excessive.** L'exposition au feu ou à des températures supérieures à 130 °C peut provoquer une explosion.
- **Respectez toutes les consignes de recharge et ne rechargez pas la batterie ou la machine hors de la plage de température spécifiée dans les consignes.** La recharge incorrecte ou à des températures hors de la plage spécifiée peut endommager la batterie et accroître le risque d'incendie.

## RÉPARATION

- **Faites réparer votre machine par un réparateur qualifié qui ne doit utiliser que des pièces de rechange identiques.** Ceci permet de garantir la sécurité de la machine.
- **Ne réparez jamais les batteries endommagées.** La réparation des batteries doit toujours être effectuée par le fabricant ou des réparateurs agréés.

## AVERTISSEMENTS DE SÉCURITÉ POUR LE BLOC MOTEUR

- **Ce bloc moteur PHA7400E doit uniquement être utilisé avec les accessoires EGO suivants ou ceux proposés ultérieurement par EGO pour une utilisation avec ce bloc moteur :**

TYPE D'EXTENSION	NUMÉRO DE MODÈLE
Tarière à terre	ETA0800E
Tarière à glace	ITA0800E

- **Remplacez les tarières si elles sont fissurées, pliées ou endommagées de quelque manière que ce soit.** Faire fonctionner la machine avec une tarière endommagée peut entraîner de graves blessures.
- **N'utilisez jamais la tarière avec les poignées au-dessus du niveau de la taille.** Cela restreint le contrôle de la tarière et peut augmenter le risque de blessure.
- **Tenez la machine des deux mains par les poignées prévues à cet effet.** Toute perte de contrôle peut provoquer des blessures.
- **Tenez la machine par ses surfaces de préhension isolées quand vous effectuez une opération pendant laquelle l'accessoire de forage pourrait entrer en contact avec un fil électrique non visible.** Si l'accessoire de forage entre en contact avec un câble électrique sous tension, les parties métalliques de l'outil peuvent se retrouver sous tension et l'opérateur risque de subir un choc électrique.
- **Afin de réduire le risque d'électrocution, n'utilisez jamais la tarière à proximité de câbles électriques enterrés.** Le contact avec ou l'utilisation à proximité de câbles électriques enterrés peut provoquer de graves blessures ou un choc électrique potentiellement mortel.
- **Démarrez toujours la machine à basse vitesse et avec la pointe de la tarière en contact avec le sol.** A une vitesse trop élevée, le foret est susceptible de se courber s'il tourne librement sans toucher le sol, entraînant des blessures corporelles.
- **Exercez une pression uniquement dans l'axe du foret et ne l'exercez pas de manière excessive.** Les forets peuvent se courber et se briser ou entraîner une perte de contrôle de l'appareil pouvant mener à des blessures corporelles.
- **Faites toujours attention à vos appuis.** Assurez-vous que personne ne se trouve en dessous lorsque vous utilisez la machine dans des endroits en hauteur.
- **Tenez solidement la machine.**
- **Gardez les mains à distance des pièces en rotation.**
- **Ne laissez pas la machine en marche. Utilisez la machine uniquement tenue à la main.**
- **Ne touchez pas la tarière immédiatement après le travail.** Il peut être extrêmement chaud et brûler votre peau.
- **Si quelque chose ne va pas avec la machine (ex : bruits anormaux), arrêtez immédiatement de l'utiliser et contactez votre centre de service local pour réparation.**
- **Afin de réduire le risque d'explosion, n'utilisez jamais la tarière à proximité de conduites de gaz enterrées, y compris les conduites d'eau et les canalisations.** Le contact avec ou l'utilisation à proximité de conduites d'eau ou de gaz enterrées peut entraîner l'éclatement des conduites d'eau et l'explosion des conduites de gaz avec un risque de blessures graves voire mortelles.
- **Ne percez jamais à une vitesse supérieure à la vitesse maximale de la tarière.** A une vitesse trop élevée, le foret est susceptible de se courber s'il tourne librement sans toucher la pièce, entraînant des blessures corporelles.
- **Les machines alimentées par batterie n'ont pas à être branchées sur une prise de courant, elles sont donc toujours prêtes à l'emploi. Soyez conscient des dangers potentiels même lorsque la machine n'est pas en marche.** Faites attention pendant l'entretien ou la réparation.
- **Ne lavez pas l'outil avec un tuyau.** Évitez que de l'eau ne pénètre dans le moteur et sur les connexions électriques.
- **Les lames à glace sont très tranchantes. Soyez extrêmement prudent lorsque vous forez des trous ou remplacez les lames. Remettez le protège-lame après chaque utilisation.**
- **Vérifiez fréquemment que la vis de verrouillage est bien montée en place.**

**CONSERVEZ CE MANUEL D'UTILISATION.** Consultez-la fréquemment et servez-vous-en pour informer les autres personnes souhaitant utiliser cette machine. Si vous prêtez cette machine à un tiers, prêtez-lui également ce manuel d'utilisation pour éviter l'utilisation incorrecte du produit et des blessures potentielles.

## SPÉCIFICATIONS

Tension		56 V
Couple		74 Nm
Régime à vide ( $n_0$ )	Marche avant	Basse : 0-150 tr/min. Haut : 0-210 tr/min.
	Marche arrière	100 tr/min.
Poids (sans la batterie)		10,2 kg

## CONTENU DE L'EMBALLAGE (FIG. A1)

### DESCRIPTION

#### DESCRIPTION DU BLOC MOTEUR (Fig. A1)

- Poignée gauche
- Poignée droite
- Sélecteur de sens de rotation/vitesse
- Bouton de déverrouillage
- Interrupteur-gâchette de vitesse variable
- Bouton de déverrouillage de la batterie
- Voyant LED
- Bloc moteur
- Port de la batterie
- Clé à douille (10 mm)
- Clé Allen (5 mm)

### ASSEMBLAGE

#### INSTALLATION DES POIGNÉES

- Avec le port de la batterie orienté vers l'arrière, insérez les tubes des poignées droite et gauche dans les fentes incurvées de la base du bloc moteur (Fig. B1).
- Alignez les deux trous de chaque tube de poignée avec les deux trous de chaque fente de base.  
**REMARQUE :** Une inverse droite/gauche des poignées empêche l'alignement de ces trous.
- Utilisez 8 jeux de boulons, rondelles et écrous pour fixer les poignées au bloc moteur. Serrez-les bien à l'aide de la clé et de la clé Allen 5 mm (Fig. B2).

- Alignez la flèche sur le câble de la poignée droite avec la flèche sur le câble du bloc moteur. Insérez ensuite la fiche du câble de la poignée droite dans la prise du bloc moteur. Serrez-les bien (Fig. B2).

**REMARQUE :** Afin d'éviter d'endommager le câble, ne le pliez pas et ne le tordez pas pendant l'assemblage.

B1-1	Poignée droite	B1-2	Poignée gauche
B1-3	Port de la batterie	B2-1	Boulon
B2-2	Rondelle	B2-3	Écrou
B2-4	Fiche de câble	B2-5	Prise de câble

#### INSTALLATION D'UN BLOC MOTEUR

**⚠ AVERTISSEMENT :** Vous devez lire et comprendre l'intégralité du mode d'emploi de chaque accessoire en option utilisé sur ce bloc moteur et respecter l'ensemble des consignes et avertissements. Le non-respect de l'intégralité des consignes peut provoquer une électrocution, un incendie et/ou des blessures corporelles graves.

**⚠ AVERTISSEMENT :** Ce bloc moteur 56 V PHA7400E est conçu pour être utilisée uniquement avec les modèles d'accessoires EGO spécifiés dans le présent mode d'emploi ou présentés ultérieurement par EGO pour être utilisés avec ce bloc moteur. L'utilisation d'autres extensions non autorisées est susceptible d'entraîner des blessures corporelles graves ou d'endommager des biens.

**⚠ AVERTISSEMENT :** N'essayez en aucun cas d'installer, d'enlever ou de régler un accessoire quand le bloc moteur est en marche ou quand la batterie est installée. Ne pas éteindre le moteur et ne pas retirer la batterie peut provoquer des blessures corporelles graves. **N'UTILISEZ JAMAIS LE BLOC MOTEUR SANS UN ACCESSOIRE.**

## FONCTIONNEMENT

### INSERTION / RETRAIT DE LA BATTERIE

Utilisez exclusivement les batteries et les chargeurs EGO listés au schéma A2.

#### Rechargez complètement la batterie avant la première utilisation.

#### Pour attacher la batterie

Alignez les arêtes de la batterie sur les rainures d'assemblage et poussez la batterie vers le bas jusqu'à entendre un déclic (Fig. C1).

#### Pour retirer la batterie

Appuyez sur le bouton de déverrouillage de la batterie et retirez la batterie hors de l'outil (Fig. C2).

C1-1	Rainure d'assemblage	C1-2	Arête
C2-1	Bouton de déverrouillage de la batterie		

### DÉMARRAGE/ARRÊT DU BLOC MOTEUR (Fig. D)

- **Pour allumer le bloc moteur**, appuyez et maintenez le bouton de verrouillage, puis appuyez sur la gâchette à vitesse variable. Relâchez le bouton de déverrouillage et continuez d'appuyer sur la gâchette pour utiliser l'outil.

**REMARQUE :** L'interrupteur-gâchette à vitesse variable offre une vitesse plus élevée avec une pression de déclenchement accrue et une vitesse plus faible avec une pression de déclenchement réduite.

- **Pour éteindre le bloc moteur**, relâchez la gâchette et laissez la tarière s'arrêter complètement.

D-1	Bouton de déverrouillage	D-2	Gâchette à vitesse variable
-----	--------------------------	-----	-----------------------------

### SÉLECTION DU SENS DE ROTATION ET DE LA VITESSE (Fig. E)

Tenez la poignée droite de la main droite.

- Mettez le sélecteur sur la position 2 pour activer la rotation en marche avant à grande vitesse.
- Mettez le sélecteur sur la position 1 pour activer la rotation en marche avant à basse vitesse.
- Mettez le sélecteur sur la position R pour activer la rotation en marche arrière.

**REMARQUE :** Le changement de sens de rotation entre la marche avant et la marche arrière n'est possible que lorsque le bloc moteur est à l'arrêt.

**REMARQUE :** La vitesse d'avancement peut être changée à tout moment, que le bloc moteur soit démarré ou arrêté.

E-1	Sélecteur de sens de rotation/vitesse
-----	---------------------------------------

## INDICATEUR DE STATUT

Le bloc moteur de la tarière est doté d'un témoin LED qui affiche le statut de fonctionnement de la machine. Le témoin LED s'allume uniquement lorsque le bloc moteur est démarré.

FR

TÉMOIN LED DE STATUT	CONDITIONS DE TRAVAIL	ACTION
S'allume en vert	Le bloc moteur fonctionne correctement.	Fonctionnement normal. Aucune action n'est nécessaire.
Rouge fixe	Le bloc moteur est surchargé.	Relâchez la gâchette, sortez la tarière du trou et vérifiez les causes de la surcharge. Vous devrez peut-être rechercher un autre endroit pour forer si une obstruction importante a provoqué l'arrêt de la machine.  Si le problème ne peut pas être résolu, contactez le service client EGO pour réparation.
	Le bloc moteur est trop froid.	Relâchez l'interrupteur-gâchette. Apportez la tarière à l'intérieur pour la réchauffer.
S'allume en orange	Protection anti-rebond.	Relâchez la gâchette, sortez la tarière du trou. Redémarrez la tarière et abaissez-la doucement dans le trou.
Clignote en rouge	La batterie est presque épuisée.	Rechargez le bloc de batterie.
Clignote en orange	Le bloc moteur est en surchauffe.	Arrêtez la tarière et attendez un moment pour la laisser refroidir.
Clignote en vert et en rouge alternativement.	Erreur de communication.	Contactez le service client EGO pour la réparation.
Lampe éteinte.	Si le témoin LED de la batterie clignote en orange ou brille en rouge, la batterie est en surchauffe.	Laissez la batterie refroidir et redémarrez la tarière.
	Autre erreur électronique.	Contactez le service client EGO pour la réparation.

## ENTRETIEN

**⚠ AVERTISSEMENT :** Afin d'éviter des blessures corporelles graves, retirez la batterie de l'appareil avant toute opération de réparation, nettoyage, changement d'accessoires ou de retrait de matières de l'outil.

### ENTRETIEN GÉNÉRAL

N'utilisez pas de solvant pour nettoyer les pièces en plastique. La plupart des plastiques peuvent être détériorés par de nombreux types de solvants vendus dans le commerce. Utilisez un chiffon propre pour enlever les saletés, les poussières, l'huile, la graisse, etc.

**⚠ AVERTISSEMENT :** Veillez à ce que les pièces en plastique n'entrent jamais en contact avec du liquide de frein, de l'essence, des produits à base de pétrole, du dégrissant, etc. Les produits chimiques peuvent endommager, fragiliser ou détruire les pièces en plastique, ce qui peut provoquer des blessures corporelles graves.

FR

## RANGEMENT DU BLOC MOTEUR

1. Retirez la batterie du bloc moteur.
2. Nettoyez soigneusement le bloc moteur avant de le ranger.
3. Rangez le bloc moteur dans un endroit sec, bien aéré, fermé à clé ou en hauteur et hors de portée des enfants. Ne rangez pas le bloc moteur sur ou à côté d'engrais, d'essence ou d'autres substances chimiques.

## PROTECTION DE L'ENVIRONNEMENT



Ne jetez pas les équipements électriques, les batteries et les chargeurs usagés avec les ordures ménagères ! Apportez ce produit chez un recycleur agréé et rendez-le disponible pour une collecte séparée. Les outils électriques doivent être amenés dans un centre de recyclage pour assurer le respect de l'environnement.

## GUIDE DE DÉPANNAGE

Consultez le manuel d'utilisation de l'extension correspondante.

## GARANTIE

### POLITIQUE DE GARANTIE EGO

Rendez-vous sur le site web [egopowerplus.eu](http://egopowerplus.eu) pour consulter l'intégralité des conditions de la politique de garantie EGO.

## ¡LEA TODAS LAS INSTRUCCIONES!



LEA EL MANUAL DEL USUARIO

ES

**⚠ ADVERTENCIA:** Para garantizar la seguridad y fiabilidad de la herramienta, las reparaciones debe realizarlas únicamente un técnico cualificado.

## SÍMBOLO DE SEGURIDAD

El propósito de los símbolos de seguridad es atraer su atención hacia posibles peligros. Los símbolos de seguridad y las explicaciones que los acompañan requieren su máxima atención y comprensión. Por sí solos, los símbolos de advertencia no eliminan los posibles peligros. Las instrucciones y advertencias que proporcionan no sustituyen a las medidas adecuadas de prevención de accidentes.

**⚠ ADVERTENCIA:** Asegúrese de haber leído y entendido perfectamente todas las instrucciones que aparecen en este manual del usuario, incluidos todos los símbolos de aviso sobre seguridad, como «PELIGRO», «ADVERTENCIA» y «PRECAUCIÓN» antes de utilizar esta máquina. Si no se observan todas las instrucciones que se indican a continuación existe riesgo de incendio, electrocución y lesiones graves.

## PRECAUCIONES DE SEGURIDAD

Esta página muestra y describe los símbolos de seguridad que puede haber en este producto. Antes del montaje y utilización del producto, asegúrese de leer, comprender y seguir todas las instrucciones que están en la máquina.



Aviso de seguridad



Para reducir el riesgo de lesiones, el usuario debe leer el manual de instrucciones.



Utilizar protección auditiva



Utilizar protección ocular



Los productos eléctricos no deben eliminarse con la basura doméstica. Lívelos a un centro de reciclaje autorizado.



Este producto está en conformidad con las directivas de la CE aplicables.



Corriente continua



Conformidad para el Reino Unido evaluada

V

Tensión

kg

Kilogramo

IPX4

Protección contra las salpicaduras de agua

## ADVERTENCIAS GENERALES DE SEGURIDAD DE LA MÁQUINA

ES

**⚠ ADVERTENCIA:** Lea todas las advertencias de seguridad, instrucciones, ilustraciones y especificaciones incluidas con esta máquina. Si no se cumplen todas las instrucciones que se enumeran a continuación, pueden producirse descargas eléctricas, incendios o lesiones graves.

Conserve todas las instrucciones y advertencias para poder consultarlas en el futuro.

### SEGURIDAD EN LA ZONA DE TRABAJO

- Mantenga la zona de trabajo limpia y bien iluminada. Las áreas de trabajo desordenadas y oscuras favorecen los accidentes.
- No utilice máquinas en entornos explosivos, por ejemplo, en presencia de líquidos inflamables, gasolina o polvo. Las máquinas crean chispas que pueden encender el polvo o los humos.
- Mantenga a los niños y las demás personas alejados cuando esté utilizando una máquina. Las distracciones podrían hacerle perder el control de la herramienta.

### SEGURIDAD ELÉCTRICA

- Los enchufes de las máquinas deben coincidir con la toma de corriente. No modifique nunca el enchufe de ningún modo. Nunca utilice enchufes adaptadores o ladrones de corriente con máquinas equipadas con conexión a tierra. Utilizando enchufes no modificados y tomas de corriente adecuadas se reduce el riesgo de descarga eléctrica.
- Evite cualquier contacto corporal con superficies conectadas a tierra, como tuberías, radiadores, hornillos eléctricos y frigoríficos. Existe un mayor riesgo de descarga eléctrica si su cuerpo tiene conexión a tierra.
- No exponga las máquinas a la lluvia o a condiciones de humedad. La entrada de agua en una máquina aumentará el riesgo de descarga eléctrica.
- No maltrate el cable. Nunca utilice el cable para transportar, arrastrar, o desenchufar la máquina. Mantenga el cable alejado del calor, el aceite, los bordes afilados o las piezas móviles. Los cables dañados o enredados aumentan el riesgo de descarga eléctrica.

- Cuando use una máquina al aire libre, utilice un cable alargador adecuado para uso en exteriores. Si se usa un cable adecuado para exteriores, se reducirá el riesgo de descarga eléctrica.
- Si es inevitable usar una máquina en un entorno húmedo, utilice una alimentación con un interruptor de protección diferencial. La utilización de un interruptor de protección diferencial reducirá el riesgo de descarga eléctrica.

### SEGURIDAD PERSONAL

- Manténgase alerta, preste atención a lo que está haciendo y aplique el sentido común durante el uso de una máquina. No utilice una máquina si está cansado o se encuentra bajo los efectos de estupefacientes, alcohol o fármacos. Cualquier momento de descuido durante la utilización de máquinas podría provocar lesiones físicas graves.
- Utilice equipo de protección personal. Utilice siempre protección ocular. El equipo de protección, como máscaras antipolvo, calzado de seguridad antideslizante, casco protector o protección auditiva, cuando se utiliza adecuadamente, reduce las lesiones personales.
- Evite la puesta en marcha accidental de la herramienta. Asegúrese de que el interruptor de encendido se encuentra en la posición de apagado antes de enchufar la máquina a la red eléctrica y/o de acoplar la batería, así como al agarrar o transportar la máquina. Transportar máquinas con el dedo en el interruptor o con el interruptor en la posición de encendido aumenta el riesgo de accidente.
- Retire cualquier llave de ajuste o llave inglesa de la máquina antes de encenderla. Una llave inglesa o una llave de ajuste enganchada a una parte giratoria de la máquina puede producir lesiones.
- No se estire demasiado para alcanzar lugares de difícil acceso. Mantenga una posición firme y equilibrada en todo momento. De este modo podrá controlar mejor la máquina en situaciones inesperadas.
- Utilice ropa adecuada. No lleve ropa holgada ni joyas. Mantenga el pelo, la ropa y los guantes alejados de las piezas móviles. La ropa holgada, así como las joyas o el pelo largo podrían engancharse en las partes móviles.
- Si se incluyen dispositivos de conexión a extractores y colectores de polvo, asegúrese de conectarlos y utilizarlos adecuadamente. El uso de un colector de polvo puede reducir los riesgos asociados con el polvo.



- El hecho de haberse familiarizado con la máquina por el uso frecuente no debe hacer que se descuide e ignore los principios de seguridad de la misma. Una distracción puede provocar lesiones graves en una fracción de segundo.

#### USO Y CUIDADO DE LA MÁQUINA

- **No fuerce la máquina. Utilice la máquina correcta para su aplicación.** La máquina correcta funcionará mejor y con más seguridad a la velocidad para la que ha sido diseñada.
- **No use la máquina si el interruptor no funciona para encenderla y apagarla.** Cualquier máquina que no pueda controlarse mediante su interruptor, supondrá un peligro y deberá repararse antes de poder utilizarse.
- **Desconecte el enchufe de la toma de corriente y/o retire la batería de la máquina antes de realizar algún ajuste, cambiar de accesorios o guardarla.** Estas medidas preventivas de seguridad reducirán enormemente el riesgo de que la máquina pueda activarse de manera fortuita.
- **Cuando no se utilice la máquina, guárdela fuera del alcance de los niños y no permita que la use ninguna persona que no esté familiarizada con la máquina o con estas instrucciones.** Las máquinas son peligrosas si las usan personas sin experiencia.
- **Realice el mantenimiento de las máquinas y los accesorios. Compruebe si hay elementos móviles desalineados o trabados, piezas rotas u otra circunstancia que pueda afectar al funcionamiento de la máquina. Si la máquina está dañada, llévela a reparar antes de usarla.** Muchos accidentes se deben a un mantenimiento deficiente de las máquinas.
- **Mantenga las máquinas de corte afiladas y limpias.** Las máquinas de corte bien afiladas tienen menos probabilidades de atascarse y son más fáciles de controlar.
- **Use la máquina, los accesorios, las brocas, etc., siguiendo las instrucciones y teniendo en cuenta las condiciones de trabajo y la tarea a realizar.** El uso de la máquina para fines diferentes a los previstos podría provocar situaciones de peligro.
- **Mantenga las asas y las superficies de agarre secas, limpias y libres de aceite y grasa.** Si las asas y las superficies de agarre están resbaladizas, no se puede manejar la máquina de forma segura ni mantener el control en las situaciones inesperadas.

#### USO Y CUIDADO DE LA MÁQUINA A BATERÍA

- **Recargue únicamente con el cargador especificado por el fabricante.** Un cargador que es adecuado para un tipo de batería podría ocasionar un incendio si se utiliza con una batería distinta.
- **Utilice las máquinas solo con las baterías diseñadas específicamente para ellas.** El uso de cualquier otro tipo de batería puede provocar riesgo de lesiones e incendio.
- **Cuando no se esté utilizando la batería, manténgala apartada de objetos metálicos como clips para papeles, monedas, llaves, clavos, tornillos, o cualquier otro objeto metálico pequeño que pudiera provocar un cortocircuito en sus terminales de corriente.** Si se provoca el cortocircuito en los terminales de la batería, podrían producirse quemaduras o incendios.
- **En condiciones de uso intensivo, es posible que se produzca una fuga de líquido de la batería; evite el contacto. Enjuague con agua si se produce un contacto accidental. Si el líquido entra en contacto con los ojos, solicite también atención médica.** El líquido que emana de la batería puede provocar irritaciones o quemaduras.
- **No utilice una batería o una máquina que haya sido modificada o que esté dañada.** Las baterías dañadas o modificadas pueden tener un comportamiento impredecible y provocar un incendio, explosión o riesgo de lesiones.
- **No exponga la batería ni la máquina al fuego ni a una temperatura excesiva.** La exposición al fuego o a una temperatura superior a 130 °C podría provocar una explosión.
- **Siga todas las instrucciones de carga y no cargue la batería ni la máquina fuera del rango de temperatura especificado en las instrucciones.** Una carga incorrecta o a temperaturas fuera del rango especificado puede dañar la batería y aumentar el riesgo de incendio.

#### REPARACIONES

- **Las reparaciones de la máquina debe realizarlas un técnico cualificado, utilizando solo piezas de recambio idénticas.** Solo de este modo podrá garantizarse la seguridad de la máquina.
- **No repare nunca baterías que estén dañadas.** Las baterías solo debe repararlas el fabricante o un centro de servicio técnico autorizado.

## ADVERTENCIAS DE SEGURIDAD PARA EL CONJUNTO DE MOTOR

ES

- Este conjunto de motor de PHA7400E solo puede utilizarse con los siguientes accesorios EGO o introducidos posteriormente por EGO para su uso con este conjunto de motor:

TIPO DE ACCESORIO	N.º DE MODELO
Broca de barrena de tierra	ETA0800E
Broca de barrena para hielo	ITA0800E

- Reemplace las barrenas si están agrietadas, dobladas o dañadas de alguna manera. El uso de la máquina con una barrena dañada puede provocar lesiones graves.
- Nunca utilice la barrena con las empuñaduras por encima del nivel de la cintura. Esto restringe el control de la barrena y puede aumentar el riesgo de lesiones.
- Sujete la máquina con ambas manos por las empuñaduras previstas. La pérdida de control puede causar lesiones personales.
- Sujete la máquina por las superficies de agarre aisladas en aquellos trabajos donde el accesorio de perforación pueda entrar en contacto con cables ocultos. El contacto del accesorio de perforación con un cable bajo tensión podría transmitir a las piezas metálicas expuestas de la máquina la corriente transportada por el cable, y hacer que el usuario reciba una descarga eléctrica.
- Para reducir el riesgo de electrocución, nunca utilice la barrena cerca de cables eléctricos enterrados. El contacto con cables eléctricos enterrados o su uso cerca de ellos puede provocar lesiones graves o descargas eléctricas con resultado de muerte.
- Arranque siempre la máquina a baja velocidad y con la punta de la barrena en contacto con el suelo. A velocidades más altas, es probable que la barrena se tuerza si se deja girar con libertad sin hacer contacto con el suelo, pudiendo causar alguna lesión.
- Ejerza presión solo en línea directa con la barrena y nunca aplique una presión excesiva. Las brocas pueden torcerse y ocasionar lesiones debido a una rotura o una pérdida de control.
- Asegúrese siempre de tener un apoyo firme. Asegúrese de que no haya nadie debajo cuando utilice la máquina en lugares altos.
- Sostenga la máquina firmemente.
- Mantenga las manos alejadas de las piezas giratorias.
- No deje la máquina en funcionamiento. Utilice la máquina únicamente con la mano.
- No toque la broca de la barrena inmediatamente después del uso. Puede estar extremadamente caliente y provocar quemaduras en la piel.
- Si hay algún problema con la máquina, como sonidos anormales, deje de utilizarla inmediatamente y comuníquese con su centro de servicio local para su reparación.
- Para reducir el riesgo de explosión, nunca utilice la barrena cerca de líneas de gas enterradas, incluidas líneas y tuberías de agua. El contacto o el uso cerca de líneas de agua o gas enterradas puede provocar la rotura de las líneas de agua y una explosión de las líneas de gas, lo que puede causar lesiones graves o la muerte.
- No trabaje nunca a una velocidad superior a la velocidad máxima nominal de la barrena. A velocidades más altas, es probable que la broca se tuerza si se deja girar con libertad sin hacer contacto con la pieza de trabajo, pudiendo causar alguna lesión.
- Las máquinas que funcionan a batería no hay que enchufarlas a una toma de corriente. Por lo tanto, siempre están listas para funcionar. Tenga en cuenta los posibles peligros, incluso cuando la máquina no está funcionando. Preste especial atención al efectuar reparaciones u operaciones de mantenimiento en la máquina.
- No la limpie utilizando una manguera. Evite que penetre agua en el motor y en las conexiones eléctricas.
- Las cuchillas para hielo están muy afiladas. Tenga mucho cuidado al perforar un agujero o reemplazar las cuchillas. Coloque la protección de la cuchilla después de cada uso.
- Compruebe con frecuencia para asegurarse de que el tornillo de bloqueo esté fijado en su lugar.

**GUARDE ESTAS INSTRUCCIONES.** Consúltelas con frecuencia y utilícelas para instruir a otras personas que vayan a usar esta máquina. En caso de prestar esta máquina a terceros, proporciónelas también estas instrucciones para evitar el uso incorrecto y posibles lesiones.

## ESPECIFICACIONES

Tensión		56 V
Par		74 Nm
Velocidad sin carga (n <sub>0</sub> )	Avance	Baja: 0-150/min Alta: 0-210/min
	Retroceso	100/min
Peso (sin batería)		10,2 kg

## LISTA DE CONTENIDO (FIG. A1)

### DESCRIPCIÓN

#### FAMILIARÍCESE CON EL CONJUNTO DE MOTOR (Fig. A1)

1. Empuñadura izquierda
2. Empuñadura derecha
3. Selector de dirección/velocidad de rotación
4. Botón de desbloqueo
5. Gatillo interruptor para la velocidad variable
6. Botón de liberación de la batería
7. Indicador LED
8. Conjunto de motor
9. Puerto de la batería
10. Llave de vaso (10 mm)
11. Llave Allen (5 mm)

## MONTAJE

### INSTALACIÓN DE LAS EMPUÑADURAS

1. Con el puerto de la batería orientado hacia atrás, inserte los tubos de las empuñaduras derecha e izquierda en las ranuras curvas en la base del conjunto de motor (fig. B1).
2. Alinee los dos orificios de cada tubo de las empuñaduras con los dos orificios de cada ranura de la base.

**NOTA:** La instalación incorrecta de las empuñaduras derecha/izquierda impedirá que estos orificios se alineen.

3. Utilice 8 juegos de tornillos, arandelas y tuercas para fijar las empuñaduras al conjunto de motor. Utilice la llave inglesa y la llave Allen de 5 mm para apretarlos firmemente (fig. B2).

4. Alinee la flecha en el cable de la empuñadura derecha con la flecha en el cable del conjunto de motor. A continuación, inserte el enchufe del cable de la empuñadura derecho en la conexión pare el cable del conjunto de motor. Apriételos firmemente (fig. B2).

**AVISO:** Para evitar que el cable se dañe, no lo doble ni lo retuerza durante el montaje.

B1-1	Empuñadura derecha	B1-2	Empuñadura izquierda
B1-3	Puerto de la batería	B2-1	Tornillo
B2-2	Arandela	B2-3	Tuerca
B2-4	Enchufe del cable	B2-5	Conexión para el cable

### INSTALACIÓN DE UN ACCESORIO EN EL CONJUNTO DE MOTOR

**⚠ ADVERTENCIA:** Lea y comprenda perfectamente el manual del usuario de cada accesorio opcional utilización con este conjunto de motor y respete todas las advertencias e instrucciones. Si no se siguen todas las instrucciones, podría producirse una descarga eléctrica, un incendio o lesiones graves.

**⚠ ADVERTENCIA:** Este conjunto de motor de 56 V PHA7400E está diseñado para su uso únicamente con los modelos de accesorios de EGO especificados en este manual del usuario o comercializados en el futuro por EGO para su uso con este conjunto de motor. La utilización de otros accesorios no autorizados podría provocar lesiones graves o daños materiales.

**⚠ ADVERTENCIA:** No instale, retire o ajuste nunca ningún accesorio mientras el conjunto de motor esté funcionando o con la batería instalada. Si no se apaga el motor y se retira la batería pueden producirse lesiones graves. **NO UTILICE NUNCA EL CONJUNTO DE MOTOR SIN NINGÚN ACCESORIO.**

## FUNCIONAMIENTO

### INSTALACIÓN/RETIRADA DE LA BATERÍA

Utilice únicamente los modelos de baterías y cargadores de EGO indicados en la fig. A2.

**Cargue totalmente la batería antes de usarla por primera vez.**

### Instalación

Alinee las nervaduras de la batería con las ranuras de montaje y presione la batería hacia abajo hasta que escuche un «clic» (fig. C1).

### Retirada

Pulse el botón de liberación de la batería y saque la batería tirando de ella (fig. C2).

C1-1	Ranura de montaje	C1-2	Nervadura
C2-1	Botón de liberación de la batería		

### ARRANQUE/PARADA DEL CONJUNTO DE MOTOR (Fig. D)

- **Para encender el conjunto de motor**, mantenga pulsado el botón de desbloqueo y, a continuación, apriete el gatillo interruptor para la velocidad variable. Suelte el botón de desbloqueo y continúe apretando el gatillo interruptor para seguir utilizando la sierra de manera continua.

**NOTA:** El gatillo interruptor para la velocidad variable genera mayor velocidad al aumentar presión en el gatillo, y menor velocidad al reducir la presión en el gatillo.

- **Para apagar el conjunto de motor**, suelte el gatillo interruptor y espere a que la barrena se detenga por completo.

D-1	Botón de desbloqueo	D-2	Gatillo interruptor para la velocidad variable
-----	---------------------	-----	--

### SELECCIÓN DE LA DIRECCIÓN Y VELOCIDAD DE ROTACIÓN (Fig. E)

Sostenga la empuñadura derecha con la mano derecha.

- Empuje el selector a la posición «2» para activar la rotación hacia adelante a alta velocidad.
- Empuje el selector a la posición «1» para activar la rotación hacia adelante a baja velocidad.
- Empuje el selector a la posición «R» para activar la rotación inversa.

**NOTA:** Cambiar la dirección de rotación entre avance y retroceso solo es posible cuando el conjunto de motor está parado.

**NOTA:** El ajuste de la velocidad de avance se puede realizar en cualquier momento, independientemente de si el conjunto de motor está encendido o apagado.

E-1	Selector de dirección/velocidad de rotación
-----	---

## INDICADOR DE ESTADO

El conjunto de motor de la barrena tiene un indicador de estado LED para mostrar el estado de funcionamiento de la máquina. El indicador LED se encenderá solo cuando se arranque el conjunto de motor.

**ES**

INDICADOR LED DE ESTADO	ESTADO DE FUNCIONAMIENTO	ACCIÓN
Verde fijo	El conjunto de motor funciona correctamente.	Funcionamiento normal. No es necesaria ninguna acción.
Rojo fijo	El conjunto de motor está sobrecargado.	Suelte el gatillo, saque la barrena del orificio y averigüe las causas de la sobrecarga. Es posible que necesite encontrar un lugar alternativo para excavar si una obstrucción grande ha provocado que la máquina se detenga.  Si el problema no se puede resolver, comuníquese con el servicio de atención al cliente de EGO para su reparación.
	El conjunto de motor está demasiado frío.	Suelte el gatillo. Lleve la barrena a un espacio interior para que se caliente.
Naranja fijo	Protección antiretroceso.	Suelte el gatillo, saque la barrena del orificio. Reinicie la barrena y bájela suavemente hacia el orificio.
Parpadeando en rojo	La carga de la batería está casi agotada.	Cargue la batería.
Parpadeando en naranja	El conjunto de motor está sobrecalentado.	Pare la barrena y espere un tiempo para que se enfríe.
Parpadeando alternativamente en verde y rojo.	Fallo de comunicación.	Póngase en contacto con el servicio de atención al cliente de EGO para su reparación.
Sin luz.	Si el indicador LED de la batería parpadea en naranja o se ilumina en rojo, la batería está sobrecalentada.	Deje que la batería se enfríe y vuelva a poner en marcha la barrena.
	Otro error del sistema electrónico.	Póngase en contacto con el servicio de atención al cliente de EGO para su reparación.

## MANTENIMIENTO

**⚠ ADVERTENCIA:** Para evitar lesiones graves, quite la batería del producto antes de realizar cualquier reparación, limpieza, cambio de accesorios o de retirar acumulaciones de material cortado.

### MANTENIMIENTO GENERAL

Evite utilizar disolventes para limpiar las piezas de plástico. La mayoría de los plásticos podrían dañarse si se limpian con algunos de los tipos de disolventes disponibles en el mercado. Utilice un paño limpio para eliminar la suciedad, polvo, aceite, grasa, etc.

**⚠ ADVERTENCIA:** No permita nunca que las piezas de plástico entren en contacto con líquido de frenos, gasolina, productos derivados del petróleo, aceites penetrantes, etc. Las sustancias químicas podrían dañar, debilitar o destruir el plástico, con el consiguiente riesgo de provocar lesiones graves.

## ALMACENAMIENTO DEL CONJUNTO DE MOTOR

1. Quite el acumulador del conjunto de motor.
2. Limpie bien el conjunto de motor antes de guardarlo.
3. Guarde el conjunto de motor en un área seca y bien ventilada, bajo llave o en un lugar alto, fuera del alcance de los niños. No lo guarde encima ni cerca de fertilizantes, gasolina u otros productos químicos.

ES

## PROTECCIÓN DEL MEDIO AMBIENTE



¡No elimine aparatos eléctricos, baterías usadas ni cargadores de baterías junto con los desperdicios domésticos! Lleve este producto a un punto de reciclaje autorizado y deposítelo por separado según corresponda. Las herramientas eléctricas se deben llevar a un punto de reciclaje con el fin de proteger el medio ambiente.

## SOLUCIÓN DE PROBLEMAS

Consulte el manual del usuario del accesorio aplicable.

## GARANTÍA

### POLÍTICA DE GARANTÍA DE EGO

Visite la página web [egopowerplus.eu](http://egopowerplus.eu) para conocer los términos y condiciones completos de la política de garantía de EGO.

## LEIA TODAS AS INSTRUÇÕES!



### LEIA O MANUAL DO UTILIZADOR

**AVISO:** Para garantir a segurança e bom funcionamento, todas as reparações deverão ser efetuadas por um técnico de reparação qualificado.

PT

## SÍMBOLO DE SEGURANÇA

O objetivo dos símbolos de segurança é chamar a atenção para possíveis perigos. Os símbolos de segurança e as explicações apresentadas com eles requerem a sua atenção e compreensão. Os avisos de segurança, só por si não eliminam o perigo. As instruções e avisos dados não são substitutos para medidas de prevenção adequadas a acidentes.

**AVISO:** Certifique-se de que lê e compreende todos os avisos de segurança neste manual do utilizador, incluindo todos os símbolos de alerta de segurança, como “**PERIGO**”, “**AVISO**”, e “**CUIDADO**” antes de usar esta máquina. Não seguir todas as instruções apresentadas abaixo pode resultar em choque elétrico, incêndio e/ou ferimentos graves.

## INSTRUÇÕES DE SEGURANÇA

Esta página retrata e descreve os símbolos de segurança que podem aparecer neste produto. Leia, compreenda e siga todas as instruções na máquina antes de tentar montar e utilizar.



Alerta de segurança



De modo a reduzir os riscos de ferimentos, o utilizador deve ler o manual do utilizador.



Use proteção auditiva.



Use proteção ocular.



Os produtos elétricos residuais não deverão ser eliminados juntamente com o lixo doméstico comum. Entregue-os num centro de reciclagem autorizado.



Este produto encontra-se em conformidade com as diretivas CE aplicáveis.



Corrente direta



Avaliação de conformidade na GB

V Voltagem

kg Quilograma

IPX4 Proteção contra salpicos

## AVISOS GERAIS DE SEGURANÇA DA MÁQUINA

PT

**⚠ AVISO:** Leia todos os avisos de segurança, instruções, ilustrações e especificações fornecidas com esta máquina. Não seguir todas as instruções apresentadas abaixo pode resultar em choque elétrico, incêndio e/ou ferimentos graves.

Guarde todos os avisos e instruções para futuras referências.

### SEGURANÇA NA ÁREA DE TRABALHO

- Mantenha a área de trabalho limpa e bem iluminada. Áreas desarrumadas ou escuras são propícias a acidentes.
- Não utilize máquinas em atmosferas explosivas, tal como na presença de líquidos inflamáveis, gasolina ou pó. As máquinas produzem faíscas que podem atear o pó ou fumos.
- Mantenha as crianças e pessoas que passem afastadas enquanto utilizar uma máquina. As distrações podem fazer com que perca o controlo.

### SEGURANÇA ELÉTRICA

- A ficha tem de corresponder à tomada. Nunca modifique uma ficha de forma alguma. Não utilize qualquer adaptador com máquinas com ligação à terra. O uso de fichas não modificadas e tomadas correspondentes reduz o risco de choque elétrico.
- Evite o contacto do corpo com superfícies ligadas à terra, tais como tubos, radiadores, bases e frigoríficos. Existe um risco acrescido de choque elétrico se o seu corpo estiver ligado à terra.
- Não exponha a máquina à chuva ou humidade. A entrada de água numa máquina aumentará o risco de choque elétrico.
- Não abuse do fio. Nunca utilize o fio para transportar, puxar ou desligar a máquina. Mantenha o fio afastado do calor, óleo, arestas afiadas ou peças móveis. Fios danificados ou presos aumentam o risco de choque elétrico.
- Quando estiver a trabalhar com uma máquina ao ar livre, utilize uma extensão adequada para a utilização no exterior. A utilização de um fio adequado ao exterior reduz o risco de choque elétrico.
- Se for inevitável trabalhar com a máquina num local húmido, use um Interruptor de Circuito de Falha de Ligação à Terra (ICFLT). A utilização de um ICFLT reduz o risco de choque elétrico.

### SEGURANÇA PESSOAL

- Mantenha-se alerta, observe o que está a fazer e use senso comum quando estiver a trabalhar com uma máquina. Não utilize a máquina enquanto estiver cansado ou sob o efeito de drogas, álcool ou medicação. Um momento de falta de atenção enquanto utiliza a máquina pode dar origem a ferimentos sérios.
- Use equipamento pessoal de proteção. Use sempre proteção ocular. O equipamento de segurança, tal como máscara respiratória, calçado de segurança antiderrapante, capacete de segurança ou proteção auditiva, utilizado nas condições adequadas, reduzirá a hipótese de ferimentos.
- Evite ligações sem intenção. Certifique-se de que o interruptor se encontra na posição de desligado antes de ligar à alimentação e/ou bateria e antes de pegar ou transportar a máquina. Transportar a máquina com o seu dedo no interruptor ou fornecer energia à máquina que tenha o interruptor na posição de ligado convida a acidentes.
- Retire qualquer chave de ajuste ou chave de fendas antes de ligar a máquina. Uma chave de fendas ou uma chave deixada ligada a uma peça rotativa da máquina pode dar origem a ferimentos.
- Não se estique. Mantenha sempre a base e o equilíbrio adequados. Isso proporciona um melhor controlo da máquina em situações inesperadas.
- Vista-se adequadamente. Não use roupa larga nem joias. Mantenha o seu cabelo e roupa afastados das peças móveis. Roupas largas, joias ou cabelo comprido podem ser apanhados pelas peças em movimento.
- Se forem fornecidos dispositivos para a ligação de extração de pó e facilidades de recolha, certifique-se de que estes estão ligados e de que são devidamente utilizados. A utilização de dispositivos de extração do pó pode reduzir os perigos relacionados com o pó.
- Não permita que a familiarização ganhe com a utilização de máquinas o torne mais complacente e ignore os princípios de segurança da máquina. Uma ação descuidada pode causar graves ferimentos numa fração de segundo.



## UTILIZAÇÃO E CUIDADOS COM A MÁQUINA

- **Não force a máquina. Utilize a máquina correta para a sua aplicação.** A máquina correta fará o trabalho melhor e de forma mais segura à taxa para a qual foi concebida.
- **Não use a máquina se o interruptor não a ligar e desligar.** Qualquer máquina que não possa ser controlada pelo interruptor torna-se perigosa e tem de ser reparada.
- **Desligue a ficha da alimentação e/ou retire a bateria da máquina, se amovível, antes de fazer quaisquer ajustes, mudar de acessórios ou armazenar a máquina.** Tais medidas preventivas de segurança reduzem o risco de ligar a máquina acidentalmente.
- **Guarde a máquina desligada fora do alcance de crianças e não permita que pessoas estranhas à máquina ou a estas instruções trabalhem com a máquina.** As máquinas são perigosas nas mãos de utilizadores sem formação.
- **Proceda à manutenção das máquinas e respetivos acessórios. Verifique se existem desalinhamentos ou colagem das peças móveis, quebra de peças e qualquer outra condição que possa afetar o funcionamento da máquina. Se estiver danificada, leve a máquina para ser reparada antes da utilização.** Muitos acidentes são causados por máquinas mantidas de forma deficiente.
- **Mantenha as máquinas de corte afiadas e limpas.** Máquinas de corte devidamente mantidas e com arestas de corte afiadas têm uma menor probabilidade de prender e são mais fáceis de controlar.
- **Use a máquina, acessórios e brocas, etc., de acordo com estas instruções, tendo em conta as condições de trabalho e o trabalho a ser efetuado.** A utilização da máquina para operações diferentes das pretendidas pode resultar numa situação perigosa.
- **Mantenha as pegas e superfícies de prensão secas, limpas e sem óleo ou gordura.** Pegas e superfícies de prensão escorregadias não permitem o manuseamento seguro nem o controlo da máquina em situações inesperadas.

## UTILIZAÇÃO E CUIDADOS COM A BATERIA

- **Recarregue apenas com o carregador especificado pelo fabricante.** Um carregador que seja adequado a um tipo de bateria pode criar um risco de incêndio quando usado com outra bateria.
- **Utilize máquinas apenas com as baterias especificamente designadas.** A utilização de outras baterias pode criar um risco de ferimentos e incêndio.
- **Quando não usar a bateria, mantenha-a afastada de outros objetos de metal, como cliques de papel, moedas, chaves, pregos, parafusos ou outros pequenos objetos de metal que possam fazer a ligação entre os dois terminais.** Colocar os terminais da bateria em curto-circuito pode dar origem a queimaduras ou fogo.
- **Sob condições abusivas, pode ser ejetado líquido da bateria. Evite o contacto. Se ocorrer um contacto acidental, lave com água abundante. Se o líquido entrar em contacto com os olhos, procure ajuda médica.** O líquido ejetado da bateria pode provocar irritação ou queimaduras.
- **Não use a bateria nem a máquina se estiverem danificadas ou modificadas.** Baterias danificadas ou modificadas podem apresentar comportamentos imprevisíveis, dando origem a fogo, explosão ou risco de ferimentos.
- **Não exponha a bateria nem a máquina ao fogo ou temperatura excessiva.** A exposição ao fogo ou a temperaturas acima dos 130 °C pode causar uma explosão.
- **Siga todas as instruções de carregamento e não carregue a bateria nem a máquina a uma temperatura fora dos parâmetros especificados nas instruções.** Carregar incorretamente ou a temperaturas fora dos parâmetros especificados pode danificar a bateria e aumentar o risco de fogo.

## REPARAÇÃO

- **A reparação da sua máquina deverá ser sempre efetuada por pessoas qualificadas, utilizando apenas peças sobresselentes idênticas.** Tal irá assegurar que a segurança da máquina é mantida.
- **Nunca tente reparar uma bateria danificada.** A reparação das baterias só deverá ser efetuada pelo fabricante ou por um reparador autorizado.

## AVISOS DE SEGURANÇA PARA A CABEÇA MOTORA

PT

- Esta cabeça motora PHA7400E só pode ser usada com os seguintes acessórios EGO ou indicados pela EGO para serem usados com esta cabeça motora:

TIPO DE ACESSÓRIO	NÚMERO DO MODELO
Broca do perfurador	ETA0800E
Broca do perfurador de gelo	ITA0800E

- **Substitua os perfuradores se estiverem rachados, dobrados ou danificados de algum modo.** Utilizar a máquina com um perfurador danificado pode dar origem a ferimentos sérios.
- **Nunca use o perfurador com as pegas acima do nível da cintura.** Isto limita o controlo do perfurador e pode aumentar o risco de ferimentos.
- **Segure a máquina com ambas as mãos nas respetivas pegas.** A perda de controlo pode causar ferimentos.
- **Segure a máquina apenas através das superfícies isoladas quando executar uma operação onde o acessório de perfuração possa entrar em contacto com cabos elétricos escondidos.** O contacto do acessório de perfuração com um cabo "vivo" fará com que as peças de metal expostas da máquina deem um choque ao operador.
- **Para reduzir o risco de eletrocussão, nunca use o perfurador perto de cabos elétricos enterrados.** O contacto ou utilização perto de cabos elétricos enterrados pode causar ferimentos sérios ou choque elétrico que pode dar origem a morte.
- **Comece sempre a perfurar a baixa velocidade e com a ponta do perfurador em contacto com o chão.** Com velocidades mais elevadas, a broca pode dobrar, caso seja permitido que rode livremente sem contactar com o chão, dando origem a ferimentos pessoais.
- **Faça pressão apenas em linha reta com a broca, e não faça pressão excessiva.** As brocas podem dobrar, podendo quebrar ou dando origem a uma perda de controlo, resultando em ferimentos.
- **Certifique-se de que mantém um equilíbrio constante.** Certifique-se de que não se encontra ninguém por baixo quando usar a máquina num local alto.
- **Segure firmemente a máquina.**
- **Mantenha as mãos afastadas das peças rotativas.**
- **Não deixe a máquina a funcionar. Utilize a máquina apenas enquanto a segura.**
- **Não toque na broca do perfurador após a operação.** Esta pode estar extremamente quente e pode queimar a sua pele.
- **Se algo estiver errado com a máquina, como sons anormais, pare imediatamente de a utilizar e contacte o seu centro de reparação local para efetuar a reparação.**
- **Para reduzir o risco de explosão, nunca use o perfurador perto de linhas de gás enterradas, linhas de água ou tubagens.** O contacto ou a utilização perto de linhas de gás ou de água enterradas pode dar origem ao arrebentamento das linhas de água, e à explosão das linhas de gás, o que pode dar origem a ferimentos sérios e morte.
- **Nunca trabalhe com uma velocidade superior à velocidade nominal máxima da broca do perfurador.** Com velocidades mais elevadas, a broca pode dobrar, caso seja permitido que rode livremente sem contactar com a peça a ser trabalhada, dando origem a ferimentos pessoais.
- **As máquinas que funcionam a bateria não têm de ser ligadas a uma tomada elétrica; assim, estão sempre em estado de funcionamento. Tenha cuidado com possíveis perigos quando a máquina não estiver a funcionar.** Tenha cuidado quando efetuar a manutenção ou reparações.
- **Não lave com uma mangueira. Evite que entre água no motor e nas ligações elétricas.**
- **As lâminas para o gelo estão muito afiadas. Tenha muito cuidado quando fizer um buraco ou substituir as lâminas. Coloque a proteção da lâmina após cada utilização.**
- **Verifique frequentemente e certifique-se de que o parafuso de fixação está fixado no respetivo lugar.**

**GUARDE ESTAS INSTRUÇÕES.** Consulte com frequência e use estas instruções para instruir outras pessoas sobre a forma de utilizar esta máquina. Se emprestar a alguém esta máquina, entregue também estas instruções para evitar a uma má utilização do produto e possíveis ferimentos.

## CARACTERÍSTICAS TÉCNICAS

Voltagem		56 V
Binário		74 Nm
Velocidade sem carga (n <sub>0</sub> )	Avançar	Baixa: 0-150 /min Alta: 0-210 /min
	Retroceder	100 /min
Peso (sem a bateria)		10,2 kg

## LISTA DE PEÇAS (IMAGEM A1)

### DESCRIÇÃO

#### CONHEÇA A SUA CABEÇA MOTORA (Imagem A1)

1. Pega esquerda
2. Pega direita
3. Seletor da velocidade/direção de rotação
4. Botão de desbloqueio
5. Interruptor do gatilho de velocidade variável
6. Botão de liberação da bateria
7. Indicador LED
8. Cabeça motora
9. Porta da bateria
10. Chave de caixa de 10 mm
11. Chave sextavada de 5 mm

### MONTAGEM

#### INSTALAR AS PEGAS

1. Com a porta da bateria virada para trás, insira os tubos das pegas direita e esquerda nas ranhuras curvas na base da cabeça motora (Imagem B1).
2. Alinhe os dois orifícios em cada tubo da pega com os dois orifícios em cada ranhura da base.  
**NOTA:** Uma instalação incorreta das pegas direita e esquerda evita que estes orifícios fiquem alinhados.
3. Use 8 conjuntos de parafusos, anilhas e porcas para fixar as pegas na cabeça motora. Use a chave de aperto e a chave sextavada de 5 mm para os apertar bem (Imagem B2).
4. Alinhe a seta no cabo da pega direita com a seta no cabo da cabeça motora. Depois, insira a ficha do cabo da pega direita na tomada do cabo na cabeça motora. Aperte bem (Imagem B2).

**AVISO:** Para evitar danos no cabo, não o dobre nem torça durante a montagem.

B1-1	Pega direita	B1-2	Pega esquerda
B1-3	Porta da bateria	B2-1	Parafuso
B2-2	Anilha	B2-3	Porca
B2-4	Cabo e ficha	B2-5	Tomada do cabo

PT

#### INSTALAR O ACESSÓRIO DA CABEÇA MOTORA

**AVISO:** Leia e compreenda o manual de instruções para cada acessório usado com esta cabeça motora e siga todos os avisos e instruções. Não seguir todas as instruções pode resultar em choque elétrico, incêndio e/ou ferimentos graves.

**AVISO:** Esta cabeça motora PHA7400E de 56 V foi criada para ser usada apenas com acessórios EGO especificados neste manual de instruções ou subsequentemente introduzidos pela EGO para serem usados com esta cabeça motora. A utilização de outros acessórios não autorizados pode causar ferimentos sérios ou danos patrimoniais.

**AVISO:** Nunca instale, retire nem ajuste qualquer acessório enquanto a cabeça motora estiver a funcionar ou com a bateria instalada. Falha em parar o motor e retirar a bateria pode causar ferimentos sérios. **NUNCA UTILIZE A CABEÇA MOTORA SEM UM ACESSÓRIO.**

### FUNCIONAMENTO

#### FIXAR/RETIRAR A BATERIA

Utilize apenas com as baterias e carregadores da EGO listados na Imagem A2.

#### Carregue por completo antes da primeira utilização.

#### Para fixar

Alinhe as abas da bateria com as ranhuras de fixação e pressione a bateria para baixo até ouvir um “clique” (Imagem C1).

#### Para libertar

Prima o botão de liberação da bateria e puxe a bateria para fora (Imagem C2).

C1-1	Ranhura de fixação	C1-2	Aba
C2-1	Botão de liberação da bateria		

## LIGAR/PARAR A CABEÇA MOTORA (Imagem D)

- Para ligar a cabeça motora, prima e mantenha premido o botão de desbloqueio, depois, pressione o interruptor do gatilho de velocidade variável. Liberte o botão de desbloqueio e continue a premir o interruptor do gatilho para uma utilização prolongada.

**NOTA:** O interruptor do gatilho de velocidade variável oferece uma velocidade superior com uma maior pressão do gatilho, e uma velocidade inferior ao deixar de pressionar o gatilho.

- Para desligar a cabeça motora, deixe de premir o interruptor do gatilho e deixe o perfurador parar por completo.

D-1	Botão de desbloqueio	D-2	Interruptor do gatilho de velocidade variável
-----	----------------------	-----	---

## SELECIONAR A DIREÇÃO DE ROTAÇÃO E VELOCIDADE (Imagem E)

Segure a pega traseira com a sua mão direita.

- Prima o seletor para a posição “2” para ativar a rotação para a frente a alta velocidade.
- Prima o seletor para a posição “1” para ativar a rotação para a frente a baixa velocidade.
- Prima o seletor para a posição “R” para ativar a rotação para trás.

**NOTA:** Só pode alterar a direção de rotação para a frente e para trás quando a cabeça motora estiver parada.

**NOTA:** O ajuste da velocidade para a frente pode ser feito a qualquer altura, não importa se a cabeça motora está a funcionar ou não.

E-1	Seletor da velocidade/direção de rotação
-----	--

## INDICADOR DO ESTADO

A cabeça motora do perfurador tem um indicador do estado LED para apresentar o estado de funcionamento da máquina. O indicador LED acende apenas quando a cabeça motora for ligada.

INDICADOR DO ESTADO LED	CONDIÇÃO DE FUNCIONAMENTO	AÇÃO
Verde contínuo	A cabeça motora funciona corretamente.	Funcionamento normal. Não é necessária qualquer ação.
Vermelho contínuo	A cabeça motora está sobrecarregada.	Liberte o gatilho, levante o perfurador do buraco e verifique a causa da sobrecarga. Poderá precisar de encontrar um local alternativo para escavar, caso uma grande obstrução tenha feito a máquina parar. Se não conseguir resolver o problema, contacte o serviço de apoio ao cliente da EGO para proceder à reparação.
	A cabeça motora está muito fria.	Deixe de premir o gatilho. Leve o perfurador para o interior para o aquecer.
Cor-de-laranja contínuo	Proteção contra ressaltos.	Deixe de premir o gatilho e levante o perfurador do buraco. Reinicie o perfurador e baixe-o gentilmente de volta para o buraco.
Vermelho a piscar	A bateria está quase gasta.	Carregue a bateria.
Cor-de-laranja a piscar	A cabeça motora sobreaqueceu.	Pare o perfurador e espere um bocado para que o perfurador arrefeça.
Verde e vermelho a piscar alternadamente.	Falha de comunicação.	Contacte o serviço de apoio ao cliente da EGO para proceder à reparação.
Não há luz.	Se o indicador LED na bateria piscar a cor-de-laranja ou acender a vermelho, a bateria sobreaqueceu.	Permita à bateria arrefecer e reinicie o perfurador.
	Outro erro eletrónico.	Contacte o serviço de apoio ao cliente da EGO para proceder à reparação.

PT

## MANUTENÇÃO

**AVISO:** Para evitar ferimentos sérios, retire a bateria do produto antes da reparação, limpeza, mudança de acessórios ou remoção de material da unidade.

### MANUTENÇÃO GERAL

Evite usar solventes quando limpar peças de plástico. Grande parte dos plásticos é suscetível a danos devido a vários tipos de solventes comerciais. Utilize panos limpos para retirar a sujidade, pó, óleo, gordura, etc.

**AVISO:** Nunca permita que o líquido dos travões, gasolina, produtos à base de petróleo, óleos penetrantes, etc., entrem em contacto com as peças de plástico. Os químicos podem danificar, enfraquecer ou destruir o plástico o que pode dar origem a ferimentos sérios.

## GUARDAR A CABEÇA MOTORA

1. Retire a bateria da cabeça motora.
2. Limpe bem a cabeça motora antes de a guardar.
3. Guarde a cabeça motora num local seco, bem ventilado, trancado ou elevado, fora do alcance das crianças. Não guarde a cabeça motora em cima ou perto de fertilizantes, gasolina ou outros químicos.

## PROTEJA O AMBIENTE



Não elimine equipamento elétrico, bateria gasta nem carregador juntamente com o lixo doméstico comum! Leve este produto a um centro de reciclagem autorizado para que possa haver uma separação das peças. As ferramentas elétricas têm de ser devolvidas em instalações de reciclagem ambientalmente compatíveis.



## RESOLUÇÃO DE PROBLEMAS

Consulte o manual de utilização dos respetivos acessórios.

## GARANTIA

**PT**

### POLÍTICA DE GARANTIA EGO

Visite o website [egopowerplus.eu](http://egopowerplus.eu) para os termos e condições completos da política de garantia da EGO.

## LEGGERE TUTTE LE ISTRUZIONI!



**LEGGERE IL MANUALE DI ISTRUZIONI.**

**⚠ AVVERTENZA!** Per garantire sicurezza e affidabilità, tutte le operazioni di riparazione e sostituzione devono essere effettuate da un tecnico qualificato.

IT

## SIMBOLI DI SICUREZZA

Lo scopo dei simboli di sicurezza è attirare l'attenzione dell'operatore su possibili pericoli. I simboli di sicurezza e le relative spiegazioni richiedono la massima attenzione e comprensione da parte dell'operatore. Le avvertenze espresse dai simboli, da sole, non eliminano tutti i rischi. Le istruzioni e le avvertenze non sostituiscono le adeguate misure di prevenzione contro gli incidenti.

**⚠ AVVERTENZA!** Accertarsi di aver letto e compreso tutte le istruzioni di sicurezza in questo manuale, inclusi tutti i simboli di avvertenza come "PERICOLO", "AVVERTENZA" e "ATTENZIONE" prima di usare l'apparecchio. Il mancato rispetto di tutte le istruzioni elencate di seguito comporta il rischio di scossa elettrica, incendio e/o lesioni gravi.

## AVVERTENZE DI SICUREZZA

Questa pagina illustra e descrive i simboli di sicurezza che possono essere presenti sull'apparecchio. Leggere, comprendere e seguire tutte le istruzioni sull'apparecchio prima di tentare di assemblarlo e ripararlo.



Avvertenza di sicurezza



Per ridurre il rischio di infortuni, leggere il manuale di istruzioni.



Indossare protezioni per le orecchie.



Indossare protezioni per gli occhi



Gli apparecchi elettrici non devono essere smaltiti insieme ai rifiuti domestici. Portarli presso un centro di riciclaggio autorizzato.



Questo prodotto è conforme alle direttive europee applicabili.



Corrente continua



Conformità ai requisiti del Regno Unito

V Tensione

kg Chilogrammo

IPX4 Protezione dagli schizzi d'acqua

## AVVERTENZE DI SICUREZZA GENERICHE

**⚠ AVVERTENZA!** Consultare tutte le avvertenze di sicurezza, le istruzioni, le illustrazioni e le specifiche fornite insieme a questo apparecchio. Il mancato rispetto delle istruzioni sotto riportate comporta il rischio di scossa elettrica, incendio e/o gravi infortuni.

IT

Conservare tutte le avvertenze e le istruzioni per futuro riferimento.

### SICUREZZA DELL'AREA DI LAVORO

- **Mantenere l'area di lavoro pulita e ben illuminata.** Il disordine e la scarsa illuminazione favoriscono gli incidenti.
- **Non usare gli apparecchi elettrici in atmosfere esplosive, ad esempio in presenza di liquidi infiammabili, benzina o polveri.** Gli apparecchi elettrici producono scintille suscettibili di dare fuoco a polveri o vapori.
- **Durante l'uso di un apparecchio elettrico, tenere a distanza i bambini e le persone presenti.** Le distrazioni possono causare la perdita di controllo.

### SICUREZZA ELETTRICA

- **Le spine degli apparecchi elettrici devono essere adatte al tipo di presa. Non modificare la spina in alcun modo. Non usare adattatori con gli apparecchi elettrici dotati di messa a terra (collegati a massa).** L'uso di spine originali corrispondenti al tipo di presa riduce il rischio di scossa elettrica.
- **Evitare il contatto fisico con superfici collegate a terra come tubi, radiatori, fornelli elettrici e frigoriferi.** Il rischio di scossa elettrica aumenta se il proprio corpo è collegato a terra.
- **Non esporre gli apparecchi elettrici a pioggia o umidità.** L'infiltrazione di acqua all'interno di un apparecchio elettrico aumenta il rischio di scossa elettrica.
- **Non utilizzare il cavo in modo improprio. Non utilizzare il cavo per trasportare, spostare o scollegare l'apparecchio elettrico. Tenere il cavo al riparo da calore, olio, bordi taglienti o parti in movimento.** La presenza di cavi danneggiati o aggrovigliati aumenta il rischio di scossa elettrica.
- **Durante l'uso di un apparecchio elettrico all'aperto, utilizzare una prolunga idonea per ambienti esterni.** L'uso di un cavo idoneo riduce il rischio di scossa elettrica.

- **Se è necessario lavorare in un luogo umido, utilizzare un circuito elettrico dotato di interruttore differenziale (RCD).** L'uso di un interruttore differenziale riduce il rischio di scossa elettrica.

### SICUREZZA PERSONALE

- **Durante l'uso di un apparecchio elettrico, prestare sempre la massima attenzione e utilizzare il buon senso. Non usare gli apparecchi elettrici se si è stanchi o sotto l'effetto di droghe, alcol o farmaci.** Anche un solo momento di disattenzione durante l'uso di un apparecchio elettrico comporta il rischio di lesioni gravi.
- **Indossare dispositivi di protezione individuale. Indossare protezioni per gli occhi. I dispositivi di protezione individuale come maschere antipolvere, calzature antiscivolo, caschi e cuffie per le orecchie, se utilizzati quando le circostanze lo richiedono, riducono il rischio di infortuni.**
- **Prevenire l'avvio accidentale. Assicurarsi che l'interruttore sia in posizione di spegnimento prima di sollevare, trasportare o collegare l'apparecchio elettrico alla presa di corrente e/o alla batteria.** Per ridurre il rischio di incidenti, non trasportare gli apparecchi elettrici tenendo le dita sull'interruttore e non collegarli alla fonte di alimentazione se l'interruttore è in posizione di avvio.
- **Rimuovere eventuali chiavi di regolazione o avvitoamento prima di avviare un apparecchio elettrico.** Una chiave di serraggio rimasta inserita in un elemento mobile dell'apparecchio elettrico comporta il rischio di infortuni.
- **Non allungarsi eccessivamente. Mantenere sempre un buon equilibrio evitando posizioni instabili.** Ciò assicura un miglior controllo dell'apparecchio elettrico in situazioni impreviste.
- **Vestirsi in modo adeguato. Non indossare indumenti ampi o gioielli. Tenere capelli e indumenti lontani dalle parti in movimento.** Indumenti ampi, gioielli e capelli lunghi possono impigliarsi nelle parti in movimento.
- **Se sono disponibili dei dispositivi per il collegamento di sistemi per l'estrazione e la raccolta della polvere, assicurarsi che siano collegati e in uso.** L'uso di tali dispositivi può ridurre i rischi derivanti dalla polvere.
- **Non lasciare che la familiarità con gli apparecchi elettrici (derivata da un uso frequente) abbassi il livello di attenzione.** Anche una minima distrazione può causare gravi infortuni.



## USO E MANUTENZIONE DEGLI APPARECCHI ELETTRICI

- **Non forzare l'apparecchio elettrico. Usare l'apparecchio elettrico più adatto al lavoro da svolgere.** Gli apparecchi elettrici sono più sicuri ed efficaci se utilizzati alla velocità per la quale sono stati progettati.
- **Non usare l'apparecchio elettrico se l'interruttore non funziona.** Un apparecchio elettrico che non può essere controllato dall'interruttore è pericoloso e deve essere riparato.
- **Rimuovere il gruppo batteria, se removibile, e/o scollegare l'apparecchio elettrico dalla presa di corrente prima di regolarlo, riporlo o sostituire gli accessori.** Tali misure preventive riducono il rischio di avvio accidentale degli apparecchi elettrici.
- **Riporre gli apparecchi elettrici fuori dalla portata dei bambini e non permetterne l'uso a persone che non hanno familiarità con l'apparecchio o con le istruzioni per l'uso.** Gli apparecchi elettrici sono pericolosi se utilizzati da persone non competenti.
- **Sottoporre gli apparecchi elettrici e gli accessori a una regolare manutenzione. Verificare che le parti mobili non siano disallineate o piegate e che non siano presenti danni o altre condizioni suscettibili di compromettere il funzionamento dell'apparecchio elettrico. Se l'apparecchio elettrico è danneggiato, farlo riparare prima di usarlo nuovamente.** Molti incidenti sono provocati da apparecchi elettrici in cattive condizioni.
- **Mantenere gli accessori di taglio puliti e affilati.** Un'adeguata manutenzione e affilatura degli accessori di taglio riduce il rischio di inceppamento e facilita il controllo dell'apparecchio elettrico.
- **Usare l'apparecchio elettrico, gli accessori, le punte ecc. conformemente a queste istruzioni, tenendo conto delle condizioni dell'area di lavoro e del tipo di lavoro da svolgere.** L'uso dell'apparecchio elettrico per operazioni diverse da quelle per cui è progettato può comportare situazioni di pericolo.
- **Tenere le impugnature e le superfici di presa asciutte, pulite e prive di olio o grasso.** Impugnature e superfici di presa scivolose non garantiscono l'uso sicuro e il controllo dell'apparecchio elettrico in situazioni impreviste.

## USO E MANUTENZIONE DELLA BATTERIA

- **Ricaricare la batteria esclusivamente con il caricabatteria specificato dal costruttore.** Un caricabatteria adatto a un certo tipo di gruppo batteria comporta il rischio di incendio se utilizzato con gruppi batteria di tipo diverso.
- **Usare esclusivamente gruppi batteria progettati specificamente per questo apparecchio elettrico.** L'uso di altri gruppi batteria comporta il rischio di incendio e infortunio.
- **Quando il gruppo batteria non è in uso, tenerlo lontano da piccoli oggetti metallici, ad esempio graffette, monete, chiavi, chiodi, viti ecc. poiché potrebbero creare un collegamento tra i due terminali.** Il cortocircuito dei terminali della batteria comporta il rischio di incendio o ustioni.
- **Un utilizzo improprio può causare fuoriuscite di liquido dalla batteria: evitare il contatto con tale liquido. In caso di contatto accidentale, lavare l'area interessata con acqua. Se il liquido entra a contatto con gli occhi, consultare un medico.** Il liquido fuoriuscito dalla batteria può causare irritazioni o ustioni.
- **Non usare gruppi batteria o apparecchi elettrici danneggiati o modificati.** Le batterie danneggiate o modificate possono manifestare comportamenti imprevisti, con il rischio di incendio, esplosione o infortunio.
- **Non esporre il gruppo batteria o l'apparecchio elettrico a fiamme o temperature eccessive.** L'esposizione a fiamme o temperature superiori a 130°C comporta il rischio di esplosione.
- **Rispettare tutte le istruzioni relative alla ricarica e non ricaricare il gruppo batteria o l'apparecchio elettrico a temperature diverse da quelle specificate nelle istruzioni.** Una ricarica eseguita in modo improprio o a temperature diverse da quelle specificate può danneggiare la batteria e aumentare il rischio di incendio.

## RIPARAZIONI

- **Affidare la riparazione dell'apparecchio elettrico a personale qualificato e utilizzare esclusivamente parti di ricambio identiche.** Ciò garantisce la sicurezza dell'apparecchio elettrico.
- **Non riparare gruppi batteria danneggiati.** La riparazione dei gruppi batteria deve essere effettuata esclusivamente dal costruttore o da un centro di assistenza autorizzato.

IT

## AVVERTENZE DI SICUREZZA SPECIFICHE PER UNITÀ MOTORE

IT

- L'unità motore PHA7400E è progettata per essere utilizzata esclusivamente con i seguenti accessori EGO, e con quelli introdotti in futuro da EGO per l'uso con questa unità motore.

ACCESSORIO	NUMERO MODELLO
Coclea da trivella per terreno	ETA0800E
Coclea da trivella per ghiaccio	ITA0800E

- **Sostituire le trivelle se sono incrinata, scheggiate o danneggiate in qualsiasi modo.** L'uso dell'apparecchio con una trivella danneggiata comporta il rischio di lesioni gravi.
- **Non usare la trivella con le impugnature sopra il livello della vita.** Ciò riduce il controllo sulla trivella e può aumentare il rischio di lesioni.
- **Impugnare l'apparecchio con entrambe le mani sulle impugnature.** La perdita di controllo può provocare gravi infortuni.
- **Tenere l'apparecchio esclusivamente tramite le impugnature isolanti durante le operazioni in cui la coclea può entrare a contatto con cavi elettrici nascosti.** Se la coclea tocca un cavo elettrificato può trasmettere la corrente alle parti metalliche dell'apparecchio, esponendo l'operatore al rischio di scossa elettrica
- **Per ridurre il rischio di folgorazione, non usare la trivella in prossimità di cavi elettrici interrati.** Il contatto o l'utilizzo in prossimità di cavi elettrici interrati comporta il rischio di lesioni gravi, scossa elettrica o morte.
- **Avviare l'apparecchio a bassa velocità e con l'estremità della coclea a contatto con il terreno.** A velocità superiori, la coclea può piegarsi quando ruota liberamente senza entrare a contatto con il terreno, con il rischio di lesioni gravi.
- **Applicare pressione esclusivamente in linea retta rispetto alla coclea e non applicare una pressione eccessiva.** La coclea può piegarsi, con il rischio di rottura, perdita di controllo e lesioni personali.
- **Assicurarsi di avere un buon contatto con il terreno.** Se l'apparecchio è usato su terreni sopraelevati, assicurarsi che non siano presenti persone a valle.
- **Impugnare l'apparecchio saldamente.**
- **Tenere mani e piedi a distanza delle parti rotanti.**

- **Non lasciare l'apparecchio incustodito quando è in funzione.** Avviare l'apparecchio solo dopo averlo impugnato.
- **Non toccare la coclea immediatamente dopo l'uso;** può essere estremamente calda e causare ustioni.
- **Se l'apparecchio presenta anomalie, ad esempio emette rumori insoliti, interrompere immediatamente l'utilizzo e contattare il centro di assistenza locale per la riparazione.**
- **Per ridurre il rischio di esplosione, non usare la trivella in prossimità di tubature del gas o dell'acqua interrate.** Il contatto o l'utilizzo in prossimità di tubature del gas o dell'acqua può causarne lo scoppio, con il rischio di lesioni gravi o mortali.
- **Non usare velocità superiori alla velocità massima riportata sulla coclea.** A velocità superiori, la coclea può piegarsi quando ruota liberamente senza entrare a contatto con il terreno, con il rischio di lesioni gravi.
- **Gli apparecchi alimentati batteria non hanno bisogno di essere collegati a un impianto elettrico; pertanto sono sempre in condizioni operative.** Tenere a mente i possibili rischi anche quando l'apparecchio non è in funzione. Prestare attenzione durante le operazioni di manutenzione o riparazione.
- **Non lavare l'apparecchio con tubi per innaffiare; evitare le infiltrazioni d'acqua nel motore e nei componenti elettrici.**
- **Le lame della coclea per ghiaccio sono molto affilate.** Prestare particolare attenzione durante la foratura o la sostituzione delle lame. Installare il coprilama dopo ogni utilizzo.
- **Verificare frequentemente che la vite di bloccaggio sia fissata saldamente.**

**CONSERVARE QUESTE ISTRUZIONI.** Consultarle frequentemente e usarle per istruire gli altri operatori dell'apparecchio. In caso di cessione dell'apparecchio a terzi, allegare anche queste istruzioni per evitare l'uso scorretto e il rischio di lesioni.

## SPECIFICHE TECNICHE

Tensione		56 V 
Coppia		74 Nm
Velocità a vuoto (n <sub>v</sub> )	Avanti	Bassa: 0-150 /min Alta: 0-210 /min
	Inversa	100 /min
Peso (senza gruppo batteria)		10,2 kg

## CONTENUTO DELL'IMBALLAGGIO (FIG. A1)

### DESCRIZIONE

#### COMPONENTI DELL'UNITÀ MOTORE (Fig. A1)

1. Impugnatura sinistra
2. Impugnatura destra
3. Selettore della velocità e della direzione di rotazione
4. Pulsante di sbloccaggio
5. Interruttore a velocità variabile
6. Pulsante di rilascio della batteria
7. Indicatore luminoso
8. Unità motore
9. Alloggio del gruppo batteria
10. Chiave ad anello (10 mm)
11. Chiave esagonale (5 mm)

### ASSEMBLAGGIO

#### INSTALLAZIONE DELLE IMPUGNATURE

1. Con l'alloggio del gruppo batteria rivolto all'indietro, inserire i tubi dell'impugnatura destra e dell'impugnatura sinistra nelle guide incurvate sulla base dell'unità motore (Fig. B1).

2. Allineare i fori sui tubi delle impugnature con i fori sulle guide.

**NOTA:** Se le impugnature non sono orientate correttamente, i fori non risulteranno allineati.

3. Usare 8 set di bulloni, rondelle e dadi per fissare le impugnature all'unità motore. Usare la chiave ad anello e la chiave esagonale da 5 mm per serrarle saldamente (Fig. B2).
4. Allineare la freccia sul cavo dell'impugnatura destra con la freccia sul cavo dell'unità motore. Quindi inserire la spina del cavo dell'impugnatura destra nella presa del cavo dell'unità motore. Serrare saldamente (Fig. B2).

**NOTA:** Per evitare di danneggiare il cavo, non piegarlo o torcerlo durante l'assemblaggio.

B1-1	Impugnatura destra	B1-2	Impugnatura sinistra
B1-3	Alloggio del gruppo batteria	B2-1	Bullone
B2-2	Rondella	B2-3	Dado
B2-4	Spina del cavo	B2-5	Presa del cavo

#### INSTALLAZIONE DI UN ACCESSORIO SULL'UNITÀ MOTORE

**AVVERTENZA!** Leggere e comprendere integralmente il manuale di istruzioni di ogni accessorio opzionale installabile su questa unità motore, e rispettare tutte le avvertenze e le istruzioni. Il mancato rispetto di tutte le istruzioni comporta il rischio di scossa elettrica, incendio e/o lesioni gravi.

**AVVERTENZA!** L'unità motore da 56 V PHA7400E è progettata per essere utilizzata esclusivamente con gli accessori EGO specificati in questo manuale o introdotti in seguito da EGO per l'uso con questa unità motore. L'uso di altri accessori non autorizzati comporta il rischio di danni e lesioni gravi.

**AVVERTENZA!** Non installare, rimuovere o regolare un accessorio quando l'unità motore è in funzione o con la batteria installata. In caso contrario, sussiste il rischio di lesioni gravi. **NON USARE L'UNITÀ MOTORE SENZA UN ACCESSORIO.**

### UTILIZZO

#### INSTALLAZIONE/RIMOZIONE DEL GRUPPO BATTERIA

Usare l'apparecchio esclusivamente con i gruppi batteria e caricabatteria EGO elencati in Fig. A2.

#### Ricaricare completamente la batteria prima del primo utilizzo.

##### Installazione

Allineare i rilievi sulla batteria con le scanalature di fissaggio e premere il gruppo batteria fino al "clic" (Fig. C1).

##### Rimozione

Premere il pulsante di rilascio della batteria ed estrarre il gruppo batteria (Fig. C2).

C1-1	Scanalatura di fissaggio	C1-2	Rilievo
C2-1	Pulsante di rilascio della batteria		

## AVVIO/ARRESTO DELL'UNITÀ MOTORE (Fig. D)

- Per avviare l'unità motore, tenere premuto il pulsante di sbloccaggio e premere l'interruttore a velocità variabile. Rilasciare il pulsante di sbloccaggio e continuare a premere l'interruttore per il funzionamento continuo.

**NOTA:** Premere l'interruttore a velocità variabile con più forza per aumentare la velocità o con meno forza per ridurla.

- Per arrestare l'unità motore, rilasciare l'interruttore e attendere che la coclea si fermi completamente.

D-1	Pulsante di sbloccaggio	D-2	Interruttore a velocità variabile
-----	-------------------------	-----	-----------------------------------

## SELEZIONE DELLA DIREZIONE DI ROTAZIONE E DELLA VELOCITÀ (Fig. E)

Afferrare l'impugnatura destra con la mano destra.

- Portare il selettore in posizione "2" per selezionare la rotazione in avanti ad alta velocità.
- Portare il selettore in posizione "1" per selezionare la rotazione in avanti a bassa velocità.
- Portare il selettore in posizione "R" per selezionare la rotazione inversa.

**NOTA:** La direzione di rotazione può essere modificata esclusivamente quando l'unità motore non è in funzione.

**NOTA:** La velocità di rotazione può essere regolata in qualsiasi momento, anche quando l'unità motore è in funzione.

E-1	Selettore della velocità e della direzione di rotazione
-----	---

## INDICATORE DI STATO

Sull'unità motore è presente un indicatore luminoso che segnala lo stato dell'apparecchio. L'indicatore si illumina esclusivamente all'avvio dell'unità motore.

INDICATORE DI STATO	SIGNIFICATO	AZIONE
Verde fisso	L'unità normale funziona correttamente.	Funzionamento normale. Non è necessario intervenire.
Rosso fisso	L'unità motore è sovraccarica.	Rilasciare l'interruttore, sollevare la trivella dal buco e individuare la causa del sovraccarico. Se l'ostacolo che ha causato l'arresto dell'apparecchio è di grandi dimensioni potrebbe essere necessario effettuare il buco in un altro luogo. Se il problema persiste, contattare il servizio clienti EGO per la riparazione.
	L'unità motore è troppo fredda.	Rilasciare l'interruttore. Portare la trivella in interni affinché si riscaldi.
Arancione fisso	Protezione anti-contraccolpo.	Rilasciare l'interruttore e sollevare la trivella dal buco. Riavviare la trivella e abbassarla lentamente nel buco.
Rosso lampeggiante	Il gruppo batteria è quasi scarico.	Ricaricare il gruppo batteria.
Arancione lampeggiante	L'unità motore è surriscaldata.	Arrestare la trivella e attendere che si raffreddi.
Rosso e verde lampeggianti alternativamente.	Problema di comunicazione.	Contattare il servizio clienti EGO per la riparazione.
Spento.	Se l'indicatore luminoso sul gruppo batteria lampeggia di arancione o è acceso di rosso, il gruppo batteria è surriscaldato.	Attendere che il gruppo batteria si raffreddi, quindi riavviare la trivella.
	Altri malfunzionamenti elettronici.	Contattare il servizio clienti EGO per la riparazione.

**IT**

## MANUTENZIONE

**AVVERTENZA!** Per evitare il rischio di lesioni gravi, rimuovere il gruppo batteria dall'apparecchio prima di pulirlo, ripararlo, sostituire gli accessori o rimuovere del materiale dall'apparecchio.

### MANUTENZIONE GENERALE

Evitare l'uso di solventi durante la pulizia delle parti in plastica. I solventi disponibili in commercio possono danneggiare la maggior parte dei componenti in plastica. Usare un panno pulito per rimuovere sporcizia, polvere, olio, grasso, ecc.

**AVVERTENZA!** Evitare che sostanze come liquidi per i freni, benzina, prodotti a base di petrolio, ecc. entrino a contatto con le parti in plastica. Le sostanze chimiche possono danneggiare, indebolire o distruggere la plastica, con il rischio di lesioni gravi.

## CONSERVAZIONE DELL'UNITÀ MOTORE

1. Rimuovere il gruppo batteria dall'unità motore.
2. Pulire accuratamente l'unità motore prima di riparla.
3. Conservare l'unità motore in un luogo asciutto, ben ventilato, elevato o chiuso a chiave, e fuori dalla portata dei bambini. Non conservare l'unità motore sopra o in prossimità di fertilizzanti, benzina o altre sostanze chimiche.

## PROTEZIONE DELL'AMBIENTE



Non smaltire gli apparecchi elettrici, i caricabatteria e le batterie insieme ai rifiuti domestici. Portare il prodotto presso un centro di riciclaggio autorizzato affinché venga raccolto separatamente. Gli apparecchi elettrici devono essere portati presso un centro di riciclaggio ecocompatibile.



## **RISOLUZIONE DEI PROBLEMI**

Consultare il manuale di istruzioni dell'accessorio.

## **GARANZIA**

### **CONDIZIONI DELLA GARANZIA EGO**

Visitare il sito web [egopowerplus.eu](http://egopowerplus.eu) per consultare le condizioni complete della garanzia EGO.

**IT**

## LEES ALLE INSTRUCTIES!



### LEES DE GEBRUIKSAANWIJZING

**⚠ WAARSCHUWING:** Laat alle reparaties uitvoeren door een vakbekwame reparateur om een continue veiligheid en betrouwbaarheid te waarborgen.

## VEILIGHEIDSSYMBOL

**NL**

Het doel van de veiligheidssymbolen is om u te wijzen op mogelijke gevaren. Besteed daarom voldoende aandacht hieraan en begrijp de veiligheidssymbolen en bijbehorende uitleg. De symboolwaarschuwingen op zich elimineren geen enkel gevaar. De verstrekte instructies en waarschuwingen gelden niet als vervanging voor gepaste voorzorgsmaatregelen tegen ongevallen.

**⚠ WAARSCHUWING:** Lees en begrijp alle veiligheidsinstructies die in deze gebruiksaanwijzing staan vermeld, waaronder alle veiligheidssymbolen zoals "GEVAAR", "WAARSCHUWING" en "OPGELET" voordat u deze machine in gebruik neemt. Het negeren van onderstaande instructies kan leiden tot een elektrische schok, brand en/of ernstig persoonlijk letsel.

## VEILIGHEIDSINSTRUCTIES

Deze pagina toont en beschrijft alle veiligheidssymbolen die zich op dit product kunnen bevinden. Lees, begrijp en volg alle instructies op de machine voordat u deze in elkaar steekt en gebruikt.



Veiligheidswaarschuwing



De gebruiker moet de gebruiksaanwijzing lezen om het risico op letsel te beperken.



Draag gehoorbescherming



Draag oogbescherming



Gooi elektrisch afval niet via het huishoudelijk afval weg. Breng het naar een geautoriseerd recyclingbedrijf.



Dit product is in overeenstemming met de EG-richtlijnen.



Gelijkstroom



GB conformiteit beoordeeld

V Spanning

kg Kilogram

IPX4 Bescherming tegen opspattend water

## ALGEMENE VEILIGHEIDSVORSCHRIFTEN VOOR HET GEREEDSCHAP

**⚠ WAARSCHUWING:** Lees alle veiligheids waarschuwingen, instructies, illustraties en specificaties die met deze machine worden geleverd. Het niet opvolgen van alle onderstaande instructies kan leiden tot elektrische schokken en/of ernstig letsel.

**Bewaar alle waarschuwingen en instructies voor toekomstig gebruik.**

### VEILIGHEID OP DE WERKPLAATS

- **Houd uw werkplaats schoon en goed verlicht.** Rommelige of donkere ruimten kunnen ongevallen veroorzaken.
- **Gebruik de machine niet in een explosieve omgeving, zoals in de aanwezigheid van ontvlambare vloeistoffen, benzine of stof.** De machine veroorzaakt vonken en deze kan stof of dampen ontsteken.
- **Houd kinderen en omstanders uit de buurt wanneer u een machine bedient.** Afleiding kan tot controleverlies leiden.

### ELEKTRISCHE VEILIGHEID

- **De stekker van de machine moet in het stopcontact passen. Pas de stekker op geen enkele manier aan. Gebruik geen adapterstekker met gearde machines.** Niet aangepaste stekkers en overeenkomstige stopcontacten beperken het risico op een elektrische schok.
- **Vermijd lichamelijk contact met gearde oppervlakken, zoals leidingen, radiatoren, fornuizen en koelkasten.** Het risico op een elektrische schok is groter als uw lichaam geaard is.
- **Stel geen machines bloot aan regen of natte omstandigheden.** Water dat een machine binnendringt vergroot het risico op elektrische schokken.
- **Gebruik de kabel niet op een verkeerde manier. Gebruik de kabel nooit om de machine te dragen of mee te trekken of om de stekker uit het stopcontact te halen. Houd de kabel uit de buurt van hitte, olie, scherpe randen of bewegende onderdelen.** Beschadigde of verstrikte kabels vergroten het risico op een elektrische schok.
- **Wanneer u een machine buitenshuis bedient, gebruik dan een verlengkabel die geschikt is voor gebruik buitenshuis.** Het gebruik van een kabel die

voor gebruik buitenshuis geschikt is, verkleint het risico op een elektrische schok.

- **Als het gebruik van een machine in een vochtige ruimte noodzakelijk is, gebruik dan een aardlekschakelaar.** Het gebruik van een aardlekschakelaar verkleint het risico op een elektrische schok.

### PERSOONLIJKE VEILIGHEID

- **Wees waakzaam, let op wat u doet en gebruik uw gezond verstand wanneer u een machine gebruikt. Gebruik geen machine niet als u moe bent of onder de invloed bent van drugs, alcohol of medicijnen.** Een moment van onoplettendheid tijdens het gebruik van het gereedschap kan leiden tot ernstig persoonlijk letsel.
- **Gebruik persoonlijke beschermingsmiddelen. Draag altijd oogbescherming.** Beschermingsmiddelen zoals een stofmasker, slipvast veiligheidsschoenen, veiligheidshelm of gehoorbescherming afhankelijk van de aard en het gebruik van het gereedschap verkleint het risico op persoonlijk letsel.
- **Vermijd dat de machine per ongeluk wordt gestart. Zorg dat de schakelaar op de stand 'Uit' is ingesteld voordat u de machine op een stroombron en/of accupack aansluit, vastneemt of draagt.** Het dragen van een machine met uw vinger op de schakelaar of het activeren van een machine met de schakelaar op 'aan', leidt tot ongelukken.
- **Verwijder instelsleutels of moersleutels voordat u de machine inschakelt.** Een instelsleutel of moersleutel in een draaiend deel van de machine achterlaten kan leiden tot persoonlijk letsel.
- **Reik niet te ver. Zorg er altijd voor dat u stevig en stabiel staat.** Dit zorgt ervoor dat u de machine in onverwachte situaties beter onder controle kunt houden.
- **Draag passende kleding. Draag geen los hangende kleding of sieraden. Houd uw haar en kleding uit de buurt van bewegende onderdelen.** Los hangende kleding, sieraden en lang haar kunnen in bewegende onderdelen verstrikt raken.
- **Wanneer de montage van stofafzuiging- of stofopvangvoorzieningen mogelijk is, dient u ervoor te zorgen dat deze juist aangesloten en gebruikt worden.** Het gebruik van een stofopvang kan helpen om het risico in verband met stof te verlagen.
- **Word niet zelfingenomen door de ervaring die u hebt opgedaan door frequent gebruik, waardoor u dan de veiligheids waarschuwingen negeert.**



Een achteloze actie kan binnen een fractie van een seconde ernstig letsel veroorzaken.

#### GEBRUIK EN ONDERHOUD VAN DE MACHINE

- **Overbelast de machine niet. Gebruik de juiste machine voor uw toepassing.** Met de juiste machine werkt u beter en veiliger binnen het aangegeven vermogensbereik.
- **Het gebruik van een aardlekschakelaar verkleint het risico op een elektrische schok.** Een machine die niet met de schakelaar kan worden bediend is gevaarlijk en moet worden gerepareerd.
- **Trek de stekker uit de stroomvoorziening en/of verwijder het accupack, indien die kan worden verwijderd, uit het gereedschap voordat u deze instelt, accessoires vervangt of het gereedschap opbergt.** Deze preventieve voorzorgsmaatregelen beperken het risico op onbedoeld starten van de machine.
- **Bewaars de niet-gebruikte machine buiten het bereik van kinderen en laat de machine niet bedienen door personen die niet bekend zijn met de machine of deze instructies.** Machines zijn gevaarlijk wanneer ze door onervaren personen worden gebruikt.
- **Onderhoud van machines en toebehoren. Controleer of de bewegende onderdelen correct functioneren en niet vastklemmen en/of de onderdelen zodanig gebroken of beschadigd zijn dat de werking van de machine nadelig wordt beïnvloed. Als de machine beschadigd is, laat deze voor gebruik repareren.** Vele ongevallen worden veroorzaakt door een slecht onderhouden machine.
- **Houd snijgereedschap scherp en schoon.** Zorgvuldig onderhouden snijgereedschap met scherpe snijranden klemt minder snel vast en is gemakkelijker te beheersen.
- **Gebruik het gereedschap, de accessoires, het inzetgereedschap, etc. in overeenstemming met deze instructies en houd hierbij rekening met de werkomstandigheden en de uit te voeren werkzaamheden.** Het gebruik van de machine voor andere dan de beoogde toepassingen kan een gevaarlijke situatie tot gevolg hebben.
- **Houd de handgrepen en greepvlakken droog, schoon en vrij van olie en smeervet.** Glibberige handgrepen en greepvlakken maken een veilige omgang en de controle over de machine in onverwachte situaties onmogelijk.

#### GEBRUIK EN ONDERHOUD VAN HET ACCU-GEREEDSCHAP

- **Laad alleen op met de lader die door de fabrikant is aangegeven.** Een lader die geschikt is voor een bepaald type accupack kan tot brandgevaar leiden wanneer deze gebruikt wordt met een ander accupack.
- **Gebruik machines alleen met de specifiek vermelde accupacks.** Het gebruik van andere accupacks kan risico op letsel en brandgevaar veroorzaken.
- **Wanneer u het accupack niet gebruikt, houd het uit de buurt van andere metalen voorwerpen zoals paperclips, munten, sleutels, spijkers, schroeven of andere kleine metalen voorwerpen die de twee aansluitklemmen kunnen verbinden.** Het kortsluiten van de aansluitklemmen kan brandwonden of brand veroorzaken.
- **Bij verkeerd gebruik kan er vloeistof uit de accu worden gespoten; vermijd elk contact. Als aanraking met de vloeistof toevallig plaatsvindt, spoel het dan af met water. Als de vloeistof in contact komt met de ogen, dient u onmiddellijk een arts te consulteren.** Vloeistof uit de accu kan irritatie of brandwonden veroorzaken.
- **Gebruik geen accupack of machine die is beschadigd of aangepast.** Beschadigde of aangepaste accu's kunnen resulteren in onvoorzien gedrag zoals brand, explosie of het risico op letsel.
- **Stel een accupack of machine niet bloot aan vuur of excessieve temperaturen.** Blootstelling aan vuur of temperaturen boven 130 °C kunnen leiden tot een explosie.
- **Neem alle laadinstructies in acht en laad het accupack of de machine niet buiten het gespecificeerde temperatuurbereik in de handleiding op.** Het onjuist laden of bij een temperatuur buiten het temperatuurbereik kan de accu beschadigen en er bestaat een gevaar op brand.

#### REPARATIE

- **Laat uw machine repareren door een gekwalificeerd persoon en alleen met identieke reserveonderdelen.** Dit waarborgt dat de veiligheid van het gereedschap behouden blijft.
- **Repareer beschadigde accupacks nooit.** Onderhoud van accupacks mag alleen worden uitgevoerd door de fabrikant of een geautoriseerde dienstverlener.

NL

## VEILIGHEIDSWAARSCHUWINGEN VOOR MOTORKOPPEN

- Deze motorkop PHA7400E mag alleen worden gebruikt met de volgende EGO-hulpstukken of later door EGO geïntroduceerd voor gebruik met deze motorkop:

TYPE HULPSTUK	MODELNUMMER
Grondboorbit	ETA0800E
Ijsboorbit	ITA0800E

NL

- Vervang de boren als ze gebarsten, gebogen of beschadigd zijn.** Het gebruik van de machine met een beschadigde boor kan leiden tot ernstig letsel.
- Gebruik de boor nooit met de handgrepen boven heuphoogte.** Dit beperkt de controle over de boor en kan het risico op letsel vergroten.
- Houd de machine met beide handen vast aan de daarvoor bestemde handgrepen.** Controleverlies kan persoonlijk letsel tot gevolg hebben.
- Houd de machine vast aan de geïsoleerde grepen, als u een handeling uitvoert waarbij het graafaccessoire in contact kan komen met verborgen bedrading.** Een graafaccessoire dat met een draad onder stroom in aanraking komt, kan de blootgestelde metalen onderdelen van de machine onder stroom zetten en de gebruiker een elektrische schok geven.
- Om het risico op elektrocutie te beperken, gebruik de boor nooit in de buurt van ondergrondse elektrische stroomkabels.** Contact met of gebruik in de buurt van ondergrondse elektrische stroomkabels kan ernstig letsel of elektrische schokken veroorzaken met de dood tot gevolg.
- Start de machine altijd op lage snelheid en met de punt van de boor in contact met de grond.** Bij hogere snelheden zal de bit waarschijnlijk buigen als het vrij kan draaien zonder contact met de grond, wat resulteert in persoonlijk letsel.
- Oefen alleen druk uit in directe lijn met het de boor en oefen geen overmatige druk uit.** Bits kunnen buigen, waardoor breuk of verlies van controle ontstaat, wat resulteert in persoonlijk letsel.
- Zorg er altijd voor dat u stevig staat.** Zorg ervoor dat er zich niemand onder de machine bevindt wanneer deze op een hoge locatie wordt gebruikt.
- Houd de machine stevig vast.
- Houd de handen uit de buurt van draaiende onderdelen.
- Laat de machine niet zonder toezicht draaien. Gebruik de machine alleen in de handen.
- Raak de boor niet direct na gebruik aan. Deze kan extreem heet zijn en u kunt brandwonden oplopen.
- Als er iets mis is met de machine, zoals abnormale geluiden, stop onmiddellijk met gebruik en neem contact op met uw lokaal servicecentrum voor reparatie.
- Om het risico op explosie te beperken, gebruik de boor nooit in de buurt van ondergrondse gasleidingen, waterleidingen en pijpen. Contact met of gebruik in de buurt van ondergrondse water- of gasleidingen kan leiden tot het barsten van waterleidingen en explosie van gasleidingen, wat ernstig letsel of de dood kan veroorzaken.
- Werk nooit met een hogere snelheid dan de maximale snelheid van de boorbit. Bij hogere snelheden en bij vrij draaien voor het contact met het werkstuk, kan het apparaat gaan bewegen over het werkstuk wat kan resulteren in persoonlijk letsel.
- Accu-aangedreven machines hoeven niet aan een stopcontact te worden aangesloten en kunnen dus altijd onmiddellijk gebruikt worden. Pas op voor mogelijke gevaren, zelfs wanneer de machine niet in werking is. Let op wanneer u onderhoud op het gereedschap uitvoert.
- Reinig de machine niet met een slang. Zorg dat de motor of elektrische componenten niet met water in aanraking komen.
- De ijsmesses zijn erg scherp. Wees uiterst voorzichtig bij het boren van een gat of het vervangen van de messen. Breng de beschermkap na elk gebruik aan.
- Controleer de borgschroef regelmatig en zorg ervoor dat die stevig vastzit.

**BEWAAR DEZE GEBRUIKSAANWIJZING.** Raadpleeg de gebruiksaanwijzing indien nodig en gebruik deze om andere personen die deze machine zullen gebruiken te instrueren. Al u deze machine aan iemand anders geeft, doe dan tevens deze gebruiksaanwijzing erbij om verkeerd gebruik en mogelijk letsel te voorkomen.

## SPECIFICATIES

Spanning		56 V
Aanhaalmoment		74 Nm
Snelheid zonder belasting (n <sub>p</sub> )	Vooruit	Laag: 0-150 /min Hoog: 0-210 /min
	Achteruit	100 /min
Gewicht (zonder accupack)		10,2 kg

## INHOUD VAN DE VERPAKKING (AFB. A1)

### BESCHRIJVING

#### KEN UW MOTORKOP (Afb. A1)

1. Linker handvat
2. Rechter handvat
3. Draairichting-/snelheidskeuzeschakelaar
4. Vergrendelknop
5. Trekkerschakelaar met variabele snelheid
6. Accuvrijgaveknop
7. LED-indicator
8. Motorkop
9. Accupackaansluiting
10. Dopsleutel (10 mm)
11. Inbussleutel (5 mm)

### MONTAGE

#### DE HANDGREPEN INSTALLEREN

1. Met de accupackaansluiting naar achteren gericht, steek de buizen van de rechter en linker handgreep in de gebogen sleuven op de basis van de motorkop (Afb. B1).
2. Breng de twee gaten in elke handgreepbuis op één lijn met de twee gaten in elke basisleuf.  
**OPMERKING:** Een verkeerde rechts/links installatie van de handgrepen zorgt ervoor dat deze gaten niet op één lijn liggen.
3. Gebruik 8 sets bouten, sluitringen en moeren om de handgrepen aan de motorkop te bevestigen. Gebruik de moersleutel en de 5 mm inbussleutel om ze stevig vast te draaien (Afb. B2).
4. Breng de pijl op de kabel van de rechter handgreep op één lijn met de kabel van de motorkop. Steek de kabelstekker van de rechter handgreep in de kabel aansluiting van de motorkop. Draai ze stevig vast (Afb. B2).

**OPMERKING:** Om beschadiging van de kabel te voorkomen, buig of draai deze niet tijdens de montage.

B1-1	Rechter handgreep	B1-2	Linker handgreep
B1-3	Accupackaansluiting	B2-1	Bout
B2-2	Sluitring	B2-3	Moer
B2-4	Kabelstekker	B2-5	Kabelaansluiting

#### EEN ACCESSOIRE VOOR DE MOTORKOP BEVESTIGEN

**⚠ WAARSCHUWING:** Lees en begrijp de hele gebruiksaanwijzing voor elk optioneel toebehoren dat met deze motorkop wordt gebruikt en neem alle waarschuwingen en instructies in acht. Het negeren van alle instructies kan leiden tot een elektrische schok, brand en/of ernstig persoonlijk letsel.

**⚠ WAARSCHUWING:** De 56 V motorkop PHA7400E is ontworpen om te worden gebruikt met EGO toebehoren dat wordt vermeld in de gebruiksaanwijzing of op een later tijdstip door EGO nog op de markt wordt gebracht voor deze motorkop. Het gebruik van ander, niet geautoriseerd toebehoren kan ernstig persoonlijk letsel of materiële schade veroorzaken.

**⚠ WAARSCHUWING:** Installeer, verwijder of pas een toebehoren nooit aan terwijl de motorkop loopt of de accu is geïnstalleerd. Het niet stoppen van de motor of het niet verwijderen van de accu kan ernstig persoonlijk letsel tot gevolg hebben. **GEBRUIK DE MOTORKOP NOOIT ZONDER OPZETSTUK.**

### WERKING

#### HET ACCUPACK INSTALLEREN/VERWIJDEREN

Gebruik het gereedschap alleen met de in afb. A2 vermelde accupacks en opladers van EGO.

#### Voor ingebruikname volledig opladen.

#### Installeren

Breng de ribbels van het accupack op één lijn met de montagesleuven en druk het accupack omlaag totdat u "klik" hoort (Afb. C1).

## Verwijderen

Druk de ontgrendelingsknop van het accupack naar beneden en trek het accupack eruit (Afb. C2).

C1-1	Montagesleuf	C1-2	Ribbel
C2-1	Accuvrijgaveknop		

## DE MOTORKOP STARTEN/STOPPEN (Afb. D)

- **Om de motorkop in te schakelen**, houd de vergrendelknop ingedrukt en knijp vervolgens de trekkerschakelaar met variabele snelheid in. Laat de vergrendelknop los en houd de trekkerschakelaar ingedrukt voor continu gebruik.

**OPMERKING:** De trekkerschakelaar met variabele snelheid levert een hogere snelheid met verhoogde druk en lagere snelheid met verminderde druk.

- **Om de motorkop uit te schakelen**, laat de trekkerschakelaar los en laat de boorbit volledig tot stilstand komen.

D-1	Vergrendelknop	D-2	Trekkerschakelaar met variabele snelheid
-----	----------------	-----	--

## DRAAIRICHTING EN SNELHEID SELECTEREN (Afb. E)

Houd de rechter handgreep vast met uw rechterhand.

- Duw de keuzeschakelaar naar positie "2" om de voorwaartse rotatie tegen hoge snelheid te activeren.
- Duw de keuzeschakelaar naar positie "1" om de voorwaartse rotatie tegen lage snelheid te activeren.
- Duw de keuzeschakelaar naar de positie "R" om de achterwaartse rotatie te activeren.

**OPMERKING:** Het wisselen van draairichting tussen voor- en achterwaarts is alleen mogelijk wanneer de motorkop is gestopt.

**OPMERKING:** De voorwaartse snelheidsaanpassing kan op elk moment worden uitgevoerd, ongeacht of de motorkop is gestart of gestopt.

E-1	Draairichting-/snelheidskeuzeschakelaar
-----	---

## STATUSINDICATOR

De motorkop van de boor is voorzien van een LED-statusindicator om de werkingsstatus van de machine weer te geven. De LED-indicator brandt alleen wanneer de aandrijfkop is gestart.

LED-STATUSINDICATOR	BEDRIJFSOMSTANDIGHEDEN	HANDELING
Continu groen	De motorkop werkt naar behoren.	Dit is normaal. Er is geen handeling vereist.
Continu rood	De motorkop is overbelast.	Laat de trekkerschakelaar los, til de boor uit het gat en zoek naar de oorzaak van de overbelasting. Graaf op een andere plaats als een groot obstakel ervoor heeft gezorgd dat de machine tot stilstand is gekomen.  Als het probleem niet kan worden opgelost, neem contact op met de klantenservice van EGO voor reparatie.
	De motorkop is te koud.	Laat de trekkerschakelaar los. Breng de boor naar binnen om die op te warmen.
Continu oranje	Anti-terugslagbescherming.	Laat de trekkerschakelaar los, til de boor uit het gat. Start de boor opnieuw en laat die voorzichtig terug in het gat zakken.
Knipperend rood	De lading van het accupakket is bijna uitgeput.	Laad het accupack op.
Knipperend oranje	De motorkop is oververhit.	Stop de boor en wacht enige tijd om de boor te laten afkoelen.
Rood en groen knipperen afwisselend.	Communicatiestoring.	Neem contact op met de klantenservice van EGO voor reparatie.
Geen licht.	Als de LED-indicator op een of beide accupacks oranje knippert of rood brandt, is het accupack oververhit.	Laat het accupack afkoelen of start de boor opnieuw.
	Andere elektronica fout.	Neem contact op met de klantenservice van EGO voor reparatie.

NL

## ONDERHOUD

**⚠ WAARSCHUWING:** Om ernstig persoonlijk letsel te voorkomen, haal het accupack uit het product voor onderhoud, reiniging, het vervangen van accessoires of het verwijderen van materiaal.

### ALGEMEEN ONDERHOUD

Maak de kunststof onderdelen niet schoon met oplosmiddelen. De meeste kunststoffen kunnen worden beschadigd wanneer ze in contact komen met commerciële oplosmiddelen. Gebruik een schone doek voor het verwijderen van vuil, stof, olie, vet, etc.

**⚠ WAARSCHUWING:** Zorg dat remvloeistof, benzine, producten op basis van aardolie, oliën, etc. op geen enkel moment met de kunststof onderdelen in aanraking komen. Chemicaliën kunnen de kunststof onderdelen beschadigen en ernstig persoonlijk letsel veroorzaken.

### OPBERGEN VAN DE MOTORKOP

1. Verwijder het accupack van de motorkop.
2. Reinig de motorkop grondig voordat u deze opbergt.
3. Berg de motorkop op in een droge, goed geventileerde en afsluitbare ruimte of op een hoge hoogte en buiten het bereik van kinderen. Berg de motorkop niet op in de buurt van meststoffen, benzine of andere chemicaliën.

### HET MILIEU BESCHERMEN



Gooi geen elektrische apparatuur, gebruikte accu's en laders weg via het huishoudelijk afval! Geef dit product af bij een geautoriseerd recyclingbedrijf en zorg dat het apart kan worden ingezameld. Elektrisch gereedschap moet naar een gepast inzamelpunt worden gebracht voor een milieuvriendelijke recycling.



## PROBLEEMOPLOSSING

Zie de gebruiksaanwijzing van het geschikte toebehoor.

## GARANTIE

### EGO-GARANTIEBELEID

Ga naar de website [egopowerplus.eu](http://egopowerplus.eu) voor de volledige algemene voorwaarden van het EGO-garantiebeleid.

NL

## LÆS ALLE VEJLEDNINGERNE!



LÆS BRUGERVEJLEDNINGEN

**⚠ ADVARSEL:** For at sikre sikkerhed og pålidelighed, bør alle reparationer udføres af en kvalificeret servicetekniker.

## SIKKERHEDSSYMBOL

Formålet med sikkerheds- symboler er at tiltrække din opmærksomhed på mulige farer. Du skal være meget opmærksom på sikkerhedssymbolerne og forklaringerne til dem og lære at forstå dem. Symbolernes advarsler fjerner ikke i sig selv eventuelle farer. De anvisninger og advarsler, de giver ingen erstatninger for ordentlig forebyggelse af ulykker foranstaltninger.

**⚠ ADVARSEL:** Sørg for at læse og forstå alle sikkerhedsanvisninger i denne brugsanvisning, herunder alle sikkerhedssymboler, såsom "FARE", "ADVARSEL" og "FORSIGTIG", før du bruger denne maskine. Hvis anvisningerne nedenunder ikke følges, kan det føre til elektrisk stød, brand og/eller alvorlig personskade.

DK

## SIKKERHEDSANVISNINGER

Denne side viser og beskriver sikkerhedssymboler, der kan være på dette produkt. Læs, forstå og følg alle anvisninger på maskinen, før du forsøger at samle og betjene.



Sikkerhedsadvarsel



For at mindske risikoen for skader skal brugeren læse brugsanvisningen.



Brug høreværn



Wear Eye Protection



Elektriske affaldsprodukter må ikke bortskaffes sammen med husholdningsaffald. Bring det til en godkendt genbrugsplads.



Dette produkt er i overensstemmelse med gældende EU-direktiver.



Jævnstrøm (DC)



Overensstemmelse i Storbritannien

V Spænding

kg Kg

IPX4 Beskyttelse mod vandsprøjt

## GENERELLE SIKKERHEDSADVARSLER TIL MASKINEN

**⚠ ADVARSEL:** Læs alle sikkerhedsadvarsler, instruktioner, billeder og specifikationer, der følger med denne maskine. Hvis anvisningerne nedenfor ikke følges, kan det føre til elektrisk stød, brand og/eller alvorlig personskade.

Gem alle advarsler og instruktioner til fremtidig reference.

DK

### SIKKERHED PÅ ARBEJDSPLADSEN

- **Sørg for at arbejdsområdet er rent og godt belyst.** Et rodet eller mørkt område kan føre til ulykker.
- **Maskinen må ikke bruges i eksplosionsfarlig atmosfære, såsom i nærheden af brændbare væsker, benzin eller støv.** Maskinen danner gnister, der kan antænde støv eller dampe.
- **Hold børn og tilskuere på afstand, når en maskine er i brug.** Distractioner kan medføre, at du mister kontrollen.

### SIKKERHED OMKRING ELEKTRICITET

- **Maskinens stik skal passe til stikkontakten.** Stikket må på ingen måde ændres. Brug ikke adapterstik med jordeforbundne maskiner. Uændrede stik, der passer til stikkontakterne, nedsætter risikoen for elektrisk stød.
- **Undgå kropskontakt med jordforbundne overflader, såsom rør, radiatorer, komfurer og køleskabe.** Der er øget risiko for elektrisk stød, hvis din krop er jordforbundet.
- **Maskinen må ikke udsættes for regn eller våde forhold.** Hvis vand trænger ind i maskinen, forøges risikoen for elektrisk stød.
- **Ledningen må ikke mishandles. Brug aldrig ledningen til at bære eller trække maskinen, eller til at trække stikket ud. Hold ledningen væk fra varme, olie, skarpe kanter og bevægelige dele.** Beskadigede eller sammenflettede ledninger, øger risikoen for elektrisk stød.
- **Hvis maskinen bruges udendørs, skal der bruges en forlængerledning, der er egnet til udendørs brug.** Brug af en egnet ledning til udendørs brug, reducerer risikoen for elektrisk stød.
- **Hvis en maskine skal bruges på et fugtigt sted, skal du bruge en strømforsyning med et fejlstrømsrelæ (GFCI).** Når du bruger et fejlstrømsrelæ, reduceres risikoen for elektrisk stød.

### PERSONLIG SIKKERHED

- **Vær forsigtig, hold øje med hvad du laver, og brug din sunde fornuft, når du bruger maskinen.** Maskinen må ikke bruges, hvis du er træt eller er påvirket af narkotika, alkohol eller medicin. Et øjeblik uopmærksomhed under brugen af maskinen kan føre til alvorlige personskader.
- **Brug personligt beskyttelsesudstyr. Brug altid beskyttelsesbriller. Værnemidler, såsom støvmaske, skridsikre sikkerhedssko, hjelm eller høreværn, der anvendes under passende betingelser, nedsætter risikoen for personskade.**
- **Forhindre utilsigtet start. Sørg for, at tænd/sluk-knappen er slukket, inden maskinen sluttes til strømkilden eller batteripakken, samt inden den løftes op eller bæres rundt.** Undgå, at bære maskiner med fingeren på tænd/sluk-knappen eller strømforbundne maskiner, hvor tænd/sluk-knappen er tændt, da dette kan føre til ulykker.
- **Fjern indstillingsværktøj eller skruenøgler, før maskinen startes.** Hvis en skruenøgle eller en nøgle sidder i en drejende del på maskinen, kan den føre til personskader.
- **Undgå at række for langt frem. Sørg altid for at stå ordentligt fast og i god balance.** På denne måde får du bedre kontrol over maskinen i uventede situationer.
- **Brug passende tøj. Brug ikke løstsiddende tøj eller smykker. Hold hår og tøj fra bevægelige dele.** Løstsiddende tøj, smykker eller langt hår kan komme i klemme i bevægelige dele.
- **Hvis der monteres tilbehør til opsamling af støv eller andet, skal det sikres at disse monteres og bruges rigtigt.** Brug af støvindsamlingsenheder, kan reducere støv-relaterede risici.
- **Selvom du ofte bruger og har et godt kendskab til maskinen, må du ikke være overmodig eller glemme sikkerhedsprincipperne.** En uagtsom handling kan forårsage alvorlig skade i en brøkdelt af et sekund.

### BRUG OG PLEJE AF MASKINEN

- **Tving ikke maskinen. Brug den rigtige maskine til opgaven.** Den rigtige maskine gør arbejdet bedre og mere sikkert, da det er beregnet til formålet.
- **Maskinen må ikke bruges, hvis tænd/sluk-knappen ikke virker, når du prøver at tænde/slukke maskinen.** En maskine, der ikke kan styres med tænd/sluk-knappen, er farlig og skal repareres.
- **Træk stikket til maskinens strømforsyning ud af stikkontakten og/eller fjern batteripakken**



hvis dette er muligt, inden du foretager justeringer, skifter tilbehør eller lægger maskinen til opbevaring. Sådanne forebyggende sikkerhedsforanstaltninger mindsker risikoen for, at maskinen startes ved et uheld.

- **Maskiner, der ikke bruges, skal holdes ude af børns rækkevidde. Lad ikke personer, der ikke er bekendt med maskinen eller disse instruktioner, bruge maskinen.** Maskinen er farligt i hænderne på brugere, der ikke ved, hvordan det skal bruges.
- **Vedligehold maskinen og tilbehøret. Kontrollér, at de bevægelige dele ikke er fejljusterede eller binder eller er i en tilstand, der kan påvirke maskinens drift. Hvis maskinen beskadiges, skal den repareres før brug.** Der sker mange ulykker på grund af dårligt vedligeholdte maskiner.
- **Klippemaskiner skal holdes skarpe og rene.** Skæremaskiner med skarpe kanter, der vedligeholdes ordentligt, er mindre tilbøjelige til at binde og er lettere at styre.
- **Maskinen, tilbehør og bits osv. skal bruges i overensstemmelse med disse instruktioner, hvor arbejdsforholdene og arbejdet, der skal udføres, skal tages i betragtning.** Maskinen må ikke bruges til andet end dens tiltænkte formål, da dette kan føre til en farlig situation.
- **Hold håndtag og gribeblader tørre, rene og fri for olie og fedt.** Glatte håndtag og glatte overflader, der holdes i, gør maskinen farligt at bruge i uventede situationer.

#### BRUG OG PLEJE AF DENNE BATTERIDREVNE MASKINE

- **Genoplad kun med opladeren er angivet af fabrikanten.** Hvis en oplader, der er egnet til én slags batteri, bruges med en anden slags batteri, kan det føre til brand.
- **Brug kun maskiner med særligt udpegede batteripakker.** Brug af andre batterier kan skabe risiko for personskade og brand.
- **Når batteripakken ikke er i brug, skal den holdes væk fra andre metalgenstande som papirclips, mønter, nøgler, søm, skruer eller andre små metalgenstande, der kan skabe forbindelse fra en pol til en anden.** Shorting batteripolerne sammen kan forårsage forbrændinger eller brand.
- **Ved forkert anvendelse kan der slippe væske ud af batteriet: Undgå kontakt. Hvis det alligevel skulle ske, skal området skylles med vand. Hvis væsken kommer i øjnene, skal man også søge læge.** Væske fra batteriet kan forårsage irritation eller forbrændinger.

- **Brug ikke et batteri eller en maskine, der er beskadiget eller modificeret.** Beskadigede eller modificerede batterier kan opføre sig uforudsigeligt og forårsage brand, eksplosion eller risiko for personskade.
- **Udsæt ikke et batteri eller en maskine for ild eller for høj temperatur.** Udsættelse for ild eller temperaturer over 130 °C kan forårsage eksplosion.
- **Følg alle anvisninger vedrørende opladning, og oplad ikke batteriet eller maskinen uden for temperaturområdet, der står i anvisningerne.** Forkert opladning eller temperaturer uden for det angivne område kan beskadige batteriet og øge risikoen for brand.

DK

#### SERVICE

- **Få maskinen serviceeret af en kvalificeret tekniker, og brug kun originale reservedele.** Dette vil sikre, at maskinen fortsat er sikker at bruge.
- **Du må aldrig selv forøge at reparere beskadigede batterier.** Beskadigede batterier må kun repareres af producenten eller godkendte servicecentre.

#### SIKKERHEDSADVARSLER TIL MOTORDELEN

- **Denne motordel PHA7400E må kun bruges med følgende EGO-tilbehør eller tilbehør, som EGO senere har introduceret til brug med denne motordel:**

TILBEHØRSTYPE	MODELNUMMER
Sneglebor til jord	ETA0800E
Sneglebor til is	ITA0800E


- **Hvis et sneglebor revner, bøjer eller på anden måde beskadiges, skal det skiftes.** Hvis maskinen bruges med en beskadiget sneglebor, kan det føre til alvorlige personskader.
- **Brug aldrig snegleboret med håndtagene over hoftehøjde.** Det begrænser kontrollen over snegleboret og det kan øge risikoen for skader.
- **Hold maskinen med begge hænder på håndtagene.** Tab af kontrol kan føre til personskader.
- **Hold kun maskinen på de isolerede gribeblader, hvis det bruges på steder, hvor det kan komme i kontakt med strømførende ledninger.** Hvis boretilbehøret rammer en strømledende ledning, kan metaldelene på maskinen blive "strømledende", hvilket kan give brugeren elektrisk stød.

- **For at reducere risikoen for elektrisk stød, må snegleboret aldrig bruges i nærheden af nedgravede strømkabler.** Kontakt med eller brug i nærheden af nedgravede strømkabler, kan føre til alvorlige personskader eller livsfarlig elektrisk stød.
- **Maskinen skal altid startes på den lave hastighed og med sneglebordets spids i kontakt med jorden.** På højere hastigheder kan boret bøje, hvis det får lov til at dreje frit uden at komme i kontakt med jorden, hvilket kan føre til personskader.
- **Påfør kun tryk i direkte linje med boret, og undgå at trykke for hårdt.** Bits kan bøje, som kan føre til beskadigelse eller tab af kontrol, hvilket kan føre til personskader.
- **Sørg altid for at have et godt fodfæste.** Sørg for, at der ikke er nogen personer under dig, hvis du bruger maskinen på høje steder.
- **Hold ordentligt fast i maskinen.**
- **Hold hænderne væk fra drejende dele.**
- **Efterlad ikke maskinen, når den holdes i hånden.**
- **Undgå, at røre sneglekronen umiddelbart efter brug.** Det kan være meget varmt og du kan brænde din på det.
- **Hvis der er noget galt med maskinen, f.eks. hvis den lyder unormal, skal du straks holde op med at bruge den og kontakte dit lokale servicecenter for at få den repareret.**
- **For at reducere risikoen for eksplosion må snegleboret aldrig bruges i nærheden af nedgravede gasledninger, herunder vandledninger og rør.** Kontakt med eller brug i nærheden af nedgravede vand- eller gasledninger kan sprænge vandledningerne og føre til eksplosion fra gasledninger, hvilket kan være livsfarligt eller føre til alvorlige personskader.
- **Et sneglebor må aldrig bruges på højere hastigheder end hvad det er beregnet til.** På højere hastigheder kan boret bøje, hvis det får lov til at dreje frit uden at komme i kontakt med arbejdsemnet, hvilket kan føre til personskader.
- **Batteridrevne maskiner behøver ikke at være tilsluttet en stikkontakt, og derfor er de altid driftsklar.** Vær opmærksom på mulige farer, selv når maskinen ikke er i drift. Vær forsigtig, når du udfører vedligeholdelse eller service.
- **Undlad at vaske maskinen med en slange.** Udgå af vand trænger ind i motor og elektriske forbindelser.

- **Isklingerne er meget skarpe. Vær meget forsigtig, når du borer et hul eller skifter klingerne. Sæt klingebeskyttelsen på efter hver brug.**
- **Se regelmæssigt efter, om låseskruen er spændt ordentligt fast.**

**GEM DISSE VEJLEDNINGER.** Brug dem regelmæssigt, og brug dem til at instruere andre, der skal bruge denne maskine. Hvis du låner denne maskine ud til andre personer, skal disse vejledninger følge med, så produktet ikke bruges forkert, hvilket kan føre til personskader.

## SPECIFIKATIONER

Spænding	56 V 	
Drejningsmoment	74 Nm	
Hastighed uden belastning (n <sub>v</sub> )	Fremad	Lav: 0-150 /min. Høj: 0-210 /min.
	Bagud	100 /min.
Vægt (uden batteri)	10,2 kg	

## LISTE OVER DELE (FIG. A1)

### BESKRIVELSE

#### KEND DIN MOTORDEL (fig. A1)

1. Venstre håndtag
2. Højre håndtag
3. Valg af drejeretning/hastighed
4. Låseknap
5. Startknap
6. Knap til frigørelse af batteri
7. LED-indikator
8. Motorhoved
9. Port til batteripakke
10. Topnøgle (10 mm)
11. Unbrakonøgle (5 mm)

### SAMLING

#### MONTERING AF HÅNDTAGENE

1. Sørg for at batteriporten vender bagud og sæt rørene på højre og venstre håndtag ind i de buede åbninger på bunden af motordel (fig. B1).
2. Sørg for at de to huller i hvert rør til håndtaget passer med de to huller i rillen på hver fod.

**BEMÆRK:** Forkert montering af højre/venstre håndtagene gør at disse huller ikke passer sammen.

- Brug 8 sæt af bolte, skiver og møtrikker til at spænde håndtagene fast på motordelen. Brug skruenøglen og 5 mm unbrakonøglen til at spænde dem ordentligt fast (fig. B2).
- Sørg for at pilen på kablet til højre håndtag passer med pilen på motordelens kabel. Sæt derefter kabelstikket på højre håndtag i kabelstikket på motordelen. Spænd dem ordentligt fast (fig. B2).

**BEMÆRK:** For at undgå at beskadige kablet, må det ikke bøjes eller vrides under monteringen.

B1-1	Højre håndtag	B1-2	Venstre håndtag
B1-3	Port til batteripakke	B2-1	Bolt
B2-2	Spændeskive	B2-3	Møtrik
B2-4	Kabelstik	B2-5	Kabelstik

#### MONTERING AF MOTORDELEN

**⚠ ADVARSEL:** Læs og forstå hele brugsanvisningen for hvert ekstra stykke tilbehør, der anvendes med denne motordel, og følg alle advarsler og instruktioner. Hvis du ikke følger alle instruktionerne nedenfor, kan det medføre elektrisk stød, brand og/eller alvorlig personskade.

**⚠ ADVARSEL:** Denne 56 V motordel PHA7400E er designet til kun at blive brugt med tilbehørsmodeller fra EGO, der er angivet i denne brugsanvisning eller efterfølgende er lanceret af EGO til brug med denne motordel. Brug af andet tilbehør, der ikke er godkendt, kan forårsage alvorlige personskader eller materielle skader.

**⚠ ADVARSEL:** Tilbehør må aldrig installeres, fjernes eller tilpasses, når motorhovedet kører eller med batteriet sat i. Motoren skal standses og batteriet skal fjernes, da der ellers kan ske alvorlige personskader.

**MOTORHOVEDET MÅ ALDRIG BRUGES, HVIS TILBEHØRET IKKE ER SAT PÅ.**

## BETJENING

### PÅSÆTNING / AFTAGNING BATTERIPAKKEN

Produktet må kun bruges med EGO's batteripakker og opladere, der er anført i fig A2.

**Lad batteriet helt op inden første brug.**

#### Montering

Sørg for at batteriets ribber passer med monteringsrillerne, og tryk batteriet ned, indtil du hører et "klik" (fig. C1).

#### Aftagning

Tryk på knappen til batteriudløseren, og træk batteripakken ud (fig. C2).

C1-1	Monteringsrille	C1-2	Rib
C2-1	Knap til frigørelse af batteri		

#### START/STOP AF MOTORDELEN (fig. D)

- For at tænde motordelen**, skal du holde låseknapen nede og derefter trykke på udløserkontakten til startknappen. Slip låseknapen, men hold fortsat startknappen nede, for at holde saven i gang.

**BEMÆRK:** Jo mere startknappen trykkes ind, jo hurtigere kører værktøjet.

- For at slukke motordelen**, skal du slippe startknappen, og lade snegleboret stoppe helt.

D-1	Låseknap	D-2	Startknap
-----	----------	-----	-----------

#### SÅDAN VÆLGES DREJERETNINGEN OG HASTIGHEDEN (fig. E)

Hold i højre håndtag med højre hånd.

- Sæt valgknappen på "2" for at sætte maskinen til at køre fremad på høj hastighed.
- Sæt valgknappen på "1" for at sætte maskinen til at køre fremad på lav hastighed.
- Sæt valgknappen på "R" for at sætte maskinen til at køre bagud.

**BEMÆRK:** Det er kun muligt at skifte drejereetningen til at køre frem og tilbage, når motorhovedet er stoppet.

**BEMÆRK:** Det er altid muligt at justere hastigheden, når maskinen kører fremad, uanset om motordelen er startet eller stoppet.

E-1	Valg af drejereetning/hastighed
-----	---------------------------------

## STATUSINDIKATOR

Der er en lysindikator på snegleborets motordel, der viser maskinens driftsstatus. Lysindikatoren lyser kun, når motordelen startes.

DK

STATUS PÅ LYSINDIKATOREN	DRIFTSTILSTAND	HANDLING
Lyser grøn	Motordelen virker ordentligt.	Normal drift. Du skal ikke gøre noget.
Lyser rød	Motordelen er overbelastet.	Slip startknappen, løft snegleboret op af hullet, og se hvorfor maskinen er overbelastet. Hvis en stor genstand er i vejen for maskinen, skal du muligvis finde et andet sted at grave.  Hvis problemet ikke kan løses, skal du kontakte EGO's kundeservice og få maskinen repareret.
	Motordelen er for koldt.	Slip startknappen. Tag sneslyngen indendørs for at varme den op.
Lyser orange	Beskyttelse mod tilbageslag.	Slip startknappen, og løft snegleboret op af hullet. Start snegleboret igen, og stik det forsigtigt ned i hullet igen.
Blinker rødt	Batteripakken er næsten brugt op.	Oplad batteripakken.
Blinker orange	Motordelen er overophedet.	Stop sneslyngen, og vent indtil den har kølet ned.
Blinker grøn og rød.	Kommunikationsfejl.	Kontakt EGO's kundeservice for reparation.
Lyser ikke.	Hvis lysindikatoren på batteripakken blinker orange eller lyser rød, er batteripakken overophedet.	Lad batteripakken køle ned, hvorefter sneslyngen kan startes igen.
	Anden elektronik fejl.	Kontakt EGO's kundeservice for reparation.

## VEDLIGEHOLDELSE

**⚠ ADVARSEL:** For at undgå alvorlig personskade, skal du tage batteripakken ud af produktet før service, rengøring, udskiftning af tilbehør, og før der fjernes noget fra apparatet.

### GENEREL VEDLIGEHOLDELSE

Undgå, at bruge opløsningsmidler til rengøring af plastdele. De fleste plastmaterialer risikerer at blive ødelagt, ved brug af forskellige slags alment tilgængelige opløsningsmidler. Brug rene klude til at fjerne snavs, støv, olie, fedt, osv.

**⚠ ADVARSEL:** Lad aldrig bremsevæske, benzin, oliebaseerede produkter, indtrængende olier osv. komme i kontakt med dele af plastic. Kemikalier kan beskadige, svække og ødelægge plastic, hvilket kan føre til alvorlige personskader.

## OPBEVARING AF MOTORDEL

1. Tag batteripakken ud af motorhovedet.
2. Rengør motordelen grundigt før opbevaring.
3. Motordelen skal opbevares på et tørt og godt ventileret sted, der er låst og utilgængeligt for børn. Motordelen må ikke opbevares på eller ved siden af kunstgødning, benzin eller andre kemikalier.

## BESKYTTELSE AF MILJØET



Elektrisk udstyr, batterioplader og batterier må ikke smides ud sammen med almindelig husholdningsaffald! Tag dette produkt til en autoriseret genbrugsplads, og sørg for at det sendes til genbrug. Elektriske værktøjer skal returneres til et miljøkompatibelt genvindingсанlæg.



---

## FEJLFINDING

Se brugsanvisningen for det relevante tilbehør.

## GARANTI

### EGO GARANTI POLITIK

Besøg venligst hjemmesiden [egopowerplus.eu](http://egopowerplus.eu) for fuldstændige vilkår og betingelser for EGO's garantipolitik.

DK

## LÄS IGENOM ALLA INSTRUKTIONER!



### LÄS IGENOM BRUKSANVISNINGEN

**⚠ VARNING:** För att garantera en säker och pålitlig användning måste alla reparationer utföras av en kvalificerad servicetekniker.

## SÄKERHETSSYMBOL

Syftet med säkerhetssymboler är att uppmärksamma eventuella faror. Säkerhetssymbolerna och förklaringarna av dessa kräver din fullständiga uppmärksamhet och förståelse. Symbolvarningarna i sig eliminerar inte några faror. Instruktionerna och varningarna som ges är inte något substitut för korrekta åtgärder för förhindrande av olyckor.

SE

**⚠ VARNING:** ar noga med att läsa igenom och förstå alla säkerhetsinstruktioner i denna bruksanvisning, inklusive alla varningssymboler såsom "FARAR," "VARNING," och "FÖRSIKTIGHET" innan maskinen används. Underlåtenhet att läsa alla instruktioner som listas nedan kan resultera i elektrisk stöt, brand och/eller allvarlig personskada.

## SÄKERHETSINSTRUKTIONER

Denna sida framställer och beskriver säkerhetssymboler som kan visas på denna produkt. Läs igenom, förstå och följ alla instruktioner på maskinen innan försök görs att montera och hantera den.



Säkerhetslarm



För att minska risken för skador måste användaren läsa bruksanvisningen.



Använd hörselskydd



Använd ögonskydd



Förbrukade elektriska produkter får inte kastas i hushållssoporna. Lämna in dem till en auktoriserad återvinningsstation.



Denna produkt är i enlighet med gällande EG-direktiv.



Likström



Brittisk överensstämmelse bedömd

V

Spänning

kg

Kilogram

IPX4

Skydd mot stänkande vatten

## ALLMÄNNA VARNINGAR FÖR MASKINSÄKERHET

**⚠ VARNING:** Läs igenom alla säkerhetsvarningar, instruktioner, illustrationer och specifikationer som medföljer denna maskin. Underlåtenhet att följa alla instruktioner som listas nedan kan resultera i elektriska stötar, brand och/eller allvariga personskador.

Spara alla varningar och instruktioner för framtida referens.

### ARBETSPLATSSÄKERHET

- **Håll arbetsområdet rent och ordentligt upplyst.** Belamrade eller mörka områden inbjuder till olyckor.
- **Använd inte maskiner i explosiva miljöer som t.ex. i närvaron av brandfarliga vätskor, gaser eller damm.** Maskiner skapar gnistor som kan antända damm eller ångor.
- **Håll barn och åskådare borta medan maskinen arbetar.** Störningarna kan göra att du tappar kontrollen.

### ELEKTRISK SÄKERHET

- **Maskinens stickkontakt måste matcha uttaget. Modifiera aldrig kontakten på något sätt. Använd inte någon adapterkontakt med motordrivna verktyg som är jordade.** Stickkontakter som inte modifierats och passar i eluttaget minskar risken för elektriska stötar.
- **Undvik kroppskontakt med jordanslutna eller jordade ytor såsom rör, värmeelement, spisar och kylskåp.** Det finns en ökad risk för elektrisk stöt om din kropp är jordansluten eller jordad.
- **Utsätt inte maskiner för regn eller våta förhållanden.** Om vatten tränger in i en maskin ökar risken för elektriska stötar.
- **Utsätt inte elverktyg för regn eller våta förhållanden. Använd aldrig kabeln för att bära, släpa eller för att koppla ur maskinen. Håll kabeln borta från värme, olja, skarpa kanter och rörliga delar.** Skadade eller tilltrasslade sladdar ökar risken för elektrisk stöt.
- **Vid användning av en maskin utomhus, använd en förlängningskabel som är avsedd för utomhusbruk.** Användning av en sladd som passar för utomhusanvändning minskar risken för elektrisk stöt.
- **Om arbete med en maskin i en fuktig lokal är oundvikligt, använd en jordfelsbrytare.** Användning av en jordfelsbrytare minskar risken för elstöt.

### PERSONLIG SÄKERHET

- **Var uppmärksam och observant samt använd sunt förnuft när du använder en maskin. Använd inte en maskin om du är trött eller under påverkan av droger, alkohol eller medicin.** Ett ögonblicks uppmärksamhet vid användning av maskiner kan leda till allvariga personskador.
- **Använd personlig skyddsutrustning. Använd alltid skyddsglasögon. Minska risken för personskador genom att använda skyddsutrustning som t.ex. ansiktsmask, halkfria skyddsskor, hjälm och hörselskydd.**
- **Förebygg oavsiktlig start. Se till att strömbrytaren är i frånläge innan du ansluter till strömkällan och/eller batteripaketet, plockar upp eller bär verktyget.** Att bära maskiner med fingret på strömbrytaren eller strömsatta maskiner som har strömbrytaren påslagen inbjuder till olyckor.
- **Ta bort inställningsnycklar eller skiftnycklar innan maskinen slås på.** En skiftnyckel eller en nyckel som sitter kvar på en roterande del av maskinen kan resultera i personskada.
- **Sträck dig inte för långt. Ha ordentligt fotfäste och balans hela tiden.** Detta möjliggör bättre kontroll av maskinen i oväntade situationer.
- **Klä dig på lämpligt sätt. Använd inte löst sittande kläder eller smycken. Håll hår och klädsel på avstånd från de rörliga delarna.** Löst sittande kläder, smycken och långt hår kan fastna i de rörliga delarna.
- **Om enheter har anslutning för dammuppsamlare och anslutningsmöjligheter, se till att de är anslutna och används på korrekt sätt.** Användning av dammuppsamlare kan minska dammrelaterade faror.
- **Låt inte vana efter regelbunden användning av apparaten göra att du blir självsäker och ignorerar verktygets säkerhetsprinciper.** En vårdslös handling kan orsaka allvariga personskador inom bråkdelen av en sekund.

### MASKINANVÄNDNING OCH SKÖTSEL

- **Tvinga inte maskinen. Använd rätt maskin för ditt arbete.** En korrekt maskin utför jobbet bättre och säkrare med den hastighet som den designats för.
- **Använd inte maskinen om strömbrytaren inte slår på och av den.** Alla maskiner som inte kan styras med strömbrytaren är farliga och måste repareras.
- **Koppla ur kontakten från strömkällan och/eller ta bort batteripaketet, om det är löstagbart, från maskinen innan du utför justeringar, byter tillbehör**

SE

eller förvarar maskiner. Dessa förebyggande säkerhetsåtgärder minskar risken för att elverktyget startas oavsiktligt.

- **Förvara maskiner som går på tomgång utom räckhåll för barn och låt inte personer som är ovana med apparaten eller dessa instruktioner använda maskinen.** Maskiner är farliga i händerna på utbildade användare.
- **Underhålla maskiner och tillbehör. Kontrollera efter felinställning eller kärvande rörliga delar, brott på delar och alla andra tillstånd som kan påverka funktionen hos maskinen. Om maskinen är skadad ska den repareras före användning.** Många olyckor beror på dåligt underhållna maskiner.
- **Håll klippmaskiner vassa och rena.** Ordentligt underhållna kapmaskiner med vassa sågkanter är mindre sannolika att fastna och är lättare att kontrollera.
- **Använd maskinen, tillbehör, verktygsbits osv. i enlighet med dessa instruktioner och ta hänsyn till arbetsförhållanden och det arbete som ska utföras.** Om maskinen används för andra arbeten än det är avsett för kan det resultera i farliga situationer.
- **Håll handtagen och greppytorna torra, rena och fria från olja och fett.** Håll handtag och greppytor förhindrar säker hantering och kontroll av maskinen vid oväntade situationer.

## ANVÄNDNING OCH SKÖTSEL AV BATTERIDRIVEN MASKIN

- **Ladda endast med den laddare som rekommenderas av tillverkaren.** En laddare som är lämplig för en typ av batteripaket kan skapa en risk för brand när den används med ett annat batteripaket.
- **Använd endast maskiner med specifikt designade batteripaket.** Användning av andra batteripaket kan medföra risk för personskador och eld.
- **När batteripaketet inte används, håll det borta från metallobjekt som t.ex. pappersgem, mynt, nycklar, spikar, skruvar och andra små metallobjekt som kan bilda en anslutning från en batterikontakt till den andra.** Kortslutning av batteriets terminaler kan orsaka brännskador eller en brand.
- **Under olämpliga förhållanden kan vätska spruta ut från batteriet. Undvik kontakt. Vid oavsiktlig kontakt, spola med vatten. Om vätskan kommer i kontakt med ögonen, sök också läkarhjälp.** Vätska som sprutar ur batteriet kan orsaka sveda och brännskador.
- **Använd inte ett batteripaket eller maskin som skadats eller modifierats.** Skadade eller modifierade

batterier kan leda till oförutsägbart uppträdande som leder till brand, explosion eller risk för personskador.

- **Utsätt inte batteripaketet eller maskinen för eld eller extrema temperaturer.** Exponering av eld eller temperaturer över 130 °C kan orsaka explosion.
- **Följ alla laddningsinstruktioner och ladda inte batteripaketet eller maskinen utanför det temperaturområde som anges i instruktionerna.** Felaktig laddning eller vid temperaturer utanför angivet temperaturområde kan skada batteriet och ökar risken för brand.

## SERVICE

- **Lämna in din maskin för service hos en kvalificerad servicetekniker som endast använder identiska utbytesdelar.** Det säkerställer att maskinens säkerhet bibehålls.
- **Utför aldrig service på skadade batteripaket.** Service av batteripaket bör endast utföras av tillverkaren eller auktoriserade serviceverkstäder.

## SÄKERHETSVARNINGAR FÖR MOTORENHET

- **Den här PHA7400E motorenheten får endast användas med följande EGO-tillsatser eller tillsatser som EGO senare har introducerat för användning med denna motorenhet:**

TILLBEHÖRSTYP	MODELLNUMMER
Jordborr	ETA0800E
Isborr	ITA0800E

- **Byt ut skruvarna om de är spruckna, böjda eller skadade på något sätt.** Användning av maskinen med en skadad skruv kan resultera i allvarliga skador.
- **Använd aldrig skruven med handtagen över midjenivån.** Detta begränsar kontrollen över skruven och kan öka risken för skador.
- **Håll maskinen med båda händerna vid de avsedda handtagen.** Förlust av kontroll kan orsaka personskada.
- **Håll endast elverktyget i de isolerade greppytorna när arbete utförs där sågtillbehöret kan komma i kontakt med dolda elledningar.** vande tillbehör som kommer i kontakt med en strömförande ledning kan göra att exponerade metalldelar hos elverktyget blir strömförande och kan ge användaren en elektrisk stöt.
- **För att minska risken för dödsfall med elstöt, använd aldrig matarskruven i närheten av nedgrävda elkablar.** Kontakt med eller användning nära nedgrävda elkablar kan orsaka allvarliga skador eller elektriska stötar som leder till dödsfall.



- **Börja alltid borra med låg hastighet och låt kronans spets vara i kontakt med arbetsstycket.** Vid högre hastigheter kommer kronan sannolikt att böjas om den får rotera fritt utan att komma i kontakt med arbetsstycket, vilket leder till personskada.
- **Tillför endast tryck i direkt linje med kronan och använd inte ett alltför stort tryck.** Kronor kan böjas och orsaka brott eller förlust av kontroll, vilket kan resultera i personskada.
- **Var alltid säker på att du har ett stadigt fotfäste.** Se till att ingen är under när du använder maskinen på höga platser.
- **Håll maskinen stadigt.**
- **Håll händerna borta från roterande delar.**
- **Lämna inte maskinen när den är igång. Använd endast maskinen när den är handhållen.**
- **Rör inte vid borrhäret omedelbart efter drift.** Det kan vara extremt varmt och kan bränna din hud.
- **Om något är fel med maskinen, till exempel onormala ljud, sluta omedelbart att fungera och kontakta ditt lokala servicecenter för reparation.**
- **För att minska risken för explosion, använd aldrig skruven nära nedgrävda gasledningar, inklusive vattenledningar och rör.** Kontakt med eller användning nära nedgrävda vatten- eller gasledningar kan resultera i att vattenledningar sprängs och explosioner från gasledningar, vilket kan orsaka allvarliga skador eller dödsfall.
- **Använd aldrig en högre hastighet än borrkronans maximala hastighet.** Vid högre hastigheter kommer kronan sannolikt att böjas om den får rotera fritt utan att komma i kontakt med arbetsstycket, vilket leder till personskada.
- **Batteridrivna maskiner behöver inte vara anslutna till ett eluttag och är därför alltid redo för användning. Var medveten om eventuella faror även när verktyget inte är igång.** Var försiktig när du utför underhåll eller service.
- **Tvätta inte av den med en slang; låt inte vatten tränga in i motorn och de elektriska anslutningarna.**
- **Isbladen är mycket vassa. Var extremt försiktig när du borrar ett hål eller byter ut bladen. Sätt på bladskyddet efter varje användning.**
- **Kontrollera ofta och se till att låsskruven är säkrad på plats.**

**SPARA DESSA INSTRUKTIONER.** Läs igenom dem regelbundet och använd dem för att instruera andra som kan komma att använda denna maskin. Om du lånar ut denna maskin till någon, se även till att låna ut dessa instruktioner för att förhindra felaktig användning och eventuella personskador.

## SPECIFIKATIONER

Spänning		56 V
Vridmoment		74 Nm
Obelastad hastighet (n <sub>0</sub> )	Framåt	Låg: 0-150 /min Hög: 0-210 /min
	Bakåt	100 /min
Vikt (utan batteripaket)		10,2 kg

SE

## FÖRPACKNINGSLISTA (BILD A1)

### BESKRIVNING

#### LÄRA KÄNNA DIN MOTORENHET (bild A1)

1. Vänster handtag
2. Höger handtag
3. Rotationsriktnings-/hastighetsväljare
4. Startspär
5. Avtryckare för variabel hastighet
6. Låsknapp för batteriet
7. LED-indikator
8. Motorenhet
9. Port för batteripaket
10. Hylsnyckel (10 mm)
11. Insexnyckel (5 mm)

### MONTERING

#### INSTALLERA HANDTAGEN

1. Med batteriporten vänd bakåt, för in rören på höger och vänster handtag i de böjda skårorna på strömhuvudets bas (bild B1).
2. Rikta in de två hålen i varje handtagsrör med de två hålen i varje basspringa.

**NOTERA:** Felaktig höger/vänster installation av handtagen kommer att förhindra att dessa hål hamnar i linje.

3. Använd 8 uppsättningar bultar, brickor och muttrar för att fästa handtagen på krafthuvudet. Använd skiftnyckeln och 5 mm insexnyckel för att dra åt dem ordentligt (bild B2).

4. Rikta in pilen på höger handtagskabel med pilen på motorenhetens kabel. Sätt sedan in kabelkontakten på det högra handtaget i strömhuvudets kabeluttag. Dra åt dem ordentligt (bild B2).

**UPPMÄRKSAMMA:** För att förhindra skador på kabeln ska den inte böjas eller vridas under monteringen.

B1-1	Höger handtag	B1-2	Vänster handtag
B1-3	Port för batteripaket	B2-1	Bult
B2-2	Bricka	B2-3	Mutter
B2-4	Kabelkontakt	B2-5	Kabeluttag

SE

## INSTALLERA EN MOTORENHETSTILLSATS

**⚠ VARNING:** Läs igenom och förstå den fullständiga bruksanvisningen för varje tillbehör (valfritt) som används på denna motorenhet och följ alla varningar och instruktioner. Underlåtenhet att följa alla instruktioner kan resultera i elektriska stötar, brand och/eller allvarliga personskador.

**⚠ VARNING:** Denna 56 volts motorenhet PHA7400E är endast utvecklad för användning med EGO-tillbehör av modellerna som anges i denna bruksanvisning eller senare införts av EGO för användning med denna motorenhet. Användning av andra, otillåtna tillbehör kan orsaka allvarlig personskador eller skador på egendom.

**⚠ VARNING:** Du får aldrig installera, ta bort eller justera något tillbehör medan motorenheten är igång eller med batteriet monterat. Underlåtenhet att stoppa motorn och ta ut batteriet kan orsaka allvarliga personskador.

**ANVÄND ALDRIG MOTORENHETEN UTAN ETT TILLBEHÖR.**

## DRIFT

### FÄST/TA LOSS BATTERIPAKETET

Använd endast EGO:s batteripaket och laddare som listas i bild A2.

**Ladda fullt innan första användning.**

### Fästa

Rikta in listerna på batteriet med monteringsspåren och tryck sedan ner batteripaketet tills du hör ett "klick" (bild C1).

### Ta bort

Tryck in batterilåsknappen och dra sedan ut batteripaketet (bild C2).

C1-1	Monteringsspår	C1-2	List
C2-1	Låsknapp för batteriet		

### STARTA/STOPPA MOTORENHETEN (bild D)

- Med motorenheten påslagen, tryck ned och håll nere låsknappen, tryck sedan in avtryckaren för variabel hastighet för att starta. Släpp låsknappen och fortsätt att klämma in avtryckaren för fortsatt drift.

**NOTERA:** Den variabla hastighetsavtryckaren ger högre hastighet med ökat avtryckartryck och lägre hastighet med minskat avtryckartryck.

- Med motorenheten avstängd, släpp avtryckaren och låt verktyget stanna helt.

D-1	Startspärr	D-2	Hastighetsreglage variabel hastighet
-----	------------	-----	--------------------------------------

### VÄLJA ROTATIONSRIKTNING OCH HASTIGHET (bild E)

Håll i höger handtag med höger hand.

- Skjut väljaren till läget "2" för att aktivera framåtrotnation med hög hastighet.
- Skjut väljaren till läget "1" för att aktivera framåtrotnation vid låg hastighet.
- Tryck väljaren till "R"-läget för att aktivera omvänd rotation.

**NOTERA:** Växling av rotationsriktning mellan framåt och bakåt är endast möjligt när motorenheten är stoppad.

**NOTERA:** Hastighetsjusteringen framåt kan uppnås när som helst, oavsett om motorenheten startas eller stoppas.

E-1	Rotationsriktning / hastighetsväljare
-----	---------------------------------------

## STATUSINDIKATOR

Skruvens motorenhet har en LED-statusindikator för att visa maskinens arbetsstatus. Strömindikatorn tänds endast när motorenheten är startad.

LED-STATUSINDIKATOR	FUNGERANDE SKICK	ÅTGÄRD
Fast grön	Motorenheten fungerar korrekt.	Normal drift. Ingen åtgärd behövs.
Fast Röd	Motorenheten är överbelastad.	Släpp avtryckaren, lyft upp skruven från hålet och kontrollera orsakerna till överbelastning. Du kan behöva hitta en annan plats att gräva på om ett stort hinder har fått maskinen att stanna.  Om problemet inte kan lösas, kontakta EGO kundtjänst för reparation.
	Motorenheten är för kall.	Släpp upp avtryckaren. Ta med skruven inomhus för att värma upp den.
Fast orange	Skydd mot rekyl.	Släpp avtryckaren, lyft upp skruven från hålet. Starta om skruven och sänk den försiktigt tillbaka i hålet.
Bliktar rött	Batteripaketets laddning är nästan slut.	Ladda batteripaketet.
Bliktar orange	Motorenheten är överhettad.	Stoppa skruven och vänta en stund för att låta maskinen svalna.
Bliktar grön och röd alternerande.	Kommunikationsfel.	Kontakta EGO kundtjänst för hjälp.
Inget ljus.	Om LED-indikatorn på ett eller båda batteripaketet blinkar orange eller lyser rött är batteripaketet/batterierna överhettade.	Låt batteripaketet svalna och starta om skruven igen.
	Annat elektronikfel.	Kontakta EGO kundtjänst för hjälp.

SE

## UNDERHÅLL

**⚠ VARNING:** För att förhindra allvarliga personskador ska du ta ut batteripaketet före service, rengöring, ändring av tillbehör eller borttagning av material från enheten.

### ALLMÄNT UNDERHÅLL

Använd inte lösningsmedel när du rengör plastdelarna. De flesta plaster är känsliga för skador från olika typer av kommersiella lösningsmedel och kan skadas av dess användning. Använd en ren trasa för att ta bort smuts, damm, olja, fett osv.

**⚠ VARNING:** Låt aldrig bromsvätska, bensin, petroleumbaserade produkter, smörj fett osv. komma i kontakt med plastdelarna. Kemikalier kan skada, försvaga eller förstöra plast, vilket kan resultera i allvarliga personskador.

## FÖRVARA MOTORENHETEN

1. Ta ut batteripaketet från motorenheten.
2. Rengör motorenheten noga innan förvaring.
3. Förvara motorenheten på en torr, välventilerad plats, inlåst eller högt upp, utom räckhåll för barn. Förvara inte motorenheten på eller i anslutning till gödningsmedel, bensin eller andra kemikalier.

## SKYDDA MILJÖN



Kasta inte elektrisk utrustning, använt batteri och laddare i hushållssoporna! Ta denna produkt till en auktoriserad återvinnare och gör den tillgänglig för separat insamling. Elektriska verktyg måste returneras till en miljöanpassad återvinningsanläggning.



## FELSÖKNING

Se bruksanvisningen för tillämpliga tillbehör.

## GARANTI

### EGO GARANTYPOLICY

Besök webbsidan [egopowerplus.eu](http://egopowerplus.eu) för fullständiga villkor för EGO garantipolicy.

**SE**

## LUE KAIKKI OHJEET!



### LUE KÄYTTÖOPAS

**VAROITUS:** Pätevän huoltoteknikon tulee suorittaa kaikki korjaukset, jotta voidaan taata tuotteen turvallinen ja luotettava käyttö.

## TURVALLISUUSSYMBOLI

Turvallisuussymbolien tarkoituksena on kiinnittää huomiota mahdollisiin vaaroihin. Turvallisuussymbolit ja niiden selitykset on syytä lukea tarkkaan ja ymmärtää perusteellisesti. Varoitussymbolit eivät yksin poista vaaran mahdollisuutta. Niiden antamat ohjeet ja varoitukset eivät korvaa kunnollisia onnettomuuksien ehkäisytöimenpiteitä.

**VAROITUS:** Lue ja ymmärrä tämän käyttöoppaan kaikki turvallisuusohjeet, mukaan lukien turvallisuusvaroitussymbolit, kuten "VAARA", "VAROITUS" ja "HUOMIO" ennen koneen käyttämistä. Alla olevien ohjeiden noudattamatta jättäminen saattaa aiheuttaa sähköiskun, tulipalon ja/tai vakavan henkilövahingon.

**FI**

## TURVALLISUUSOHJEET

Tällä sivulla kuvataan ja esitellään turvallisuussymbolit, jotka saattavat esiintyä tässä tuotteessa. Lue, ymmärrä ja noudata kaikkia laitteen ohjeita ennen kuin yrität koota sen tai käyttää sitä.



Turvallisuushälytys



Käyttäjän on luettava käyttöopas loukkaantumisvaaran vähentämiseksi.



Käytä kuulosuojaimia



Käytä silmäsuojaimia



Vanhoja sähkölaitteita ei saa hävittää kotitalousjätteen mukana. Vie laite valtuutettuun kierrätyslaitokseen.



Tämä tuote vastaa sovellettavia EU-direktiivejä.



Tasavirta



UK Vaatimustenmukaisuus arvioitu

V Jännite

kg Kilogramma

IPX4 Suojaus vesiroiskeilta

## YLEISET KONEEN TURVALLISUUSVAROITUKSET

**VAROITUS:** Lue kaikki tämän koneen mukana tulleet turvallisuusvaroitukset, ohjeet, piirustukset ja tekniset tiedot. Jos kaikkia alla olevia ohjeita ei noudateta, seurauksena saattaa olla sähköisku, tulipalo ja/tai vakava loukkaantuminen.

Säilytä kaikki varoitukset ja ohjeet myöhempää käyttöä varten.

### TYÖALUEEN TURVALLISUUS

- Pidä työskentelyalue siistinä ja hyvin valaistuna. Sotkuiset tai hämärät alueet aiheuttavat onnettomuuksia.
- Älä käytä koneita räjähdysriskissä ympäristössä, kuten esimerkiksi syttyvien nesteiden, bensiinin tai pölyjen lähellä. Koneet saattavat aiheuttaa kipinöitä, jotka voivat sytyttää pölyn tai höyryt.
- Älä päästä lapsia tai sivullisia lähelle, kun käytät konetta. Häiriötekijät voivat aiheuttaa hallinnan menettämisen.

### SÄHKÖTURVALLISUUS

- Koneen pistokkeiden on vastattava pistorasiaa. Älä ikinä muokkaa pistotulppaa millään tavalla. Älä käytä minkäänlaisia sovitinpistokkeita maadoitettujen koneiden kanssa. Muokkaamattomat pistokkeet ja niihin sopivat pistorasiat vähentävät sähköiskun vaaraa.
- Vältä koskemasta vartalollasi maadoitettuihin pintoihin, kuten putkiin, lämmityspattereihin, liesiin ja jääkaappeihin. Sähköiskun riski kasvaa, jos kehosi on maadoitettu.
- Älä altista koneita sateelle tai märille olosuhteille. Koneeseen pääsevä vesi lisää sähköiskun vaaraa.
- Älä väärinkäytä johtoa. Älä ikinä käytä johtoa koneen kantamiseen, vetämiseen tai pistokkeen irrottamiseen. Pidä johto poissa tulen, öljyn, terävien reunojen tai liikkuvien osien läheltä. Vahingoittuneet tai sotkuneet johdot lisäävät sähköiskun vaaraa.
- Kun käytät konetta ulkona, käytä ulkokäyttöön tarkoitettua jatkojohtoa. Ulkokäyttöön tarkoitettun jatkojohtoon käyttö vähentää sähköiskun riskiä.
- Jos et voi välttää sähkötyökoneen käyttöä kosteissa olosuhteissa, käytä vikavirtasuojakytkimellä varustettua pistorasiaa. Vikavirtasuojakytkimen käyttö vähentää sähköiskun vaaraa.

### HENKILÖKOHTAINEN TURVALLISUUS

- Ole valpas, tarkkaavainen ja käytä maalaisjärkeä, kun käytät konetta. Älä käytä konetta, kun olet väsynyt tai kun olet huumeiden, alkoholin tai lääkityksen vaikutuksen alaisena. Hetkellinenkin huomion herpaantuminen koneita käytettäessä saattaa aiheuttaa vakavan henkilövahingon.
- Käytä henkilönsuojaimia. Käytä aina silmäsuojaimia. Suojavarusteiden, kuten hengityssuojaimen, luistamattomien turvakengien, suojakypärän tai kuulosuojaimien, käyttö tarvittaessa vähentää loukkaantumisvaaraa.
- Estä vahingossa käynnistyminen. Varmista, että kytkin on off-asennossa, ennen kuin liität virtalähteen ja/tai akun, nostat koneen tai kannat sitä. Koneen kantaminen sormi virtakytkimellä tai virta kytkettynä olevan koneen liittäminen pistorasiaan muodostaa onnettomuusvaaran.
- Poista kaikki säätöön käytetyt avaimet tai kiintoavaimet ennen kuin käynnistät koneen. Koneen pyöriivään osaan jätetty avain tai kiintoavain saattaa aiheuttaa henkilövahingon.
- Älä kurkottele. Säilytä aina tukeva asento ja hyvä tasapaino. Näin hallitset koneen parhaalla mahdollisella tavalla odottamattomissa tilanteissa.
- Pukeudu asianmukaisesti. Älä käytä väljiä vaatteita tai koruja. Pidä hiukset ja vaatteet etäällä liikkuvista osista. Väljät vaatteet, korut tai pitkät hiukset voivat tarttua kiinni liikkuviin osiin.
- Jos laitteissa on liitännät pölynpoistolaitteille ja keräilylaitteille, varmista, että ne on liitetty ja niitä käytetään oikein. Pölynpoistolaitteiden käyttö vähentää pölyyn liittyviä vaaroja.
- Älä anna koneiden tuttuuden toistuvan käytön takia tehdä sinua liian itsevarmaksi, äläkä jätä koneiden turvallisuusohjeita noudattamatta. Huolimaton toiminta voi aiheuttaa vakavan henkilövahingon sekunnin murto-osassa.

### KONEEN KÄYTTÖ JA HOITO

- Älä pakota konetta. Käytä omaan käyttötarkoitukseksi soveltuvaa konetta. Oikea kone suoriutuu parhaiten ja turvallisimmin tehtävästä sille tarkoitetulla nopeudella.
- Älä käytä laitetta, jos kytkin ei käynnistä tai sammuta sitä. Kaikki koneet, joita ei voida hallita kytkimellä, ovat vaarallisia ja ne on korjattava.
- Irrota pistoke virtalähteestä ja/tai irrota akku koneesta, jos irrotettavissa, ennen kuin teet

mitään säätöjä, vaihdet apuvälineitä tai laitat koneen varastoon. Nämä ennaltaehkäisevät turvallisuustoimenpiteet vähentävät koneen vahingossa käynnistymisen riskiä.

- Säilytä käyttämättömänä oleva kone lasten ulottumattomissa, äläkä anna henkilöiden, jotka eivät tunne konetta tai näitä ohjeita, käyttää konetta. Koneet ovat vaarallisia kokemattomien käyttäjien käsissä.
- Pidä koneet ja lisävarusteet kunnossa. Tarkista, että liikkuvat osat ovat kunnolla paikallaan, että osat ovat ehjiä, ja että koneessa ei ole muita ongelmia, jotka saattaisivat vaikuttaa sen toimintaan. Jos kone on vaurioitunut, korjauta se ennen käyttöä. Monet onnettomuudet johtuvat huonosti huolletuista koneista.
- Pidä leikkuukoneet terävinä ja puhtaina. Oikein huolletut leikkuukoneet, joissa on terävät leikkuureunat, eivät todennäköisesti jumiuudu, ja niitä on helpompi hallita.
- Käytä konetta, lisävarusteita ja koneen teriä ym. näiden ohjeiden mukaisesti ja siten, että otat huomioon käyttöolosuhteet ja tehtävän työn. Koneen käyttö muuhun kuin sille suunniteltuun tarkoitukseen saattaa aiheuttaa vaaratilanteen.
- Pidä kahvat ja tartuntapinnat kuivina, puhtaina, öljyttöminä ja rasvattomina. Liukkaat kahvat ja tartuntapinnat eivät mahdollista koneen turvallista käsittelyä ja hallintaa odottamattomissa tilanteissa.

#### AKKUKÄYTTÖISEN KONEEN KÄYTTÖ JA HOITO

- Lataa vain valmistajan määrittelemällä laturilla. Laturi, joka sopii yhdyntyyppiselle akulle voi aiheuttaa tulipalovaaran, jos sitä käytetään toisenlaisen akun kanssa.
- Käytä koneissa vain erityisesti niihin tarkoitettuja akkuja. Muunlaisten akkujen käyttö saattaa aiheuttaa henkilövahingon tai tulipalon vaaran.
- Kun akku ei ole käytössä, pidä se erillään metalliesineistä, kuten paperiliittimet, kolikot, avaimet, naulat, ruuvit ja muut pienet metalliesineet, jotka voivat yhdistää akun navat toisiinsa. Akun napojen oikosulku voi aiheuttaa palovammoja tai tulipalon.
- Akusta voi valua nestettä väärästä käytöstä johtuen. Vältä kosketusta nesteeseen. Jos kosket nesteeseen vahingossa, huuhtelee vedellä. Jos nestettä pääsee silmiin, hakeudu lääkärin hoitoon. Akusta valuva neste voi aiheuttaa ärsytystä tai palovammoja.

- Älä käytä akkua tai konetta, joka on vaurioitunut tai jota on muutettu. Vaurioituneet tai muutetut akut voivat käyttäytyä arvaamattomasti ja aiheuttaa tulipalon, räjähdyksen tai henkilövahingon vaaran.
- Älä altista akkua tai konetta tulelle tai äärimmäisille lämpötiloille. Altistaminen yli 130 °C:n lämpötilalle voi aiheuttaa räjähdyksen.
- Noudata kaikkia latausohjeita, äläkä lataa akkua tai konetta lämpötilassa, joka ei ole ohjeissa ilmoitetun lämpötila-alueen sisällä. Virheellinen lataaminen tai lataaminen ilmoitetun lämpötila-alueen ulkopuolella olevassa lämpötilassa voi vaurioittaa akkua ja lisätä palovaaraa.

#### HUOLTO

- Huollata kone asiantuntevalla korjaajalla, joka käyttää vain identtisiä varaosia. Tällä varmistetaan, että koneen turvallisuus säilyy.
- Älä koskaan huolla vaurioituneita akkuja. Akkujen huollon saa tehdä vain valmistaja tai sen valtuuttamat huoltoliikkeet.

#### AKKUPÄÄN TURVALLISUUSVAROITUKSET

- Tätä akkupäätä PHA7400E saa käyttää seuraavien EGO-lisäosien tai EGO:n tälle akkupäälle suosittelemien lisäosien kanssa:

LISÄOSAN TYYPPI	MALLIN NUMERO
Maakairan terä	ETA0800E
Jääkairan terä	ITA0800E

- Vaihda kairat, jos ne ovat halkeilleet, taipuneet tai vaurioituneet millään tavalla. Koneen käyttäminen vaurioituneella kairalla voi johtaa vakaviin vammoihin.
- Älä koskaan käytä kairaa kahvojen ollessa vyötärötason yläpuolella. Tämä rajoittaa kairan hallintaa ja voi lisätä loukkaantumisaavaaraa.
- Pidä konetta molemmin käsin siihen tarkoitettuista kahvoista. Hallinnan menetys voi aiheuttaa henkilövahinkoja.
- Pidä konetta työskentelyn aikana vain eristetyistä tartuntapinnoista, koska kaivamisväline voi osua piilossa oleviin johtoihin. Kaivamisvälineen kosketus ”jännitteeseen” johtoon saattaa tehdä koneen metalliosat ”jännitteisiksi” ja aiheuttaa sähköiskun käyttäjälle.
- Sähköiskuvaaran vähentämiseksi älä koskaan käytä kairaa maahan haudattujen sähkökaapeleiden lähellä. Kosketus haudattuihin sähkökaapeleihin tai niiden lähellä käyttäminen voi


aiheuttaa vakavia vammoja tai kuolemaan johtavan sähköiskun.

- **Käynnistä kone aina alhaisella nopeudella ja siten, että kairan kärki on kosketuksissa maahan.** Suuremmilla nopeuksilla terä todennäköisesti taipuu, jos sen annetaan pyöriä vapaasti ilman kosketusta maahan, mikä voi johtaa henkilövahinkoihin.
- **Paina terää vain suorassa linjassa, äläkä käytä liiallista painetta.** Terät voivat taipua ja aiheuttaa rikkoutumisen tai hallinnan menettämisen, mikä voi johtaa henkilövahinkoihin.
- **Varmista aina, että sinulla on vakaa asento.** Varmista, että kukaan ei ole alla, jos käytät konetta korkeissa paikoissa.
- **Pidä koneesta tukevasti kiinni.**
- **Pidä kädet etäällä pyörivistä osista.**
- **Älä jätä konetta käyntiin.** Käytä laitetta vain kädessä pitäen.
- **Älä koske kairan terään heti käytön jälkeen.** Se voi olla erittäin kuuma ja voi polttaa ihoa.
- **Jos koneessa on jotain vikaa, kuten epänormaaleja ääniä, lopeta käyttö välittömästi ja ota yhteyttä paikalliseen huoltoliikkeeseen korjausta varten.**
- **Räjähdyksivaaran vähentämiseksi älä koskaan käytä kairaa maan alle haudattujen kaasuputkien, vesijohtojen ja -putkien lähellä.** Kosketus maahan haudattujen vesi- tai kaasulinjojen kanssa tai käyttö niiden lähellä voi johtaa vesijohtojen puhkeamiseen ja kaasuputkien räjähdykseen, mikä voi aiheuttaa vakavia vammoja tai kuoleman.
- **Älä koskaan käytä suurempaa nopeutta kuin kairan terän suurin sallittu nopeus.** Suuremmilla nopeuksilla terä todennäköisesti taipuu, jos sen annetaan pyöriä vapaasti ilman kosketusta työkappaleeseen, mikä voi johtaa henkilövahinkoihin.
- **Akkukoneita ei tarvitse liittää sähköverkkoon.** Tästä syystä ne ovat aina käyttökunnossa. Huomioi mahdolliset vaarat myös silloin, kun kone ei ole käynnissä. Ole varovainen tehdessäsi kunnossapito- tai huoltotoimenpiteitä.
- **Älä puhdista letkulla; vältä veden pääsemistä moottoriin ja sähköliitäntöihin.**
- **Jääterät ovat erittäin teräviä. Ole erittäin varovainen, kun poraat reikää tai vaihdat terää.** Aseta teränsuoja paikalleen jokaisen käyttökerran jälkeen.
- **Tarkista säännöllisesti ja varmista, että lukitusruuvi on kiinnitetty paikoilleen.**

FI

**SÄILYTÄ NÄMÄ OHJEET.** Lue ohjeet säännöllisesti ja käytä niitä muiden koneen käyttäjien ohjeistamisessa. Jos lainaat tämän koneen jollekulle muulle, lainaa samalla myös nämä ohjeet tuotteen väärinkäytön ja mahdollisen henkilövahingon estämiseksi.

## TEKNISET TIEDOT

Jännite	56 V 	
Vääntömomentti	74 Nm	
Tyhjäkäyntinopeus (n <sub>0</sub> )	Eteenpäin	Matala: 0–150/min Korkea: 0–210/min
	Taaksepäin	100/min
Paino (ilman akkua)	10,2 kg	

## PAKKAUSLUETTELO (KUVA A1)

### KUVAUS

#### TUNNE AKKUPÄÄ (KUVA A1)

1. Vasen kahva
2. Oikea kahva
3. Pyörimissuunnan/nopeuden valitsin
4. Lukituksen vapautuspainike
5. Portaaton nopeuden liipaisukytkin
6. Akun vapautuspainike
7. LED-merkkivalo
8. Akkupää
9. Akkuportti
10. Hylsyavain (10 mm)
11. Kuusiokoloavain (5 mm)

### KOKOAMINEN

#### KAHOJEN ASENTAMINEN

1. Kun akkuportti on taaksepäin, työnnä oikean ja vasemman kahvan putket akkupään pohjan kaareviin aukkoihin (kuva B1).
2. Kohdistamalla kummankin kahvaputken kaksi reikää kumpaankin pohjan reikään.

**HUOMAA:** Oikean/vasemman kahvan väärä asennus estää näiden reikien kohdistumisen.

3. Kiinnitä kahvat akkupäähän käyttämällä 8 puttin sarjaa ja aluslevyjä ja muttereita. Kiristä ne tiukasti jakoavaimella ja 5 mm:n kuusiokoloavaimella (kuva B2).



4. Kohdista oikean kahvan kaapelin nuoli akkupään kaapelin nuoleen. Aseta sitten oikean kahvan kaapeliliitin akkupään kaapeliliitäntään. Kiristä ne tiukasti (kuva B2).

**HUOMAUTUS:** Kaapelin vaurioitumisen estämiseksi älä taivuta tai kierrä sitä asennuksen aikana.

B1-1	Oikea kahva	B1-2	Vasen kahva
B1-3	Akkuportti	B2-1	Pultti
B2-2	Aluslevy	B2-3	Mutteri
B2-4	Kaapeliliitin	B2-5	Kaapeliliitäntä

#### AKKUPÄÄLISÄOSAN ASENTAMINEN

**VAROITUS:** Lue ja ymmärrä akkupään jokaisen valinnaisen lisäosan käyttöopas ja noudata kaikkia varoituksia ja ohjeita. Ohjeiden noudattamatta jättäminen saattaa aiheuttaa sähköiskun, tulipalon ja/tai vakavan henkilövahingon.

**VAROITUS:** Tämä 56 V akkupää PHA7400E on suunniteltu käytettäväksi vain käyttöoppaassa määritettyjen EGO-lisäosamallien kanssa tai EGO:n myöhemmin lisäämien mallien kanssa. Muiden, luvattomien lisäosien käyttö voi aiheuttaa vakavia henkilövahinkoja tai omaisuusvahinkoja.

**VAROITUS:** Älä koskaan asenna, poista tai säädä mitään lisäosaa, kun leikkuupää on käynnissä, tai kun akku on asennettuna. Moottorin sammuttamatta jättäminen ja akun poistamatta jättäminen voivat aiheuttaa vakavan henkilövahingon. **ÄLÄ KOSKAAN KÄYTÄ AKKUPÄÄTÄ ILMAN LISÄOSAA.**

## KÄYTTÖ

#### AKUN LIITTÄMINEN/POISTAMINEN

Käytä vain EGO:n akkuja ja latureita, jotka on lueteltu alla kuvassa A2.

**Lataa täyteen ennen ensimmäistä käyttökertaa.**

#### Liittäminen

Aseta akun ulokkeet kiinnitysaukkoihin ja paina akkua alaspäin, kunnes kuulet ”naksahduksen” (kuva C1).

#### Poistaminen

Paina akun vapautuspainiketta ja vedä akku ulos (kuva C2).

C1-1	Kiinnitysaukko	C1-2	Uloke
C2-1	Akun vapautuspainike		

#### AKKUPÄÄN KÄYNNISTÄMINEN/SAMMUTTAMINEN (kuva D)

- **Paina ensin lukituksen vapautuspainike pohjaan ja purista sitten portaaton nopeuden liipaisinkytkintä** akkupään käynnistämiseksi. Vapauta lukituksen vapautuspainike ja jatka liipaisimen puristamista, jotta laite pysyy käynnissä.

**HUOMAA:** Portaaton nopeuden liipaisinkytkin antaa suuremman nopeuden kovemmalla liipaisimen painalluksella ja pienemmän nopeuden pienemmällä liipaisimen painalluksella.

- **Jos haluat pysäyttää akkupään**, vapauta liipaisinkytkin ja anna kairan terän pysähtyä kokonaan.

D-1	Lukituksen vapautuspainike	D-2	Portaaton nopeuden liipaisinkytkin
-----	----------------------------	-----	------------------------------------

#### PYÖRIMISSUUNNAN JA NOPEUDEN VALITSEMINEN (kuva E)

Pidä oikeaa kahvaa oikealla kädellä.

- Työnnä valitsin asentoon ”2” aktivoidaksesi pyörimisen eteenpäin suurella nopeudella.
- Työnnä valitsin asentoon ”1” aktivoidaksesi pyörimisen eteenpäin pienellä nopeudella.
- Työnnä valitsin asentoon ”R” aktivoidaksesi pyörimisen taaksepäin.

**HUOMAA:** Pyörimissuunnan vaihtaminen eteen- ja taaksepäin on mahdollista vain, kun akkupää pysäytetään.

**HUOMAUTUS:** Eteenpäin suuntautuvan nopeuden säätö voidaan saavuttaa milloin tahansa riippumatta siitä, käynnistetäänkö tai pysäytetäänkö akkupää.

E-1	Pyörimissuunnan/nopeuden valitsin
-----	-----------------------------------

## TILAN MERKKIVALO

Kairan akkupäässä on tilan LED-merkkivalo, joka näyttää koneen toimintatilan. LED-merkkivalo syttyy vain, kun akkupää käynnistetään.

FI

TILAN LED-MERKKIVALO	TOIMINTATILA	TOIMENPIDE
Palaa vihreänä	Akkupää toimii oikein.	Normaali toiminta. Mitään toimenpiteitä ei tarvita.
Palaa punaisena	Akkupää on ylikuormitettu.	Vapauta liipaisin, nosta kaira reiästä ja tarkista ylikuormituksen syyt. Saatat joutua etsimään vaihtoehtoisen kaivauspaikan, jos iso este on aiheuttanut koneen pysähtymisen. Jos ongelmaa ei voida ratkaista, ota yhteyttä EGO:n asiakaspalveluun korjausta varten.
	Akkupää on liian kylmä.	Vapauta liipaisin. Tuo kaira sisätiloihin lämpenemään.
Palaa oranssina	Takapotkun suoja.	Vapauta liipaisin, nosta kaira reiästä. Käynnistä kaira uudelleen ja laske se varovasti takaisin reikään.
Vilkkuu punaisena	Akun varaus on melkein tyhjentynyt.	Lataa akku.
Vilkkuu oranssina	Akkupää on ylikuumentunut.	Pysäytä kaira ja odota jonkin aikaa kairan jäähtymistä.
Vihreä ja punainen vilkkuvat vuorotellen.	Yhteysvika.	Ota yhteyttä EGO:n asiakaspalveluun korjausta varten.
Ei valoa.	Jos akun LED-merkkivalo vilkkuu oranssina tai palaa punaisena, akku on ylikuumentunut.	Anna akun jäähtyä ja käynnistä kaira uudelleen.
	Muu elektroniikkavirhe.	Ota yhteyttä EGO:n asiakaspalveluun korjausta varten.

## HUOLTAMINEN

**VAROITUS:** Vakavan henkilövamman välttämiseksi poista akku tuotteesta ennen kuin huollat tai puhdistat sitä, vaihdat lisäosia tai poistat materiaalia laitteesta.

### YLEINEN KUNNOSSAPITO

Vältä liuotinaineiden käyttöä, kun puhdistat muoviosia. Useimmat muovit ovat herkkiä vaurioitumaan erilaisista kaupallisista liuottimista ja voivat vaurioitua niiden käytöstä. Poista lika, pöly, öljy, rasva ym. puhtaalla liinalla.

**VAROITUS:** Älä koskaan anna jarrunesteiden, bensiinin, öljypohjaisten tuotteiden, irrotusöljyjen ym. päästä kosketuksiin muoviosien kanssa. Kemikaalit voivat vaurioittaa, heikentää tai tuhota muovin, mikä voi johtaa vakavaan henkilövahinkoon.

## AKKUPÄÄN SÄILYTTÄMINEN

- Poista akku akkupäästä.
- Puhdista akkupää huolellisesti ennen säilytystä.
- Säilytä akkupää kuivassa, hyvin ilmastoidussa, lukitussa paikassa tai korkealla, poissa lasten ulottuvilta. Älä säilytä akkupäätä lannoitteiden, bensiinin tai muiden kemikaalien päällä tai vieressä.

## YMPÄRISTÖNSUOJELU



Älä hävitä sähkölaitteita, käytettyjä akkuja tai laturia kotitalousjätteen seassa! Vie tämä tuote hyväksyttävyn kierrätyspaikkaan tai anna se erilliseen keräilyyn. Sähkötyökalut tulee palauttaa asianmukaiseen ympäristöstävälliseen kierrätyslaitokseen.



## **VIANMÄÄRITYS**

Katso käytettävän lisäosan käyttöopasta.

## **TAKUU**

### **EGON TAKUUEHDOT**

Verkkosivustolta [egopowerplus.eu](https://egopowerplus.eu) löydät EGO:n takuukäytännön täydelliset ehdot.

**FI**

## LES ALLE INSTRUKSJONER!



LES BRUKERHÅNDBOKEN

**⚠ ADVARSEL:** For å sikre sikkerhet og pålitelighet bør alle reparasjoner utføres av en kvalifisert servicetekniker.

## SIKKERHETSSYMBOL

Hensikten med sikkerhetssymboler er å tiltrekke deg oppmerksomheten mot mulige farer. Sikkerhetssymbolene og forklaringene med dem fortjener nøye oppmerksomhet og forståelse. Symbolvarslene eliminerer ikke i seg selv noen fare. Instruksjonene og advarslene de gir, erstatter ikke riktige tiltak for å forhindre ulykker.

**⚠ ADVARSEL:** Sørg for å lese og forstå alle sikkerhetsinstruksjonene i denne brukerhåndboken, inkludert alle sikkerhetsvarselssymboler som «FARE», «ADVARSEL» og «FORSIKTIG» før du bruker denne maskinen. Unnlattelse av å følge alle instruksjonene nedenfor kan føre til elektrisk støt, brann og/eller alvorlig personskade.

NO

## SIKKERHETSINSTRUKSER

Denne siden viser og beskriver sikkerhetssymboler som kan vises på dette produktet. Les, forstå og følg alle instruksjoner på enheten før du begynner montering og tar den i bruk.



Sikkerhetsvarsel



For å redusere risikoen for skade, må brukeren lese bruksanvisningen.



Bruk hørselvern



Bruk øyeskyttelse



Elektriske produkter skal ikke kastes sammen med husholdningsavfallet. Innlever ved en godkjent gjenvinningsstasjon.



Dette produktet er i samsvar med gjeldende EF-direktiver.



Likestrøm



Britisk samsvar vurdert

V

Spenning

kg

Kilogram

IPX4

Beskyttelse mot vannsprut

## GENERELLE MASKINSIKKERHETSADVARSLER

**⚠ ADVARSEL:** Les alle sikkerhetsadvarsler, instruksjoner, illustrasjoner og spesifikasjoner som følger med denne maskinen. Unnløtelse av å følge alle instruksjonene nedenfor kan føre til elektrisk støt, brann og/eller alvorlig skade.

Lagre alle advarsler og instruksjoner for fremtidig referanse.

### SIKKERHET PÅ ARBEIDSRÅDET

- Hold arbeidsområdet rent og godt opplyst. Rotete eller mørke områder inviterer til ulykker.
- Ikke bruk maskiner i eksplosive atmosfærer, for eksempel i nærvær av brennbare væsker, bensin eller støv. Maskiner lager gnister som kan antenne støv eller røyk.
- Hold barn og tilskuere unna mens du bruker en maskin. Distraksjoner kan føre til at du mister kontrollen.

### ELEKTRISK SIKKERHET

- Maskinpluggene må passe til stikkkontakten. Modifiser aldri støpselet på noen måte. Ikke bruk noen adapterplugg med jordede (jordede) maskiner. Umodifiserte støpsler og matchende stikkontakter vil redusere risikoen for elektrisk støt.
- Unngå kroppskontakt med jordede eller jordede overflater, for eksempel rør, radiatorer, komfyrer og kjøleskap. Det er en økt risiko for elektrisk støt hvis kroppen din er jordet eller jordet.
- Ikke utsett maskiner for regn eller våte forhold. Vann som kommer inn i en maskin vil øke risikoen for elektrisk støt.
- Ikke misbruk ledningen. Bruk aldri ledningen til å bære, trekke eller koble fra maskinen. Hold ledningen unna varme, olje, skarpe kanter eller bevegelige deler. Skadde eller sammenfiltrede ledninger øker risikoen for elektrisk støt.
- Når du bruker en maskin utendørs, bruk en skjøteledning som er egnet for utendørs bruk. Bruk av en ledning egnet for utendørs bruk reduserer risikoen for elektrisk støt.
- Hvis det er uunngåelig å bruke en maskin på et fuktig sted, bruk en jordfeilbryterbeskyttet forsyning. Bruk av en GFCI reduserer risikoen for elektrisk støt.

### PERSONLIG SIKKERHET

- Vær på vakt, se hva du gjør og bruk sunn fornuft når du bruker en maskin. Ikke bruk en maskin mens du er trøtt eller påvirket av narkotika, alkohol eller medisiner. Et øyeblikks uoppmerksomhet under bruk av maskiner kan føre til alvorlig personskade.
- Bruk personlig verneutstyr. Bruk alltid vernebriller. Verneutstyr som støvmaske, sklislire vernesko, hjelm eller hørselsvern når omgivelsene krever det, reduserer risikoen for personskader.
- Forhindre utilsiktet start. Sørg for at bryteren er i av-posisjon før du kobler til strømkilden og/eller batteripakken, plukker opp eller bærer maskinen. Å bære maskiner med fingeren på bryteren eller energigivende maskiner som har bryteren på, inviterer til ulykker.
- Fjern eventuell justeringsnøkkel eller skiftenøkkel før du slår på maskinen. En skiftenøkkel eller en nøkkel som er festet til en roterende del av maskinen kan føre til personskade.
- Ikke overdriv. Hold riktig fotfeste og balanse til enhver tid. Dette gir bedre kontroll over maskinen i uventede situasjoner.
- Kled deg riktig. Ikke bruk løse klær eller smykker. Hold håret og klærne unna bevegelige deler. Løse klær, smykker eller langt hår kan sette seg fast i bevegelige deler.
- Hvis det leveres enheter for tilkobling av støvavsug og oppsamlingsanlegg, sørg for at disse er tilkoblet og riktig brukt. Bruk av støvoppsamling kan redusere støvrelaterte farer.
- Ikke la kjennskap oppnådd ved hyppig bruk av maskiner tillate deg å bli selvtillfreds og ignorere maskinsikkerhetsprinsipper. En uforsiktig handling kan forårsake alvorlig skade i løpet av en brøkdal av et sekund.

NO

### MASKINBRUK OG VEDLIKEHOLD

- Ikke tving maskinen. Bruk riktig maskin for din applikasjon. Riktig maskin vil gjøre jobben bedre og sikrere med den hastigheten den ble designet for.
- Ikke bruk maskinen hvis bryteren ikke slår den av og på. Enhver maskin som ikke kan kontrolleres med bryteren er farlig og må repareres.
- Koble støpselet fra strømkilden og/eller fjern batteripakken, hvis den kan tas av, fra maskinen før du foretar justeringer, skifter tilbehør eller oppbevarer maskiner. Slike forebyggende sikkerhetstiltak reduserer risikoen for å starte maskinen ved et uhell.

- **Oppbevar inaktive maskiner utilgjengelig for barn og la ikke personer som ikke er kjent med maskinen eller disse instruksjonene bruke maskinen.** Maskiner er farlige i hendene på utrente brukere.
- **Vedlikehold maskiner og tilbehør. Sjekk for feiljustering eller binding av bevegelige deler, brudd på deler og andre forhold som kan påvirke maskinens drift. Hvis den er skadet, få maskinen reparert før bruk.** Mange ulykker er forårsaket av dårlig vedlikeholdte maskiner.
- **Hold skjæremaskiner skarpe og rene.** Riktig vedlikeholdte skjæremaskiner med skarpe skjærekanter har mindre sannsynlighet for å binde seg og er lettere å kontrollere.
- **Bruk maskinen, tilbehøret og maskinbitene osv. i samsvar med disse instruksjonene, og tar hensyn til arbeidsforholdene og arbeidet som skal utføres.** Bruk av maskinen til andre operasjoner enn de tiltenkte kan føre til en farlig situasjon.
- **Hold håndtak og gripeflater tørre, rene og fri for olje og fett.** Glatte håndtak og gripeflater tillater ikke sikker håndtering og kontroll av maskinen i uventede situasjoner.

## BRUK OG VEDLIKEHOLD AV BATTERIMASKIN

- **Lad kun med laderen spesifisert av produsenten.** En lader som er egnet for én type batteripakke kan skape brannfare når den brukes med en annen batteripakke.
- **Bruk bare maskiner med spesifikt utpekte batteripakker.** Bruk av andre batteripakker kan skape risiko for skader og brann.
- **Når batteripakken ikke er i bruk, må du holde den borte fra andre metallgjenstander som binders, mynter, nøkler, spiker, skruer eller andre små metallgjenstander som kan opprette forbindelse fra en terminal til en annen.** Kortslutning av batteripolene kan forårsake brannskader eller brann.
- **Under farlige forhold kan væske komme ut av batteriet. Unngå kontakt med denne. Hvis kontakt oppstår ved et uhell, skyl med vann. Får du væske i øynene, skal det i tillegg søkes medisinsk hjelp.** Væske som blir slyngt ut av batteriet, kan forårsake irritasjon eller brannskader.
- **Ikke bruk en batteripakke eller maskin som er skadet eller modifisert.** Skadede eller modifiserte batterier kan vise uforutsigbar oppførsel som resulterer i brann, eksplosjon eller fare for skade.

- **Ikke utsett en batteripakke eller maskin for brann eller høy temperatur.** Eksponering for ild eller temperaturer over 130 °C kan forårsake eksplosjon.
- **Følg alle ladeinstruksjoner og ikke lad batteripakken eller maskinen utenfor temperaturområdet spesifisert i instruksjonene.** Feil lading eller ved temperaturer utenfor spesifisert område kan skade batteriet og øke risikoen for brann.

## SERVICE

- **Få service på maskinen av en kvalifisert reparasjonsperson som kun bruker identiske reservedeler.** Dette vil sikre at sikkerheten til maskinen opprettholdes.
- **Utsett aldri skadede batteripakker.** Service av batteripakker skal kun utføres av produsenten eller autoriserte tjenesteleverandører.

## SIKKERHETSADVARSLER FOR KRAFHODE

- **Dette strømhodet PHA7400E kan bare brukes med følgende EGO-tilbehør eller senere introdusert av EGO for bruk med dette strømhodet:**

TILBEHØRSTYPE	MODELLNUMMER
Jordborebit	ETA0800E
Isborbit	ITA0800E

- **Skift ut skruene hvis de er sprukket, bøyd eller skadet på noen måte.** Bruk av maskinen med en skadet mateskrue kan føre til alvorlige skader.
- **Bruk aldri skruen med håndtakene over midjenivå.** Dette begrenser kontrollen over skruen og kan øke risikoen for skade.
- **Hold maskinen med begge hender ved de tiltenkte håndtakene.** Tap av kontroll kan føre til personskade.
- **Hold maskinen i isolerte gripeflater når du utfører en operasjon der gravetilbehøret kan komme i kontakt med skjulte ledninger.** Graving av tilbehør som kommer i kontakt med en "strømførende" ledning kan gjøre utsatte metalldele på maskinen "strømførende" og kan gi operatøren et elektrisk støt.
- **For å redusere risikoen for elektrisk støt, bruk aldri skruen i nærheten av nedgravde elektriske strømkabler.** Kontakt med eller bruk i nærheten av nedgravde elektriske strømkabler kan forårsake alvorlig skade eller elektrisk støt som kan føre til dødsfall.
- **Start alltid maskinen ved lav hastighet og med spissen av mateskruen i kontakt med bakken.** Ved høyere hastigheter vil biten sannsynligvis bøye seg

hvis den får rotere fritt uten å komme i kontakt med bakken, noe som resulterer i personskaade.

- **Påfør trykk bare i direkte linje med boret og ikke påfør for stort trykk.** Bits kan bøye seg og forårsake brudd eller tap av kontroll, noe som resulterer i personskaade.
- **Vær alltid sikker på at du har et solid fotfeste.** Pass på at ingen er under når du bruker maskinen på høye steder.
- **Hold fast i maskinen.**
- **Hold hendene unna roterende deler.**
- **Ikke la maskinen gå. Bruk kun maskinen når den holdes i hånden.**
- **Ikke berør borekronen umiddelbart etter drift.** Det kan være ekstremt varmt og kan brenne huden din.
- **Hvis noe er galt med maskinen, for eksempel unormale lyder, stopp driften umiddelbart og kontakt ditt lokale servicesenter for reparasjon.**
- **For å redusere risikoen for eksplosjon, bruk aldri skruen i nærheten av nedgravde gassledninger, inkludert vannledninger og rør.** Kontakt med eller bruk i nærheten av nedgravde vann- eller gassledninger kan føre til sprengning av vannledninger og eksplosjon fra gassledninger som kan forårsake alvorlig skade eller død.
- **Kjør aldri med høyere hastighet enn den maksimale hastigheten til borekronen.** Ved høyere hastigheter vil biten sannsynligvis bøye seg hvis den får rotere fritt uten å komme i kontakt med arbeidsstykket, noe som resulterer i personskaade.
- **Batteridrevne maskiner trenger ikke å være koblet til en stikkontakt. derfor er de alltid i driftstilstand. Vær oppmerksom på mulige farer selv når maskinen ikke er i drift.** Vær forsiktig når du utfører vedlikehold eller service.
- **Ikke vask med en slange; unngå å få vann i motor og elektriske koblinger.**
- **Isbladene er veldig skarpe. Vær ekstremt forsiktig når du borer et hull eller skifter ut bladene. Sett på bladbeskyttelsen etter hver bruk.**
- **Kontroller ofte og sørg for at låseskruen er sikret på plass.**

**LAGRE DISSE INSTRUKSJONENE.** Se dem ofte og bruk dem til å instruere andre som kan bruke denne maskinen. Hvis du låner noen denne maskinen, lån dem også disse instruksjonene for å forhindre misbruk av produktet og mulig skade.

## SPESIFIKASJONER

Spenning		56 V
Dreiemoment		74 Nm
Hastighet uten belastning (n <sub>0</sub> )	Framover	Lav: 0-150/min Høy: 0-210/min
	Omvendt	100/min
Vekt (uten batteripakke)		10,2 kg

## PAKKELISTE (FIG. A1)

## BESKRIVELSE

### KJENN DITT KRAFTSHODE (Fig. A1)

1. Venstre håndtak
2. Høyre håndtak
3. Rotasjonsretning/hastighetsvelger
4. Låseknapp
5. Variabel hastighetsregulator
6. Batteriutløserknapp
7. LED-indikator
8. Krafthode
9. Batteripakkeport
10. Pipenøkkel (10 mm)
11. unbrakonøkkel (5 mm)

NO

## MONTERING

### INSTALLERING AV HÅNDTAK

1. Med batteripakkeporten vendt bakover, sett inn rørene til høyre og venstre håndtak inn i de buede sporene på strømhodebasen (Fig. B1).
2. Juster de to hullene i hvert håndtaksrør med de to hullene i hvert bunnspor.

**MERK:** Feil høyre/venstre installasjon av håndtakene vil forhindre at disse hullene justeres.

3. Bruk 8 sett med bolter, skiver og muttere for å feste håndtakene til krafthodet. Bruk skiftenøkkelen og 5 mm unbrakonøkkel for å stramme dem godt (Fig. B2).
4. Juster pilen på høyre håndtakskabel med pilen på strømhodekabelen. Sett deretter kabelpluggen til høyre håndtak inn i kabelkontakten på strømhodet. Stram dem godt til (Fig. B2).

**MERKNAD:** For å unngå skade på kabelen må du ikke bøye eller vri den under monteringen.

B1-1	Høyre håndtak	B1-2	Venstre håndtak
B1-3	Batteripakkeport	B2-1	Bolt
B2-2	Vaskemaskin	B2-3	Nøtt
B2-4	Kabelplugg	B2-5	Kabeluttak

## INSTALLERING AV KRAFTHODE TILBEHØR

**⚠ ADVARSEL:** Det er viktig å lese og forstå hele håndboken for det aktuelle tilbehøret du vil bruke, og å følge alle advarsler og instruksjoner. Unnlatelse av å følge alle instruksjonene kan føre til elektrisk støt, brann og / eller alvorlig personskade.

**⚠ ADVARSEL:** Dette 56 V strømhodet PHA7400E er designet for kun å brukes med EGO-festemodellene som er spesifisert i denne brukerhåndboken eller senere introdusert av EGO for bruk med dette strømhodet. Bruk av andre, uautoriserte redskaper kan forårsake alvorlige personskader eller skade på eiendom.

**⚠ ADVARSEL:** Aldri installer, fjern eller juster noe tilbehør mens strømhodet går eller med batteriet installert. Unnlatelse av å stoppe motoren og fjerne batteriet kan forårsake alvorlig personskade. **BRUK ALDRI STRØMHODET UTEN TILBEHØR.**

## OPERASJON

### FESTE/FRA BATTERIPAKKEN

Bruk kun med EGOs batteripakker og ladere oppført i Fig. A2.

### Lad helt opp før første gangs bruk.

#### Å feste

Juster batteriribbene med monteringssporene og trykk batteripakken ned til du hører et "klikk" (Fig. C1).

#### Å løsne

Trykk inn batteriutløserknappen og trekk batteripakken ut (Fig. C2).

C1-1	Monteringsspor	C1-2	Ribbein
C2-1	Batteriutløserknapp		

## STARTE/STOPPE KRAFTHODET (Fig. D)

- **For å slå på strømhodet,** trykker du på og holder inne låseknappen og trykker deretter på utløserbryteren med variabel hastighet. Slipp låseknappen og fortsett å trykke på utløserbryteren for fortsatt drift.

**MERK:** Utløserbryteren med variabel hastighet gir høyere hastighet med økt utløsertrykk og lavere hastighet med redusert utløsertrykk.

- **For å slå av strømhodet,** slipper du utløserbryteren og lar borekronen stoppe helt.

D-1	Låseknapp	D-2	Triggerbryter med variabel hastighet
-----	-----------	-----	--------------------------------------

## VELG ROTASJONSRETNING OG HASTIGHET (Fig. E)

Hold høyre håndtak med høyre hånd.

- Skyv velgeren til "2"-posisjon for å aktivere foroverrotasjon ved høy hastighet.
- Skyv velgeren til "1"-posisjon for å aktivere foroverrotasjon ved lav hastighet.
- Skyv velgeren til "R"-posisjon for å aktivere reversering.

**MERK:** Det er kun mulig å bytte rotasjonsretning mellom forover og bakover når motorhodet er stoppet.

**MERK:** Hastighetsjusteringen fremover kan oppnås når som helst, uansett om motorhodet startes eller stoppes.

E-1	Rotasjonsretning / hastighetsvelger
-----	-------------------------------------



## STATUSINDIKATOR

Skruens krafthode har en LED-statusindikator for å vise arbeidsstatusen til maskinen. LED-indikatoren vil kun lyse når strømhodet er startet.

LED-STATUSINDIKATOR	ARBEIDSFORHOLD	HANDLING
Solid grønn	Strømhodet fungerer som det skal.	Normal operasjon. Ingen handling nødvendig.
Helt rødt	Strømhodet er overbelastet.	Slipp avtrekkeren, løft skruen fra hullet og se etter årsakene til overbelastning. Du må kanskje finne et alternativt sted å grave hvis en stor hindring har fått maskinen til å stoppe. Hvis problemet ikke kan løses, kontakt EGO kundeservice for reparasjon.
	Strømhodet er for kaldt.	Slipp avtrekkeren. Ta med skruen innendørs for å varme den opp.
Solid oransje	Beskyttelse mot tilbakeslag.	Slipp avtrekkeren, løft skruen fra hullet. Start skruen på nytt og senk den forsiktig tilbake i hullet.
Blinker rødt	Batteriladingen er nesten utladet.	Lad batteripakken.
Blinkende oransje	Strømhodet er overopphetet.	Stopp skruen og vent en stund for å avkjøle skruen.
Blinker grønt og rødt vekselvis.	Kommunikasjonsfeil.	Kontakt EGO kundeservice for reparasjon.
Ikke noe lys.	Hvis LED-indikatoren på batteripakken blinker oransje eller lyser rødt, er batteripakken overopphetet.	La batteripakken avkjøles og start skruen på nytt.
	Annen elektronikkfeil.	Kontakt EGO kundeservice for reparasjon.

NO

## VEDLIKEHOLD

**⚠ ADVARSEL:** For å forhindre alvorlig personskade, fjern batteripakken fra produktet før du utfører service, rengjøring, skifter tilbehør eller fjerner materiale fra enheten.

### GENERELT VEDLIKEHOLD

Unngå bruk av løsemidler når plastdeler skal rengjøres. De fleste plasttyper kan ta skade av ulike typer løsemidler som er i salg, og kan dermed bli ødelagt. Bruk en ren klut for å fjerne skitt, støv, olje, fett, osv.

**⚠ ADVARSEL:** La ikke på noe tidspunkt bremsevæsker, bensin, petroleumsbaserte produkter, penetrerende oljer osv. komme i kontakt med plastdeler. Kjemikalier kan skade, svekke eller ødelegge plast som kan føre til alvorlig personskade.

## OPPBEVARING AV VERKTØYHODET

1. Fjern batteripakken fra strømhodet.
2. Rengjør strømhodet grundig før du oppbevarer det.
3. Oppbevar strømhodet på et tørt, godt ventilert område, innelåst eller høyt oppe, utilgjengelig for barn. Ikke oppbevar strømhodet på eller ved siden av gjødsel, bensin eller andre kjemikalier.

## BESKYTTER MILJØET



Elektrisk utstyr, brukte batterier og batteriladere må ikke kastes i husholdningsavfallet! Ta dette produktet til en autorisert gjenvinner og gjør det tilgjengelig for separat innsamling. Elektriske verktøy må returneres til et miljøvennlig resirkuleringsanlegg.



## **FEILSØKING**

Se ellers håndboken til det aktuelle tilbehøret.

## **GARANTI**

### **EGO GARANTIPOLITIK**

Besøk nettstedet [egopowerplus.eu](http://egopowerplus.eu) for fullstendige vilkår og betingelser for EGOs garantipolicy.

**NO**

## ПРОЧИТАЙТЕ ВСЕ ИНСТРУКЦИИ!



ПРОЧИТАЙТЕ РУКОВОДСТВО ПОЛЬЗОВАТЕЛЯ

**⚠ ПРЕДУПРЕЖДЕНИЕ.** Для обеспечения безопасности и надежности устройства его ремонт должен выполнять квалифицированный специалист.

## СИМВОЛЫ БЕЗОПАСНОСТИ

Символы безопасности предназначены для привлечения внимания к возможным рискам. Символы безопасности, а также пояснения к ним, требуют особого внимания и понимания. Предупреждения по технике безопасности сами по себе не устраняют опасность. Инструкции и предупреждения не заменяют соответствующие меры по предотвращению несчастных случаев.

**⚠ ПРЕДУПРЕЖДЕНИЕ.** Перед использованием устройства внимательно прочитайте все инструкции в данном руководстве пользователя и ознакомьтесь с предупреждающими символами безопасности, такими как **ОПАСНОСТЬ, ПРЕДУПРЕЖДЕНИЕ и ВНИМАНИЕ.** Несоблюдение всех приведенных ниже инструкций может привести к поражению электрическим током, возникновению пожара и (или) получению серьезных травм.

RU

## ИНСТРУКЦИЯ ПО ТЕХНИКЕ БЕЗОПАСНОСТИ

Далее приведено изображение и описание символов безопасности, которые могут присутствовать на данном устройстве. Перед сборкой или использованием внимательно прочитайте все инструкции, приведенные на устройстве, и соблюдайте их.



Предупреждение об опасности



Прочитайте руководство по эксплуатации, чтобы уменьшить риск получения травм.



Используйте средства защиты органов слуха.



Используйте защитные очки.



Неисправные электрические устройства нельзя выбрасывать вместе с бытовым мусором. Сдавайте их в авторизованные пункты сбора и утилизации.



Соответствует основным требованиям стандартов безопасности Европейских директив.



Постоянный ток



Соответствие требованиям Великобритании

V

Напряжение

kg

Килограмм

IPX4

Защита от брызг воды

## ОБЩИЕ ПРАВИЛА ТЕХНИКИ БЕЗОПАСНОСТИ ПРИ ИСПОЛЬЗОВАНИИ УСТРОЙСТВА

**⚠ ПРЕДУПРЕЖДЕНИЕ.** Прочитайте все правила безопасности, инструкции, иллюстрации и спецификации, прилагаемые к этому устройству. Невыполнение изложенных ниже инструкций может привести к поражению электрическим током, пожару и (или) тяжелым травмам.

Сохраните все предупреждения и инструкции для использования в будущем.

### БЕЗОПАСНОСТЬ РАБОЧЕГО МЕСТА

- Обеспечьте чистоту и освещенность рабочего места. Загроможденные и плохо освещенные места служат причиной несчастных случаев.
- Не используйте устройство во взрывоопасных местах, например вблизи горючих жидкостей, бензина или пыли. Устройство генерирует искры, которые могут воспламенить пыль или испарения.
- Не позволяйте детям и посторонним находиться вблизи работающего устройства. Отвлекающие факторы могут привести к потере контроля.

### ЭЛЕКТРОБЕЗОПАСНОСТЬ

- Вилка устройства должна соответствовать розетке. Никогда не переделывайте вилку. Не используйте никакие переходники для вилок заземленных устройств. Использование оригинальных вилок и соответствующих им розеток уменьшает риск поражения электрическим током.
- Избегайте прикосновений к заземленным объектам, таким как трубы, радиаторы, плиты и холодильники. Риск поражения электрическим током выше, когда тело заземлено.
- Не подвергайте устройство воздействию дождя или влажности. При попадании воды в устройство увеличивается риск поражения электрическим током.
- Обращайтесь с кабелем аккуратно. Никогда не переносите, не тяните и не выключайте устройство за кабель. Держите кабель подальше от источников тепла, масла, острых предметов или движущихся частей. Поврежденные или запутанные кабели повышают риск поражения электрическим током.

- Для работы с устройством вне помещения используйте предназначенный для этого удлинительный кабель. Использование кабеля, подходящего для использования вне помещения, снижает риск поражения электрическим током.
- Если работа с устройством в условиях повышенной влажности неизбежна, подключайте его через выключатель короткого замыкания на землю (ВКЗЗ). Использование ВКЗЗ уменьшает риск поражения электрическим током.

### ЛИЧНАЯ БЕЗОПАСНОСТЬ

- При использовании устройства будьте бдительны, следите за своими действиями и следуйте здравому смыслу. Не пользуйтесь устройством, если вы устали или находитесь под воздействием наркотиков, алкоголя или медикаментов. Даже кратковременная невнимательность при работе с устройством может привести к тяжелым травмам.
- Используйте средства индивидуальной защиты. Всегда используйте защитные средства для глаз. Защитное оборудование, такое как противопылевая маска, нескользкая предохранительная обувь, жесткая каска или устройства защиты органов слуха в соответствующих условиях уменьшает риск травмирования.
- Не допускайте непредвиденных запусков. Перед подключением устройства к сети питания (или аккумулятору) и перед его переноской убедитесь, что выключатель находится в выключенном положении. Не держите палец на выключателе при переноске устройства и не подключайте к источнику питания, если устройство включено. Это может привести к несчастному случаю.
- Перед включением устройства снимите с него регулировочные инструменты и гаечные ключи. Регулировочный инструмент или гаечный ключ, оставленный на вращающейся части устройства, может стать причиной травмы.
- Не тянитесь. Всегда сохраняйте устойчивое положение и равновесие. Это позволит лучше контролировать устройство в непредвиденных ситуациях.
- Одевайтесь надлежащим образом. Не надевайте свободную одежду и украшения. Держите волосы и одежду подальше от движущихся частей. Свободная одежда, украшения и длинные волосы могут попасть в движущиеся части.

- При наличии устройств для отвода и сбора пыли убедитесь, что они подключены и правильно работают. Использование пылеулавливающих устройств снижает вред, причиняемый пылью.
- Не допускайте небрежности, которая может возникнуть из-за частого использования устройства и повлечь за собой самоуверенность и игнорирование правил безопасности. Неосторожное действие может причинить серьезную травму за доли секунды.
- Следите за тем, чтобы рукоятки и поверхности захвата были сухими и чистыми и на них не было масла или смазочного материала. Скользкие рукоятки и поверхности захвата не позволяют безопасно использовать устройство и контролировать его в непредвиденных ситуациях.

## ЭКСПЛУАТАЦИЯ И ОБСЛУЖИВАНИЕ УСТРОЙСТВА

- Не прилагайте к инструменту чрезмерных усилий. Используйте подходящее для ваших задач устройство. Правильно выбранное устройство более эффективно и безопасно при номинальной нагрузке.
- Не используйте устройство, если его выключатель неисправен. Устройства с неисправным выключателем опасны и подлежат ремонту.
- Перед регулировкой, сменой аксессуаров или хранением отключите устройство от сети питания и (или) извлеките аккумулятор, если это возможно. Такие меры предосторожности уменьшают риск случайного запуска устройства.
- Храните неиспользуемое устройство в недоступном для детей месте и не доверяйте устройство лицам, не знакомым с ним и с этими инструкциями. Такие устройства опасны в руках неподготовленных пользователей.
- Выполняйте техническое обслуживание устройства и принадлежностей. Проверьте выравнивание и сцепление подвижных деталей, наличие поломок и прочие условия, которые могут повлиять на работу устройства. Если устройство повреждено, перед использованием его необходимо отремонтировать. Многие несчастные случаи вызваны неправильным техобслуживанием устройств.
- Храните режущие устройства в чистоте и заточенном состоянии. Правильно обслуживаемые и хорошо заточенные режущие устройства меньше заклинивают и лучше контролируются.
- Используйте устройство, аксессуары, насадки и т. п. в соответствии с этими инструкциями, учитывая условия и специфику выполняемой работы. Использование устройства для выполнения непредусмотренных операций может привести к опасным ситуациям.

## ЭКСПЛУАТАЦИЯ И ОБСЛУЖИВАНИЕ АККУМУЛЯТОРНОГО УСТРОЙСТВА

- Заряжайте аккумуляторы только с помощью зарядного устройства, указанного изготовителем. Зарядное устройство, предназначенное для одного типа аккумуляторных батарей, может стать причиной пожара при использовании с другим типом батарей.
- Используйте устройство только со специально предназначенными для него аккумуляторами. Использование любого другого вида аккумуляторных батарей может стать причиной несчастных случаев или пожара.
- Когда аккумулятор не используется, храните его отдельно от металлических предметов — канцелярских скрепок, монет, ключей, гвоздей, винтов и др. — они могут соединить контакты. Короткое замыкание контактов аккумуляторной батареи может стать причиной ожогов или пожара.
- При неблагоприятных обстоятельствах из аккумулятора может потечь электролит. Избегайте контакта с ним. При случайном контакте промойте водой. Если жидкость попала в глаза, обратитесь к врачу. Жидкость из аккумуляторной батареи может вызвать раздражение и ожоги.
- Не используйте аккумулятор и устройство, если они повреждены или подвергались модификациям. Поведение поврежденных или модифицированных аккумуляторов может быть непредсказуемым, что приведет к возгоранию, взрыву и риску получения травм.
- Не подвергайте аккумуляторную батарею и устройство воздействию огня и высокой температуры. Воздействие огня или температуры выше 130 °C может привести к взрыву.
- Следуйте всем инструкциям по зарядке и не заряжайте аккумулятор и устройство при температуре, выходящей за пределы указанного диапазона. Если зарядка выполняется неправильно или в условиях неподходящей температуры, это может привести к повреждению аккумулятора и возгоранию.

RU

## РЕМОНТ

- Ремонт устройства должен производиться квалифицированным специалистом с использованием только идентичных запасных частей. Это обеспечит безопасную работу устройства.
- Никогда не выполняйте обслуживание поврежденного аккумулятора. Обслуживание аккумуляторов должно выполняться только производителем или в авторизованном сервисном центре.

## ИНСТРУКЦИИ ПО ТЕХНИКЕ БЕЗОПАСНОСТИ ПРИ РАБОТЕ С ПРИВОДНЫМ БЛОКОМ

- Этот приводной блок PNA7400E можно использовать только с указанными далее инструментами EGO либо с насадками, которые впоследствии будут представлены EGO как предназначенные для использования с данным приводным блоком.

ТИП ИНСТРУМЕНТА	НОМЕР МОДЕЛИ
Земляной бур	ETA0800E
Ледобур	ITA0800E

- Замените бур, если он треснул, погнулся или получил какие-либо повреждения. Эксплуатация устройства с поврежденным буром может привести к серьезной травме.
- Никогда не используйте устройство, если его рукоятки расположены выше уровня пояса. Это ограничивает управление и может увеличить риск получения травмы.
- Держите устройство за рукоятки обеими руками. Потеря контроля может привести к получению травмы.
- При выполнении работ, в ходе которых бур может касаться скрытой электропроводки, держите инструмент за изолированные поверхности. Касание буром проводки под напряжением может передать напряжение на металлические части устройства и привести к поражению оператора электрическим током.
- Для снижения риска поражения электрическим током никогда не используйте бур вблизи проложенных в земле кабелей электропитания.

Контакт с такими кабелями или использование устройства рядом с ними может привести к серьезной травме или смертельному поражению электрическим током.

- Всегда запускайте устройство на низкой скорости, при этом конец бура должен касаться земли. При вращении с высокой скоростью без контакта с землей бур может согнуться, что приведет к травме.
- Прикладывайте давление только по прямой линии относительно бура и не давите слишком сильно. Бур может согнуться, что приведет к поломке, потере контроля и травмам.
- Всегда сохраняйте устойчивое положение. При работе на высоте следите, чтобы никого не было внизу.
- Крепко удерживайте устройство.
- Берегите руки от вращающихся частей.
- Не оставляйте устройство во включенном состоянии. Используйте и включайте устройство только когда оно находится в руках.
- Не прикасайтесь к буру сразу после выполнения работы. Он может быть очень горячим, что приведет к ожогам.
- Если с устройством что-то не так, например раздаются ненормальные звуки, немедленно прекратите работу и обратитесь в местный сервисный центр для ремонта.
- Чтобы снизить риск взрыва, никогда не используйте бур вблизи проложенных в земле газопроводов, водопроводов и других труб. Контакт с проложенными в земле трубами может привести к повреждению водопровода или взрыву газопровода и стать причиной серьезных травм или смерти.
- Никогда не превышайте максимальную скорость работы бура. При вращении с высокой скоростью без контакта с рабочей поверхностью бур может согнуться, что приведет к травме.
- Работающие от аккумуляторов устройства не требуется подключать к розетке электросети, поэтому они всегда готовы к использованию. Помните о возможности возникновения опасных ситуаций даже когда устройство не используется. Соблюдайте осторожность при выполнении технического обслуживания или ремонта.
- Не мойте устройство из шланга. Избегайте попадания воды в двигатель и электрические соединения.

- Режущие элементы очень острые. Будьте предельно осторожны при бурении отверстий и замене режущих элементов. Надевайте защитный кожух после каждого использования.
- Регулярно проверяйте наличие стопорного винта и надежность его фиксации.

#### СОХРАНИТЕ НАСТОЯЩУЮ ИНСТРУКЦИЮ.

Регулярно просматривайте ее и предоставляйте для ознакомления другим пользователям. Одалживая кому-либо устройство, передайте также данную инструкцию для предотвращения неправильного использования и возможных травм.

## ТЕХНИЧЕСКИЕ ХАРАКТЕРИСТИКИ

Напряжение	56 В	
Крутящий момент	74 Нм	
Скорость вращения без нагрузки (n <sub>0</sub> )	Вперед	Низкая: 0–150 об/мин Высокая: 0–210 об/мин
	Назад	100 об/мин
Масса (без аккумулятора)	10,2 кг	

## КОМПЛЕКТ ПОСТАВКИ (РИС. А1)

### ОПИСАНИЕ

#### ЧАСТИ ПРИВОДНОГО БЛОКА (Рис. А1)

1. Левая рукоятка
2. Правая рукоятка
3. Переключатель направления/скорости вращения
4. Кнопка блокировки
5. Курковый регулятор скорости
6. Кнопка фиксации аккумулятора
7. Светодиодный индикатор
8. Приводной блок
9. Аккумуляторный отсек
10. Торцевой ключ (10 мм)
11. Шестигранный ключ (5 мм)

## СБОРКА

#### УСТАНОВКА РУКОЯТОК

1. Разверните устройство аккумуляторным отсеком назад и вставьте трубки правой и левой рукояток в изогнутые пазы основания приводного блока (Рис. В1).

2. Совместите два отверстия в каждой трубке рукоятки с двумя отверстиями в каждом пазу основания.

**ПРИМЕЧАНИЕ.** Неправильная установка рукояток справа и слева не позволит совместить эти отверстия.

3. Используйте 8 комплектов болтов, шайб и гаек для крепления рукояток к приводному блоку. Надежно затяните болты с помощью гаечного ключа и шестигранного ключа 5 мм (Рис. В2).

4. Совместите стрелку на кабеле правой рукоятки со стрелкой на кабеле приводного блока. Вставьте штекер кабеля правой рукоятки в гнездо кабеля приводного блока. Надежно затяните (Рис. В2).

**ПРИМЕЧАНИЕ.** Во избежание повреждения кабеля не сгибайте и не перекручивайте его во время монтажа.

V1-1	Правая рукоятка	V1-2	Левая рукоятка
V1-3	Аккумуляторный отсек	V2-1	Болт
V2-2	Шайба	V2-3	Гайка
V2-4	Вилка кабеля	V2-5	Розетка кабеля

**RU**

#### УСТАНОВКА НАСАДКИ ПРИВОДНОГО БЛОКА

**⚠ ПРЕДУПРЕЖДЕНИЕ.** Полностью прочитайте руководство пользователя для каждого дополнительного инструмента, используемого с приводным блоком, и следуйте всем предупреждениям и инструкциям. Несоблюдение инструкций может привести к поражению электрическим током, возникновению пожара и (или) получению серьезных травм.

**⚠ ПРЕДУПРЕЖДЕНИЕ.** Этот приводной блок 56 В PNA7400E предназначен для использования только с моделями инструментов EGO, указанными в данном руководстве пользователя или рекомендованными EGO для использования с данным приводным блоком. Использование других неавторизованных инструментов может стать причиной серьезных травм и повреждения имущества.

**⚠ ПРЕДУПРЕЖДЕНИЕ.** Никогда не выполняйте установку, демонтаж или регулировку инструментов, если приводной блок работает или установлен аккумулятор. Двигатель должен быть остановлен, а аккумулятор извлечен, в противном случае существует риск получения серьезных травм. **НИКОГДА НЕ ИСПОЛЬЗУЙТЕ ПРИВОДНОЙ БЛОК БЕЗ УСТАНОВЛЕННОГО ИНСТРУМЕНТА.**

## ИСПОЛЬЗОВАНИЕ

### УСТАНОВКА И СНЯТИЕ АККУМУЛЯТОРА

Используйте только аккумуляторы и зарядные устройства EGO, указанные на Рис. А2.

**Перед первым использованием полностью зарядите аккумулятор.**

#### Установка

Совместите ребра аккумулятора с крепежными отверстиями и вставьте аккумулятор до щелчка (Рис. С1).

#### Извлечение

Нажмите кнопку фиксации аккумулятора и извлеките его (Рис. С2).

C1-1	Монтажный паз	C1-2	Выступ
C2-1	Кнопка фиксации аккумулятора		

### ВКЛЮЧЕНИЕ И ВЫКЛЮЧЕНИЕ ПРИВОДНОГО БЛОКА (Рис. D)

- **Чтобы включить приводной блок**, нажмите и удерживайте кнопку блокировки, затем нажмите курковый регулятор скорости. Для продолжительной работы отпустите кнопку блокировки и продолжайте зажимать курок.

**ПРИМЕЧАНИЕ.** Курковый регулятор скорости обеспечивает более высокую скорость при повышенном давлении на курок и более низкую скорость при пониженном давлении на курок.

- **Чтобы выключить приводной блок**, отпустите курковый регулятор и дождитесь полной остановки бура.

D-1	Кнопка блокировки	D-2	Курковый регулятор скорости
-----	-------------------	-----	-----------------------------

### ВЫБОР НАПРАВЛЕНИЯ И СКОРОСТИ ВРАЩЕНИЯ (Рис. E)

Возьмитесь за правую рукоятку правой рукой.

- Переведите селектор в положение «2», чтобы активировать вращение вперед на высокой скорости.
- Переведите селектор в положение «1», чтобы активировать вращение вперед на низкой скорости.
- Переведите селектор в положение «R», чтобы активировать вращение в обратном направлении.

**ПРИМЕЧАНИЕ.** Переключение направления вращения между передним и задним ходом возможно только при остановленном приводном блоке.

**ПРИМЕЧАНИЕ.** Регулировка скорости движения может быть выполнена в любое время, независимо от того, запущен или остановлен приводной блок.

E-1	Переключатель направления/скорости вращения
-----	---



## ИНДИКАТОР СОСТОЯНИЯ

На приводном блоке имеется светодиодный индикатор, отображающий рабочее состояние устройства. Светодиодный индикатор светится только при включенном приводном блоке.

СВЕТОДИОДНЫЙ ИНДИКАТОР СОСТОЯНИЯ	РАБОЧИЕ УСЛОВИЯ	ДЕЙСТВИЕ
Светится зеленым	Приводной блок работает исправно.	Нормальная работа. Никаких действий не требуется.
Светится красным	Приводной блок перегружен.	Отпустите курок, поднимите бур из отверстия и проверьте причины перегрузки. Если какое-либо крупное препятствие привело к остановке устройства, может потребоваться найти другое место для бурения. Если проблему не удается решить, обратитесь в сервисный центр EGO для ремонта.
	Приводной блок слишком холодный.	Отпустите курок. Занесите устройство в помещение, чтобы прогреть его.
Светится оранжевым	Защита от отдачи.	Отпустите курок и поднимите бур из отверстия. Перезапустите устройство и осторожно опустите бур обратно в отверстие.
Мигает красным	Аккумулятор почти разряжен.	Зарядите аккумулятор.
Мигает оранжевым	Приводной блок перегрелся.	Остановите блок и подождите некоторое время, чтобы он остыл.
Попеременно мигает красным и зеленым.	Ошибка связи.	Обратитесь в службу поддержки клиентов EGO для ремонта.
Не светится.	Если светодиодный индикатор на аккумуляторе мигает оранжевым или светится красным, аккумулятор перегрелся.	Дайте аккумулятору остыть и снова запустите бур.
	Другие ошибки электроники.	Обратитесь в службу поддержки клиентов EGO для ремонта.

**RU**

## ОБСЛУЖИВАНИЕ

**⚠ ПРЕДУПРЕЖДЕНИЕ.** Чтобы предотвратить получение серьезных травм, извлекайте аккумулятор перед выполнением сервисного обслуживания, очистки, замены принадлежностей или удаления материала из устройства.

### ОБЩЕЕ ОБСЛУЖИВАНИЕ

Не используйте растворители для очистки пластиковых частей. Большинство пластиковых частей чувствительны к различным бытовым растворителям и могут быть повреждены. Для очистки от грязи, пыли, масла, смазки и т. п. используйте чистую ткань.

**⚠ ПРЕДУПРЕЖДЕНИЕ.** Не допускайте попадания на пластиковые части тормозной жидкости, бензина, продуктов на нефтяной основе, пропитывающих масел и т. д. Химические вещества могут повредить, ослабить или разрушить пластик, что приведет к получению серьезных травм.

## ХРАНЕНИЕ ПРИВОДНОГО БЛОКА

1. Извлеките аккумулятор из приводного блока.
2. Прежде чем убрать приводной блок на хранение, тщательно очистите его.
3. Храните приводной блок в сухом, хорошо проветриваемом, закрытом или высоком месте, недоступном для детей. Не храните приводной блок рядом с удобрениями, бензином или другими химическими веществами.

## ОХРАНА ОКРУЖАЮЩЕЙ СРЕДЫ



Не выбрасывайте электроприборы, зарядные устройства и аккумуляторные батареи вместе с бытовыми отходами! Отправьте данное изделие на переработку в специализированное предприятие или сдайте его для раздельного сбора. Электроинструменты должны быть возвращены на перерабатывающее предприятие, не наносящее ущерба окружающей среде.

## УСТРАНЕНИЕ НЕПОЛАДОК

См. руководство пользователя используемого инструмента.

## RU ГАРАНТИЯ

### ГАРАНТИЙНАЯ ПОЛИТИКА EGO

Посетите веб-сайт [egopowerplus.eu](http://egopowerplus.eu), чтобы ознакомиться со всеми условиями и сроками гарантийной политики EGO.

## PRZECZYTAJ WSZYSTKIE INSTRUKCJE!



PRZECZYTAJ INSTRUKCJĘ OBSŁUGI

**⚠ OSTRZEŻENIE:** Aby zagwarantować bezpieczeństwo i niezawodność, wszystkie naprawy powinny być wykonywane przez wykwalifikowanych techników serwisu.

## SYMBOL BEZPIECZEŃSTWA

Celem symboli bezpieczeństwa jest zwrócenie uwagi użytkownika na możliwe zagrożenia. Symbole bezpieczeństwa i objaśnienia do nich zasługują na to, aby je uważnie przestudiować i zrozumieć. Symbole bezpieczeństwa nie eliminują same z siebie jakichkolwiek zagrożeń. Podawane w nich instrukcje i ostrzeżenia nie zastępują odpowiednich środków zapobiegania wypadkom.

**⚠ OSTRZEŻENIE:** Przed użyciem maszyny należy koniecznie przeczytać ze zrozumieniem wszystkie instrukcje dotyczące bezpieczeństwa podane w podręczniku użytkownika, łącznie z wszystkimi ostrzeżeniami oznaczonymi symbolami ostrzegawczymi takimi jak „**NIEBEZPIECZEŃSTWO**”, „**OSTRZEŻENIE**” i „**UWAGA**”. Niestosowanie się do wszystkich podanych niżej instrukcji może doprowadzić do porażenia prądem, pożaru i/lub poważnych urazów ciała.

## INSTRUKCJE DOTYCZĄCE BEZPIECZEŃSTWA

PL

Na tej stronie pokazano i opisano symbole bezpieczeństwa, które mogą występować na produkcie. Przed podjęciem próby złożenia i użycia maszyny należy przeczytać i zrozumieć wszystkie instrukcje dotyczące maszyny oraz zastosować się do nich.



Ostrzeżenie dotyczące bezpieczeństwa



Aby ograniczyć ryzyko urazów, użytkownik musi przeczytać instrukcję operatora.



Noś ochronniki słuchu



Noś okulary ochronne



Zużytych wyrobów elektrycznych nie należy wyrzucać razem ze zwykłymi odpadami domowymi. Należy je oddać do autoryzowanego punktu recyklingu.



Ten produkt jest zgodny z obowiązującymi dyrektywami WE.



Prąd stały



Znak zgodności z wymaganiami dotyczącymi produktów sprzedawanych w Wielkiej Brytanii



Napięcie



kg Kilogram

IPX4 Zabezpieczenie przed zachlapaniem wodą

## OGÓLNE WSKAZÓWKI DOTYCZĄCE BEZPIECZEŃSTWA UŻYWANIA MASZYNY

**⚠ OSTRZEŻENIE:** Prosimy przeczytać wszystkie ostrzeżenia i instrukcje oraz przestudiować specyfikację i ilustracje dostarczone wraz z maszyną. Niestosowanie się do wszystkich podanych niżej instrukcji może doprowadzić do porażenia prądem, pożaru i/lub poważnych obrażeń.

Wszystkie ostrzeżenia i instrukcje należy zachować na przyszłość.

### BEZPIECZEŃSTWO W MIEJSCU PRACY

- W miejscu pracy należy dbać o czystość i dobre oświetlenie. Bałagan i złe oświetlenie sprzyjają wypadkom.
- Maszyn nie należy używać w miejscach zagrożonych wybuchem, np. w obecności łatwopalnych cieczy, gazów lub pyłu. Maszyna wytwarzają iskry, które mogą zapalić pył lub opary.
- W czasie pracy maszyną należy trzymać z dala od dzieci i osób postronnych. Chwila nieuwagi może spowodować utratę kontroli nad urządzeniem.

### BEZPIECZEŃSTWO ELEKTRYCZNE

- Wtyczki maszyny muszą pasować do gniazdka. Nigdy w jakikolwiek sposób nie wolno przerabiać wtyczki. Do maszyn wymagających uziemienia nie należy używać przejściówek. Oryginalne wtyczki i pasujące do nich gniazdka zmniejszają ryzyko porażenia prądem.
- Należy unikać dotykania ciałem powierzchni uziemionych, takich jak np. rury, kaloryfery, kuchenki i lodówki. Uziemienie ciała zwiększa ryzyko porażenia prądem.
- Maszyny należy chronić przed deszczem i wilgocią. Woda dostająca się do maszyny zwiększa ryzyko porażenia prądem.
- Nie należy nadwyręzać przewodu. Nigdy nie należy używać przewodu do noszenia lub ciągnięcia maszyny; nie wolno chwycić za przewód, aby wyjąć wtyczkę z kontaktu. Przewód należy chronić przed gorącem, ropą, olejem, ostrymi krawędziami i poruszającymi się częściami. Splątane lub uszkodzone przewody zwiększają ryzyko porażenia prądem.

- Podczas używania maszyny na dworze należy stosować przedłużacz nadający się do używania na dworze. Używanie przewodu przeznaczonego do stosowania na dworze zmniejsza ryzyko porażenia prądem.
- Jeżeli użycie maszyny w miejscu o dużej wilgotności jest nieuniknione, należy stosować zasilanie zabezpieczone wyłącznikiem różnicowoprądowym. Używanie wyłącznika różnicowoprądowego zmniejsza ryzyko porażenia prądem.

### BEZPIECZEŃSTWO OSOBISTE

- Podczas używania maszyny należy zachowywać czujność, patrzeć, co się robi i kierować się zdrowym rozsądkiem. Nie należy używać maszyny, gdy użytkownik jest zmęczony, albo pod wpływem narkotyków, alkoholu lub leków. Chwila nieuwagi w czasie posługiwania się maszyną może spowodować poważne urazy.
- Należy używać środków ochrony osobistej. Należy zawsze nosić okulary ochronne. Stosowanie w odpowiednich warunkach sprzętu ochronnego takiego jak np. maska przeciwpyłowa, obuwie ochronne z podeszwami antypoślizgowymi, kask lub ochronniki słuchu zmniejszą ewentualne obrażenia.
- Nie należy dopuszczać do przypadkowego włączenia. Należy pilnować, aby przed podłączeniem maszyny do zasilania i/lub baterii akumulatorowej oraz przed podniesieniem i przenoszeniem przełącznik był ustawiony w pozycji „wylądzone”. Trzymanie palca na przełączniku włączającym w czasie przenoszenia maszyny lub podłączanie ich do zasilania, gdy przełącznik ustawiony jest w pozycji „włączone”, może doprowadzić do wypadku.
- Przed włączeniem maszyny należy usunąć wszystkie klucze regulacyjne i inne narzędzia. Klucz zaczepiony o obracającą się część maszyny może spowodować obrażenia.
- Nie należy sięgać za daleko. Należy zawsze dbać o utrzymanie równowagi i pewne podparcie nóg. W nieprzewidzianych sytuacjach zapewnia to lepszą kontrolę nad maszyną.
- Należy nosić odpowiednią odzież. Nie powinno się nosić luźnych ubrań ani biżuterii. Włosy i odzież należy trzymać w bezpiecznej odległości od poruszających się części. Luźne ubrania, biżuteria lub długie włosy mogą zaczepić się o poruszające się części.

PL

- Jeżeli urządzenie jest przystosowane do podłączania do odsysacza pyłu i urządzenia zbierającego, należy dopilnować, aby systemy te były podłączone i właściwie stosowane. Używanie systemów służących do pochłaniania pyłu może zmniejszyć zagrożenia związane z pyłem.
- Nie wolno dopuścić do tego, aby poczucie znajomości maszyn wynikające z ich częstego używania doprowadziło do lekceważenia i ignorowania zasad bezpieczeństwa. Jedno lekkomyślne działanie może w ułamku sekundy doprowadzić do ciężkich urazów.

#### UŻYWANIE I UTRZYMANIE MASZyny

- Maszyny nie należy forsować. Należy używać maszyny odpowiedniej do wykonywanej pracy. Odpowiednia maszyna wykona pracę lepiej i bezpieczniej, gdy pozwoli się jej pracować z prędkością/obrotami do jakich została zaprojektowana.
- Nie należy używać maszyny, jeżeli przełącznik zasilania nie włącza jej lub nie wyłącza. Maszyna, której nie da się kontrolować przełącznikiem, jest potencjalnie niebezpieczna i wymaga naprawy.
- Przed przystąpieniem do regulacji maszyny oraz przed wymianą akcesoriów lub odłożeniem maszyny na miejsce, należy odłączyć ją od zasilania i/lub wyjąć akumulator. Tego typu zapobiegawcze środki ostrożności zmniejszają ryzyko przypadkowego włączenia się maszyny.
- Nieużywane maszyny należy przechowywać w miejscu niedostępnym dla dzieci. Nie wolno dopuszczać do obsługi maszyny przez osoby, które nie znają maszyny lub nie zapoznały się z niniejszą instrukcją. W rękach nieprzeszkolonych użytkowników maszyny mogą stanowić zagrożenie.
- Maszyny i akcesoria należy utrzymywać w dobrym stanie. Należy kontrolować, czy części ruchome nie są odchylone od osi, nie zacinają się i nie są pęknięte lub uszkodzone w inny sposób, który mógłby wpłynąć na działanie maszyny. Jeśli maszyna jest uszkodzona, przed użyciem należy ją naprawić. Wiele wypadków wynika ze złej konserwacji maszyn.
- Należy dbać o czystość i naostrzenie maszyn tnących. Odpowiednio utrzymane maszyny tnące z ostrymi krawędziami tnącymi są mniej narażone na zakleszczanie się i łatwiej jest je kontrolować.
- Maszyny, akcesoriów, wiertel, bitów, itp. należy używać zgodnie z niniejszą instrukcją, z uwzględnieniem warunków i rodzaju wykonywanej pracy. Korzystanie z maszyny

niezgodnie z przeznaczeniem może doprowadzić do niebezpiecznych sytuacji.

- Należy dbać o to, aby uchwyty i powierzchnie do trzymania były suche, czyste i niezaplamione olejem lub smarem. Śliszkie uchwyty nie pozwalają w bezpieczny sposób kontrolować maszyny w nieprzewidywanych sytuacjach.

#### UŻYWANIE I UTRZYMANIE MASZyny AKUMULATOROWEJ

- Do ładowania należy używać wyłącznie ładowarki wskazanej przez producenta. Użycie ładowarki pochodzącej od jednego akumulatora do ładowania innego akumulatora grozi pożarem.
- Maszyn należy używać wyłącznie z dedykowanymi do nich akumulatorami. Użycie jakichkolwiek innych akumulatorów grozi obrażeniami i pożarem.
- Jeżeli akumulator nie jest używany, należy go przechowywać z dala od innych przedmiotów metalowych, np. spinaczy, monet, kluczy, gwoździ, śrub, wkrętów i innych drobnych przedmiotów metalowych, które mogłyby spowodować zwarcie wyprowadzeń akumulatora. Zwarcie wyprowadzeń akumulatora może doprowadzić do oparzeń lub pożaru.
- W niesprzyjających warunkach może dojść do wycieku cieczy z akumulatora. Należy wtedy unikać wszelkiego kontaktu z tą cieczą. W razie przypadkowego kontaktu ze skórą, zabrudzone miejsce należy obficie przemyć wodą. Jeżeli płyn dostanie się do oczu, należy dodatkowo zasięgnąć porady lekarza. Płyn wyciekający z akumulatora może powodować podrażnienie lub oparzenia.
- Nie należy używać akumulatorów lub maszyn, które są uszkodzone lub zostały poddane przeróbkom. Uszkodzone lub zmodyfikowane akumulatory mogą zachowywać się w sposób nieprzewidywalny, co może doprowadzić do pożaru lub wybuchu lub stwarzać ryzyko urazów.
- Nie należy narażać akumulatora lub maszyny na kontakt z ogniem lub zbyt wysokimi temperaturami. Ogień lub temperatury przekraczające 130°C mogą doprowadzić do wybuchu.
- Należy przestrzegać wszystkich instrukcji ładowania. Nie należy ładować akumulatora lub maszyny poza przedziałem temperatur podanym w instrukcji. Ładowanie w sposób nieprawidłowy lub w temperaturze wykraczającej poza określony zakres może doprowadzić do uszkodzenia akumulatora i zwiększa ryzyko pożaru.

PL

## SERWISOWANIE

- **Serwisowanie maszyny należy powierzać wykwalifikowanemu serwisantowi. Do naprawy należy używać wyłącznie części zamiennych identycznych z oryginalnymi.** Zapewni to bezpieczeństwo eksploatacji maszyny.
- **Uszkodzonych akumulatorów nie należy nigdy naprawiać.** Jakiegokolwiek czynności serwisowe przy akumulatorach powinny być wykonywane wyłącznie przez producenta lub pracowników autoryzowanego serwisu.

## OSTRZEŻENIA DOTYCZĄCE BEZPIECZEŃSTWA UŻYWANIA GŁOWICY NAPĘDOWEJ

- **Głowica napędowa PHA7400E może być używana wyłącznie z narzędziami EGO wymienionymi poniżej lub z narzędziami EGO wprowadzonymi w późniejszym okresie, dedykowanymi do współpracy z niniejszą głowicą napędową:**

RODZAJ KOŃCÓWKI	NUMER MODELU
Świder do ziemi	ETA0800E
Świder do lodu	ITA0800E

- **Jeśli świdry są pęknięte, wygięte lub w jakikolwiek sposób uszkodzone, należy je wymienić.** Używanie maszyny z uszkodzonym świdrem może doprowadzić do poważnych obrażeń.
- **Nigdy nie należy używać świdra z uchwytami powyżej poziomu pasa.** Ogranicza to kontrolę nad świdrem i może zwiększyć ryzyko obrażeń.
- **Maszynę należy trzymać oburącz za przeznaczone do tego uchwyty.** Utrata kontroli może doprowadzić do obrażeń ciała.
- **W czasie wykonywania prac, w trakcie których końcówka kopiająca może natrafić na ukryty przewód elektryczny, maszynę należy trzymać za izolowane uchwyty.** Dotknięcie końcówką kopiającą przewodu pod napięciem może spowodować, że przez nieizolowane elementy metalowe maszyny popłynie prąd, co grozi operatorowi porażeniem.
- **Aby zmniejszyć ryzyko porażenia prądem, nigdy nie należy używać świdra w pobliżu zakopanych kabli elektrycznych.** Zetknięcie się z zakopanymi przewodami elektrycznymi lub używanie urządzenia w ich pobliżu może spowodować poważne obrażenia lub porażenie prądem, a w konsekwencji śmierć.
- **Maszynę należy zawsze włączać na małej prędkości i z końcówką świdra przyłożoną do podłoża.** Na wyższych obrotach, jeśli dopuści się do swobodnego kręcenia się świdra bez dotykania podłoża, świder może się skrzywić, co może doprowadzić do urazów.
- **Narzędzie można dociskać tylko w kierunku wyznaczonym przez świder, nie należy go jednak naciskać zbyt mocno.** Świdry mogą się wygiąć, co może spowodować ich złamanie się, utratę kontroli nad narzędziem i w konsekwencji urazy.
- **Należy zawsze dbać o pewne podparcie stóp.** Podczas używania maszyny na wysokościach należy mieć pewność, że nikt nie znajduje się poniżej.
- **Maszynę należy mocno trzymać.**
- **Ręce należy trzymać z dala od obracających się części.**
- **Nie wolno zostawiać włączonej maszyny. Maszynę należy włączać wyłącznie wtedy, gdy trzyma się ją w rękach.**
- **Nie należy dotykać końcówki świdra bezpośrednio po zakończeniu pracy.** Może być ona bardzo gorąca i może doprowadzić do poparzenia skóry.
- **Jeśli z maszyną coś jest nie tak, np. słychać nietypowe odgłosy, należy natychmiast przerwać pracę i skontaktować się z lokalnym centrum serwisowym w celu przeprowadzenia naprawy.**
- **Aby zmniejszyć ryzyko wybuchu, nigdy nie należy używać świdra w pobliżu zakopanych przewodów i rur, w tym w szczególności rur gazowych i wodociągowych.** Zetknięcie się z zakopanymi rurami wodociągowymi lub gazowymi lub używanie maszyny w pobliżu takich rur może doprowadzić do ich przebicia, rozerwania instalacji wodociągowej i wybuchu przewodów gazowych, co może spowodować poważne obrażenia lub śmierć.
- **Nigdy nie należy pracować na obrotach wyższych niż maksymalna znamionowa prędkość obrotowa świdra.** Na wyższych obrotach, jeśli pozwoli mu się swobodnie się kręcić bez dotykania nawiercanego elementu, świder może się skrzywić, co może doprowadzić do urazów.
- **Urządzenia akumulatorowe nie muszą być podłączone do gniazdka elektrycznego, dzięki czemu są zawsze gotowe do pracy. Należy więc mieć świadomość możliwych zagrożeń, występujących nawet wtedy, gdy maszyna nie jest używana.** Podczas wykonywania czynności

PL

konserwacyjnych lub serwisowych należy zachować ostrożność.

- Nie należy czyścić urządzenia węžem; należy unikać zachłapania wodą silnika i połączeń elektrycznych.
- Ostrza do lodu są bardzo ostre. Podczas wiercenia otworów lub wymiany ostrzy należy zachować maksymalną ostrożność. Po każdym użyciu należy założyć osłonę ostrzy.
- Należy często sprawdzać i upewniać się, że śruba blokująca jest zamocowana na swoim miejscu.

#### NINIEJSZĄ INSTRUKCJĘ NALEŻY ZACHOWAĆ.

Zachęcamy do częstego korzystania z niej. Instrukcja może też posłużyć do przeszkolenia innych osób, które będą używały maszyny. Jeśli maszyna zostaje komuś wypożyczona, osobie tej należy również udostępnić niniejszą instrukcję, aby zapobiec niewłaściwemu użytkowaniu i możliwym urazom.

## SPECYFIKACJA

Napięcie	56 V	
Moment obrotowy	74 Nm	
Prędkość bez obciążenia (n <sub>0</sub> )	Do przodu	Mała: 0-150 /min Duża: 0-210 /min
	Do tyłu	100 /min
Ciężar (bez akumulatora)	10,2 kg	

## LISTA ELEMENTÓW W OPAKOWANIU (RYS. A1)

### OPIS

#### ZAPOZNANIE SIĘ Z GŁOWICĄ NAPĘDOWĄ (Rys. A1)

1. Uchwyt lewy
2. Uchwyt prawy
3. Przełącznik kierunku obrotów/prędkości
4. Przycisk odblokowujący
5. Przełącznik spustowy z regulacją prędkości
6. Przycisk odblokowujący akumulator
7. Kontrolka LED
8. Głowica napędowa
9. Port akumulatora
10. Klucz nasadowy (10 mm)
11. Klucz imbusowy (5 mm)

## MONTAŻ

### ZAKŁADANIE UCHWYTÓW

1. Z portem akumulatora skierowanym do tyłu, włożyć rury prawego i lewego uchwytu w zakrzywione szczeliny w podstawie głowicy napędowej (Rys. B1).
2. Dopasować dwa otwory w każdej rurze uchwytu do dwóch otworów w każdym gnieździe podstawy.

**UWAGA:** Nieprawidłowy montaż uchwytów z prawej i lewej strony spowoduje, że dopasowanie powyższych otworów będzie niemożliwe.

3. Użyć 8 zestawów śrub, podkładek i nakrętek, aby przymocować uchwyty do głowicy napędowej. Aby je mocno dokręcić, użyć klucza płaskiego i klucza imbusowego 5 mm (Rys. B2).
4. Wyrównać strzałkę na kablu prawego uchwytu ze strzałką na kablu głowicy napędowej. Następnie włożyć wtyczkę kabla prawego uchwytu do gniazda kablowego głowicy napędowej. Mocno je zacisnąć (Rys. B2).

**UWAGA:** Aby zapobiec uszkodzeniu kabla, nie należy podczas montażu zginać go ani skręcać.

PL

B1-1	Uchwyt prawy	B1-2	Uchwyt lewy
B1-3	Port akumulatora	B2-1	Śruba
B2-2	Podkładka	B2-3	Nakrętka
B2-4	Wtyczka kabla	B2-5	Gniazdo kablowe

### INSTALOWANIE GŁOWICY NAPĘDOWEJ

**⚠ OSTRZEŻENIE:** Prosimy przeczytać i zrozumieć całą instrukcję operatora do każdej opcjonalnej końcówki używanej z głowicą napędową, należy też zastosować się do wszystkich podanych ostrzeżeń i instrukcji. Niestosowanie się do wszystkich instrukcji może doprowadzić do porażenia prądem, pożaru i/lub poważnych obrażeń.

**⚠ OSTRZEŻENIE:** Głowicę napędową PHA7400E 56 V zaprojektowano do używania tylko z końcówkami EGO i tylko z modelami podanymi w instrukcji operatora lub wprowadzonymi przez EGO w późniejszym okresie z przeznaczeniem do używania razem z tą głowicą. Używanie innych końcówek, które nie zostały zatwierdzone przez producenta może doprowadzić do poważnych urazów lub szkód materialnych.

**⚠ OSTRZEŻENIE:** Gdy głowica napędowa pracuje lub gdy jest w niej założony akumulator, nie należy w niej nigdy zakładać, zdejmować ani regulować jakichkolwiek końcówek. Niewyłączenie silnika narzędzia i niewyjęcie akumulatora może spowodować poważne urazy ciała. **NIGDY NIE NALEŻY WŁĄCZAĆ GŁOWICY BEZ ZAŁOŻONEJ KOŃCÓWKI.**

## UŻYTKOWANIE

### ZAŁADANIE/WYJMOWANIE AKUMULATORA

Do urządzenia należy używać wyłącznie ładowarek i akumulatorów marki EGO wymienionych na Rys. A2.

**Naładować przed pierwszym użyciem.**

#### Zakładanie

Należy dopasować żeberka akumulatora do szczelin mocujących i wsunąć akumulator, aż da się słyszeć kliknięcie (Rys. C1).

**PL**

#### Wymywanie

Należy wcisnąć przycisk odblokowujący akumulator i wysunąć akumulator (Rys. C2).

C1-1	Szczelina montażowa	C1-2	Żeberko
C2-1	Przycisk odblokowujący akumulator		

### WŁĄCZANIE/WYŁĄCZANIE GŁOWICY NAPĘDOWEJ (Rys. D)

- Aby włączyć głowicę napędową, należy nacisnąć i przytrzymać przycisk odblokowujący, a następnie nacisnąć przełącznik spustowy z regulacją prędkości. Puścić przycisk odblokowujący, ale w dalszym ciągu wciskać przełącznik spustowy, aby podtrzymać pracę narzędzia.

**UWAGA:** Przełącznik spustowy z regulacją prędkości zwiększa obroty w miarę większego wciśnięcia spustu oraz zmniejsza je, gdy spust jest naciskany słabiej.

- Aby wyłączyć głowicę napędową, należy puścić przełącznik spustowy i pozwolić świdrowi całkowicie się zatrzymać.

D-1	Przycisk odblokowujący	D-2	Przełącznik spustowy z regulacją prędkości
-----	------------------------	-----	--

### WYBÓR KIERUNKU I PRĘDKOŚCI OBROTÓW (Rys. E)

Przytrzymać prawy uchwyt prawą ręką.

- Aby włączyć obroty do przodu z dużą prędkością, należy przesunąć przełącznik w pozycję „2”.
- Aby włączyć obroty do przodu z małą prędkością, należy przesunąć przełącznik w pozycję „1”.
- Aby włączyć obroty do tyłu, należy przesunąć przełącznik w pozycję „R”.

**UWAGA:** Przełączanie kierunku obrotów między kierunkiem do przodu i do tyłu jest możliwe tylko wtedy, gdy głowica napędowa jest wyłączona.

**UWAGA:** Prędkość do przodu można regulować w dowolnym momencie, niezależnie od tego, czy głowica napędowa jest włączona czy nie.

E-1	Przełącznik kierunku obrotów/prędkości
-----	--



## WSKAŹNIK STANU

Głowica napędowa świdra jest wyposażona we wskaźnik stanu LED, który informuje o stanie działania maszyny. Wskaźnik LED zaświeci się tylko po włączeniu głowicy napędowej.

WSKAŹNIK LED STANU	STAN ROBOCZY	DZIAŁANIE
Świeci na zielono	Głowica napędowa działa prawidłowo.	Normalne działanie. Nie są wymagane żadne działania.
Świeci na czerwono	Głowica napędowa jest przeciążona.	Puścić przycisk spustowy, podnieść i wyjąć świder z otworu i sprawdzić przyczyny przeciążenia. Jeśli duża przeszkoda spowodowała zatrzymanie się maszyny, może być konieczne znalezienie innego miejsca, w którym można będzie kopać. Jeśli problemu nie da się rozwiązać, należy skontaktować się z działem obsługi klienta EGO w celu naprawy.
	Głowica napędowa jest zbyt zimna.	Puścić przełącznik spustowy. Umieścić świder w pomieszczeniu, aby go rozgrzać.
Świeci na pomarańczowo	Zabezpieczenie przed odbiciem.	Puścić przycisk spustowy, podnieść świder i wyjąć go z otworu. Ponownie włączyć świder i delikatnie opuścić go z powrotem do otworu.
Miga na czerwono	Akumulator jest prawie całkowicie rozładowany.	Naładować akumulator.
Miga na pomarańczowo	Głowica napędowa przegrzała się.	Wyłączyć świder i odczekać chwilę, aż maszyna ostygnie.
Miga na przemian na zielono i czerwono.	Błąd komunikacji.	Skontaktować się z punktem obsługi klienta EGO w celu dokonania naprawy.
Nie świeci.	Jeśli wskaźnik LED na jednym lub obu akumulatorach miga na pomarańczowo lub świeci na czerwono, akumulator jest przegrzany.	Pozwolić akumulatorowi ostygnąć i włączyć świder ponownie.
	Inny błąd elektroniki.	Skontaktować się z punktem obsługi klienta EGO w celu dokonania naprawy.

**PL**

## KONSERWACJA

**⚠ OSTRZEŻENIE:** Aby uniknąć poważnych obrażeń ciała, przed serwisowaniem, czyszczeniem, wymianą osprzętu dodatkowego oraz usuwaniem materiału należy zawsze wyjmować z produktu akumulator.

### KONSERWACJA OGÓLNA

Podczas czyszczenia części plastikowych należy unikać używania rozpuszczalników. Pod wpływem kontaktu z różnego rodzaju rozpuszczalnikami dostępnymi w handlu większość tworzyw może ulec uszkodzeniu. Do usuwania zabrudzeń, kurzu, oleju, smaru itp. należy używać czystej ściereczki.

**⚠ OSTRZEŻENIE:** Nigdy nie należy dopuszczać do kontaktu elementów plastikowych z substancjami takimi jak płyn hamulcowy, benzyna, produkty ropopochodne, oleje penetrujące itp. Substancje chemiczne mogą uszkodzić, osłabić lub zniszczyć tworzywa, co może w konsekwencji spowodować poważne obrażenia.

## PRZECHOWYWANIE GŁOWICY NAPĘDOWEJ

1. Wyjąć akumulator z głowicy napędowej.
2. Przed schowaniem dokładnie wyczyścić głowicę napędową.
3. Głowicę napędową należy przechowywać w suchym i przewiewnym miejscu niedostępnym dla dzieci: albo pod kluczem, albo wystarczająco wysoko. Głowicy napędowej nie należy używać na nawozach lub w ich pobliżu; to samo dotyczy podłoży zanieczyszczonych benzyną i substancjami chemicznymi.

## OCHRONA ŚRODOWISKA



Urządzeń elektrycznych, zużytych akumulatorów i ładowarki nie należy wyrzucać do zwykłych zmieszanych śmieci domowych! Produkt należy oddać do zbiórki selektywnej w autoryzowanym punkcie recyklingu. Elektronarzędzia należy oddawać do przyjaznego dla środowiska zakładu recyklingu.

## ROZWIĄZYWANIE PROBLEMÓW

Patrz instrukcja obsługi do odpowiednich końcówek.

## GWARANCJA

### POLITYKA GWARANCYJNA EGO

W celu zapoznania się z wszystkimi warunkami polityki gwarancyjnej EGO prosimy wejść na stronę [egopowerplus.eu](http://egopowerplus.eu).

PL

## PŘEČTĚTE SI VŠECHNY POKYNY!



PŘEČTĚTE SI NÁVOD K OBSLUZE

**VAROVÁNÍ:** Z důvodu zajištění bezpečnosti a spolehlivosti musí všechny opravy provádět kvalifikovaný servisní technik.

## BEZPEČNOSTNÍ SYMBOL

Účelem bezpečnostních symbolů je upoutat vaši pozornost k případným nebezpečím. Bezpečnostní symboly a jejich vysvětlení vyžadují vaši zvýšenou pozornost a porozumění. Výstražné symboly samy o sobě nevylučují žádné nebezpečí. Pokyny a varování nejsou náhradou vhodných opatření pro prevenci úrazů.

**VAROVÁNÍ:** Před použitím tohoto stroje si přečtěte a porozumějte všem bezpečnostním pokynům v tomto návodu k obsluze, včetně všech bezpečnostních výstražných symbolů, jako jsou „**NEBEZPEČÍ**“, „**VAROVÁNÍ**“ a „**UPOZORNĚNÍ**“. Nedodržení níže uvedených pokynů může mít za následek úraz elektrickým proudem, požár anebo vážná zranění osob.

## BEZPEČNOSTNÍ POKYNY

Na této stránce jsou zobrazeny a popsány bezpečnostní symboly, které se mohou na výrobku objevit. Před montáží a provozem si přečtěte, seznámte se a dodržujte veškeré pokyny ke stroji.

**CZ**



Bezpečnostní upozornění



Z důvodu snížení rizika úrazu si musí uživatel přečíst návod k obsluze.



Používejte chrániče sluchu



Používejte ochranu očí



Odpadní elektrické výrobky se nesmí likvidovat s domovním odpadem. Odevzdejte je do autorizovaného recyklačního střediska.



Tento výrobek je v souladu s platnými směrnici ES.



Stejnoseměrný proud



Posouzení shody ve Spojeném království

V Napětí

kg Kilogram

IPX4 Ochrana před stříkající vodou

## VŠEOBECNÁ BEZPEČNOSTNÍ UPOZORNĚNÍ PRO STROJ

**VAROVÁNÍ:** Přečtěte si všechny bezpečnostní výstrahy, pokyny, ilustrace a technické údaje dodané s tímto strojem. Nedodržení všech níže uvedených pokynů může vést k úrazu elektrickým proudem, požáru anebo vážnému úrazu.

Všechna varování a pokyny uschovejte pro budoucí použití.

### BEZPEČNOST NA PRACOVIŠTI

- Udržujte pracovní prostor čistý a dobře osvětlený. Nepořádek nebo neosvětlené pracovní oblasti bývají příčinou úrazů.
- Nepoužívejte stroje ve výbušném prostředí, například v přítomnosti hořlavých kapalin, plynů nebo prachu. Stroje jsou zdrojem jiskření, které může zapálit prach nebo výpary.
- Při práci se strojem udržujte děti a přihlížející osoby v bezpečné vzdálenosti. Nesoustředěnost může způsobit ztrátu kontroly.

### ELEKTRICKÁ BEZPEČNOST

- Zástrčky stroje musí odpovídat zásuvce. V žádném případě nikdy neupravujte zástrčku. Nepoužívejte žádné adaptérové zástrčky s uzemněnými stroji. Neupravené zástrčky a vhodné zásuvky snižují riziko úrazu elektrickým proudem.
- Zabraňte kontaktu těla s uzemněnými povrchy, jako jsou potrubí, radiátory, sporáky a ledničky. Existuje zvýšené riziko úrazu elektrickým proudem, pokud je vaše tělo uzemněno.
- Nevystavujte stroje dešti nebo moku. Voda vnikající do stroje zvyšuje riziko úrazu elektrickým proudem.
- Nepoužívejte kabel nevhodným způsobem. Nikdy nepoužívejte kabel k přenášení, vytahování nebo odpojování stroje z elektrické sítě. Udržujte kabel daleko od tepla, oleje, ostrých hran nebo pohyblivých částí. Poškozené nebo spletené kabely zvyšují riziko úrazu elektrickým proudem.
- Při práci se strojem venku používejte prodlužovací kabel vhodný pro venkovní použití. Použití kabelu vhodného pro venkovní použití snižuje riziko úrazu elektrickým proudem.
- Pokud musíte se strojem pracovat ve vlhkém prostředí, použijte přerušovač zemního spojení.

Použití přerušovače zemního obvodu (GFCI) snižuje riziko úrazu elektrickým proudem.

### OSOBNÍ BEZPEČNOST

- Při práci se strojem buďte stále pozorní, sledujte, co děláte a používejte zdravý rozum. Nepoužívejte stroj, jste-li unaveni nebo pod vlivem drog, alkoholu nebo léků. Jediná chvilka nepozornosti při práci se strojem může mít za následek vážný úraz.
- Používejte osobní ochranné pracovní prostředky. Vždy používejte ochranu očí. Ochranné pomůcky, jako např. respirátor, protiskluzová bezpečnostní obuv, pevná přilba nebo chrániče sluchu používané ve vhodném prostředí sniží riziko úrazu.
- Zabraňte náhodnému spuštění. Před připojením ke zdroji napětí a/nebo akumulátoru, zvedáním nebo přenášením stroje se ujistěte, že vypínač je ve vypnuté poloze. Přenášení strojů s prstem na spínači nebo zapínání strojů se zapnutým spínačem vybízí k nehodám.
- Před zapnutím stroje odstraňte seřizovací klíče nebo nářadí. Nářadí nebo klíč, který zůstane upevněn k otáčející se části stroje, může způsobit zranění.
- Nepřesahujte. Vždy udržujte pevný postoj a rovnováhu. To umožní lepší ovládnutí stroje v nečekaných situacích.
- Používejte vhodný oděv. Nenoste volný oděv ani šperky. Udržujte vaše vlasy a oblečení mimo dosah pohyblivých se částí. Volný oděv, šperky nebo dlouhé vlasy se mohou zachytit do pohyblivých se částí.
- Pokud je zařízení vybaveno adaptérem pro připojení odsávání prachu a sběrnými zařízeními, zajistěte jejich správné připojení a řádnou funkci. Použití odsávání prachu může snížit nebezpečí týkající se prachu.
- Nedovolte, abyste se po získání zkušeností častým používáním strojů stali neobezřetnými a ignorovali zásady bezpečnosti. Nedbalá činnost může způsobit vážné zranění za zlomek sekundy.

### POUŽITÍ A PÉČE O STROJ

- Nevyvíjejte na stroj násilí. Použijte správný stroj pro danou aplikaci. Správný stroj bude pracovat lépe a bezpečněji rychlostí, pro kterou byl navržen.
- Nepoužívejte stroj, pokud jej spínač nezapíná a nevypíná. Každý stroj, který nelze ovládat spínačem, je nebezpečný a musí být opraven.
- Před seřizováním, výměnou příslušenství nebo uskladněním stroje odpojte zástrčku ze zdroje napájení a/nebo vyjměte akumulátor, pokud je

odnímatelný, ze stroje. Tato preventivní bezpečnostní opatření snižují riziko náhodného spuštění stroje.

- **Nečinné stroje skladujte mimo dosah dětí a nedovolte osobám, které nejsou obeznámeny se zařízením nebo s těmito pokyny, aby jej obsluhovaly.** Stroje jsou v rukou ne kvalifikované obsluhy nebezpečné.
- **Provádějte údržbu strojů a příslušenství. Kontrolujte případnou nesouosost nebo ohyb pohyblivých se částí, narušení dílů a ostatní podmínky, které mohou ovlivnit provoz stroje. V případě poškození nechte stroj před použitím opravit.** Mnoho nehod a úrazů je způsobeno nedostatečně udržovanými stroji.
- **Udržujte řezací stroje ostré a čisté.** Rádně udržované žací stroje s ostrými řeznými hranami nemají tendenci se ohýbat a lépe se ovládají.
- **Používejte stroj, příslušenství a strojové hroty atd. v souladu s těmito pokyny s přihlédnutím k pracovním podmínkám a práci, která má být provedena.** Použití stroje na činnosti jiné, než je určující použití, může vést k nebezpečným situacím.
- **Udržujte rukojeti a uchopovací plochy suché, čisté, bez oleje a maziva.** Kluzké rukojeti a plochy pro uchopení neumožňují bezpečnou manipulaci se strojem a jeho ovládání v nečekaných situacích.

#### POUŽITÍ A PÉČE O AKUMULÁTOROVÝ STROJ

- **K nabíjení používejte pouze nabíječku doporučenou výrobcem.** Nabíječka vhodná pro jeden typ akumulátoru může způsobit riziko požáru při použití s jiným akumulátorem.
- **Stroje používejte pouze se specifikovanými akumulátory.** Použití jiných akumulátorů může způsobit riziko úrazu a požáru.
- **Pokud akumulátor nepoužíváte, držte jej z dosahu kovových předmětů, jako jsou kancelářské sponky na papír, mince, klíče, hřebíky, šroubky nebo další drobné kovové předměty, které mohou propojit kontakty akumulátoru.** Zkratování kontaktů baterie může způsobit spáleniny nebo požár.
- **V nevhodných podmínkách může kapalina unikat z akumulátoru. Zabraňte kontaktu. Při náhodném kontaktu opláchněte vodou. Při zasažení očí kapalinou vyhledejte lékařskou pomoc.** Unikající kapalina z akumulátoru může způsobit podráždění pokožky nebo popáleniny.
- **Nepoužívejte akumulátor nebo stroj, který je poškozen nebo upraven.** Poškozené nebo upravené akumulátory mohou mít nepředvídatelné chování, které může vést k požáru, výbuchu nebo nebezpečí zranění.

- **Nevystavujte akumulátor ani stroj ohni nebo příliš vysoké teplotě.** Při vystavení ohni nebo teplotě nad 130 °C může dojít k výbuchu.
- **Dodržujte všechny pokyny pro nabíjení a nenabíjejte akumulátor nebo stroj mimo rozsah teplot uvedených v pokynech.** Nesprávné nabíjení nebo nabíjení při teplotách mimo stanovený rozsah může poškodit akumulátor a zvýšit riziko požáru.

#### SERVIS

- **Servis vašeho stroje svěřte kvalifikovanému opraváři, který používá pouze originální náhradní díly.** Tim zajistíte bezpečnost stroje.
- **Nikdy neopravujte poškozené akumulátory.** Servis akumulátorů může provádět pouze výrobce nebo autorizovaní poskytovatelé služeb.

## BEZPEČNOSTNÍ UPOZORNĚNÍ PRO POHONNOU HLAVU

- **Tato pohonná hlava PHA7400E může být použita pouze s následujícími nástavci EGO nebo následně zavedenými společností EGO pro použití s touto pohonnou hlavou:**

GZ

TYP NÁSTAVCE	ČÍSLO MODELU
Zemní vrták	ETA0800E
Šnekový vrták na led	ITA0800E


- **Pokud jsou šneky prasklé, ohnuté nebo jakkoli poškozené, vyměňte je.** Provoz stroje s poškozeným šnekem může vést k vážnému zranění.
- **Nikdy nepoužívejte šnek s rukojetí nad úrovní pasu.** To omezuje ovládání šneku a může zvýšit riziko zranění.
- **Stroj držte oběma rukama za určené úchyty.** Ztráta kontroly může způsobit zranění osob.
- **Při práci, při níž se může vrtací příslušenství dotknout skrytých vodičů, držte stroj za izolované úchopné plochy.** Vrtací příslušenství, které je v kontaktu s vodičem „pod proudem“, může rozvést proud do nechráněných kovových částí stroje a způsobit obsluhu úraz elektrickým proudem.
- **Chcete-li snížit riziko úrazu elektrickým proudem, nikdy nepoužívejte tyčové nůžky na živý plot v blízkosti elektrického vedení.** Kontakt s elektrickými kabely uloženými v zemi nebo používání v jejich blízkosti může způsobit vážné zranění nebo úraz elektrickým proudem s následkem smrti.

- **Vždy začněte vrtání při nízkých otáčkách a s hrotem šnekového vrtáku v kontaktu se zemí.** Při vyšších rychlostech se hrot může ohýbat, pokud se nechá volně otáčet bez kontaktu se zemí, což má za následek zranění osob.
- **Vyvíjejte tlak pouze v přímé linii s hrotem a nevyvíjejte nadměrný tlak.** Hroty se mohou ohýbat a způsobit zlomení nebo ztrátu kontroly, což má za následek zranění osob.
- **Vždy se ujistěte, že máte pevný postoj.** Při používání stroje na vyvýšených místech dbejte na to, aby se pod ním nikdo nenacházel.
- **Pevně držte stroj.**
- **Nepřibližujte ruce k rotujícím částem.**
- **Nenechávejte stroj v provozu. Stroj ovládejte pouze ručně.**
- **Nedotýkejte se šnekového vrtáku bezprostředně po ukončení práce.** Může být velmi horký a mohl by vám popálit kůži.
- **Pokud je se strojem něco v nepořádku, např. neobvyklé zvuky, okamžitě přestaňte pracovat a obraťte se na místní servisní středisko, které zajistí opravu.**
- **Abyste snížili riziko výbuchu, nikdy nepoužívejte šnek v blízkosti jakýchkoli zakopaných plynových vedení, včetně vodovodních potrubí a trubek.** Kontakt s vodovodním nebo plynovým potrubím nebo použití v jeho blízkosti může vést k prasknutí vodovodního potrubí a výbuchu plynového potrubí, což může způsobit vážné zranění nebo smrt.
- **Nikdy nepracujte při vyšších otáčkách, než je maximální rychlost šnekového vrtáku.** Při vyšších rychlostech se hrot může ohýbat, pokud se nechá volně otáčet bez kontaktu s obrobkem, což má za následek zranění osob.
- **Akumulátorový stroj se nemusí zapojovat do elektrické zásuvky, proto je vždy v provozním stavu. Nezapomínejte na možná rizika ani v případě, že je stroj vypnutý.** Dávejte pozor při provádění údržby nebo opravy.
- **K mytí nepoužívejte hadici; dbejte, aby se do motoru a elektrických přípojek nedostala voda.**
- **Čepele na led jsou velmi ostré. Při vrtání otvoru nebo výměně čepelí dbejte zvýšené opatrnosti. Po každém použití nasadte kryt čepele.**
- **Často kontrolujte a ujistěte se, že je zajišťovací šroub zajištěn na svém místě.**

## TYTO POKYNY UCHOVEJTE PRO BUDOUCÍ POUŽITÍ.

Často se na ně odkazujte a používejte je k instruování ostatních, kteří mohou tento stroj používat. Pokud stroj někomu půjčíte, půjčte mu také tento návod k obsluze, aby nedošlo k nesprávnému použití výrobku nebo případně k úrazu.

## TECHNICKÉ ÚDAJE

Napětí		56 V 
Točivý moment		74 Nm
Rychlost bez zatížení ( $n_0$ )	Dopředu	Nízká: 0-150/min Vysoká: 0-210/min
	Couvání	100/min
Hmotnost (bez akumulátoru)		10,2 kg

## OBSAH BALENÍ (OBR. A1)

### POPIS

#### SEZNAMTE SE S VAŠÍ POHONNOU HLAVOU (Obr. A1)

1. Levá rukojeť
2. Pravá rukojeť
3. Volič směru/rychlosti otáčení
4. Blokovací tlačítko
5. Spouštěcí spínač s nastavením rychlosti
6. Tlačítko pro uvolnění akumulátoru
7. LED kontrolka
8. Pohonná hlava
9. Port akumulátorového bloku
10. Nástrčný klíč (10 mm)
11. imbusový klíč (5 mm)

### MONTÁŽ

#### INSTALACE RUKOJETI

1. S otvorem pro akumulátor směrem dozadu zasuňte trubky pravé a levé rukojeti do zahnutých drážek na základně pohonné hlavy (obr. B1).
2. Zarovnejte dva otvory v každé trubce rukojeti se dvěma otvory v každé drážce základny.

**POZNÁMKA:** Nesprávná pravá/levá instalace rukojeti zabrání zarovnání těchto otvorů.

3. K upevnění rukojeti k pohonné hlavě použijte 8 sad šroubů, podložek a matic. Pomocí klíče a imbusového klíče 5 mm je pevně utáhněte (obr. B2).

4. Srovnejte šipku na kabelu pravé rukojeti se šipkou na kabelu pohonné hlavy. Poté zasuňte zástrčku kabelu pravé rukojeti do zásuvky kabelu pohonné hlavy. Pevně je utáhněte (obr. B2).

**POZNÁMKA:** Aby nedošlo k poškození kabelu, neohýbejte jej ani nekruťte při montáži.

B1-1	Pravá rukojeť	B1-2	Levá rukojeť
B1-3	Port akumulátorového bloku	B2-1	Šroub
B2-2	Podložka	B2-3	Matice
B2-4	Kabelová zástrčka	B2-5	Kabelová zásuvka

#### PŘIPOJENÍ NÁSTAVCE NA POHONNOU HLAVU

**VAROVÁNÍ:** Přečtěte si a pochopte celou příručku pro každý volitelný nástavec použitý s touto pohonnou hlavou a dodržujte veškerá varování a pokyny. Nedodržení pokynů může mít za následek úraz elektrickým proudem, požár anebo vážná poranění osob.

**VAROVÁNÍ:** Tato 56 V pohonná hlava PHA7400E je navržena pro používání pouze s nástavcovými modely EGO, které jsou uvedeny v příručce nebo následně zavedeny společností EGO pro použití s touto pohonnou hlavou. Použití jiných, neautorizovaných nástavců může způsobit vážné zranění osob nebo poškození majetku.

**VAROVÁNÍ:** Nikdy neinstalujte, neodstraňujte, nebo neupravujte nástavec, když pohonná hlava běží nebo s nainstalovaným akumulátorem. Pokud nezastavíte motor a nevyjmete akumulátor, může dojít k vážnému zranění.

**NIKDY NEPROVOZUJTE POHONNOU HLAVU BEZ NÁSTAVCE.**

## OBSLUHA

### INSTALACE/VYJMUTÍ AKUMULÁTORU

Používejte pouze EGO akumulátory a nabíječky uvedené na obr. A2.

Před prvním použitím akumulátor plně nabijte.

#### Instalace

Srovnejte žebrovaní akumulátoru s instalačními drážkami a zatlačte na akumulátor, dokud neuslyšíte „cvaknutí“ (obr. C1).

#### Vyjmutí

Stiskněte tlačítko pro uvolnění akumulátoru a vytáhněte jej (obr. C2).

C1-1	Instalační otvor	C1-2	Výstupek
C2-1	Tlačítko pro uvolnění akumulátoru		

#### SPUŠTĚNÍ/ZASTAVENÍ POHONNÉ HLAVY (Obr. D)

- **Chcete-li pohonnou hlavu zapnout,** stiskněte a podržte blokovací tlačítko a poté stiskněte spouštěcí spínač s nastavením rychlosti. Uvolněte blokovací tlačítko a pokračujte ve stisknutí spínače, abyste mohli pokračovat v provozu.

**POZNÁMKA:** Spouštěcí spínač s nastavením rychlosti poskytuje vyšší rychlost se zvýšeným přitlakem na spínač a nižší rychlost se sníženým přitlakem na spínač.

- **Chcete-li pohonnou hlavu vypnout,** uvolněte spínač a nechte šnekový vrták úplně zastavit.

D-1	Blokovací tlačítko	D-2	Spouštěcí spínač s nastavením rychlosti
-----	--------------------	-----	---

**CZ**

#### VOLBA SMĚRU A RYCHLOSTI OTÁČENÍ (Obr. E)

Pravou rukou držte pravou rukojeť.

- Zatlačením voliče do polohy „2“ aktivujete otáčení vpřed vysokou rychlostí.
- Zatlačením voliče do polohy „1“ aktivujete otáčení vpřed při nízkých otáčkách.
- Zatlačením voliče do polohy „R“ aktivujete zpětný chod.

**POZNÁMKA:** Přepínání směru otáčení mezi dopředným a zpětným chodem je možné pouze tehdy, když je pohonná hlava zastavena.

**POZNÁMKA:** Nastavení dopředné rychlosti lze provést kdykoli, bez ohledu na to, zda je pohonná hlava spuštěna nebo zastavena.

E-1	Volba směru otáčení / rychlosti
-----	---------------------------------

## KONTROLKA STAVU

Pohonná hlava šneku je vybavena LED kontrolkou stavu, která zobrazuje pracovní stav stroje. LED kontrolka se rozsvítí pouze tehdy, když je pohonná hlava spuštěna.

LED STAVOVÁ KONTROLKA	PRACOVNÍ STAV	AKCE
Svítilící zelená	Pohonná hlava funguje správně.	Normální provoz. Není třeba přijímat žádná opatření.
Svítilící červená	Pohonná hlava je přetížená.	Uvolněte spoušť, zvedněte šnek z otvoru a zkontrolujte příčiny přetížení. Pokud se stroj zastaví kvůli velké překážce, může být nutné najít jiné místo pro vrtání. Pokud se problém nepodaří vyřešit, obraťte se na zákaznický servis společnosti EGO a požádejte o opravu.
	Pohonná hlava je příliš studená.	Uvolněte spínač. Přeneste šnek do místnosti, aby se zahřál.
Svítilící oranžová	Ochrana proti zpětnému rázu.	Uvolněte spínač a zvedněte šnek z otvoru. Znovu spusťte šnek a opatrně jej spusťte zpět do otvoru.
Blikající červená	Akumulátor je téměř vybitý.	Nabijte akumulátor.
Blikající oranžová	Pohonná hlava je přehřátá.	Zastavte šnek a počkejte nějakou dobu, než šnek vychladne.
Střídavě blikající zelená a červená.	Porucha komunikace.	Kontaktujte zákaznický servis EGO a požádejte o opravu.
Žádné světlo.	Pokud LED kontrolka na jednom nebo obou akumulátorech bliká oranžově nebo svítí červeně, je akumulátor přehřátý.	Nechte akumulátor vychladnout a znovu šnek spusťte.
	Jiná chyba elektroniky.	Kontaktujte zákaznický servis EGO a požádejte o opravu.

CZ

## ÚDRŽBA

**VAROVÁNÍ:** Před servisem, čištěním, výměnou nástavců nebo odstraněním materiálu vyjměte akumulátor z výrobku, aby nedošlo k vážnému úrazu.

### CELKOVÁ ÚDRŽBA

K čištění plastových dílů nepoužívejte rozpouštědla. Většina plastů je náchylná k poškození různými typy komerčních rozpouštědel a jejich použití je může poškodit. K odstranění nečistot, prachu, oleje, maziva atd. použijte čistý hadr.

**VAROVÁNÍ:** Nikdy nedovolte, aby došlo ke styku plastových částí s brzdovými kapalinami, benzinem, ropnými produkty, penetračními oleji atd. Chemické látky mohou poškodit, zeslabit nebo poškodit plast, což může vést k vážnému úrazu.

## SKLADOVÁNÍ POHONNÉ HLAVY

1. Vyjměte akumulátor z pohonné hlavy.
2. Před uskladněním pohonnou jednotku řádně vyčistěte.
3. Pohonnou hlavu skladujte na suchém, dobře větraném, uzamčeném nebo vyvýšeném místě mimo dosah dětí. Neskloďte ji v blízkosti hnojiv, benzínu nebo jiných chemikálií.

## OCHRANA ŽIVOTNÍHO PROSTŘEDÍ



Elektrické zařízení, použité akumulátory a nabíječku nevhazujte do domovního odpadu! Tento výrobek předejte autorizované recyklační společnosti ke tříděnému sběru. Elektrické nářadí musí být vráceno do zařízení pro ekologickou recyklaci.





---

## ODSTRAŇOVÁNÍ ZÁVAD

Viz příslušný návod nástavce.

## ZÁRUKA

### ZÁRUČNÍ PODMÍNKY SPOLEČNOSTI EGO

Úplné záruční podmínky společnosti EGO naleznete na webové stránce [egopowerplus.eu](http://egopowerplus.eu).

CZ

## PREČÍTAJTE SI VŠETKY POKYNY!



PREČÍTAJTE SI NÁVOD NA OBSLUHU

**VAROVANIE:** Pre zaistenie bezpečnosti a spoľahlivosti je nevyhnutné, aby všetky opravy vykonával len kvalifikovaný servisný technik.

## BEZPEČNOSTNÝ SYMBOL

Účelom bezpečnostných symbolov je upozorniť na možné nebezpečenstvá. Venujte príslušnú pozornosť a pochopte bezpečnostné symboly a ich vysvetlenia. Varovné symboly, samy o sebe, nedokážu eliminovať nebezpečenstvo. Pokyny a varovania, ktoré obsahujú, nie sú náhradou za vhodné opatrenia na prevenciu úrazov.

**VAROVANIE:** Pred použitím tohto stroja si nezabudnite prečítať všetky bezpečnostné pokyny v tomto návode na obsluhu, vrátane všetkých bezpečnostných výstražných symbolov, ako sú „**NEBEZPEČENSTVO**“, „**VAROVANIE**“ a „**UPOZORNENIE**“. Nedodržanie nižšie uvedených pokynov môže mať za následok úraz elektrickým prúdom, požiar a/alebo vážne zranenie.

## BEZPEČNOSTNÉ POKYNY

Táto strana zobrazuje a popisuje bezpečnostné symboly, ktoré sa objavujú na tomto výrobku. Pred pokusom o zostavenie a prevádzkovanie si prečítajte, pochopte a dodržiavajte všetky pokyny na stroji.

SK



Bezpečnostné upozornenie



Používateľ si musí prečítať návod na obsluhu, aby znížil riziko úrazu.



Používajte ochranu sluchu



Používajte ochranu zraku



Odpadové elektrické výrobky sa nesmú likvidovať spolu s domovým odpadom. Odovzdajte do autorizovaného recyklačného strediska.



Tento výrobok je v súlade s platnými smernicami ES.



Jednosmerný prúd



Posúdenie zhody v Spojenom kráľovstve

V Napätie

kg Kilogram

IPX4 Ochrana pred striekajúcou vodou

# VŠEOBECNÉ BEZPEČNOSTNÉ UPOZORNENIA TÝKAJÚCE SA STROJA

**⚠ VAROVANIE:** Prečítajte si všetky bezpečnostné varovania, pokyny, ilustrácie a špecifikácie dodané s týmto strojom. Nedodržanie nižšie uvedených pokynov môže mať za následok úraz elektrickým prúdom, požiar a/alebo vážne zranenie.

Všetky varovania a pokyny si ponechajte pre prípadnú potrebu v budúcnosti.

## BEZPEČNOSŤ PRACOVNÉHO PRIESTORU

- Udržujte pracovný priestor čistý a dobre osvetlený. Neporiadok alebo tmavé miesta spôsobujú nehody.
- **Nepoužívajte stroje vo výbušnom prostredí, napríklad prítomnosti horľavých kvapalín, benzínu alebo prachu.** Stroje vytvárajú iskry, ktoré môžu zapáliť prach alebo výpary.
- Pri používaní stroja udržiavajte deti a okolostojace osoby mimo pracoviska. Rozptyľovanie pozornosti môže viesť ku strate kontroly.

## ELEKTRICKÁ BEZPEČNOSŤ

- Zástrčka stroja musí zodpovedať elektrickej zásuvke. Nikdy a žiadnym spôsobom nemodifikujte zástrčku. Nepoužívajte žiadne rozbočovacie zástrčky s uzemneným strojom. Neupravené zástrčky a vhodné zásuvky obmedzia nebezpečenstvo úrazu elektrickým prúdom.
- Zabráňte kontaktu tela s uzemnenými povrchmi, ako sú rúry, radiátory, sporáky a chladničky. Dochádza k zvýšeniu rizika úrazu elektrickým prúdom, ak je vaše telo uzemnené.
- **Nevystavujte stroje dažďu alebo mokru.** Voda vniknutá do stroja zvyšuje riziko úrazu elektrickým prúdom.
- **Nepoužívajte kábel nesprávnym spôsobom.** Nikdy nepoužívajte kábel na nosenie, ťhanie alebo odpájanie stroja. Udržujte kábel v dostatočnej vzdialenosti od zdrojov tepla, oleja, ostrých hrán alebo pohyblivých častí. Poškodená alebo zamotaná šnúra zvyšuje riziko zasiahnutia elektrickým prúdom.
- **Ak sa chystáte stroj použiť v exteriéroch, použite výhradne predĺžovaciu šnúru vhodnú na použitie v exteriéroch.** Použitie šnúry vhodnej pre použitie v exteriéroch znižuje riziko úrazu elektrickým prúdom.

- **Ak je používanie stroja vo vlhkom prostredí nevyhnutné, použite napájanie chránené prerušovačom obvodu uzemnenia (GFCI).** Použitie GFCI znižuje riziko úrazu elektrickým prúdom.

## OSOBNÁ BEZPEČNOSŤ

- **Buďte pozorní, sledujte to, čo robíte a používajte zdravý rozum pri práci so strojom.** Nepoužívajte stroj, ak ste unavení alebo pod vplyvom drog, alkoholu alebo liekov. Chvilková nepozornosť pri práci so strojom môže mať za následok vážne zranenie.
- **Používajte osobné ochranné pomôcky.** Vždy používajte ochranu očí. Ochranné prostriedky ako respirátor, protišmyková bezpečnostná obuv, prilba alebo chrániče sluchu použité za vhodných podmienok znižujú nebezpečenstvo zranenia.
- **Zabráňte neúmyselnému uvedeniu do prevádzky.** Pred pripojením k zdroju napájania a/alebo akumulátoru, pri zdvíhaní alebo prenášaní stroja sa uistite, že spínač je vo vypnutej polohe. Prenášanie strojov s prstom na spínači alebo zapínanie strojov, ktoré majú zapnutý spínač, nabáda k nehodám.
- **Pred spustením stroja vždy odstráňte nastavovací kľúč alebo náradie.** Kľúč alebo náradie, ktoré necháte pripravené k otáčajúcej sa časti stroja, môže spôsobiť zranenie osôb.
- **Nesiahajte príliš vysoko.** Pri práci vždy dodržujte správny postoj a rovnováhu. To umožňuje lepšiu ovládateľnosť stroja v nečakaných situáciách.
- **Noste vhodné oblečenie.** Nenoste šperky alebo voľný odev. Udržujte vlasy a oblečenie mimo dosah pohyblivých častí. Voľný odev, šperky alebo dlhé vlasy môžu byť zachytené pohyblivými časťami dielmi.
- **Pokiaľ je náradie vybavené zariadením na zachytávanie prachu a úlomkov materiálu, skontrolujte, či je k náradiu správne pripojené.** Použitie odsávania prachu môže znížiť nebezpečenstvo, ktoré súvisí s prachom.
- **Nedovoľte, aby ste sa po získaní skúseností častým používaním stroja stali neobzretnými a ignorovali zásady bezpečnosti.** Nedbalá činnosť môže spôsobiť vážne zranenie za zlomok sekundy.

SK

## POUŽÍVANIE STROJA A STAROSTLIVOSŤ

- **Netlačte na stroj silou.** Použite správny stroj pre vašu prácu. Stroj bude pracovať lepšie a bezpečnejšie pri rýchlosti, na ktorú bol navrhnutý.
- **Stroj nepoužívajte, ak ho spínač nezapína a nevyypína.** Každý stroj, ktorý sa nedá ovládať spínačom, je nebezpečný a musí sa opraviť.

- **Pred akýmikoľvek úpravami, výmenou príslušenstva alebo uskladnením stroja odpojte zástrčku od zdroja napájania a/alebo vyberte zo stroja akumulátor, ak je odpojiteľný.** Takéto preventívne bezpečnostné opatrenia znižujú riziko náhodného spustenia stroja.
- **Nečinný stroj skladujte mimo dosahu detí a nedovoľte osobám, ktoré nie sú oboznámené so strojom alebo s týmto návodom, aby stroj obsluhovali.** Stroje sú v rukách nevyškolených používateľov nebezpečné.
- **Vykonávajte údržbu strojov a príslušenstva. Kontrolujte nastavenie pohyblivých častí, poškodenie dielov a akékoľvek ďalšie okolnosti, ktoré môžu mať vplyv na funkciu stroja. Ak je poškodený, nechajte ho pred použitím opraviť.** Veľa úrazov je zapríčinených zle udržiavanými strojmi.
- **Udržujte rezacie stroje ostré a čisté.** Starostlivo ošetrované rezacie stroje s ostrými čepeľami menej pravdepodobne uviaznu a jednoduchšie sa ovládajú.
- **Používajte stroj, príslušenstvo, nadstavce apod. podľa týchto pokynov a rešpektujte pritom pracovné podmienky a vykonávanú činnosť.** Použitie stroja na iné ako určené účely môže viesť k nebezpečným situáciám.
- **Udržujte rukoväte a uchopovacie plochy suché, čisté, bez oleja a maziva.** Klzké držadlá a uchopovacie plochy neumožňujú bezpečnú manipuláciu so strojom a jeho ovládanie v nečakaných situáciách.

SK

## POUŽÍVANIE A STAROSTLIVOSŤ O AKUMULÁTOROVÝ STROJ

- **Nabíjajte iba nabíjačkou určenou výrobcom.** Nabíjačka, ktorá je vhodná pre jeden typ akumulátora, môže predstavovať pri nabíjaní iného typu akumulátora nebezpečenstvo.
- **Používajte stroje a s výslovné určenými akumulátormi.** Použitie iných typov akumulátorov môže spôsobiť riziko úrazu a požiaru.
- **Ak sa akumulátor nepoužíva, držte ho mimo iných kovových predmetov, ako sú sponky, mince, kľúče, klince, skrutkovače alebo iné malé kovové predmety, ktoré by mohli navzájom prepojiť kontakty akumulátora.** Skratovanie kontaktov akumulátora môže spôsobiť popáleniny alebo požiar.
- **Za nevhodných podmienok môže z akumulátora uniknúť kvapalina; zabráňte kontaktu.** Pri náhodnom kontakte opláchnite vodou. Pri zasiahnutí očí vyhľadajte lekársku pomoc. Unikajúca kvapalina z akumulátora môže spôsobiť podráždenie pokožky alebo popáleniny.

- **Nepoužívajte akumulátor alebo stroj, ktoré sú poškodené alebo upravené.** Poškodené alebo upravené akumulátory môžu mať nepredvídateľné chovanie, ktoré môže viesť k požiaru, výbuchu alebo nebezpečenstvu poranenia.
- **Nevystavujte akumulátor ani stroj ohňu alebo nadmernej teplote.** Pri vystavení ohňu alebo teplote nad 130 °C môže dôjsť k výbuchu.
- **Dodržujte všetky pokyny pre nabíjanie a nenabíjajte akumulátor alebo stroj mimo teplotného rozsahu uvedeného v pokynoch.** Nesprávne nabíjanie alebo nabíjanie pri teplotách mimo stanovený rozsah môže poškodiť akumulátor a zvýšiť riziko požiaru.

## OPRAVA

- **Nechajte váš stroj opraviť kvalifikovanou osobou s použitím iba identických náhradných dielov.** Tým sa zabezpečí, že bezpečnosť stroja zostane zachovaná.
- **Nikdy neopravujte poškodené akumulátory.** Servis akumulátorov smie robiť iba výrobca alebo autorizovaní servisní poskytovatelia.

## BEZPEČNOSTNÉ UPOZORNENIA PRE POHONNÚ HLAVU

- **Táto pohonná hlava PHA7400E môže byť použitá iba s nasledujúcimi EGO prídavnými zariadeniami alebo následne zavedenými spoločnosťou EGO na použitie s touto pohonnou hlavou:**

TYP NÁSTAVCA	ČÍSLO MODELU
Zemný vrták	ETA0800E
Vrták do ľadu	ITA0800E

- **Ak sú šneky prasknuté, ohnuté alebo akokoľvek poškodené, vymeňte ich.** Prevádzka stroja s poškodeným šnekom môže mať za následok vážne poranenie.
- **Nikdy nepoužívajte šnek s rukovätami nad úroveň pásu.** To obmedzuje ovládanie šneku a môže zvýšiť riziko poranenia.
- **Stroj držte oboma rukami za určené rukoväte.** Strata kontroly môže spôsobiť zranenie osôb.
- **Pri vykonávaní operácií, pri ktorých by sa vrtacie príslušenstvo mohlo dotknúť skrytého elektrického vedenia, držte stroj za izolované uchopovacie povrchy.** Vrtacie príslušenstvo, ktoré prišlo do kontaktu s vedením pod elektrickým prúdom, môže nabiť kovové časti stroja a spôsobiť používateľovi úraz elektrickým prúdom.

- **Aby ste znížili riziko úrazu elektrickým prúdom, nikdy nepoužívajte šnek v blízkosti zakopaných elektrických káblov.** Kontakt so zakopanými elektrickými káblami alebo používanie v ich blízkosti môže spôsobiť vážne zranenie alebo úraz elektrickým prúdom s následkom smrti.
- **Stroj vždy spúšťajte pri nízkych otáčkach a s hrotom šnekového vrtáka v kontakte so zemou.** Pri vyšších rýchlostiach sa vrták pravdepodobne ohne, ak sa nechá voľne otáčať bez kontaktu so zemou, čo má za následok zranenie osôb.
- **Tlačte iba v priamej línii s vrtákom a nevyvíjajte nadmerný tlak.** Vrtáky sa môžu ohnúť a spôsobiť zlomenie alebo stratu kontroly, čo môže viesť k zraneniu osôb.
- **Vždy sa uistite, že máte pevný postoj.** Pri používaní stroja vo vysokých polohách sa uistite, že sa nikto nenachádza pod ním.
- **Stroj držte pevne.**
- **Udržujte ruky mimo rotujúcich častí.**
- **Nenechávajte stroj v prevádzke.** Stroj obsluhujte len ručne.
- **Nedotýkajte sa šnekového vrtáka bezprostredne po ukončení práce.** Môže byť veľmi horúci a mohol by vám popáliť pokožku.
- **Ak niečo nie je v poriadku so strojom, napríklad neobvyklé zvuky, okamžite zastavte prevádzku a obráťte sa na miestne servisné stredisko, ktoré vám zabezpečí opravu.**
- **Aby ste znížili riziko výbuchu, nikdy nepoužívajte šnek v blízkosti akýchkoľvek zakopaných plynových vedení vrátane vodovodných potrubí a rúr.** Kontakt so zakopaným vodovodným alebo plynovým potrubím alebo používanie v jeho blízkosti môže spôsobiť prasknutie vodovodného potrubia a výbuch plynového potrubia, čo môže spôsobiť vážne zranenia alebo smrť.
- **Nikdy nepracujte pri vyšších otáčkach, než je maximálna menovitá rýchlosť zemného vrtáka.** Pri vyšších rýchlostiach sa vrták pravdepodobne ohne, ak sa nechá voľne otáčať bez kontaktu s obrobkom, čo má za následok zranenie osôb.
- **Akumulátorové stroje nemusia byť zapojené do elektrickej zásuvky; preto sú vždy v prevádzkovom stave. Buďte si vedomí možných rizík, aj keď sa náradie nepoužíva.** Buďte opatrní pri vykonávaní údržby alebo servisu.
- **Neumývajte s hadicou; zabráňte tomu, aby sa voda dostala do motora a elektrických pripojok.**

- **Čepele na ľad sú veľmi ostré.** Pri vrtaní otvoru alebo výmene čepelí postupujte mimoriadne opatrne. Po každom použití nasadte ochranný kryt čepele.
- **Často kontrolujte a uistite sa, že je poistná skrutka zaistená na svojom mieste.**

**ODLOŽTE SI TIETO POKYNY.** Často na ne odkazujte a používajte ich na poučenie ostatných, ktorí môžu tento stroj používať. Ak niekomu požičiate tento stroj, odovzdajte mu aj tieto pokyny, aby sa zabránilo zneužitiu výrobku a prípadnému zraneniu.

## TECHNICKÉ ÚDAJE

Napätie	56 V	
Krútiaci moment	74 Nm	
Otáčky bez zaťaženia (n <sub>0</sub> )	Dopredu	Nízka: 0-150/min Vysoká: 0-210/min
	Cúvanie	100/min
Hmotnosť (bez akumulátora)	10,2 kg	

## OBSAH BALENIA (OBR. A1)

### POPIS

#### SPOZNAJTE VAŠU POHONNÚ HLAVU (Obr. A1)

1. Ľavá rukoväť
2. Pravá rukoväť
3. Volič smeru otáčania/rýchlosti
4. Zaisťovacie tlačidlo
5. Spínač nastavenia premenlivej rýchlosti
6. Tlačidlo uvoľnenia akumulátora
7. LED kontrolka
8. Pohonná hlava
9. Port pre akumulátor
10. Nástrčkový kľúč (10 mm)
11. Imbusový kľúč (5 mm)

## MONTÁŽ

### INŠTALÁCIA RUKOVÄTI

1. S portom akumulátora otočeným dozadu zasuňte rúrky pravej a ľavej rukoväte do zakrivených otvorov na základni pohonnej hlavy (obr. B1).
2. Zarovnajte dva otvory v každej rúrke rukoväte s dvoma otvormi v každej základni.

**POZNÁMKA:** Nesprávna pravá/ľavá inštalácia rukoväti zabráni zarovnaniu týchto otvorov.

3. Na pripevnenie rukoväti k pohonnej hlave použite 8 súprav skrutiek, podložiek a matic. Pomocou kľúča a 5 mm imbusového kľúča ich pevne utiahnite (obr. B2).
4. Zarovnajte šípku na kábli pravej rukoväte so šípkou na kábli pohonnej hlavy. Potom zasuňte zástrčku kábla pravej rukoväte do zásuvky kábla pohonnej hlavy. Pevne ich utiahnite (obr. B2).

**POZNÁMKA:** Aby ste zabránili poškodeniu kábla, počas montáže ho neohýbajte ani nekrúťte.

B1-1	Pravá rukoväť	B1-2	Ľavá rukoväť
B1-3	Port pre akumulátor	B2-1	Skrutka
B2-2	Podložka	B2-3	Matica
B2-4	Káblková zástrčka	B2-5	Zásuvka kábla

## PRIPOJENIE NÁSTAVCA NA Pohonnú Hlavu

**VAROVANIE:** Prečítajte si a pochopte celú príručku pre každý voliteľný nástavec použitý s touto pohonnou hlavou a dodržujte všetky varovania a pokyny. Nedodržanie všetkých uvedených pokynov môže mať za následok úraz elektrickým prúdom, požiar a/alebo vážne zranenie.

**VAROVANIE:** Táto 56 V pohonná hlava PHA7400E je navrhnutá pre používanie len s nástavcovými modelmi EGO, ktoré sú uvedené v príručke alebo následne zavedené spoločnosťou EGO na použitie s touto pohonnou hlavou. Použitie iných, neautorizovaných nástavcov môže spôsobiť vážne zranenie osôb alebo poškodenie majetku.

**VAROVANIE:** Nikdy neinštalujte, neodstraňujte, alebo neupravujte nástavec, keď pohonná hlava beží alebo s nainštalovaným akumulátorom. Neschopnosť zastaviť motor a vybrať akumulátor môže spôsobiť vážne zranenie. **NIKDY NEPOUŽÍVAJTE Pohonnú Hlavu BEZ NÁSTAVCA.**

## PREVÁDZKA

### PRIPOJENIE/ODPOJENIE AKUMULÁTORA

Používajte iba EGO akumulátory a nabíjačky uvedené na obr. A2.

**Pred prvým použitím úplne nabite.**

### Pripojenie

Zarovnajte výčnelky na akumulátore s montážnymi drážkami a zatlačte akumulátor nadol, kým nebudete počuť „cvaknutie“ (obr. C1).

### Odpojenie

Stlačte tlačidlo na uvoľnenie akumulátora a vytiahnite akumulátor (obr. C2).

C1-1	Montážny otvor	C1-2	Výstupok
C2-1	Tlačidlo uvoľnenia akumulátora		

### SPUSTENIE/ZASTAVENIE Pohonnej Hlavy (Obr. D)

- **Stlačte zaisťovacie tlačidlo**, potom zatlačte na spínač nastavenia premenlivej rýchlosti a zapnite pohonnú hlavu. Uvoľnite zaisťovacie tlačidlo a stále držte stlačený spínač pre pokračovanie v činnosti.

**POZNÁMKA:** Spínač s nastavením premenlivej rýchlosti poskytuje vyššiu rýchlosť so zvýšeným prítlakom na spínač a nižšiu rýchlosť so zníženým prítlakom na spínač.

- **Ak chcete pohonnú hlavu zastaviť**, uvoľnite spínač a nechajte zemný vrták úplne zastaviť.

D-1	Zaisťovacie tlačidlo	D-2	Spínač nastavenia premenlivej rýchlosti
-----	----------------------	-----	---

### VÝBER SMERU ROTÁCIE A RÝCHLOSTI (Obr. E)

Pravú rukoväť držte pravou rukou.

- Ak chcete aktivovať otáčanie dopredu vysokou rýchlosťou, zatlačte volič do polohy „2“.
- Stlačením voliča do polohy „1“ aktivujete otáčanie dopredu pri nízkych otáčkach.
- Ak chcete aktivovať spätné otáčanie, zatlačte volič do polohy „R“.

**POZNÁMKA:** Prepínanie smeru otáčania medzi pohybom dopredu a dozadu je možné len vtedy, keď je pohonná hlava zastavená.

**POZNÁMKA:** Nastavenie rýchlosti vpred je možné vykonať kedykoľvek, bez ohľadu na to, či je pohonná hlava spustená alebo zastavená.

E-1	Volič smeru otáčania / rýchlosti
-----	----------------------------------

## KONTROLKA STAVU

Pohonná hlava šneku je vybavená LED kontrolkou stavu, ktorá zobrazuje pracovný stav stroja. LED kontrolka sa rozsvieti iba vtedy, keď je pohonná hlava spustená.

LED STAVOVÁ KONTROLKA	PRACOVNÝ STAV	AKCIA
Svietiaca zelená	Pohonná hlava funguje správne.	Normálna prevádzka. Nie je potrebná žiadna akcia.
Svietiaca červená	Pohonná hlava je preťažená.	Uvoľnite spúšť, zdvihnite šnek z otvoru a skontrolujte príčiny preťaženia. Ak veľká prekážka spôsobila zastavenie stroja, možno budete musieť nájsť iné miesto na vŕtanie. Ak sa problém nepodarí vyriešiť, obráťte sa na zákaznícky servis spoločnosti EGO a požiadajte o opravu.
	Pohonná hlava je príliš studená.	Uvoľnite spínač. Preneste šnek do interiéru, aby sa zahrial.
Svietiaca oranžová	Ochrana proti spätnému rázu.	Uvoľnite spúšť a zdvihnite šnek z otvoru. Znovu spustíte šnek a opatrne ho spustíte späť do otvoru.
Blikajúca červená	Akumulátor je takmer vybitý.	Nabíte akumulátor.
Blikajúca oranžová	Pohonná hlava je prehriata.	Zastavte šnek a počkajte nejaký čas, kým šnek vychladne.
Striedavo bliká červená a zelená.	Komunikačná chyba.	Pre opravu kontaktujte zákaznícky servis EGO.
Žiadne svetlo.	Ak LED kontrolka na akumulátore bliká na oranžovo alebo svieti na červeno, akumulátor je prehriaty.	Nechajte akumulátor vychladnúť a znova spustíte šnek.
	Iná chyba elektroniky.	Pre opravu kontaktujte zákaznícky servis EGO.

SK

## ÚDRŽBA

**VAROVANIE:** Aby nedošlo k vážnemu zraneniu, tak pred vykonávaním údržby, čistením, výmenou príslušenstva alebo odstraňovaním materiálu z výrobu vyberte akumulátor z náradia.

### VŠEOBECNÁ ÚDRŽBA

Na čistenie plastových dielov nepoužívajte rozpúšťadlá. Väčšina plastov je náchylná na poškodenie rôznymi typmi komerčných rozpúšťadiel a môžu sa poškodiť, ak sa rozpúšťadlá použijú. Použite čistú handru na odstránenie nečistôt, prachu, oleja, maziva, atď.

**VAROVANIE:** Nikdy nedovoľte, aby sa brzdové kvapaliny, benzín, ropné výrobky, penetračné oleje atď. dostali do kontaktu s plastovými časťami. Chemické látky môžu poškodiť, oslabiť alebo zničiť plast, čo môže viesť k vážnemu zraneniu.

### SKLADOVANIE POHONNEJ HLAVY

1. Vyberte akumulátor z pohonnej hlavy.
2. Pred uskladnením pohonnú hlavu dôkladne vyčistite.
3. Pohonnú hlavu skladujte na suchom, dobre vetranom mieste, uzamknutú alebo vysoko, mimo dosahu detí. Pohonnú hlavu neskladujte v blízkosti hnojív, benzínu alebo iných chemikálií.

### OCHRANA ŽIVOTNÉHO PROSTREDIA



Nevyhadzujte elektrické zariadenia, nabíjačku a použité akumulátory do domového odpadu! Tento výrobok odnesť na autorizované recyklačné miesto a poskytnite ho na separovaný zber. Elektrické náradie sa musí odovzdať do ekologického recyklačného zariadenia.



## ODSTRAŇOVANIE PORÚCH

Pozrite si príslušný návod pre nástavec.

## ZÁRUKA

### ZÁRUČNÁ POLITIKA EGO

Úplné znenie záručných podmienok EGO nájdete na webovej stránke [egopowerplus.eu](http://egopowerplus.eu).

**SK**



## OLVASSA EL AZ ÖSSZES UTASÍTÁST!



OLVASSA EL A HASZNÁLATI ÚTMUTATÓT

**▲ FIGYELMEZTETÉS:** A biztonságosság és megbízhatóság biztosítása érdekében minden javítást szakképzett szerviztechnikusnak kell elvégeznie.

## BIZTONSÁGI SZIMBÓLUM

A biztonsági szimbólumok célja, hogy felhívják a figyelmet az esetleges veszélyekre. Nagyon figyeljen a biztonsági szimbólumokra és magyarázatokra, ill. ezek megértésére. A szimbólumok figyelmeztetési önmagukban nem hártják el a veszélyeket. Az utasítások és figyelmeztetések nem helyettesítik a megfelelő balesetmegelőző intézkedéseket.

**▲ FIGYELMEZTETÉS:** A gép használata előtt feltétlenül olvassa el és értse meg a jelen kezelési útmutatóban található valamennyi biztonsági utasítást, valamint a „VESZÉLY”, „FIGYELMEZTETÉS” és „FIGYELEM” biztonsági figyelmeztető szimbólumokat is. Az alább felsorolt utasítások be nem tartása áramütést, tűzveszélyt és/vagy súlyos személyi sérülést idézhet elő.

## BIZTONSÁGI ELŐÍRÁSOK

Ezen az oldalon olyan biztonsági szimbólumok láthatók és olvashatók, amelyek megjelenhetnek a terméken. Az összeszerelés vagy működtetés előtt olvassa el, értse meg és tartsa be a gép minden utasítását.



Biztonsági figyelmeztetés



A sérülések kockázatának csökkentése érdekében a használatnak el kell olvasnia a használati útmutatót.



Viseljen fülvédőt



Viseljen szemvédőt



Az elhasznált elektromos termékek nem helyezhetők a háztartási hulladékok közé. Vigye hivatalos újrahasznosító telephelyre.



A termék megfelel az érvényes EK irányelveknek.



Egyenáram



Az Egyesült Királyság szerinti megfelelőségértékelve

V Feszültség

kg Kilogramm

IPX4 Fröccsenő víz elleni védelem

HU

## ÁLTALÁNOS GÉPBIZTONSÁGI FIGYELMEZTETÉSEK

**▲ FIGYELMEZTETÉS:** Olvassa el a szerszámhoz mellékelt összes biztonsági figyelmeztetést, utasítást, illusztrációt és specifikációt. Az alább felsorolt utasítások be nem tartása áramütést, tűzveszélyt és/vagy súlyos sérülést idézhet elő.

Őrizzen meg minden figyelmeztetést és utasítást, hogy később is elő tudja majd venni.

### A MUNKATERÜLET BIZTONSÁGA

- **Tartsa tisztán és világítsa meg jól a munkaterületet.** A munkaterületen uralkodó rendtelenségnek vagy a rossz megvilágításnak baleset lehet a következménye.
- **Ne használja a gépet robbanásveszélyes környezetben, például olyan helyen, ahol éghető folyadékok, benzin vagy porok vannak jelen.** A szerszám szikrákat képez, amelyek meggyújthatják a port vagy gázt.
- **Tartsa távol a gyermekeket és a közelben tartózkodó személyeket, amikor a szerszámmal dolgozik.** Ha megzavarják, elveszítheti uralmát a készülék felett.

HU

### ELEKTROMOS BIZTONSÁG

- **A szerszám csatlakozóinak illeszkedniük kell az aljzathoz. Soha és semmiképpen se módosítsa a csatlakozódugót. Ne használjon adapteres csatlakozódugókat a (földelt) szerszámokhoz.** Az eredeti csatlakozódugó és megfelelő hálózati aljzat alkalmazásával megelőzi az áramütés veszélyét.
- **Kerülje el földelt felületek, pl. csövek, fűtőtestek, tűzhelyek vagy hűtőszekrények érintését.** Az áramütés kockázata nagyobb, ha a teste le van földelve.
- **Ne tegye ki a szerszámot esőnek vagy nedves körülményeknek.** A gépbe jutó víz növeli az áramütés kockázatát.
- **Ne használja helytelen módon a hálózati vezetékét. Soha ne a vezetéknel fogva hordozza, húzza, vagy válassza le a szerszámot. Tartsa távol a vezetékét hőtől, olajtól, éles szegélyektől és mozgó alkatrészekről.** A sérült vagy összegabalyodott hálózati kábelek megnövelik az áramütés veszélyét.
- **A szerszám szabadtéri üzemeltetéséhez használjon szabadtéren használható hosszabbító kábelt.** A szabadtéren használható kábel alkalmazása csökkenti az áramütés kockázatát.

- **Ha a gép nedves helyen történő üzemeltetése elkerülhetetlen, használjon földi megszakítóval védett tápegységet.** A GFCI használata csökkenti az áramütés veszélyét.

### SZEMÉLYES BIZTONSÁG

- **Legyen éber, ügyeljen rá, mit csinál, és járjon el a józanul a szerszám használatá során. Ne használja a szerszámot, ha fáradtnak érzi magát, vagy ha kábítószert, alkohol vagy gyógyszerek hatása alatt áll.** A szerszámok üzemeltetése közben egy pillanatnyi figyelmetlenség is súlyos személyi sérülést okozhat.
- **Használjon egyéni védőfelszerelést. Mindig viseljen védőszemüveget.** A védőfelszerelések – mint például porvédő maszk, csúszásmentes lábbeli, sisak és hallásvédő – rendeltetésszerű használata révén elkerüli a személyi sérüléseket.
- **Akadályozza meg a véletlen indítást. Ügyeljen arra, hogy a kapcsoló kikapcsolt állásban legyen, mielőtt az áramforráshoz és/vagy az akkumulátoregységhez csatlakoztatja, felveszi vagy viszi a szerszámot.** Balesethez vezethet, ha a hálózatra csatlakoztatott szerszámot úgy viszi, vagy a hálózati csatlakozódugót úgy csatlakoztatja az aljzathoz, hogy közben az ujjja a bekapcsoló gombon van.
- **A szerszám bekapcsolása előtt távolítson el minden beállító kulcsot vagy csavarkulcsot.** Személyi sérülést okozhat, ha a szerszámban felejtett csavarkulcs vagy beállító kulcs forgó alkatrészhez ér.
- **Ne hajoljon a készülék fölé. Vegyen fel stabil testhelyzetet, és mindig tartsa meg az egyensúlyát.** Ez lehetővé teszi a szerszám jobb irányítását váratlan helyzetekben.
- **Viseljen megfelelő ruházatot. Ne hordjon laza, bő ruhát, és ne viseljen ékszert. A haj és a ruházat ne érjen a mozgó részekhez.** A laza ruházatot, az ékszert vagy a hosszú haját becsíphetik a mozgó alkatrészek.
- **Ha a szerszámot poreszívó vagy porfelfogó eszközzel szerelik fel, győződjön meg arról, hogy ezek előírászerűen vannak-e csatlakoztatva, és használja őket a rendeltetésüknek megfelelően.** Porgyűjtő használata csökkentheti a porral járó veszélyeket.
- **Ne hagyja, hogy a rendszeres használat során megszerzett tapasztalat miatt túl magabiztossá váljon, és emiatt figyelmen kívül hagyja a biztonsági irányelveket.** Egy óvatlan cselekedet a másodperc töredéke alatt súlyos sérülést okozhat.

## A GÉP HASZNÁLATA ÉS GONDOZÁSA

- **Ne erőltesse a gépet. Használja az alkalmazásának megfelelő szerszámot.** A megfelelő szerszámmal jobban és biztonságosabban dolgozhat a megadott teljesítményhatárokon belül.
- **Ne használja a gépet, ha a kapcsoló nem kapcsolja be és ki.** Minden olyan gép, amelyet nem lehet a kapcsolóval vezérelni, veszélyes, és meg kell javítani.
- **Húzza ki a hálózati csatlakozó dugót az aljzatból és/ vagy, ha lehet, vegye ki az akkumulátoregységet az elektromos szerszámból, mielőtt beállításokat végezne, tartozékot cserélné vagy az elektromos szerszámot elrakná.** A megelőző biztonsági óvintézkedések csökkentik a szerszám véletlen beindításának kockázatát.
- **A használaton kívüli szerszámot tartsa gyermekek elől elzár helyen, és ne engedje, hogy olyanok használják a szerszámot, akik nem ismerik a szerszám veszélyt jelent, ha gyakorlatlan felhasználó kezébe kerül.**
- **Gépek és tartozékok karbantartása. Ellenőrizze a mozgó alkatrészek beállítását és rögzítését, vizsgáljon meg minden alkatrészt, hogy nem sérült-e, és ellenőrizze, nem állnak-e fenn olyan körülmények, amelyek befolyásolhatják a szerszám működését. Ha sérült, használat előtt javíttassa meg a szerszámot.** A rosszul karbantartott szerszám sok balesetet okoz.
- **Tartsa a vágószerszámokat éles, tiszta állapotban.** A megfelelően karbantartott és megélezett vágóélekkel rendelkező vágószerszámok kevésbé hajlamosak az elgömbülésre, valamint könnyebben kezelhetők.
- **A szerszámot, tartozékokat és szerszámfejeket stb. mindig a biztonsági utasításoknak megfelelően használja, figyelembe véve a munkakörülményeket és az elvégezni kívánt munkafolyamatot.** A szerszám rendeltetési céltól eltérő használata veszélyes helyzetet eredményezhet.
- **Tartsa szárazon, tisztán, olajtól és zsírtól mentesen a fogantyúkat és a tartófelületeket.** A csúszós fogantyúk és markolatok miatt a szerszám kezelése és vezérlése váratlan helyzetekben nem biztonságos.

## AZ AKKUMULÁTOROS GÉP HASZNÁLATA ÉS GONDOZÁSA

- **Csak a gyártó által meghatározott töltőt használja.** Az olyan töltő, amely egy típusú akkumulátoregységhez alkalmas, tűzveszélyt okozhat, ha más típusú akkumulátoregységhez használja.
- **A szerszámot csak a kifejezetten hozzá készült akkumulátoregységekkel használja.** Bármely más akkumulátoregység használata sérülés- vagy tűzveszélyt okozhat.
- **Amikor nem használja az akkumulátoregységet, tartsa távol más fémtárgyaktól, például gemkapcsoktól, érméktől, kulcsoktól, szögektől, csavaroktól vagy más kis fémtárgyaktól, amelyek kapcsolatba léphetnek vele.** Az akkumulátorok kapcsolatai rövidzárlata égési sérülést vagy tüzet okozhat.
- **Nem megfelelő körülmények között folyadék szivároghat az akkumulátorból; ügyeljen rá, hogy ne kerüljön érintkezésbe vele. Amennyiben véletlenül hozzáérne, mossa le vízzel. Ha ez a folyadék szembe kerül, forduljon orvoshoz is.** Az akkumulátorból kiszivárgó folyadék irritációt vagy égési sérülést okozhat.
- **Ne használjon sérült, módosított akkumulátoregységet vagy szerszámot.** A sérült vagy módosított akkumulátorok előre nem látható viselkedést válthatnak ki, amelynek eredménye tűz, robbanás vagy sérülésveszély lehet.
- **Ne tegye ki az akkumulátoregységet és a szerszámot tűznek vagy túl magas hőmérsékletnek.** Ha tűznek, vagy 130 °C feletti hőmérsékletnek teszi ki, akkor felrobbanhat.
- **Tartsa be a töltésre vonatkozó utasításokat, és ne töltsé az akkumulátoregységet vagy a szerszámot az utasításokban meghatározott hőmérséklet-tartományon kívül.** A nem megfelelő vagy a meghatározott hőmérséklet-tartományon kívüli töltés károsíthatja az akkumulátort, és növeli a tűzveszélyt.

## SZERVIZELÉS

- **A gépet szakképzett személlyel, eredeti cserealkatrész felhasználásával javíttassa meg.** Ezzel biztosítja a gép biztonságának fenntartását.
- **Soha ne szervizeljen sérült akkumulátoregységeket.** Az akkumulátoregységek szervizelését csak a gyártó vagy a felhatalmazott szerviz szolgáltató végezheti.

HU

## A MOTORFEJRE VONATKOZÓ BIZTONSÁGI FIGYELMEZTETÉSEK

- Ez a PHA7400E motorfej csak a következő EGO tartozékokkal, illetve az EGO utólag bevezetett, a motorfejhez való tartozékaival együtt használható:

ALKATRÉSZ TÍPUSA	MODELLSZÁM
Földfúró fej	ETA0800E
Jégfúró fej	ITA0800E

- **Cserélje ki a fúrót, ha megrepedt, elhajlott vagy bármilyen módon megsérült.** A gép sérült fúróval történő üzemeltetése súlyos sérülést okozhat.
- **Soha ne használja a fúrót úgy, hogy a fogantyúk derékmagasság felett vannak.** Ez korlátozza a fúró irányítását, és növelheti a sérülésveszélyt.
- **Tartsa a gépet mindkét kezével az e célra szolgáló fogantyúknál.** A szerszám feletti uralom elvesztése személyi sérüléseket okozhat.
- **A gépet a szigetelt tartófelületeknél fogva tartsa, amikor olyan műveletet végez, ahol a kotró munkaszerezék rejtett vezetéket érinthet.** A „feszültség alatti” vezetékkel érintkező kotró munkaszerezék „feszültség alá” helyezheti a gép burkolat nélküli fémrészeit, és a gépkezelő áramütést szenvedhet
- **Az áramütés veszélyének csökkentése érdekében soha ne használja a fúrót földbe fektetett elektromos vezetékek közelében.** A földbe fektetett elektromos vezetékekkel való érintkezés vagy azok közelében történő használat súlyos sérülést vagy halálos áramütést okozhat.
- **A gépet mindig alacsony fordulatszámon és úgy indítsa el, hogy a fúrófej csúcsa érintkezzen a talajjal.** Nagyobb sebességgel mellett a fej hajlamos elgömbülni, ha szabadon hagyják forogni a talajhoz történő hozzáérés nélkül, és így személyi sérülést okozhat.
- **Egyenes vonalban és ne túl nagy erővel gyakoroljon nyomást a fejre.** A fúrószárak elgömbülhetnek, ami a fúrószár töréséhez vagy a szerszám feletti kontroll elvesztéséhez vezethet, ez pedig személyes sérülést okozhat.
- **Mindig ügyeljen arra, hogy jól vesse meg a lábát.** Győződjön meg róla, hogy senki sincs alatta, amikor a gépet magas helyeken használja.

- **Tartsa erősen a gépet.**
- **Tartsa távol a kezét a forgó alkatrészekről.**
- **Ne hagyja a gépet járni.** A gépet csak kézben tartva működtesse.
- **Ne érintse meg a fúrófejet közvetlenül használat után.** Rendkívül forró lehet, és megégetheti a bőrét.
- **Ha valami baj van a géppel, például rendellenes hangokat ad ki, azonnal hagyja abba a használatát, és kérjen javítást helyi szervizközponttól.**
- **A robbanásveszély csökkentése érdekében soha ne használja a fúrót földbe fektetett gázvezetékek közelében, beleértve a vízvezetékeket és -csöveket is.** A földbe fektetett víz- vagy gázvezetékekkel való érintkezés vagy azok közelében történő használat a vízvezetékek felszakadását és a gázvezetékek robbanását eredményezheti, ami súlyos sérülést vagy halált okozhat.
- **Soha ne üzemeltesse a fúróhegy maximális fordulatszámánál nagyobb fordulatszámon.** Magasabb sebesség mellett a fej hajlamos elgömbülni, ha szabadon hagyják forogni a munkadarabhoz történő hozzáérés nélkül, ezzel személyi sérülést okozva.
- **Az akkumulátorral működő gépeket nem kell hálózati aljzathoz csatlakoztatni; ezért mindig működőképés állapotban vannak. Legyen tisztában a lehetséges veszélyekkel akkor is, ha a gép nem működik.** Legyen óvatos karbantartás és szervizelés közben.
- **Ne mossa tömlővel; ne kerüljön víz a motorba és az elektromos csatlakozásokba.**
- **A jégpengék nagyon élesek.** Lyuk fúrásakor vagy a kések cseréjekor fokozott óvatossággal járjon el. Minden használat után tegye fel a késvédőt.
- **Gyakran ellenőrizze és győződjön meg arról, hogy a rögzítőcsavar a helyén van-e rögzítve.**

**ŐRIZZE MEG EZT AZ ÚTMUTATÓT.** Időnként olvassa át, és használja, amikor másokat betanít a gép használatára. Ha valakinek kölcsön adja ezt a gépet, akkor adja át a használati utasítást is a helytelen használat és lehetséges sérülések elkerülése érdekében.

## JELLEMZŐK

Feszültség	56 V	
Nyomaték	74 Nm	
Üresjárat fordulatszám (n <sub>0</sub> )	Előre	Alacsony: 0–150/perc Magas: 0–210/perc
	Hátra	100/perc
Súly (akkumulátoregység nélkül)	10,2 kg	

## A CSOMAG TARTALMA (A1 ÁBRA)

### LEÍRÁS

#### A MOTORFEJ ISMERTETÉSE (A1 ábra)

- Bal oldali fogantyú
- Jobb oldali fogantyú
- Forgatási irány/sebességválasztó
- Reteselő gomb
- Állítható sebességszabályozó kapcsoló
- Akkumulátor kioldógomb
- LED kijelző
- Motorblokk
- Akkumulátortartó
- Dugókulcs (10 mm)
- Imbuszkulcs (5 mm)

## ÖSSZESZERELÉS

#### A FOGANTYÚK FELSZERELÉSE

- Az akkumulátortartót hátrafelé tartva illessze be a jobb és bal oldali fogantyú csöveit a motorfej talpának ívelt nyílásaiba (B1 ábra).

- Igazítsa a fogantyúcsöveken levő két-két lyukat a talpnyíláson levő két-két lyukhoz.

**MEGJEGYZÉS:** Ha nem megfelelően szereli be a fogantyúkat a bal/jobbal oldalon, ezek a lyukak nem lesznek egy vonalban.

- A fogantyúkat 8 csavar- alátét- és anyakészlettel rögzítse a motorfejhez. Használja a villáskulcsot és az 5 mm-es imbuszkulcsot a biztonságos meghúzáshoz (B2 ábra).
- Igazítsa a jobb oldali fogantyú kábelén lévő nyilat a motorfej kábelén lévő nyílhoz. Ezután dugja be a jobb oldali fogantyú kábelcsatlakozóját a motoregység kábelcsatlakozójába. Szorosan húzza meg őket (B2 ábra).

**MEGJEGYZÉS:** Sérülésének elkerülése érdekében ne hajlítsa vagy csavarja meg a kábelt az összeszerelés során.

B1-1	Jobb oldali fogantyú	B1-2	Bal oldali fogantyú
B1-3	Akkumulátortartó	B2-1	Csavar
B2-2	Alátét	B2-3	Csavaranya
B2-4	Kábel dugó	B2-5	Kábelaljzat

#### A MEGHAJTÓFEJ TARTOZÉK FELSZERELÉSE

**▲ FIGYELMEZTETÉS:** Olvassa el, és értse meg a meghajtófejjel használt minden opcionális alkatrész használati útmutatóját, és tartson be minden figyelmeztetést és utasítást. Az utasítások be nem tartása áramütést, tűzveszélyt és/vagy súlyos sérülést idézhet elő.

**▲ FIGYELMEZTETÉS:** Az 56 V-os PHA7400E motorfejet olyan EGO tartozék modellekhez szabad használni, amelyek a jelen használati útmutatóban meg vannak határozva, vagy amelyek használatát az EGO utólag engedélyezte a motorfejjel. Más, nem engedélyezett tartozékok használata súlyos személyi sérüléseket vagy anyagi kárt okozhat.

**▲ FIGYELMEZTETÉS:** Soha ne telepítsen, távolítsa el vagy állítson be tartozékot, mialatt a meghajtófej működésben van, vagy ha az akkumulátor be van helyezve. Ha nem sikerül leállítani a motort, vagy kivenni az akkumulátort, akkor az súlyos személyi sérüléseket okozhat. **SOHA NE MŰKÖDTESSE A MEGHAJTÓFEJET TARTOZÉK NÉLKÜL.**

HU

## HASZNÁLAT

### AZ AKKUMULÁTOREGYSÉG BERAKÁSA/ KIVÉTELE

Csak az A2 ábrán felsorolt EGO akkumulátoregységeket és töltőket használja.

#### Az első használat előtt teljesen töltsse fel.

#### Csatlakoztatás

Illessze az akkumulátor bordázatát az akkumulátorban lévő szerelőnyílásokhoz, és nyomja le az akkumulátoregységet, amíg kattantást nem hall (C1 ábra).

#### Leválasztás

Oldja ki az akkumulátor kioldógombot, és húzza ki az akkumulátoregységet (C2 ábra).

C1-1	Szerelőnyílás	C1-2	Perem
C2-1	Akkumulátor kioldógomb		

#### A MOTORFEJ INDÍTÁSA/LEÁLLÍTÁSA (D ábra)

- **A motorfej bekapcsolásához** nyomja meg és tartsa lenyomva a reteszelő gombot, majd nyomja meg az állítható sebességszabályozó kapcsolót. Oldja ki a reteszelőgombot, és nyomja tovább az indítókapcsolót a folyamatos működéshez.

**MEGJEGYZÉS:** Az állítható sebességű kioldó kapcsoló nagyobb sebességet biztosít nagyobb erejű nyomás mellett és alacsonyabb sebességet, ha kisebb erővel nyomják a kioldót.

- **A motorfej kikapcsolásához** engedje el az indítókapcsolót, és hagyja, hogy a fűrófej teljesen megálljon.

D-1	Reteszelő gomb	D-2	Állítható sebességszabályozó kapcsoló
-----	----------------	-----	---------------------------------------

#### A FORGÁSI IRÁNY ÉS SEBESSÉG KIVÁLASZTÁSA (E ábra)

Fogja meg a jobb fogantyút a jobb kezével.

- Nyomja a választókapcsolót a "2" állásba a nagy fordulatszámú előre forgatáshoz.
- Nyomja a választókapcsolót az "1" állásba a kis fordulatszámú előre forgatáshoz.
- Nyomja a választókapcsolót az "R" állásba a fordított forgás bekapcsolásához.

**MEGJEGYZÉS:** A forgásirány előre és hátra váltása csak akkor lehetséges, ha a motorfej le van állítva.

**MEGJEGYZÉS:** Az előremeneti fordulatszám beállítása bármikor elvégezhető, függetlenül attól, hogy a motorfej be van-e indítva vagy le van-e állítva.

E-1	Forgatási irány/sebességválasztó
-----	----------------------------------

## ÁLLAPOTJELZŐ

A fűró motorfeje LED-es állapotjelzővel rendelkezik, amely a gép működési állapotát mutatja. A LED-es állapotjelző csak a motorfej elindításakor világít.

LED ÁLLAPOTJELZŐ	ÜZEMI ÁLLAPOT	MŰVELET
Folyamatos zöld	A motorfej megfelelően működik.	Normál működés. Nem szükséges művelet.
Folyamatos piros	A motorfej túlterhelt.	Engedje fel az indítókapcsolót, emelje ki a fűrőt a lyukból, és ellenőrizze a túlterhelés okait. Előfordulhat, hogy alternatív ársíni helyet kell keresnie, ha egy nagyobb akadály miatt a gép leállt. Ha a probléma nem oldható meg, forduljon az EGO ügyfélszolgálatához javítás céljából.
	A motorfej túl hideg.	Engedje el a kapcsolót. Vigye be a fűrőt a fedett helyre, hogy felmelegedjen.
Folyamatos narancssárga	Visszarúgás elleni védelem.	Engedje fel az indítókapcsolót, emelje ki a fűrőt a lyukból. Indítsa újra a fűrőt, és óvatosan engedje vissza a lyukba.
Pirosan villog	Az akkumulátor majdnem lemerült.	Töltse fel az akkumulátoregységet.
Narancssárgán villog	A motorfej túlmelegedett.	Állítsa le a földfűrőt, és várjon egy ideig, amíg a gép le nem hűl.
A zöld és a piros felváltva villog.	Kommunikációs hiba.	A javításért forduljon az EGO ügyfélszolgálatához.
Nincs világítás.	Ha az akkumulátoregység LED-kijelzője narancssárgán villog vagy pirosan világít, az akkumulátoregység túlmelegedett.	Hagyja, hogy az akkumulátoregység lehűljön, és indítsa újra a fűrőt.
	Egyéb elektronikai hiba.	A javításért forduljon az EGO ügyfélszolgálatához.

HU

## KARBANTARTÁS

**▲ FIGYELMEZTETÉS:** A súlyos személyi sérülések elkerülése érdekében távolítsa el az akkumulátoregységet a készülékből szervizelés, tisztítás, tartozékok cseréje vagy anyagok szerszámból való eltávolítása közben.

### ÁLTALÁNOS KARBANTARTÁS

A műanyag alkatrészek tisztításához ne használjon oldószereket. A legtöbb műanyag különböző vegyi oldószerek hatására károsodik, ezek megrongálhatják őket. Használjon tiszta ruhát a szennyeződés, por, olaj, zsír, stb. eltávolításához.

**▲ FIGYELMEZTETÉS:** Soha ne engedje, hogy fékolaj, benzin, petróleum alapú termékek, penetráló olaj stb. a műanyag alkatrészekre kerüljön. A vegyszerek megrongálhatják, gyengíthetik vagy megtámadhatják a műanyagot, ezáltal súlyos személyi sérülést okozhatnak.

### A MEGHAJTÓFEJ TÁROLÁSA

1. Vegye ki az akkumulátoregységet a motorblokkból.
2. Elrakás előtt alaposan tisztítsa meg a motorfejet.
3. A motorfejet száraz, jól szellőző, elzárt vagy magas helyen tárolja, ahol gyermekek nem érik el. Ne tárolja a motorfejet műtrágyán, benzinen vagy más vegyszereken, illetve azok közelében.

### KÖRNYEZETVÉDELLEM



Ne dobja az elektromos eszközt, az elhasznált akkumulátort és a töltőt a háztartási hulladékok közé! Vigye hivatalos újrahasznosító telephelyre, és tegye hozzáférhetővé a szelektív gyűjtéshez. Az elektromos eszközöket megfelelő környezetbarát újrahasznosító üzembe kell vinni.



## HIBAELHÁRÍTÁS

Lásd a megfelelő tartozékok használati útmutatóit.

## GARANCIA

### EGO GARANCIÁLIS FELTÉTELEK

Kérjük, látogasson el az [egopowerplus.eu](http://egopowerplus.eu) oldalra, ahol megtalálja a részletes EGO garanciális feltételeket.

HU



## CITIȚI TOATE INSTRUCȚIUNILE!



CITIȚI MANUALUL DE INSTRUCȚIUNI

**⚠️ AVERTISMENT:** Pentru siguranța și fiabilitatea produsului, toate reparațiile trebuie efectuate de către un tehnician de service autorizat.

## SIMBOLUL DE SECURITATE

Scopul simbolurilor privind siguranța este să vă atragă atenția asupra pericolelor posibile. Simbolurile privind siguranța și explicațiile furnizate cu acestea merită atenția și înțelegerea dumneavoastră. Avertizările simbolurilor nu elimină, prin ele însele, niciun pericol. Instrucțiunile și avertizările pe care le oferă acestea nu pot înlocui măsurile adecvate de prevenire a accidentelor.

**⚠️ AVERTISMENT:** Asigurați-vă că ați citit și înțelegiți toate instrucțiunile privind siguranța din acest Manual de utilizare, inclusiv toate simbolurile de alertă privind siguranța precum „PERICOL”, „AVERTISMENT” și „ATENȚIE” înainte de a utiliza această mașină. Nerespectarea tuturor instrucțiunilor enumerate mai jos poate duce la electrocutare, incendiu și/sau vătămări corporale grave.

## INSTRUCȚIUNI PRIVIND SIGURANȚA

Această pagină descrie simbolurile de siguranță ce pot apărea pe acest produs. Citiți, înțelegeți și respectați toate instrucțiunile de pe mașină înainte de asamblare și utilizare.



Alertă privind siguranța



Pentru a reduce riscul de accidentări, utilizatorul trebuie să citească manualul de instrucțiuni.



Purtați echipament de protecție auditivă



Purtați echipament de protecție oculară



Deșeurile produselor electrice nu trebuie să fie eliminate împreună cu deșeurile menajere.  
Predați-le unui punct de reciclare autorizat.



Acest produs este în conformitate cu directivele europene aplicabile.



Curent continuu



Conformitate evaluată pentru Regatul Unit

V Tensiune

kg Kilograme

IPX4 Protecție împotriva stropilor de apă

RO

## AVERTIZĂRI GENERALE DE SIGURANȚĂ PENTRU MAȘINI

**▲ AVERTISMENT:** Citiți toate avertizările de siguranță, instrucțiunile, ilustrațiile și specificațiile livrate împreună cu această mașină. Nerespectarea tuturor instrucțiunilor enumerate mai jos se poate solda cu șoc electric, incendiu și/sau vătămare corporală gravă.

**Păstrați toate avertizările și instrucțiunile pentru consultare ulterioară.**

### SIGURANȚA ZONEI DE LUCRU

- **Păstrați zona de lucru curată și bine luminată.**  
Zonele dezordonate și întunecoase predispun la accidente.
- **Nu utilizați utilajele în atmosfere explozive, cum ar fi în prezența lichidelor inflamabile, a benzinei sau a prafului.** Mașinile creează scântei, care pot aprinde praful sau gazele.
- **Țineți copiii și alte persoane la distanță în timpul operării unei mașini.** Distragerea atenției vă poate face să pierdeți controlul.

### SIGURANȚA ELECTRICĂ

- **Ștecherile mașinilor trebuie să corespundă cu prizele electrice. Nu modificați niciodată ștecherul în vreun fel. Nu utilizați ștechere adaptatoare de priză cu mașinile echipate cu împământare.** Ștecherile nemodificate și prizele potrivite vor reduce riscul de șoc electric.
- **Evitați contactul corpului cu suprafețe împământate sau legate la pământ, cum ar fi țevi, radiatoare, aragazuri și frigider.** Există un risc crescut de șoc electric dacă corpul dumneavoastră este legat la pământ sau împământat.
- **Nu expuneți mașinile la ploaie sau în condiții umede.** Intrarea apei într-o mașină va crește riscul de șoc electric.
- **Nu abuzați de cablu. Nu utilizați niciodată cablul de alimentare pentru transportul, tragerea sau scoaterea din priză a mașinii. Țineți cablul departe de căldură, ulei, margini ascuțite sau piese în mișcare.** Cablurile electrice deteriorate sau încălcite cresc riscul de electrocutare.
- **Atunci când utilizați un aparat în aer liber, utilizați un prelungitor adecvat pentru utilizarea în aer liber.** Utilizarea unui cablu adecvat pentru utilizare în aer liber reduce riscul de electrocutare.

- **Dacă operarea unei mașini într-un loc umed este inevitabil, utilizați o sursă de alimentare protejată cu întrerupător de circuit de defect.** Utilizarea unui GFCI reduce riscul de electrocutare.

### SIGURANȚA PERSONALĂ

- **Păstrați-vă vigilența, urmăriți ceea ce faceți și apelați la bunul simț când utilizați o mașină. Nu utilizați un aparat în timp ce sunteți obosit sau sub influența drogurilor, alcoolului sau medicamentelor.** Un moment de neatenție în timpul operării utilajelor poate duce la vătămări corporale grave.
- **Utilizați echipament de protecție individuală. Purtați întotdeauna echipament de protecție oculară. Echipamentele de protecție, cum ar fi masca de praf, bocancii de protecție antiderapanți, casca sau antifoaanele utilizate în condiții corespunzătoare, vor reduce vătămrile corporale.**
- **Preveniți pornirea accidentală. Asigurați-vă că întrerupătorul este în poziția oprit înainte de a conecta mașina la o sursă de alimentare și/sau set de acumulatori, înainte de a ridica sau de a transporta mașina.** Transportul mașinilor cu degetul pe întrerupător sau acționarea mașinilor alimentate electric, predis pune la accidente.
- **Îndepărtați orice cheie de reglare sau cheie fixă înainte de a porni mașina. O cheie lăsată într-o piesă rotativă a mașinii poate duce la vătămări.**
- **Nu încercați să ajungeți în locuri inaccesibile. Păstrați-vă stabilitatea și echilibrul în orice moment.** Acest lucru permite un control mai bun al mașinii în situații neprevăzute.
- **Îmbrăcați-vă corespunzător. Nu purtați haine largi sau bijuterii. Țineți-vă părul și hainele departe de piesele în mișcare. Îmbrăcămintea largă, bijuteriile sau părul lung se pot prinde în piesele în mișcare.**
- **Dacă sunt prevăzute dispozitive pentru conectarea instalațiilor de aspirare și colectare a prafului, asigurați-vă că acestea sunt conectate și utilizate corespunzător.** Utilizarea dispozitivelor de colectare a prafului poate reduce pericolele legate de praf.
- **Nu lăsați ca familiaritatea dobândită în urma utilizării frecvente a utilajelor să vă permită să vă complăcați și să ignorați principiile de siguranță ale mașinilor. O operație neglijentă poate cauza vătămări grave într-o fracțiune de secundă.**

## UTILIZAREA ȘI ÎNGRIJIREA MAȘINII

- **Nu forțați mașina. Utilizați mașina potrivită pentru aplicația dumneavoastră.** Mașina corectă va face o treabă mai bună și mai sigură când este utilizată conform specificațiilor pentru care a fost concepută.
- **Nu utilizați mașina dacă întrerupătorul nu o pornește și nu o oprește.** Orice mașină care nu poate fi controlată cu comutatorul este periculoasă și trebuie reparată.
- **Deconectați ștecherul de la sursa de alimentare și/sau scoateți acumulatorul, dacă este detașabil, din aparat înainte de a efectua orice reglaje, de a schimba accesoriul sau de a depozita aparatele.** Astfel de măsuri preventive reduc riscul de pornire accidentală a mașinii.
- **Depozitați mașinile inactice la îndemâna copiilor și nu permiteți persoanelor nefamiliarizate cu mașina sau cu aceste instrucțiuni să opereze mașina.** Mașinile sunt periculoase în mâinile utilizatorilor neinstruiți.
- **Întrețineți mașina și accesoriile. Verificați dacă există abateri de la coaxialitate sau gripări ale pieselor în mișcare, avarii ale pieselor și orice altă situație care poate afecta funcționarea mașinii. Dacă este deteriorată, reparați mașina înainte de utilizare.** Multe accidente sunt cauzate de mașini prost întreținute.
- **Păstrați mașinile de tăiat ascuțite și curate.** Mașinile așchietoare întreținute corespunzător și cu muchii de tăiere ascuțite riscă mai puțin să se îndoie și sunt mai ușor de controlat.
- **Utilizați mașina, accesoriile și piesele etc. în conformitate cu aceste instrucțiuni, ținând cont de condițiile de lucru și de lucrările care urmează să fie efectuate.** Utilizarea mașinii pentru operații diferite de cele intenționate s-ar putea solda cu o situație periculoasă.
- **Păstrați mânerul și suprafețele de prindere uscate, curate și lipsite de ulei și grăsimi.** Mânerul și suprafețele de apucare alunecoase nu permit manevrarea în siguranță și controlul asupra mașinii în situații neașteptate.

## UTILIZAREA ȘI ÎNGRIJIREA MAȘINILOR CU BATERIE

- **Reîncărcați numai cu încărcătorul specificat de producător.** Un încărcător adecvat pentru un tip de set de acumulatori poate prezenta risc de incendiu dacă este utilizat cu alt set de acumulatori.
- **Utilizați mașinile numai cu seturile de acumulatori special menționate.** Utilizarea oricărui alt set de acumulatori prezintă risc de accidente și incendiu.
- **Când nu se utilizează setul de acumulatori, țineți-l departe de alte obiecte metalice precum clamele de hârtie, monedele, cheile, cuiele, șuruburile sau alte obiecte metalice mici care pot realiza o conexiune între borne.** Scurtcircuitarea bornelor bateriei poate produce arsuri sau un incendiu.
- **În condiții abuzive se poate scurge lichid din baterie; evitați contactul.** Dacă are loc contactul accidental, clătiți cu apă. Dacă lichidul intră în contact cu ochii, efectuați suplimentar un consult medical. Lichidul scurs din baterie poate produce iritări sau arsuri.
- **Nu utilizați un set de acumulatori sau o mașină deteriorată ori modificată.** Acumulatorii deteriorați sau modificați pot prezenta comportament imprevizibil, care poate duce la incendiu, explozie sau risc de vătămare.
- **Nu expuneți setul de acumulatori la foc sau mașina la temperaturi excesive.** Expunerea la foc sau la temperaturi de peste 130°C poate provoca explozie.
- **Respectați instrucțiunile de încărcare și nu încărcați setul de acumulatori sau mașina în afara intervalului de temperatură specificat în instrucțiuni.** Încărcarea necorespunzătoare sau la temperaturi în afara domeniului specificat poate duce la deteriorarea bateriei și la creșterea riscului de incendiu.

RO

## OPERAȚIILE DE SERVICE

- **Duceți mașina electrică la depanat pentru a fi reparată de o persoană calificată utilizând numai piese de schimb identice.** Acest lucru va asigura menținerea siguranței mașinii.
- **Nu efectuați niciodată operații de service asupra seturilor de acumulatori deteriorați.** Depanarea acumulatorilor trebuie să fie efectuată numai de producător sau de prestatorii autorizați de servicii.

## AVERTISMENTE DE SIGURANȚĂ PENTRU CAPUL DE PUTERE

- Acest cap electric de putere PHA7400E poate fi utilizat numai cu următoarele accesorii EGO sau introduse ulterior de EGO pentru a fi utilizate cu acest cap electric:

TIP DE DISPOZITIV	NUMĂR MODEL
Burghiu pentru pământ	ETA0800E
Burghiu melc pentru gheață	ITA0800E

- **Înlocuiți burghiurile dacă sunt crăpate, îndoite sau deteriorate în vreun fel.** Operarea mașinii cu un melc deteriorat poate duce la răniri grave.
- **Nu utilizați niciodată burghiul cu mânerul deasupra nivelului taliei.** Acest lucru restricționează controlul burghiului și poate crește riscul de rănire.
- **Țineți mașina cu ambele mâini de mânerul prevăzute.** Pierderea controlului poate provoca vătămări corporale.
- **Țineți mașina de suprafețele de prindere izolate, atunci când efectuați o operațiune în care accesoriul de săpare poate intra în contact cu cabluri ascunse.** Accesorii de săpare care intră în contact cu un fir "sub tensiune" poate face ca părțile metalice expuse ale mașinii să fie "sub tensiune" și poate provoca operatorului un șoc electric.
- **Pentru a reduce riscul de electrocutare, nu utilizați niciodată mașina de foraj în apropierea cablurilor electrice îngropate.** Contactul sau utilizarea în apropierea cablurilor electrice îngropate poate provoca vătămări grave sau electrocutare care poate duce la moarte.
- **Porniți întotdeauna mașina la viteză redusă și cu vârful burghiului în contact cu solul.** La viteze mai mari, burghiul este posibil să se îndoiească dacă este lăsat să se rotească liber fără să atingă solul, ceea ce poate duce la vătămări corporale.
- **Aplicați presiune numai în linie directă cu burghiul și nu aplicați presiune excesivă.** Burghiile se pot îndoii ducând la rupere sau la pierderea controlului, cauzând vătămări.
- **Asigurați-vă întotdeauna că aveți un picior ferm.** Asigurați-vă că nu este nimeni dedesubt atunci când utilizați mașina în locuri înalte.
- **Țineți ferm mașina.**
- **Țineți mâinile departe de piesele rotative.**

- **Nu lăsați mașina în funcțiune. Utilizați mașina numai când este ținută în mână.**
- **Nu atingeți burghiu spiral imediat după utilizare.** Poate fi extrem de cald și îți poate arde pielea.
- **Dacă ceva este în neregulă cu aparatul, cum ar fi sunete anormale, opriți imediat funcționarea și contactați centrul local de service pentru reparații.**
- **Pentru a reduce riscul de explozie, nu utilizați niciodată burghiu spiral lângă conducte de gaz îngropate, inclusiv conducte de apă și conducte.** Contactul sau utilizarea în apropierea conductelor de apă sau de gaz îngropate poate duce la ruperea conductelor de apă și la explozia de la conductele de gaz, ceea ce poate cauza vătămări grave sau deces.
- **Nu acționați niciodată la o viteză mai mare decât viteza maximă nominală a burghiului spiral.** La viteze mai mari, este foarte probabil ca burghiul să se îndoiească dacă i se permite rotirea în gol fără a intra în contact cu piesa, rezultând vătămări.
- **Aparatele care funcționează cu baterii nu trebuie să fie conectate la o priză electrică; prin urmare, acestea sunt întotdeauna în stare de funcționare.** Fiți atenți la pericolele posibile chiar și atunci când mașina nu este în funcțiune. Aveți grijă când efectuați operații de întreținere sau de service.
- **Nu spălați cu un furtun; evitați pătrunderea apei în motor și în conexiunile electrice.**
- **Lamele de gheață sunt foarte ascuțite. Aveți grijă extremă atunci când faceți o gaură sau înlocuiți lamele.** Puneți protecția lamei după fiecare utilizare.
- **Verificați frecvent și asigurați-vă că șurubul de blocare este fixat pe loc.**

**PĂSTRAȚI ACESTE INSTRUCȚIUNI.** Consultați-le frecvent și utilizați-le pentru a instrui alte persoane care ar putea utiliza această mașină. Dacă împrumutați cuiva această mașină, împrumutați-i și aceste instrucțiuni pentru a preveni utilizarea inadecvată a produsului și posibile răniri.

## SPECIFICAȚII

Tensiune	56 V	
Cuplu	74 Nm	
Viteză la mers în gol ( $n_0$ )	Înainte	Joasă: 0-150 /min Mare: 0-210 /min
	Înapoi	100 /min
Greutate (fără set de acumulatori)	10,2 kg	

## LISTA COMPONENTELOR (FIG. A1)

### DESCRIEREA

#### CUNOAȘTE-ȚI CAPUL DVS.DE PUTERE (Fig. A1)

1. Mâner stânga
2. Mâner dreapta
3. Selector de direcție/viteză de rotație
4. Buton de blocare
5. Întrerupător declanșator cu selector de viteză
6. Buton de detașare a acumulatorului
7. Indicator cu LED
8. Cap de alimentare
9. Port acumulator
10. Cheie tubulară (10 mm)
11. Cheie hexagonală (5 mm)

### ASAMBLARE

#### INSTALAREA MÂNERELOR

1. Cu portul acumulatorului orientat spre spate, introduceți tuburile mânerelor din dreapta și din stânga în fantele curbate de pe baza capului de putere (Fig. B1).
2. Aliniați cele două orificii din fiecare tub de mâner cu cele două orificii din fiecare fantă de bază.

**NOTĂ:** Instalarea incorectă la dreapta/stânga a mânerelor va împiedica alinierea acestor găuri.

3. Utilizați 8 seturi de șuruburi, șaibe și piulițe pentru a fixa mânerele de capul motor. Utilizați cheia și cheia hexagonală de 5 mm pentru a le strânge bine (Fig. B2).
4. Aliniați săgeata de pe cablul mânerului din dreapta cu săgeata de pe cablul capului de alimentare. Apoi introduceți mufa de cablu a mânerului drept în mufa de cablu a capului de alimentare. Strângeți-le bine (Fig. B2).

**NOTIFICARE:** Pentru a preveni deteriorarea cablului, nu-l îndoiți sau răsușiți în timpul asamblării.

B1-1	Mâner dreapta	B1-2	Mâner stânga
B1-3	Port acumulator	B2-1	Boț
B2-2	Șaibă	B2-3	Piuliță
B2-4	Cablu cu fișă	B2-5	Soclu pentru cablu

#### INSTALAREA UNUI ACCESOR AL CAPULUI ELECTRIC

**⚠️ AVERTISMENT:** Citiți și înțelegeți întregul Manual de utilizare pentru fiecare dispozitiv opțional utilizat cu acest cap de alimentare și respectați toate avertismentele și instrucțiunile. Nerespectarea tuturor instrucțiunilor poate duce la electrocutare, incendiu și/sau vătămări grave.

**⚠️ AVERTISMENT:** Acest cap de putere de 56 V PHA7400E este proiectat pentru a fi utilizat numai cu modelele de accesorii EGO specificate în acest manual al operatorului sau introduse ulterior de EGO pentru a fi utilizate cu acest cap motor. Utilizarea altor dispozitive neautorizate poate cauza vătămări grave sau pagube.

**⚠️ AVERTISMENT:** Niciodată nu instalați, îndepărtați sau ajustați vreun dispozitiv în timp ce capul de alimentare este în funcțiune sau dacă acumulatorul este instalat. Dacă nu se oprește motorul și nu se scoate bateria, se pot produce vătămări corporale grave. **NU PUNEȚI NICIODATĂ CAPUL DE ALIMENTARE ÎN FUNCȚIUNE FĂRĂ UN DISPOZITIV ATAȘAT.**

### FUNCȚIONARE

#### ATAȘAREA/DETAȘAREA SETULUI DE ACUMULATORI

Utilizați numai seturile de acumulatori EGO și încărcătoarele prezentate în Fig. A2.

**Încărcați acumulatorul complet înainte de prima utilizare.**

#### Pentru atașare

Aliniați nervurile bateriei cu fantele de montare și apăsați bateria în jos până când auziți un "clic" (Fig. C1).

#### Pentru detașare

Apăsați butonul de eliberare a bateriei și scoateți pachetul de baterii (Fig. C2).

C1-1	Fantă de montare	C1-2	Proeminență
C2-1	Buton de detașare a acumulatorului		

#### PORNIREA/OPRIREA CAPULUI DE PUTERE (Fig. D)

- Pentru a porni capul de alimentare, apăsați și mențineți apăsat butonul de blocare și apoi apăsați comutatorul de declanșare cu viteză variabilă. Eliberați butonul de siguranță și strângeți în continuare comutatorul de declanșare pentru funcționare continuă.

RO

**NOTĂ:** Comutatorul de declanșare cu turație variabilă oferă o viteză mai mare, cu o presiune de declanșare crescută și o viteză mai mică, cu o presiune de declanșare scăzută.

- Pentru a opri capul de putere, eliberați comutatorul de declanșare și permiteți burghiului să se oprească complet.

D-1	Buton de blocare	D-2	Comutator de declanșare cu viteză variabilă
-----	------------------	-----	---

## SELECTAREA DIRECȚIEI DE ROTARE ȘI A VITEZEI (Fig. E)

Țineți mânerul drept cu mâna dreaptă.

- Împingeți selectorul în poziția „2” pentru a activa rotația înainte la viteză mare.
- Apăsăți selectorul în poziția „1” pentru a activa rotația înainte la viteză mică.
- Împingeți selectorul în poziția „R” pentru a activa rotația inversă.

**NOTĂ:** Comutarea sensului de rotație între înainte și înapoi este posibilă numai atunci când capul motor este oprit.

**NOTĂ:** Reglarea vitezei înainte poate fi realizată în orice moment, indiferent dacă capul de putere este pornit sau oprit.

E-1	Selector de direcție de rotație / viteză
-----	--

## INDICATOR DE STARE

Capul de putere al burghiu spiral are un indicator LED de stare pentru a afișa starea de funcționare a mașinii. Indicatorul LED se va aprinde numai atunci când capul de putere este pornit.

INDICATOR DE STARE LED	STAREA DE LUCRU	ACȚIUNE
Verde continuu	Capul de putere funcționează corect.	Funcționare normală. Nu este necesară nicio acțiune.
Roșu continuu	Capul de putere este supraîncărcat.	Eliberați declanșatorul, ridicați burghiu spiral din orificiu și verificați cauzele supra-sarcinii. Este posibil să fie nevoie să găsiți un loc alternativ pentru a săpa dacă un obstacol mare a determinat oprirea mașinii. Dacă problema nu poate fi rezolvată, contactați serviciul pentru clienți EGO pentru reparații.
	Capul de putere este prea rece.	Eliberați declanșatorul. Aduceți burghiu spiral în interior pentru a-l încălzi.
Portocaliu continuu	Protecție anti-recul.	Eliberați trăgaciul, ridicați burghiu spiral din orificiu. Reporniți burghiu spiral și coborâți-l ușor înapoi în gaură.
Roșu intermitent	Încărcarea acumulatorului este aproape epuizată.	Încărcați setul de acumulatori.
Portocaliu intermitent	Capul de putere este supraîncălzit.	Opriti burghiu spiral și așteptați ceva timp pentru a se răci.
Lumina verde și roșie clipesc alternativ.	Defecțiune de comunicare.	Contactați Serviciul clienți EGO pentru reparații.

Nu e lumină.	Dacă indicatorul LED de pe acumulator clipește portocaliu sau luminează roșu, acumulatorul este supraîncălzit.	Lăsați pachetul de baterii să se răcească și reporniți din nou burghiul spiral.
	Alte erori electronice.	Contactați Serviciul clienți EGO pentru reparații.

## ÎNTREȚINEREA

**⚠️ AVERTISMENT:** Pentru a preveni vătămări corporale grave, scoateți acumulatorul din produs înainte de a efectua lucrări de întreținere, curățare, schimbare a accesoriilor sau de a îndepărta materiale din unitate.

### ÎNTREȚINERE GENERALĂ

Evitați utilizarea solvenților când curățați piese din plastic. Majoritatea pieselor din plastic sunt susceptibile să se deterioreze de la diverse tipuri de solvenți comerciali și se pot defecta prin utilizarea acestora. Utilizați o cârpă curată pentru a îndepărta murdăria, praful, uleiul, vaselina etc.

**⚠️ AVERTISMENT:** Nu permiteți niciodată lichidelor de frână, benzinei, produselor petroliere, uleiurilor penetrante etc. să vină în contact cu piese din plastic. Substanțele chimice pot deteriora, pot fragiliza sau pot distruge plasticul, ceea ce se poate solda cu vătămări grave.

### DEPOZITAREA CAPULUI DE ALIMENTARE

1. Detașați setul de acumulatori de la capul de alimentare.
2. Curățați bine capul de putere înainte de a-l depozita.
3. Depozitați capul de putere într-o zonă uscată și bine ventilată, încuiat sau la înălțime, departe de îndemâna copiilor. Nu depozitați capul de putere pe sau lângă îngrășăminte, benzină sau alte substanțe chimice.

### PROTEJÂND MEDIUL ÎNCONJURĂTOR



Nu eliminați echipamentul electric, bateria epuizată și încărcătorul de baterii împreună cu deșeurile menajere! Predați acest produs unui punct de reciclare autorizat și puneți-l la dispoziția colectării separate. Sucelele electrice trebuie returnate unui centru de reciclare ecologic.

## DEPANAREA

Consultați manualul de instrucțiuni al dispozitivului aplicabil.

RO

## GARANȚIE

### POLITICA PRIVIND GARANȚIA EGO

Vă rugăm să consultați site-ul [egopowerplus.eu](http://egopowerplus.eu) pentru termenii și condițiile complete ale politicii privind garanția EGO.

## PREBERITE VSA NAVODILA!



PREBERITE PRIROČNIK Z NAVODILI ZA UPORABO

**⚠ OPOZORILO:** Za zagotovitev varnosti in zanesljivosti mora vsa popravila izvesti usposobljen servisni tehnik.

## VARNOSTNI SIMBOL

Namen varnostnih simbolov je, da vas opozorijo na morebitne nevarnosti. Bodite pozorni na varnostne simbole in njihova pojasnila ter jih poskušajte razumeti. Opozorilni simboli sami ne odpravljajo nobene nevarnosti. Navodila in opozorila niso nadomestilo za ustrezne ukrepe za preprečevanje nesreč.

**⚠ OPOZORILO:** Pred uporabo tega orodja preberite in poskrbite, da boste razumeli vsa varnostna navodila v tem priročniku, vključno z vsemi varnostnimi opozorilnimi simboli, kot so »NEVARNOST«, »OPOZORILO« in »POZOR«. Zaradi neupoštevanja spodaj navedenih navodil lahko pride do električnega udara, požara in/ali resnih telesnih poškodb.

## VARNOSTNA NAVODILA

Na tej strani so prikazani in opisani varnostni simboli, ki se lahko pojavijo na tem izdelku. Preberite, osvojite in sledite navodilom na stroju, preden ga boste poskušali sestaviti in upravljati.



Varnostno opozorilo



Za zmanjšanje nevarnosti telesnih poškodb je pomembno, da uporabnik prebere priročnik z navodili za uporabo.



Nosite zaščito za ušesa



Nosite zaščito za oči

**SL**



Odpadnih električnih izdelkov ne odlagajte med gospodinjske odpadke. Odnosite jih v pooblaščen obrat za recikliranje.



Ta izdelek je skladen z veljavnimi direktivami ES.



Enosmerni tok



Ta izdelek je v skladu z veljavno zakonodajo Združenega kraljestva

V

Napetost

kg

Kilogram

IPX4

Zaščita pred pljuski vode



## SPLOŠNA VARNOSTNA NAVODILA ZA NAPRAVE

**⚠ OPOZORILO:** Preberite vsa varnostna opozorila, navodila, slike in tehnične podatke, ki so priloženi tej napravi. Zaradi neupoštevanja spodaj navedenih navodil lahko pride do električnega udara, požara in/ali hudih telesnih poškodb.

Vsa opozorila in navodila shranite za kasnejšo uporabo.

### VARNOST DELOVNEGA OBMOČJA

- Delovno območje naj bo čisto in dobro osvetljeno. Na neurejenih ali temnih območjih se hitro zgodijo nesreče.
- Naprav ne upravljajte v eksplozivnih ozračjih, na primer ob prisotnosti vnetljivih tekočin, plinov ali prahu. Naprave ustvarjajo iskre, ki lahko povzročijo vžig prahu ali hlapov.
- Med uporabo naprave poskrbite, da otroci in mimoidoči ne bodo v bližini. Zaradi motenj lahko izgubite nadzor.

### ELEKTRIČNA VARNOST

- Vtiči naprave se morajo prilegati vtičnicam. Vtiča nikoli ne smete spreminjati na kakršen koli način. Z ozemljenimi napravami ne uporabljajte nikakršnih adapterskih vtičev. Nespremenjeni vtiči in ustrezne vtičnice bodo zmanjšali tveganje električnega udara.
- Izogibajte se telesnemu stiku z ozemljenimi površinami, kot so cevi, radiatorji, štedilniki in hladilniki. Če je vaše telo ozemljeno, obstaja povečano tveganje električnega udara.
- Naprav ne izpostavljajte dežju ali mokrim razmeram. Vdor vode v stroj poveča nevarnost električnega udara.
- Ne poškodujte električnega kabla. Kabla ne uporabljajte za nošenje, vlečenje ali odklop naprave. Kabel hranite stran od vročine, olja, ostrih robov ali premikajočih se delov. Poškodovani ali zapleteni kablji zvišujejo tveganje električnega udara.
- Med uporabo naprave na prostem uporabite podaljšek, ki je primeren za uporabo na prostem. Uporaba kabla, primerne za zunanjo uporabo, znižuje tveganje električnega udara.
- Če je delovanje stroja na vlažnem mestu neizogibno, uporabite napajalnik, zaščiten s stikalom za prekinitev napajanja. Uporaba GFCI zmanjša tveganje električnega udara.

### OSEBNA VARNOST

- Med uporabo naprave bodite pozorni, spremljajte potek dela in uporabljajte zdrav razum. Naprave ne uporabljajte, kadar ste utrujeni oziroma pod vplivom drog, alkohola ali zdravil. Trenutek nepazljivosti med uporabo naprave lahko povzroči hude telesne poškodbe.
- Uporabljajte osebno varovalno opremo. Vedno uporabljajte zaščito za oči. Če v določenih okoliščinah nosite ustrezno zaščitno opremo, kot so maska proti prahu, zaščitna obutev z nedrsečim podplatom, trdno pokrivalo glave in zaščita za sluh, zmanjšate možnost telesnih poškodb.
- Preprečite neželen zagon. Pred priklopom na vir napajanja in/ali priklopom baterijskega sklopa ter pred dvigovanjem ali nošenjem naprave se prepričajte, da je stikalo v položaju za izklop. Prenaslanje naprav s prstom na stikalu ali vklop naprav, pri katerih je stikalo v položaju za vklop, povzroči tveganje za nesreče.
- Pred vklopom naprave odstranite morebitne nastavitvene ali viličaste ključe. Viličasti ali drug ključ, ki je pritrdjen na vrtljivi del naprave, lahko povzroči telesne poškodbe.
- Ne stegujte se preveč. Pazite, da ves čas stojite stabilno in ohranjate ravnotežje. To omogoča boljši nadzor nad napravo v nepričakovanih situacijah.
- Bodite primerno oblečeni. Ne nosite ohlapnih oblačil ali nakita. Pazite, da lasje in oblačila ne pridejo v bližino gibljivih delov. Ohlapna oblačila, nakit ali dolgi lasje se lahko zapletejo v gibljive dele.
- Če imate naprave za odsesavanje in zbiranje prahu, ki jih lahko priključite, se prepričajte, da so pravilno priključene in uporabljene. Uporaba naprav za zbiranje prahu lahko zmanjša nevarnosti, povezane s prahom.
- Čeprav dobro poznate napravo zaradi pogoste uporabe, ne postanite brezbržni in ne prezrite varnostnih načel uporabe naprave. Nepazljivost pri uporabi lahko povzroči hude telesne poškodbe v delcu sekunde.

### UPORABA IN NEGA NAPRAVE

- Naprave ne preobremenjujte. Uporabite napravo, ki je primerno za vaše delo. Ustrezna naprava bo nalogo opravila bolje in varneje pri zmogljivosti, za katero je bila zasnovana.
- Stroja ne uporabljajte, če ga stikalo ne vklopi in izklopi. Vsak stroj, ki ga ni mogoče upravljati s stikalom, je nevaren in ga je treba popraviti.

SL

- **Izključite vtič iz vira napajanja in/ali iz stroja odstranite baterijo, če je snemljiva, preden opravite kakršnekoli prilagoditve, zamenjavo dodatkov ali pospravljanje stroja.** Tak preventivni varnostni ukrepi zmanjšujejo tveganje nenamernega zagona naprave.
- **Neaktivne naprave shranjujte zunaj dosega otrok in osebam, ki niso seznanjene z napravo ali s temi navodili, preprečite upravljanje naprave.** Naprave so v rokah neusposobljenih uporabnikov nevarni.
- **Poskrbite za vzdrževanje naprave in dodatne opreme.** Preverite, ali so gibljivi deli nepravilno poravnani ali povezani, ali so deli polomljeni oziroma obstaja kakršno koli drugo stanje, ki bi lahko vplivalo na delovanje naprave. Če je naprava poškodovana, jo pred uporabo popravite. Veliko nesreč je posledica slabo vzdrževanih naprav.
- **Rezalne naprave naj bodo vedno nabrušene in čiste.** Pravilno vzdrževane rezalne naprave z ostrimi rezili se težje zaskočijo in jih je lažje nadzirati.
- **Napravo, dodatno opremo, dele naprave itd. uporabljajte v skladu s temi navodili, pri tem pa upoštevajte delovne pogoje in delo, ki ga boste opravljali.** Če boste napravo uporabljali za postopke, ki niso predvideni, lahko pride do nevarnih situacij.
- **Ročaji in prijemalne površine naj bodo suhe, čiste in brez madežev olja ali masti.** Drseči ročaji in prijemalne površine ne omogočajo varne uporabe in upravljanja naprave v nepričakovanih situacijah.

- **Ne uporabljajte poškodovanega ali spremenjenega baterijskega sklopa ali naprave.** Poškodovane ali spremenjene baterije se lahko nepredvidljivo vedejo, kar lahko povzroči požar, eksplozijo ali tveganje telesnih poškodb.
- **Baterijskega sklopa ali naprave ne izpostavljajte ognju ali previsokim temperaturam.** Izpostavljanje ognju ali temperaturam nad 130 °C lahko povzroči eksplozijo.
- **Upoštevajte vsa navodila za polnjenje in baterijskega sklopa ali naprave ne polnite zunaj temperaturnega razpona, navedenega v navodilih.** Zaradi nepravilnega polnjenja ali temperature zunaj navedenega razpona lahko pride do poškodb baterije in povečanega tveganja za požar.

## SERVISIRANJE

- **Napravo naj servisira usposobljen serviser, ki uporablja samo enake nadomestne dele.** To bo zagotovilo ohranjanje varnosti naprave.
- **Nikoli ne popravljajte poškodovanih baterijskih sklopov.** Servis baterijskih sklopov naj izvaja samo proizvajalec ali pooblaščen serviser.

## VARNOSTNA OPOZORILA ZA POGONSKO ENOTO

- **Ta pogonska enota PHA7400E se lahko uporablja samo z naslednjimi priključki EGO ali pa jo je EGO naknadno predstavil za uporabo s to pogonsko enoto:**

TIP PRIKLJUČKA	ŠTEVILKA MODELA
Sveder za zemljo	ETA0800E
Sveder za led	ITA0800E

- **Zamenjajte svedre, če so počeni, upognjeni ali kakorkoli poškodovani.** Upravljanje stroja s poškodovanim svedrom lahko povzroči resne poškodbe.
- **Nikoli ne uporabljajte svedra z ročaji nad višino pasu.** To lahko omeji nadzor nad svedrom in poveča tveganje za poškodbe.
- **Stroj držite z obema rokama za predvidena ročaja.** Izguba nadzora lahko povzroči telesne poškodbe.
- **Stroj držite za izolirane prijemalne površine, ko izvajate operacijo, pri kateri lahko nastavek za kopanje pride v stik s skrito napeljavo.** Nastavek za kopanje, ki se dotakne žice, ki je pod napetostjo, lahko to napetost prenese na izpostavljene kovinske dele in povzroči električni udar upravljalca.

SL

## UPORABA IN NEGA AKUMULATORSKEGA STROJA

- **Polnite samo s polnilnikom, ki ga določi proizvajalec.** Polnilnik, ki je primeren za eno vrsto baterijskih sklopov, morda lahko povzroči nevarnost požara, če z njim polnite drugo vrsto baterijskih sklopov.
- **Naprave uporabljajte samo s predpisano vrsto baterijskih sklopov.** Uporaba katerih koli drugih baterijskih sklopov lahko povzroči tveganje za telesne poškodbe in požar.
- **Ko baterijski sklop ni v uporabi, ga hranite ločeno od drugih kovinskih predmetov, kot so sponke za papir, kovanci, ključi, žebliji, vijaki ali drugi majhni kovinski predmeti, ki lahko povzročijo stik med enim in drugim kontaktom.** Kratek stik zaradi povezanih kontaktov baterije lahko povzroči opekline ali požar.
- **Ob zlorabi baterije lahko iz nje brizgne tekočina, stik s katero preprečite. Če se nehotе dotaknete tekočine, mesto dotika sperite z vodo. Če pride tekočina v stik z očmi, poiščite zdravniško pomoč.** Tekočina, ki brizgne iz baterije, lahko povzroči draženje ali opekline.

- **Da zmanjšate nevarnost električnega udara, svedra nikoli ne uporabljajte v bližini zakopanih električnih vodov.** Stik ali uporaba v bližini zakopanih električnih napajalnih kablov lahko povzroči resne poškodbe ali električni udar, ki lahko povzroči smrt.
- **Stroj vedno zaženite pri nizki hitrosti in s konico svedra v stiku s tlemi.** Pri večjih hitrostih se nastavek lahko upogne, če se prosto vrti brez stika s tlemi, kar lahko povzroči telesne poškodbe.
- **Pritiskajte samo v neposredni liniji s svedrom in ne pritiskajte premočno.** Svedri se lahko upognejo, kar povzroči zlom ali izgubo nadzora in posledično telesne poškodbe.
- **Vedno se prepričajte, da imate trdno podlago.** Pri uporabi stroja na visokih lokacijah se prepričajte, da ni nikogar spodaj.
- **Stroj trdno držite.**
- **Roke držite proč od vrtečih se delov.**
- **Stroja ne pustite delovati brez nadzora. Stroj upravljajte samo takrat, ko ga imate v roki.**
- **Ne dotikajte se svedra takoj po uporabi.** Lahko je zelo vroč in lahko opeče kožo.
- **Če je s strojem kaj narobe, na primer neobičajni zvoki, takoj prenehajte z uporabo in se za popravilo obrnite na lokalni servisni center.**
- **Za zmanjšanje nevarnosti eksplozije nikoli ne uporabljajte svedra v bližini vkopanih plinovodov, vključno z vodovodnimi napeljavami in cevmi.** Stik ali uporaba v bližini zakopanih vodovodnih ali plinskih napeljav lahko povzroči pokanje vodovodnih napeljav in eksplozijo plinskih napeljav, kar lahko povzroči resne poškodbe ali smrt.
- **Nikoli ne delajte s hitrostjo, ki je višja od največje nazivne hitrosti svedra.** Pri višjih hitrostih se sveder lahko upogne, če se prosto vrti, ne da bi se dotaknil obdelovanca, kar lahko povzroči telesne poškodbe.
- **Strojev, ki delujejo na baterije, ni treba priključiti na električno vtičnico; zato so vedno v delovnem stanju.** Zavedajte se možnih nevarnosti, tudi ko stroj ne deluje. Bodite previdni pri vzdrževanju ali servisiranju.
- **Ne umivajte s cevjo; izogibajte se vdoru vode v motor in električne povezave.**
- **Rezila za led so zelo ostra. Pri vrtnanju lukenj ali zamenjavi rezil bodite izjemno previdni. Po vsaki uporabi namestite zaščito za rezilo.**
- **Pogosto preverjajte in se prepričajte, da je zaklepni vijak pritrjen na svoje mesto.**

**TA NAVODILA SHRANITE.** Pogosto jih preberite in jih uporabite za poučevanje drugih, ki uporabljajo to napravo. Če ta stroj komu posodite, posodite tudi ta navodila tudi za preprečevanje zlorabe izdelka in možnosti poškodb.

## TEHNIČNI PODATKI

Napetost		56 V
Navor		74 Nm
Hitrost v prostem teku ( $n_p$ )	Naprej	Nizka: 0-150/min Visoka: 0-210/min
	Vzratno	100/min
Teža (brez akumulatorja)		10,2 kg

## VSEBINA PAKETA (SL. A1)

### OPIS

#### SPOZNAJTE SVOJO POGONSKO ENOTO (sl. A1)

1. Levi ročaj
2. Desni ročaj
3. Izbirnik smeri/hitrosti vrtenja
4. Gumb za odklepanje
5. Stikalo za spreminjanje hitrosti
6. Gumb za sprostitve baterije
7. Indikator LED
8. Pogonska enota
9. Vrata za baterijski sklop
10. Nasadni ključ (10 mm)
11. Imbus ključ (5 mm)

SL

## SESTAVLJANJE

### NAMESTITEV ROČAJEV

1. Z vrati za baterijski sklop, obrnjenimi nazaj, vstavite cevi desnega in levega ročaja v ukrivljene reže na podnožju pogonske enote (sl. B1).
2. Dve luknji v vsaki cevi ročaja poravnajte z dvema luknjama v vsaki osnovni reži.
 

**OPOMBA:** Nepravilna desna/leva namestitev ročajev bo preprečila poravnavo teh lukenj.
3. Uporabite 8 kompletov vijakov, podložk in matic, da pritrđite ročaje na napajalno glavo. S ključem in imbus ključem 5 mm jih varno privijte (sl. B2).
4. Poravnajte puščico na kablu desnega ročaja s puščico na kablu pogonske enote. Nato kabelski vtič desnega ročaja vstavite v kabelsko vtičnico pogonske enote. Trdno jih zategnite (sl. B2).

**OBVESTILO:** Da preprečite poškodbe kabla, ga med sestavljanjem ne upogibajte ali zvijajte.

B1-1	Desni ročaj	B1-2	Levi ročaj
B1-3	Vrata za baterijski sklop	B2-1	Vijak
B2-2	Podložka	B2-3	Matica
B2-4	Kabelski vtič	B2-5	Kabelska vtičnica

## NAMEŠČANJE PRIKLJUČKA NA POGONSKO ENOTO

**⚠ OPOZORILO:** prebrati in razumeti morate celoten priročnik z navodili ter upoštevati vsa opozorila in navodila za vsak izbirni priključek, ki ga uporabite s to pogonsko enoto. Neupoštevanje navodil lahko vodi do električnega udara, požara in/ali resnih telesnih poškodb.

**⚠ OPOZORILO:** Ta 56 V pogonska enota PHA7400E je zasnovana za uporabo samo z modeli nastavkov EGO, ki so navedeni v tem uporabniškem priročniku ali jih je EGO naknadno uvedel za uporabo s to napajalno glavo. Uporaba drugih nepooblaščenih priključkov lahko povzroči hude telesne poškodbe ali materialno škodo.

**⚠ OPOZORILO:** Nikoli ne nameščajte, odstranjujte ali prilagajajte priključkov, če pogonska enota deluje oz. je baterija nameščena. Če ne zaustavite motorja in odstranite baterije, lahko pride do hudih telesnih poškodb. **POGONSKE ENOTE NIKOLI NE UPORABLJAJTE BREZ PRIKLJUČKA.**

**SL**

## UPRAVLJANJE

### PRIKLJUČITEV/ODKLOP BATERIJSKEGA SKLOPA

Napravo uporabljajte samo z baterijskimi sklopi in polnilniki EGO, navedenimi na sliki A2.

**Pred prvo uporabo baterijo popolnoma napolnite.**

#### Napotki za priključitev

Rebra baterije poravnajte z režami za namestitev in baterijski sklop potisnite navzdol, da zaslišite klik (sl. C1).

#### Napotki za odklop

Pritisnite gumb za sprostitvev baterije in izvlecite baterijski sklop (sl. C2).

C1-1	Reža za montažo	C1-2	Rebro
C2-1	Gumb za sprostitvev baterije		

### ZAGON/ZAUSTEVITEV POGONSKE ENOTE (sl. D)

- Če želite vklopiti napajalno glavo, pritisnite in držite gumb za zaklepanje in nato stisnite sprožilno stikalo za spreminjanje hitrosti. Sprostite gumb za odklepanje in še naprej stiskajte sprožilec stikala za nadaljevanje delovanja.

**OPOMBA:** Stikalo za spreminjanje hitrosti zagotavlja višjo hitrost s povečanim pritiskom na sprožilec in nižjo hitrost z zmanjšanim pritiskom na sprožilec.

- Če želite izklopiti pogonsko enoto, spustite sprožilno stikalo in pustite, da se sveder popolnoma ustavi.

D-1	Gumb za odklepanje	D-2	Stikalo za spreminjanje hitrosti
-----	--------------------	-----	----------------------------------

### IZBIRA SMERI VRTNJA IN HITROSTI (sl. E)

Z desno roko primate desni ročaj.

- Potisnite izbirnik v položaj "2", da aktivirate vrtenje naprej pri visoki hitrosti.
- Potisnite izbirnik v položaj "1", da aktivirate vrtenje naprej pri nizki hitrosti.
- Potisnite izbirnik v položaj "R", da aktivirate vzvratno vrtenje.

**OPOMBA:** Preklop smeri vrtenja med naprej in nazaj je možen le, ko je pogonska enota ustavljena.

**OPOMBA:** Prilagoditev hitrosti naprej je mogoče doseči kadarkoli, ne glede na to, ali je pogonska enota zagnana ali ustavljena.

E-1	Izbirnik smeri/hitrosti vrtenja
-----	---------------------------------

## INDIKATOR STANJA

Pogonska enota svedra ima LED indikator stanja za prikaz delovnega statusa stroja. Indikator napajanja bo zasvetil samo, ko se pogonska enota zažene.

LED-INDIKATOR STANJA	DELOVNI POGOJI	DEJANJE
Sveti zeleno	Pogonska enota deluje pravilno.	Normalno delovanje. Ukrepanje ni potrebno.
Sveti rdeče	Pogonska enota je preobremenjena.	Spustite sprožilec, dvignite sveder iz luknje in preverite vzroke za preobremenitev. Morda boste morali poiskati drugo mesto za kopanje, če se je stroj ustavil zaradi velike ovire. Če težave ni mogoče rešiti, se za popravilo obrnite na službo za pomoč strankam EGO.
	Pogonska enota je prehladna.	Sprostite sprožilec. Sveder odnesite na toplo, da se ogreje.
Sveti oranžno	Zaščita proti povratnemu udarcu.	Spustite sprožilec, dvignite sveder iz luknje. Ponovno zaženite sveder in ga nežno spustite nazaj v luknjo.
Utripa rdeče	Baterijski sklop je skoraj izprazenjen.	Napolnite baterijski sklop.
Utripa oranžno	Pogonska enota je pregreta.	Ustavite sveder in počakajte nekaj časa, da se sveder ohladi.
Izmenično utripa zelena in rdeča.	Napaka v komunikaciji.	Za popravilo se obrnite na podporo za kupce izdelkov EGO.
Ni luči.	Če indikator LED na enem ali obeh baterijskih sklopih utripa oranžno ali sveti rdeče, so baterije pregrete.	Dovolite, da se baterijski sklop ohladi ali ogreje.
	Druga napaka elektronike.	Za popravilo se obrnite na podporo za kupce izdelkov EGO.

**SL**

## VZDRŽEVANJE

**⚠ OPOZORILO:** Da preprečite resne telesne poškodbe, odstranite baterijo iz izdelka pred servisiranjem, čiščenjem, menjavo priključkov ali odstranjevanjem materiala iz enote.

### SPLOŠNO VZDRŽEVANJE

Pri čiščenju plastičnih delov ne uporabljajte topil. Večina vrst plastike se lahko pri uporabi različnih komercialnih topil poškoduje. Umazanijo, prah, olje, mast itd. odstranite s čisto krpo.

**⚠ OPOZORILO:** Zavorna tekočina, gorivo, izdelki na osnovi naftnih derivatov, prodirajoče olje nikoli ne smejo priti v stik s plastičnimi deli. Kemikalije lahko poškodujejo, oslabijo ali uničijo plastiko, kar lahko povzroči hude telesne poškodbe.

## SKLADIŠČENJE POGONSKE ENOTE

1. Odstranite baterijski sklop iz pogonske enote.
2. Pred skladiščenjem pogonsko enoto temeljito očistite.
3. Sesalnik shranjujte v suhem in dobro zračenem prostoru, ki ga je mogoče zakleniti ali je dvignjen in izven dosega otrok. Pogonske enote ne shranjujte na ali v bližini gnojil, bencina ali drugih kemikalij.

## VAROVANJE OKOLJA



Električne opreme, rabljene baterije in polnilnika ne odvrzite med gospodinjске odpadke! Izdelek odnesite v pooblaščen obrat za recikliranje in ga zavrzite ločeno. Električna orodja je treba odnesti na obrat za recikliranje in ga reciklirati na okolju prijazen način.



## ODPRAVLJANJE TEŽAV

Oglejte si priročnik z navodili ustreznega priključka.

## GARANCIJA

### GARANCIJSKA POLITIKA DRUŽBE EGO

Za popolne pogoje garancijske politike družbe EGO obiščite spletno mesto [egopowerplus.eu](http://egopowerplus.eu).

SL

## PERSKAITYKITE VISAS INSTRUKCIJAS!



PERSKAITYKITE NAUDOTOJO VADOVĄ

**⚠️ ĮSPĖJIMAS.** Kad būtų užtikrintas saugumas ir patikimumas, visus remonto darbus turi atlikti kvalifikuotas techninės priežiūros specialistas.

## SAUGOS SIMBOLIAI

Saugos simbolių paskirtis – atkreipti dėmesį į galimus pavojus. Gerai susipažinkite su saugos simboliais bei jų paaiškinimais ir juos įsidėmėkite. Simbolių įspėjimai patys savaime negali apsaugoti nuo pavojų. Jais žymimi nurodymai ir įspėjimai neatstoja tinkamų nelaimingų atsitikimų prevencijos priemonių.

**⚠️ ĮSPĖJIMAS.** Prieš pradėdami naudoti šį įrenginį, perskaitykite visus šiame naudotojo vadove pateiktus saugos nurodymus, įskaitant visus saugos įspėjamaisiais simboliais, tokiais kaip „**PAVOJUS**“, „**ĮSPĖJIMAS**“ ir „**DĖMESIO**“, pažymėtus nurodymus, bei įsitikinkite, kad juos supratote. Nesilaikant visų toliau išdėstytų nurodymų galima patirti elektros smūgį, sukelti gaisrą ir (ar) sunkiai susižaloti.

## SAUGOS NURODYMAI

Šiame puslapyje pavaizduoti ir aprašyti saugos simboliai, kurie gali būti nurodyti ant šio gaminio. Prieš bandydami surinkti ir naudoti įrenginį, perskaitykite visus ant jo pateiktus nurodymus, įsitikinkite, kad juos supratote, ir jais vadovaukitės.



Įspėjimas dėl saugos



Norėdamas sumažinti susižalojimo pavojų, naudotojas privalo perskaityti naudojimo instrukciją.



Užsidėti klausos apsaugos priemonę



Užsidėti apsauginius akinius



Netinkamus naudoti elektrinius gaminius draudžiama išmesti kartu su buitinėmis atliekomis. Pristatyti įgaliotam perdirbėjui.



Šis gaminytis atitinka taikomas EB direktyvas.

LT



Nuolatinė srovė



Įvertinta JK atitiktis

V Įtampa

kg Kilogramai

IPX4 Apsauga nuo vandens pusrū.

## BENDRIEJI ĮSPĖJIMAI DĖL ĮRENGINIO NAUDOJIMO SAUGOS

**⚠ ĮSPĖJIMAS.** Perskaitykite ir peržiūrėkite visus su šiuo įrenginiu pateiktus saugos nurodymus, instrukcijas, paveikslėlius ir specifikacijas. Nesilaikant visų toliau išdėstytų nurodymų galima patirti elektros smūgį, sukelti gaisrą ir (ar) sunkiai susižaloti.

Išsaugokite visas instrukcijas su įspėjimais, nes jų gali prireikti ateityje.

### SAUGA DARBO VIETOJE

- Darbo vieta turi būti švari ir gerai apšviesta. Jei darbo vieta netvarkinga ar blogai apšviesta, gali įvykti nelaimingas atsitikimas.
- Nedirbkite su įrenginiu sprogoje aplinkoje, pvz., ten, kur yra degių skysčių, benzino ar dulkių. Įrenginys kibirkščiuoja, o kibirkštys gali uždegti dulkes arba garus.
- Dirbdami su įrenginiu neleiskite artintis vaikams ir pašaliniam asmenims. Dėl dėmesio blaškymo įrenginio galite nesuvaldyti.

### ELEKTROS SAUGA

- Elektrinio įrenginio kištukas turi tikti elektros lizdui. Niekada jokiais būdais kištuko neperdarykite. Su įžemintais elektriniais įrenginiais nenaudokite jokių kištuko adapterių. Originalūs kištukai, tiksliai tinkantys elektros tinklo lizdui, sumažina elektros smūgio pavojų.
- Nesilieskite prie įžemintų paviršių, pavyzdžiui, vamzdžių, radiatorių, viryklių ir šaldytuvų. Jei jūsų kūnas bus įžemintas, padidės elektros smūgio pavojus.
- Nelaikykite įrenginių lietuje ar drėgnoje aplinkoje. Vandeniui patekus į įrenginį, padidėja pavojus patirti elektros smūgį.
- Atsargiai elkitės su maitinimo laidu. Niekada nenaudokite laido nešimui, traukimui arba įkroviklio atjungimui nuo maitinimo tinklo. Saugokite laidą nuo kaitros šaltinių, alyvos, aštrių briaunų ir judančių dalių. Pažeidus arba supainiojus laidus išauga pavojus patirti elektros smūgį.
- Kai su elektriniu įrenginiu dirbate lauke, naudokite laukui skirtą laido ilgintuvą. Naudojant laukui skirtą maitinimo laidą sumažėja pavojus patirti elektros smūgį.
- Jei nėra galimybės išvengti elektrinio įrenginio naudojimo drėgnoje vietoje, naudokite maitinimo šaltinį, apsaugotą nuotėkio rele. Naudojant nuotėkio relę sumažėja pavojus patirti elektros smūgį.

### ASMENS SAUGA

- Naudodami įrenginį būkite budrus, stebėkite, ką darote, ir vadovaukitės sveika nuovoka. Nedirbkite su įrenginiu, jei esate pavargę arba vartojote narkotikus, alkoholį ar medikamentus. Neatidumo akimirka dirbant su įrenginiais gali lemti sunkią traumą.
- Naudokite asmeninės apsaugos priemones. Visada būkite su apsauginiais akiniais. Atitinkamomis sąlygomis naudojamos apsaugos priemonės, pvz., respiratorius, neslidūs apsauginiai batai, šalmas arba ausinės, sumažina pavojų susižaloti.
- Apsisaugokite nuo atsitiktinio įjungimo. Prieš jungdami įrenginį prie maitinimo šaltinio ir (ar) sudėtinės baterijos, prieš įrenginį keldami arba nešdami įsitikinkite, kad jungiklis yra išjungimo padėtyje. Nešant elektrinius įrenginius uždejus pirštą ant jungiklio arba netyčia įjungiant įrenginį su įjungtu jungikliu, gali įvykti nelaimingas atsitikimas.
- Prieš įjungdami įrenginį patraukite į šalį visus reguliavimo raktus ir veržliarakčius. Įrenginio sukamojoje dalyje likus raktui ar veržliarakčiui galima susižaloti.
- Nesistenkite pasiekti pernelyg toli. Visada stovėkite tvirtai ir išlaikykite pusiausvyrą. Taip geriau suvaldysite įrenginį netikėtose situacijose.
- Dėvėkite tinkamus drabužius. Nedėvėkite laisvų drabužių ir nenešiokite laisvai kabančių papuošalų. Saugokite savo plaukus ir drabužius nuo judančių dalių. Laisvus drabužius, papuošalus ar ilgus plaukus gali įtraukti judamosios dalys.
- Jei yra įtaisai, skirti dulkių išsiurbimo ir surinkimo įtaisams prijungti, tinkamai juos prijunkite ir naudokite. Naudojant dulkių surinkimo įtaisus, gali sumažėti su dulkėmis susijusių pavojų.
- Net ir dažnai naudodami įrenginius, pernelyg savimi nepasitikėkite ir nepraraskite budrumo, laikykitės saugaus įrenginio naudojimo taisyklių. Užtenka akimirkos išsiblaškyti, kad dėl neatsargaus veiksmo sunkiai susižalotumėte.

### ĮRENGINIO NAUDOJIMAS IR PRIEŽIŪRA

- Įrenginio pernelyg nespauskite. Naudokite jį su darbu tinkamą įrenginį. Veikdamas numatytuju greičiu, tinkamas įrenginys darba atlieka veiksmingiau ir saugiau.
- Nenaudokite įrenginio, jeigu jungiklis jo neįjungia ir neišjungia. Bet koks įrenginys, kurio negalima valdyti jungikliu, yra pavojingas ir turi būti suremontuotas.
- Prieš reguliuodami įrenginį, keisdami jo priedus arba padėdami jį į laikymo vietą, atjunkite kištuką



nuo maitinimo šaltinio ir (ar) išimkite sudėtinę bateriją. Tokia saugumo priemonė apsaugos jus nuo netyčinio įrenginio įjungimo.

- **Nenaudojamą įrenginį laikykite vaikams neprieinamoje vietoje ir neleiskite įrenginio naudoti asmenims, kurie nėra susipažinę su jo naudojimu ar šiomis instrukcijomis.** Neapmokytų žmonių naudojami įrenginiai kelia pavojų.
- **Priziūrėkite įrenginį ir jo priedus.** Patikrinkite, ar judančios dalys išcentruotos ir nekliūna, ar nėra sulūžusių dalių ir bet kokių kitų aplinkybių, galinčių daryti įtaką įrenginio veikimui. Jei įrenginys pažeistas, prieš naudodami jį suremontuokite. Dauguma nelaimingų atsitikimų įvyksta dėl prastai priziūrimų įrenginių.
- **Pjovimo įrenginiai turi būti aštrūs ir švarūs.** Tinkamai priziūrimi pjovimo įrenginiai su aštriais peiliais rečiau stringa ir lengviau valdomi.
- **Įrenginį, jo priedus, antgalius ir kitas dalis naudokite pagal šias instrukcijas, atsižvelgdami į darbo sąlygas ir atliekamą darbą.** Naudojant įrenginį ne pagal paskirtį gali susidaryti pavojingos aplinkybės.
- **Rankenos ir sugriebimo paviršiai turi būti sausi, švarūs ir neištepti alyva ar tepalu.** Dėl slidžių rankenų ir laikymo paviršių įrenginį sunku saugiai valdyti ir jis gali išsprūsti netikėtomis aplinkybėmis.

#### AKUMULIATORINIO ĮRENGINIO NAUDOJIMAS IR PRIEŽIŪRA

- **Kraukite naudodami tik gamintojo nurodytą įkroviklį.** Įkroviklis, tinkamas vieno tipo sudėtinėi baterijai, gali kelti gaisro pavojų, jei naudojamas su kito tipo sudėtinė baterija.
- **Įrenginius naudokite tik su jiems skirtomis sudėtinėmis baterijomis.** Naudojant kitokias sudėtines baterijas gali kilti sužalojimų ir gaisro pavojus.
- **Nenaudojama sudėtinė baterija turi būti laikoma atokiau nuo metalinių daiktų, tokių kaip sąvaržėlės, monetos, raktai, vinys, varžtai ar kiti smulkūs metaliniai daiktai, galintys sujungti abu baterijos gnybtus.** Įvykus trumpajam jungimui tarp baterijos gnybtų galima nusidiegti ar gali kilti gaisras.
- **Dėl netinkamų sąlygų iš baterijos gali ištekėti skystis – nelieskite jo.** Skysčiu atsitiktinai patekus ant odos, nedelsdami nuplaukite vandeniu. Jeigu skysčio pateko į akis, papildomai kreipkitės pagalbos į gydytojus. Iš baterijos ištekėjęs skystis gali dirginti arba nudeginti.
- **Nenaudokite pažeistos ar modifikuotos baterijos ar įrenginio.** Tokios netinkamos sudėtinės baterijos gali kelti gaisro, sprogimo ar sužalojimo pavojų.

- **Sudėtinės baterijos ar įrenginio negalima deginti ar kaitinti.** Bateriją deginant ar kaitinus virš 130 °C ji gali sprogti.
- **Laikykites įrenginio ar sudėtinės baterijos įkrovimo instrukcijų ir juos kraukite nurodytame temperatūrų diapazone.** Priešingu atveju galite sugadinti bateriją ar net sukelti gaisrą.

#### TECHNINĖ PRIEŽIŪRA

- **Įrenginio techninę priežiūrą gali vykdyti tik kvalifikuotas specialistas, sugedusias dalis keičiantis tik originaliomis atsarginėmis dalimis.** Taip užtikrinsite savo įrenginio saugą.
- **Niekada neremontuokite sugadintų sudėtinų baterijų.** Sudėtinės baterijas techniškai priziūrėti gali tik gamintojas arba įgalioto techninės priežiūros centro specialistai.

## ĮSPĖJIMAI DĖL ELEKTRINĖS GALVUTĖS NAUDOJIMO SAUGOS

- **Šią elektrinę galvutę PHA7400E galima naudoti tik su toliau lentelėje išvardytais EGO įtaisais arba įtaisais, kuriuos EGO išleis ateityje ir kurie bus skirti naudoti su šia elektrine galvute:**

ĮTAISO TIPAS	MODELIO NUMERIS
Žemės grąžtas	ETA0800E
Ledo grąžtas	ITA0800E


- **Pakeiskite įtrūkusius, sulenktus ar kaip nors kitaip pažeistus grąžtus.** Naudojant įrenginį su pažeistu sraigtu galima sunkiai susižaloti.
- **Niekada nenaudokite grąžto, jeigu jo rankenos iškilę virš juosmens lygio.** Taip apribojamas grąžto valdymas ir gali išaugti sužalojimo pavojus.
- **Įrenginį laikykite abiem rankomis už tam skirtų rankenų.** Nesuvaldę įrenginio galite susižaloti.
- **Elektrinį įrenginį laikykite tik už izoliuoto, laikymui skirto paviršiaus, nes gręžiant grąžtas gali prisiliesti prie paslėpto elektros laido.** Grąžtų pažeidus laidą, kuriuo teka elektros srovė, neizoliuotose metalinėse elektrinio įrankio dalyse taip pat gali atsirasti srovė, dėl kurios naudotojas gali patirti elektros smūgį.
- **Kad sumažintumėte elektros smūgio pavojų, niekada negręžkite šalia požeminių elektros kabelių.** Gręždami šalia požeminių elektros kabelių ar juos užkliudę galite sunkiai susižaloti arba patirti mirtiną elektros smūgį.

LT

- Visada pradėkite gręžti mažu greičiu ir prispaudę grąžtą prie žemės. Grąžtūi laisvai sukantis didesniu greičiu ir neliečiant žemės, jis gali sulinkti ir sužaloti.
- Grąžtą spauskite tik tiesiai ir nespauskite per stipriai. Grąžtas gali sulinkti ir sulūžti arba galite nesuvaldyti gręžtuvo ir susižaloti.
- Visada tvirtai stovėkite. Kai įrenginį naudojate aukštai esančiose vietose, įsitikinkite, kad apačioje niekas nestovi.
- Įrenginį tvirtai laikykite.
- Nekiškite rankų prie sukamųjų dalių.
- Nepalikite veikiančio įrenginio. Įrenginį valdykite tik laikydami rankomis.
- Nelieskite grąžto iš karto po gręžimo. Jis gali būti labai įkaitęs ir nudeginti odą.
- Jeigu su įrenginiu kažkas atsitinka, pavyzdžiui, sklinda neįprasti garsai, nedelsdami nutraukite darbą ir kreipkitės į vietinį techninės priežiūros centrą, kad įrenginį sutvarkytų.
- Kad sumažintumėte sproginimo pavojų, grąžto niekada nenaudokite šalia bet kokių požeminių dujų vamzdynų, įskaitant vandentiekio linijas. Grąžtūi pažeidus požemines vandentiekio ar dujų linijas arba jį naudojant šalia jų, vandentiekio ar dujų linijos gali sprogti ir sunkiai ar net mirtinai sužaloti.
- Niekada nenaudokite didesnio nei didžiausias grąžto gręžimo greitis. Grąžtūi laisvai sukantis didesniu greičiu ir neliečiant ruošinio, jis gali sulinkti ir sužaloti.
- Įrenginių su baterijomis nereikia jungti į elektros lizdą, dėl to jie visada yra darbinės būsenos. Net įrankiui neveikiant neužmirškite apie jo keliamus pavojus. Būkite atidūs vykdydami remonto ar techninės priežiūros darbus.
- Neplaukite vandens žarna. Saugokite, kad vandens nepatektų ant variklio ir elektros jungčių.
- Ledo grąžto geležtės yra labai aštrios. Būkite ypač atsargūs gręždami kiaurymę arba keisdami geležtes. Po kiekvieno naudojimo uždėkite geležčių apsaugą.
- Dažnai tikrinkite ir įsitikinkite, kad fiksavimo varžtas pritvirtintas savo vietoje.

**PASILIKITE ŠIAS INSTRUKCIJAS.** Dažnai jas paskaitykite ir panaudokite kitiems asmenims, kuriems patikėsite šį įrenginį, apmokyti. Jei kam nors skolinatė šį įrenginį, perduokite ir šias instrukcijas; taip užkirsite kelią netinkamam gaminio naudojimui ir galimiems sužeidimams.

## TECHINIAI DUOMENYS

Įtampa	56 V 	
Sukimo momentas	74 Nm	
Greitis be apkrovos (n <sub>0</sub> )	Pirmyn	Mažas: 0–150 /min. Didelis: 0–210 /min.
	Atgal	100 /min.
Svoris (be sudėtinės baterijos)	10,2 kg	

## PAKUOTĖS TURINIO SĄRAŠAS (A1 PAV.)

### APRAŠYMAS

#### SUŽINOKITE, KAIP VEIKIA ELEKTRINĖ GALVUTĖ (A1 pav.)

1. Kairioji rankena
2. Dešinioji rankena
3. Sukimosi krypties / greičio selektorius
4. Blokuotės išjungimo mygtukas
5. Greičio reguliavimo jungiklis
6. Baterijos atjungimo mygtukas
7. LED indikatorius
8. Elektrinė galvutė
9. Sudėtinės baterijos lizdas
10. Lizdinis veržliaraktis (10 mm)
11. Šešiabriaunis raktas (5 mm)

### SURINKIMAS

#### RANKENŲ TVIRTINIMAS

1. Sudėtinės baterijos lizdą atsukę atgal, įkiškite dešinėsios ir kairėsios rankenų vamzdelius į išlenktas elektrinės galvutės pagrindo angas (B1 pav.).
  2. Sulygiuokite abi angas kiekviename rankenos vamzdyje su abiem angomis kiekvienoje pagrindo angoje.
- PASTABA.** Neteisingai sukeitus dešiniąją ir kairiąją rankenas vietomis, šios angos nesutaps.
3. Rankenas prie elektrinės galvutės pritvirtinkite 8 varžtų, poveržlių ir veržlių rinkiniais. Veržliarakčiu ir 5 mm šešiabriauniu raktu varžtus tvirtai priveržkite (B2 pav.).

4. Sulygiuokite rodyklę ant dešinėsios rankenos kabelio su rodykle ant elektrinės galvutės kabelio. Tuomet įkiškite dešinėsios rankenos kabelio kištuką į elektrinės galvutės kabelio lizdą. Tvirtai juos priveržkite (B2 pav.).

**PASTABA.** Kad nepažeistumėte kabelio, jungdami jo nelenkite ir nesukite.

B1-1	Dešinioji rankena	B1-2	Kairioji rankena
B1-3	Sudėtinės baterijos lizdas	B2-1	Varžtas
B2-2	Poveržlė	B2-3	Veržlė
B2-4	Kabelio kištukas	B2-5	Kabelio lizdas

#### ELEKTRINĖS GALVUTĖS ĮTAISO TVIRTINIMAS

**⚠️ ĮSPĖJIMAS.** Atidžiai perskaitykite ir išnagrinėkite kiekvieno papildomo įtaiso, naudojamo su elektrine galvute, naudojimo instrukciją, laikykitės visų įspėjimų ir nurodymų. Nesilaikant visų nurodymų galima patirti elektros smūgį, sukelti gaisrą ir (ar) sunkiai susižaloti.

**⚠️ ĮSPĖJIMAS.** Ši 56 V elektrinė galvutė PHA7400E skirta naudoti tik su EGO įtaisų modeliais, nurodytais šiame naudotojo vadove, arba įtaisais, kuriuos EGO išleis ateityje ir kurie bus skirti naudoti su šia elektrine galvute. Naudodami kitus, nerekomenduojamus įtaisy galite sunkiai susižaloti arba sugadinti turą.

**⚠️ ĮSPĖJIMAS.** Niekada nemontuokite, neišmontuokite ir nereguliuokite įtaisų, kol veikia elektrinė galvutė arba yra įdėta baterija. Nesustabdę variklio ir neišėmę baterijos galite sunkiai susižaloti. **NIEKADA NENAUDOKITE ELEKTRINĖS GALVUTĖS BE ĮTAISO.**

## NAUDOJIMAS

#### SUDĖTINĖS BATERIJOS ĮSTATYMAS IR IŠĖMIMAS

Naudokite tik A2 pav. pateiktas EGO sudėtinės baterijas ir įkroviklius.

**Prieš bateriją naudodami pirmą kartą, visiškai ją įkraukite.**

#### Įstatymas

Įtaikykite sudėtinės baterijos briaunas į tvirtinimo griovelius ir spauskite bateriją žemyn, kol išgirsite spragtelėjimą (C1 pav.).

#### Išėmimas

Nuspauskite sudėtinės baterijos atjungimo mygtuką ir bateriją ištraukite (C2 pav.).

C1-1	Tvirtinimo griovelis	C1-2	Briauna
C2-1	Baterijos atjungimo mygtukas		

#### ELEKTRINĖS GALVUTĖS PALEIDIMAS IR SUSTABDYMAS (D pav.)

- **Elektrinei galvutei įjungti** paspauskite ir laikykite nuspaudę blokuotės išjungimo mygtuką, o po to paspauskite greitį reguliuojantį paleidimo jungiklį. Atleiskite blokuotės išjungimo mygtuką ir toliau laikykite nuspaudę paleidimo jungiklį, kad įrenginys nuolat veiktų.

**PASTABA.** Greitis didėja, greitį reguliuojantį pagrindinį jungiklį spaudžiant stipriau, ir mažėja, jį spaudžiant silpniau.

- **Elektrinei galvutei išjungti** atleiskite paleidimo jungiklį ir palaukite, kol grąžtas nustos sukstis.

D-1	Blokuotės išjungimo mygtukas	D-2	Greitį reguliuojantis paleidimo jungiklis
-----	------------------------------	-----	---

#### SUKIMOSI KRYPTIES IR GREIČIO PARINKIMAS (E pav.)

Dešinė ranka laikykite dešiniąją rankeną.

- Pastumkite selektorių į „2“ padėtį, kad įjungtumėte grąžto sukimą pirmyn dideliu greičiu.
- Pastumkite selektorių į „1“ padėtį, kad įjungtumėte grąžto sukimą pirmyn mažu greičiu.
- Pastumkite selektorių į „R“ padėtį, kad įjungtumėte grąžto sukimą atgal.

**PASTABA.** Perjungti grąžto sukimo kryptį iš „pirmyn“ į „atgal“ ir atvirkščiai galima tik tuomet, kai elektrinė galvutė sustabdyta.

**PASTABA.** Sukimo greitį pirmyn galima reguliuoti bet kurio metu, nepriklausomai nuo to, ar elektrinė galvutė paleista ar sustabdyta.

E-1	Sukimosi krypties / greičio selektorius
-----	---

LT

## BŪSENOS INDIKATORIUS

Grąžo elektrinėje galvutėje įtaisytas LED būsenos indikatorius, rodantis įrenginio darbinę būseną. LED indikatorius šviečia tik paleidus elektrinę galvutę.

LED BŪSENOS INDIKATORIUS	VEIKIMO BŪSENA	VEIKSMAS
Šviečia žalia lemputė	Elektrinė galvutė veikia tinkamai.	Įprastas veikimas. Nieko nereikia daryti.
Šviečia raudona lemputė	Elektrinė galvutė yra perkrauta.	Atleiskite paleidimo jungiklį, iškelkite grąžtą iš gręžiamos angos ir patikrinkite, ar nėra perkrovos priežasčių. Jei dėl didelės kliūtis įrenginys sustoja, gali tekti paieškoti kitos gręžimo vietos. Jei problemos išspręsti nepavyksta, kreipkitės į EGO klientų aptarnavimo tarnybą dėl remonto.
	Elektrinė galvutė pernelyg atšalus.	Atleiskite paleidimo jungiklį. Įneškite grąžtą į patalpą, kad sušiltų.
Šviečia oranžinė lemputė	Apsauga nuo atitranskos.	Atleiskite paleidimo jungiklį ir iškelkite grąžtą iš gręžiamos angos. Vėl įjunkite grąžtą ir atsargiai įleiskite atgal į angą.
Mirksi raudona lemputė	Sudėtinė baterija beveik išsikrovusi.	Įkraukite sudėtinę bateriją.
Mirksi oranžinė lemputė	Elektrinė galvutė perkaitusi.	Sustabdykite grąžtą ir šiek tiek palaukite, kad atvėstų.
Pakaitomis mirksi žalia ir raudona lemputės.	Ryšio triktis.	Kreipkitės į „EGO“ klientų aptarnavimo tarnybą dėl remonto.
Indikatorius nešviečia.	Jei LED indikatoriuje ant sudėtinės baterijos mirksi oranžinė arba šviečia raudona lemputė, tai reiškia, kad sudėtinė baterija perkaito.	Palaukite, kol sudėtinė baterija atvės, ir vėl paleiskite grąžtą.
	Kita elektronikos klaida.	Kreipkitės į „EGO“ klientų aptarnavimo tarnybą dėl remonto.

LT

## PRIEŽIŪRA

**⚠️ ĮSPĖJIMAS.** Kad išvengtumėte sunkių traumų, prieš vykdydami priežiūros procedūras, valydami, keisdami įtaisus arba šalindami šiukšles iš įrenginio, išimkite sudėtinę bateriją.

### BENDROJI PRIEŽIŪRA

Plastikinių dalių nevalykite tirpikliais. Įvairūs komerciniai tirpikliai gali pažeisti įvairių tipų plastiką ir jų naudoti nerekomenduojama. Purvą, dulkes, alyvą, tepalą ir pan. nuvalykite švaria šluoste.

**⚠️ ĮSPĖJIMAS.** Saugokite plastikinės dalis, kad ant jų nepatektų stabdžių skysčiai, benzinas, naftos produktai, skvarbi alyva ir pan. Cheminės medžiagos plastiką gali sugadinti, susilpninti arba suardyti. Dėl to galite sunkiai susižaloti.

## ELEKTRINĖS GALVUTĖS LAIKYMAS

1. Iš elektrinės galvutės išimkite sudėtinę bateriją.
2. Prieš padėdami į laikymo vietą elektrinę galvutę kruopščiai nuvalykite.
3. Elektrinę galvutę laikykite sausoje, gerai vėdinamoje, rakinamoje patalpoje arba aukštai, vaikams neprieinamoje vietoje. Nelaikykite elektrinės galvutės ant arba šalia trašų, benzino ar kitų cheminių medžiagų.

## APLINKOS APSAUGA



Neišmeskite elektros įrangos, panaudotų baterijų ir įkroviklio kartu su buitinėmis atliekomis! Šias atliekas reikia pristatyti į jų surinkimo vietą ar įgaliotam perdirbėjui. Elektrinius įrenginius reikia pristatyti į tokių atliekų perdirbimo įmonę.



## TRIKČIŲ ŠALINIMAS

Žr. atitinkamo papildomo įtaiso naudojimo instrukcija.

## GARANTIJA

### EGO GARANTIJOS TAISYKLĖS

Norėdami sužinoti visas EGO garantijos sąlygas ir nuostatas, apsilankykite interneto svetainėje adresu [egopowerplus.eu](http://egopowerplus.eu).

LT

## IZLASIET VISUS NORĀDĪJUMUS!



IZLASIET LIETOTĀJA ROKASGRĀMATU

**⚠ BRĪDINĀJUMS!** Lai garantētu drošu un uzticamu instrumenta darbību, visi remontdarbi jāveic kvalificētam servisa speciālistam.

## DROŠĪBAS APZĪMĒJUMS

Drošības apzīmējumi ir paredzēti, lai pievērstu jūsu uzmanību iespējamiem apdraudējumiem. Pievērsiet uzmanību drošības apzīmējumiem un to skaidrojumiem, un izprotiet tos. Brīdinājumu apzīmējumi paši par sevi nenovērš apdraudējumu. Tajos ietvertie norādījumu un brīdinājumu neizstāj atbilstošu negadījumu novēršanas pasākumu īstenošanu.

**⚠ BRĪDINĀJUMS!** Pirms šīs mašīnas lietošanas izlasiet un izprotiet visus šajā lietotāja rokasgrāmatā iekļautos drošības norādījumus, tostarp visus drošības brīdinājuma apzīmējumus, piemēram, „**BĪSTAMI!**”, „**BRĪDINĀJUMS!**” un „**UZMANĪBU!**”. Visu turpmāk uzskaitīto norādījumu neievērošana var izraisīt elektriskās strāvas triecienu, aizdegšanos un/ vai smagus miesas bojājumus.

## DROŠĪBAS INSTRUKCIJA

Šajā lapaspusē ir parādīti un aprakstīti drošības apzīmējumi, kas var būt norādīti uz šī izstrādājuma. Pirms instrumenta salikšanas un lietošanas izlasiet, izprotiet un ievērojiet visus norādījumus par instrumentu.



Drošības brīdinājums



Lai mazinātu traumu gūšanas bīstamību, lietotājam jāizlasa lietotāja rokasgrāmata.



Valkāt dzirdes aizsarglīdzekļus



Valkāt acu aizsarglīdzekļus

LV



Elektrisko izstrādājumu atkritumus nedrīkst izmest kopā ar sadzīves atkritumiem.  
Nogādājiet uz pilnvarotu pārstrādes punktu.



Šis izstrādājums atbilst piemērojamām EK direktīvām.



Līdzstrāva



Apvienotās Karalistes atbilstības novērtējums

V

Spriegums

kg

Kilograms

IPX4

Aizsardzība pret ūdens šļakatām

## VISPĀRĪGI DROŠĪBAS BRĪDINĀJUMI ATTIECĪBĀ UZ MAŠĪNĀM

**▲ BRĪDINĀJUMS!** Izlasiet visus šīs mašīnas dokumentācijā norādītos drošības brīdinājumus, norādījumus, specifiskācijas un aplūkojiet attēlus. Visu turpmāk uzskaitīto norādījumu neievērošana var izraisīt elektriskās strāvas triecienu, aizdegšanos un/vai smagus savainojumus.

Saglabājiet visus brīdinājumus un instrukcijas turpmākai atsaucei.

### DROŠĪBA DARBA ZONĀ

- **Uzturiet darba zonu tīru un labi apgaismotu.** Nesakārtotā un slikti apgaismotā darba zonā var notikt nelaimes gadījumi.
- **Nedarbiniet mašīnas eksplozivās vidēs, piemēram, uzliesmojošu šķidrumu, gāzu vai putekļu klātbūtnē.** Mašīnas var radīt dzirksteles, kas var aizdedzināt putekļus vai tvaikus.
- **Neļaujiet bērniem un klātesošajiem atrasties mašīnas tuvumā, kamēr tā darbojas.** Apjukuma brīdī jūs varat zaudēt vadību pār ierīci.

### ELEKTRODROŠĪBA

- **Instrumenta kontaktdakšai ir jāatbilst kontaktlīdzdai. Nekad nekādā veidā nepārveidojiet kontaktdakšu.** Neizmantojiet adaptera kontaktdakšas kopā ar iezemētām mašīnām. Lietojot nepārveidotas kontaktdakšas un atbilstošas kontaktlīdzdas, tiek samazināts elektriskās strāvas triecienu risks.
- **Nepieskarieties sazemētām virsmām, piemēram cauruļvadiem, radiatoriem, plītiem un ledusskapjiem.** Ķermenim sazemējoties, tiek palielināts elektriskās strāvas triecienu risks.
- **Nepakļaujiet instrumentus lietus vai mitru apstākļu iedarbībai.** Instrumentā iekļuvušais ūdens palielina elektriskās strāvas triecienu risku.
- **Nebojājiet strāvas vadu.** Nekādā gadījumā nenesiet, nevelciet vai neatvienojiet mašīnu aiz strāvas vada. Sargājiet strāvas vadu no karstuma, eļļas, asām malām vai kustīgām daļām. Bojāti vai sapinušies strāvas vadi palielina elektriskās strāvas triecienu risku.
- **Strādājot ar mašīnu ārpus telpām, izmantojiet tikai tādas pagarinātājus, kas ir paredzēti lietošanai ārpus telpām.** Āra darbiem paredzēta vada pagarinātāja izmantošana samazina elektriskās strāvas triecienu risku.

- **Ja nav iespējams izvairīties no iekārtas ekspluatācijas mitrā vidē, izmantojiet barošanas avotu, kas aizsargāts ar zemslēģumaizsardzību.** GFCI lietošana samazina elektriskās strāvas triecienu risku.

### PERSONĪGĀ DROŠĪBA

- **Izmantojot mašīnu, esiet modri, sekojiet līdzi savām darbībām un rīkojieties saprātīgi.** Nelietojiet mašīnu, ja esat noguruši vai atrodaties apreibinošu vielu, alkohola vai medikamentu ietekmē. Brīdis neuzmanības, darbojoties ar mašīnām, var izraisīt smagus savainojumus.
- **Izmantojiet individuālos aizsarglīdzekļus.** Vienmēr valkājiet acu aizsarglīdzekļus. Ja tiek lietots darba specifiskai atbilstošs aizsargaprīkojums, piemēram, maska ar putekļu filtru, neslidoši darba apavi, ķivere vai austiņas, samazinās traumu gūšanas risks.
- **Novērsiet nejaucas ieslēgšanās iespējamību.** Pirms mašīnas pievienošanas strāvas avotam un/vai akumulatoram pārliecinieties, ka slēdzis atrodas izslēgšanas pozīcijā. Pārmēsājot instrumentu ar pirkstu uz slēdža vai instrumentu pieslēdzot pie barošanas avota ar slēdzi ieslēgtā pozīcijā, jūs veicināt negadījumu veidošanos.
- **Pirms mašīnas ieslēgšanas noņemiet visas regulēšanas vai uzgriežņu atslēgas.** Uzgriežņu vai regulēšanas atslēga, kas palikusi piestiprināta pie mašīnas rotējošās daļas, var radīt savainojumus.
- **Nepārvērtējiet savas spējas.** Ieņemiet pareizu stāju un vienmēr saglabājiet līdzsvaru. Tas ļauj labāk kontrolēt mašīnu neparedzētās situācijās.
- **Valkājiet atbilstošu apģērbu.** Nevalkājiet vaļīgu apģērbu vai rotaslietas. Sargājiet matus, apģērbus un cimdus no kustīgajām daļām. Vaļīgs apģērbs, rotaslietas vai garī mati var iekļerties instrumenta kustīgajās daļās.
- **Ja ierīces ir paredzētas savienošanai ar putekļu nosūkšanas un savākšanas iekārtām, pārliecinieties, vai tās ir pieslēgtas un tiek izmantotas pareizi.** Putekļu savākšanas ierīču izmantošana var samazināt ar putekļiem saistītos apdraudējumus.
- **Nepieļaujiet, ka mašīnas bieža lietošana izraisa nevērīgu attieksmi darbā ar to, un neignorējiet ar mašīnas lietošanu saistītos drošības principus.** Viens brīdis neuzmanības var izraisīt nopietnas traumas.

### INSTRUMENTA IZMANTOŠANA UN KOPŠANA

- **Nepiespiediet mašīnu ar spēku.** Izmantojiet lietojuma nolūkam atbilstošu mašīnu. Pareizā mašīna nodrošinās labākus rezultātus un būs drošāks darba ātrums, kuram tas ir paredzēts.

LV

- Neizmantojiet mašīnu, ja ar slēdzis to nevar ieslēgt un izslēgt. Jebkura mašīna, kuru nevar vadīt ar slēdzi, ir bīstama, un tā ir jāsalabo.
- Pirms jebkādu pielāgojumu veikšanas, piederumu maiņas vai instrumenta novietošanas glabāšanā atvienojiet kontaktdakšu no barošanas avota un/ vai izņemiet no instrumenta akumulatoru, ja tas ir iespējams. Šie drošības pasākumi palīdzēs izvairīties nejaūšas mašīnas ieslēgšanas riska.
- Ja mašīna kādu laiku netiek lietota, uzglabājiet to bērniem nepieejamā vietā un neļaujiet ar mašīnu darboties personām, kas to nepārzina vai nav izlasījušas šo instrukciju. Mašīnas ir bīstamas, ja ar tām darbojas neapmācīti lietotāji.
- Uzturiet mašīnas un piederumus darba kārtībā. Pārbaudiet, vai kustīgās daļas nav zaudējušas savienojuma precizitāti, vai kāda detaļa nav salūzusī vai nav kāda cita kļūme, kas var ietekmēt mašīnas darbību. Ja ir radušies bojājumi, pirms lietošanas lieciet salabot mašīnu. Daudzus nelaimes gadījumus izraisa slikti uzturētas mašīnas.
- Mašīnām jābūt tīrām ar asiem asmeņiem. Rūpīgi koptas pļaujmašīnas ar asām griezējmaļām retāk iestrēgst un ir vieglāk vadāmas.
- Lietojiet mašīnu, tās piederumus un uzgaļus atbilstoši šiem norādījumiem, ņemot vērā darba apstākļus un veicamo uzdevumu. Mašīnas lietošana neparedzētiem mērķiem var radīt bīstamu situāciju.
- Rokturiem un satveršanas daļām jābūt sausām, tīrām un uz tām nedrīkst būt eļļa vai smērviela. Ja rokturi un satveršanas daļas ir mitras, tās novērsīs drošu mašīnas vadāmību un kontroli neparedzētās situācijās.

## LV

### AKUMULATORA INSTRUMENTA LIETOŠANA UN KOPŠANA

- Uzlādējiet aparātu tikai ar ražotāja noteikto lādētāju. Lādētājs, kas paredzēts lietošanai tikai ar viena veida akumulatoru bloku, var radīt aizdegšanās draudus, ja to izmanto kopā ar citu akumulatoru bloku.
- Lietojiet mašīnas kopā tikai ar tām paredzētiem akumulatoriem. Jebkura cita akumulatoru bloka lietošana var radīt traumu gūšanas un aizdegšanās risku.
- Kad akumulatoru bloks netiek izmantots, neglabājiet to citu metāla priekšmetu, piemēram, papīra saspaužu, monētu, atslēgu, naglu, skrūvju vai citu sīku metāla priekšmetu, kas var veidot savienojumu starp spailēm, tuvumā. Akumulatora spaiļu īsslēgums var izraisīt aizdegšanos vai ugunsgrēku.
- Nepareizas rīcības gadījumā no akumulatora var izteciēt šķidrums; izvairieties no saskares ar to. Ja tas nejaūši nokļuvis uz ādas, noskalojiet ar ūdeni.

Ja šķidrums iekļuvis acīs, nekavējoties meklējiet medicīnisko palīdzību. No akumulatora izkļušais šķidrums var izraisīt kairinājumu vai apdegumus.

- Nelietojiet bojātu vai pārveidotu akumulatoru vai mašīnu. Bojātu vai pārveidotu akumulatoru izmantošana var izraisīt neparedzamus apstākļus, kas rada aizdegšanās, sprādziena vai traumas gūšanas draudus.
- Nepakļaujiet akumulatoru vai mašīnu uguns liesmu vai pārmērīgas temperatūras iedarbībai. Uguns liesmu iedarbība vai temperatūra virs 130 °C var izraisīt sprādzienu.
- Izpildiet visas uzlādēšanas instrukcijas un neuzlādējiet akumulatoru vai mašīnu ārpus instrukcijās norādītajām temperatūras vērtībām. Ja iekārta tiek uzlādēta nepareizi vai tiek pārsniegtas instrukcijās norādītās uzlādēšanas temperatūras vērtības, akumulators var sabojāties un palielināt aizdegšanās risku.

### SERVISS

- Jūsu mašīnai remontu drīkst veikt tikai kvalificēts speciālists, kas izmanto tikai identiskas rezerves daļas. Tādējādi tiek saglabāta mašīnas ekspluatācijas drošība.
- Nekad neveiciet bojātam akumulatoru blokam remontdarbus pašrocīgi. Bojāta akumulatoru bloka remontdarbus drīkst veikt tikai ražotājs vai pilnvaroti servisa darbinieki.

## DROŠĪBAS BRĪDINĀJUMI ATTIECĪBĀ UZ INSTRUMENTGALVU

- Šo instrumentgalvu PHA7400E var izmantot kopā tikai ar šādām EGO piercēm vai jaunākām EGO piercēm, kas paredzētas izmantošanai kopā ar šo instrumentgalvu.

PALĪGIERĪCES TIPS	MODEĻA NUMURS
Zemes urbja mašīnas uzgaļis	ETA0800E
Ledus urbja mašīnas uzgaļis	ITA0800E

- Nomainiet urbju, ja tie ir saplaisājuši, saliekti vai jebkādā veidā bojāti. Darbinot urbja mašīnu ar bojātu uzgaļi, varat gūt nopietnas traumas.
- Nekad nelietojiet urbja mašīnu, ja rokturi atrodas augstāk par vidukļa līmeni. Tas ierobežo urbja mašīnas vadību un var palielināt traumu risku.
- Mašīnu turiet ar abām rokām pie paredzētajiem rokturiem. Vadības zaudēšana var izraisīt miesas bojājumus.



- Turiet mašīnu aiz izolētām satvērējvirsmām, veicot darbības, kurās urbšanas piederums var saskarties ar slēptiem vadiem. Nonākot saskarē ar strāvu vadošu vadu, urbšanas aprīkojums var radīt spriegumu iekārtas atklātajās metāla daļās un pakļaut operatoru elektriskās strāvas triecienam.
- Lai samazinātu elektriskās strāvas trieciena risku, nekad neizmantojiet urbjmašīnu ieraktu elektrības kabeļu tuvumā. Saskare ar zemē ieraktiem elektrības kabeļiem vai lietošana to tuvumā var izraisīt nopietnas traumas vai elektriskās strāvas triecienu, kas var izraisīt nāvi.
- Vienmēr iedarbiniet urbjmašīnu ar mazu ātrumu un nolieciet tā uzgaļa galu pie zemes. Darbinot ar lielāku ātrumu, uzgalis var saliekties, ja tam ļauj brīvi griezties, nesaskaroties ar zemi, izraisot miesas bojājumus.
- Piespiediet tieši tādā virzienā, kādā vērstis uzgalis, un nespiediet pārāk stipri. Uzgaļi var saliekties, tā tie var salūzt vai varat zaudēt kontroli pār instrumentu un gūt savainojumu.
- Vienmēr pārlicinieties, ka jums ir stingrs pamats zem kājām. Lietojot urbjmašīnu augstākā vietā, pārlicinieties, vai neviens neatrodas zem tās.
- Stingri turiet urbjmašīnu.
- Netuviniet rokas rotējošajām daļām.
- Neatstājiet urbjmašīnu ieslēgtu. Darbiniet urbjmašīnu, tikai tad, kad tā ir paņēmta rokās.
- Nepieskarieties uzreiz pēc urbšanas urbjmašīnas uzgalim. Tas var būt ļoti karsts un var apdedzināt ādu.
- Ja urbjmašīna nedarbojas kā parasti, piemēram, rodas neparastas skaņas, nekavējoties pārtrauciet darbu un nogādājiet ar vietējo servisa centru, lai veiktu remontu.
- Lai samazinātu sprādziena risku, nekad nelietojiet urbjmašīnu zemē ieraktu gāzes vadu, tostarp ūdensvadu un cauruļu, tuvumā. Saskare ar ieraktiem ūdens vai gāzes vadiem vai lietošana to tuvumā var izraisīt ūdensvadu pārrāvumu un eksploziju no gāzes vadiem, kas var izraisīt nopietnus savainojumus vai nāvi.
- Nekad neurbiet, pārsniedzot maksimālo ātrumu, kas norādīts uz urbšanas uzgaļa. Rotējot lielākā ātrumā un nesaskaroties ar urbjamo detaļu, uzgalis var saliekties, kas var izraisīt savainojumu.
- Ar akumulatoru darbināmām urbjmašīnām nav jābūt pievienotām strāvas avotam, tāpēc tās vienmēr ir gatavas darbam. Pat, ja urbjmašīna nedarbojas, vienmēr sargieties no iespējama apdraudējuma. Ievērojiet piesardzību, veicot apkopes vai uzturēšanas darbus.

- Nemazgājiet ar šļūteni; nepieļaujiet ūdens iekļūšanu motorā un elektriskajos savienojumos.
- Ledus griezējasmaņi ir ļoti asi. Urbjot caurumu vai nomainot asmeņus, rīkojieties īpaši piesardzīgi. Pēc katras lietošanas reizes uzlieciet asmens aizsargu.
- Bieži pārbaudiet un pārlicinieties, vai fiksācijas skrūve ir nostiprināta.

**SAGLABĀJIET ŠO NORĀDĪJUMUS.** Izlasiet un izmantojiet šo instrukciju, lai sniegtu norādījumus citiem, kas izmanto šo iekārtu. Ja jūs šo mašīnu aizdodat kādai citai personai, aizdodiet arī šo rokasgrāmatu, lai nepieļautu, ka produkts tiek lietots nepareizi, kā arī lai izvairītos no iespējamām traumām.

## SPECIFIKĀCIJAS

Spriegums	56 V	
Griezes moments	74 Nm	
Ātrums bez slodzes ( $n_0$ )	Uz priekšu	Apakšējā: 0-150 / min. Augstums: 0-210 / min.
	Atpakaļgaitā	100 / min.
Svars (bez akumulatoru bloka)	10,2 kg	

## Iepakošanas saturas saraksts (A1 att.)

### Apraksts

#### Pārziniet savu instrumentgalvu (A1 att.)

1. Kreisais rokturis
2. Labais rokturis
3. Griešanās virziena/ātruma selektors
4. Bloķēšanas poga
5. Ātruma pārslēgšanas slēdzis
6. Akumulatora atbrīvošanas poga
7. LED indikators
8. Jaudas galva
9. Akumulatoru bloka pieslēgvietā
10. Līdzdu uzgriežņatslēga (10 mm)
11. Seškanšu atslēga (5 mm)

## Montāža

### Rokturu uzstādīšana

1. Kad akumulatora pieslēgvietā ir vērsta uz aizmuguri, ievietojiet labā un kreisā roktura caurulītes izliktajās spraugās instrumentgalvas pamatnē (B1 att.).
2. Izlīdziniet abus caurumus katrā roktura caurulē ar diviem caurumiem katrā pamatnes spraugā.

**PIEZĪME!** Nepareizas labās/kreisās puses rokturu uzstādīšanas gadījumā nebūs iespējams izlīdzināt caurumus.

- Izmantojiet 8 skrūvju, paplākšņu un uzgriežņu komplektus, lai piestiprinātu rokturus pie instrumentgalvas. Izmantojiet uzgriežņu atslēgu un 5 mm seškanšu atslēgu, lai stingri pievilktu (B2. att.).
- Izlīdziniet bultīgu uz labā roktura kabeļa ar bultīgu uz instrumentgalvas kabeļa. Pēc tam ievietojiet labā roktura kabeļa spraudni instrumentgalvas kabeļa ligzdā. Stingri pievelciet (B2 att.).

**PIEZĪME!** Lai novērstu kabeļa bojājumus, uzstādīšanas laikā to nelociet un negrieziet.

B1-1	Labais rokturis	B1-2	Kreisais rokturis
B1-3	Akumulatoru bloka pieslēgvietā	B2-1	Bultskrūve
B2-2	Paplāksne	B2-3	Uzgrieznis
B2-4	Kabeļa kontaktdakša	B2-5	Kabeļa ligzda

## INSTRUMENTGALVAS PIERĪCES UZSTĀDĪŠANA

**⚠ BRĪDINĀJUMS!** Izlasiet un izprotiet visu šajā lietotāja rokasgrāmatā norādīto informāciju par katru izvēles palīgierīci, ko izmanto kopā ar šo instrumentgalvu, un ievērojiet visus brīdinājumus un norādījumus. Šo norādījumu neievērošanas sekas var radīt elektriskās strāvas triecienu, ugunsgrēku un/vai nopietnus miesas bojājumus.

**⚠ BRĪDINĀJUMS!** Št 56 V instrumentgalva PHA7400E ir paredzēta lietošanai tikai kopā ar EGO palīgierīču modeļiem, kas norādīti šajā lietotāja rokasgrāmatā, vai jaunākām EGO palīgierīcēm, kas paredzētas izmantošanai kopā ar šo instrumentgalvu: Citu neapstiprinātu palīgierīču izmantošana var izraisīt nopietnus miesas bojājumus vai īpašuma bojājumus.

**⚠ BRĪDINĀJUMS!** Nekad neievietojiet, neizņemiet vai neveiciet regulēšanu palīgierīcei, kamēr darbojas instrumentgalva vai, ja tajā atrodas akumulators. Ja motors netiek apturēts un nav izņemts akumulators, jūs varat gūt smagus miesas bojājumus. **NEKAD NEDARBINIET INSTRUMENTGALVU BEZ PALĪGIERĪCES.**

## EKSPLUATĀCIJA

### AKUMULATORU BLOKA IEVIETOŠANA/IZŅEMŠANA

Izmantojiet kopā tikai ar A2 attēlā norādītajiem EGO akumulatoru blokiem un lādētājiem.

**Pirms pirmās lietošanas reizes akumulators ir pilnībā jāuzlādē.**

### Piestiprināšana

Salāgojiet akumulatora izciļņus ar stiprinājuma rievām un iespiediet akumulatoru bloku, līdz ir dzirdama „klikšķa” skaņa (C1 att.).

### Izņemšana

Nospiediet akumulatora atbrīvošanas pogu un izņemiet akumulatoru bloku (C2 att.).

C1-1	Stiprinājuma rieva	C1-2	Izciļnis
C2-1	Akumulatora atbrīvošanas poga		

## INSTRUMENTGALVAS IEDARBINĀŠANA/ APTURĒŠANA (D att.)

- Lai iedarbinātu instrumentgalvu,** vispirms nospiediet un pieturiet bloķēšanas pogu, pēc tam nospiediet ātruma pārslēgšanas slēdzi. Atbrīvojiet atbloķēšanas pogu un turpiniet spiest sprūda slēdzi, lai instruments darbotos nepārtraukti.

**PIEZĪME!** Nospiežot aktivizēšanas slēdzi stiprāk, ātruma regulēšanas slēdzis ieslēdz lielāku ātrumu, savukārt, nospiežot aktivizēšanas slēdzi vājāk, ātrums tiek samazināts.

- Lai apturētu instrumentgalvu,** atļaidiet pārslēgšanas slēdzi un ļaujiet instrumentam pilnībā apstāties.

D-1	Bloķēšanas poga	D-2	Ātruma pārslēgšanas slēdzis
-----	-----------------	-----	-----------------------------

## GRIEŠANĀS VIRZIENA UN ĀTRUMA IZVĒLE (E att.)

Turiet labo rokturi ar labo roku.

- Nospiediet selektoru pozīcijā “2”,** lai aktivizētu griešanas uz priekšu lielā ātrumā.
- Nospiediet selektoru pozīcijā “1”,** lai aktivizētu griešanas uz priekšu ar mazu ātrumu.
- Nospiediet selektoru pozīcijā “R”,** lai aktivizētu griešanas atpakaļgaitā.

**PIEZĪME!** Griešanās virziena pārslēgšana uz priekšu un atpakaļgaitā ir iespējama tikai tad, kad instrumentgalva ir apturēta.

**PIEZĪME!** Ātrumu uz priekšu var regulēt jebkurā laikā neatkarīgi no tā, vai instrumentgalva ir iedarbināta vai apturēta.

E-1	Griešanās virziena / ātruma selektors
-----	---------------------------------------

## STATUSA INDIKATORS

Instrumentgalvai ir LED statusa indikators, kas parāda mašīnas darba statusu. LED indikators iedegas tikai tad, kad tiek iedarbināta instrumentgalva.

LED STATUSA INDIKATORS	EKSPLOATĀCIJAS APSTĀKĻI	RĪCĪBA
Deg nepārtraukta zaļā gaisma	Instrumentgalva darbojas pareizi.	Normāla darbība. Nekas cits nav jādara.
Deg sarkanā krāsā	Instrumentgalva ir pārslodzota.	Atļaidiet slēdzi, izceliet urbi no cauruma un pārbaudiet pārslodzes cēloņus. Ja mašīna ir apstājusies liela šķēršļa dēļ, iespējams, būs jāatrod alternatīva vieta urbšanai. Ja problēmu nevar atrisināt, sazinieties ar EGO klientu apkalpošanas dienestu, lai veiktu remontu.
	Instrumentgalva ir pārāk auksta.	Atļaidiet slēdzi. Nogādājiet urbmašīnu iekšējā telpā, lai tā sasiltu.
Deg nepārtraukta oranžā gaisma	Aizsardzība pret atsitienu.	Atļaidiet slēdzi, izceliet urbmašīnu no cauruma. Vēlreiz iedarbiniet urbmašīnu un uzmanīgi nolaidiet to atpakaļ caurumā.
Mirgo sarkanā gaisma	Akumulatoru bloks ir gandrīz izlādējies.	Uzlādējiet akumulatoru bloku.
Mirgo oranžā gaisma	Instrumentgalva ir pārkarsusi.	Apturiet urbi un nedaudz pagaidiet, kamēr atdziest mašīna.
Pārmaiņus mirgo zaļā un sarkanā krāsā.	Komunikācijas kļūme.	Ja nepieciešams veikt labošanas darbus, sazinieties ar EGO klientu apkalpošanas nodaļu.
Nav gaismas.	Ja LED indikators uz akumulatoriem mirgo oranžā krāsā vai deg sarkanā krāsā, akumulatori ir pārkarsuši.	Ļaujiet akumulatoram atdzist un pēc tam vēlreiz iedarbiniet urbi.
	Cita veida elektronikas kļūda.	Ja nepieciešams veikt labošanas darbus, sazinieties ar EGO klientu apkalpošanas nodaļu.

## APKOPE

**▲ BRĪDINĀJUMS!** Lai izvairītos no miesas bojājumiem, pirms iekārtas apkopes vai tīrīšanas darbu veikšanas, papildierīču nomaiņas vai ūdens izliešanas no tās, izņemiet no iekārtas akumulatoru bloku.

### VISPĀRĒJĀ APKOPE

Plastmasas detaļu tīrīšanai neizmantojiet šķīdinātājus. Vairums plastmasu ir uzņēmīgas pret dažāda veida komerciālu šķīdinātāju radītiem bojājumiem un, tos izmantojot, var tikt sabojātas. Lai notīrītu netīrumus, putekļus, eļļu, smērvielas u.c., izmantojiet tīras lupatiņas.

**▲ BRĪDINĀJUMS!** Plastmasas daļas nekādā gadījumā nedrīkst saskarties ar bremžu šķidrumu, degvielu, naftas produktiem, iesūcošos eļļu un tam līdzīgi. Ķīmiskās vielas var radīt bojājumus, kā arī mazināt plastmasas daļas izturību vai iznīcināt tās, radot smagus miesas bojājumus.

## INSTRUMENTGALVAS UZGLABĀŠANA

1. Izņemiet no instrumentgalvas akumulatoru bloku.
2. Pirms glabāšanas rūpīgi notīriet instrumentgalvu.
3. Uzglabājiet instrumentgalvu sausā, labi vēdināmā un aizsildzamā telpā vai kādā augstākā vietā, kurā tai nevar piekļūt bērni. Neuzglabājiet instrumentgalvu blakus mēslojumam, benzīnam vai citām ķīmikālijām.

## APKĀRTĒJĀS VIDES AIZSARDZĪBA



Neutilizējiet elektrisko aprīkojumu, izlietoto akumulatoru un lādētāju sadzīves atkritumos! Nogādājiet šo izstrādājumu uz pilnvarotu pārstrādes punktu un sagatavojiet atkritumu šķirošanai. Elektriskos instrumentus jānogādā videi nekaitīgā pārstrādes rūpnīcā.



## PROBLĒMU MEKLĒŠANA UN NOVĒRŠANA

Izlasiet attiecīgās palīģierīces lietotāja rokasgrāmatu.

## GARANTIJA

### EGO GARANTIJAS POLITIKA

Lūdzam apmeklēt tīmekļa vietni [egopowerplus.eu](http://egopowerplus.eu), kur pieejama pilna EGO garantijas politikas noteikumu un nosacījumu versija.

LV

## ΔΙΑΒΑΣΤΕ ΟΛΕΣ ΤΙΣ ΟΔΗΓΙΕΣ!



ΔΙΑΒΑΣΤΕ ΤΟ ΕΓΧΕΙΡΙΔΙΟ ΧΡΗΣΗΣ

**⚠️ ΠΡΟΕΙΔΟΠΟΙΗΣΗ:** Προκειμένου να διασφαλιστεί η ασφάλεια και η αξιοπιστία, όλες οι επισκευές πρέπει να διενεργούνται από εξειδικευμένο τεχνικό του σέρβις.

## ΣΥΜΒΟΛΟ ΑΣΦΑΛΕΙΑΣ

Ο σκοπός των συμβόλων ασφαλείας είναι να σας επιστήσουν την προσοχή σε ενδεχόμενους κινδύνους. Λαμβάνετε υπόψη και εξοικειωθείτε με τα σύμβολα ασφαλείας και τις επεξηγήσεις που τα συνοδεύουν. Τα σύμβολα προειδοποίησης από μόνα τους δεν εξαλείφουν κανέναν κίνδυνο. Οι οδηγίες και οι προειδοποιήσεις που παρέχουν δεν υποκαθιστούν τα ενδεδειγμένα μέτρα πρόληψης ατυχημάτων.

**⚠️ ΠΡΟΕΙΔΟΠΟΙΗΣΗ:** Βεβαιωθείτε ότι έχετε διαβάσει και κατανοήσει όλες τις οδηγίες ασφαλείας στο παρόν εγχειρίδιο χρήσης, συμπεριλαμβανομένων όλων των συμβόλων ασφαλείας, όπως «**ΚΙΝΔΥΝΟΣ**», «**ΠΡΟΕΙΔΟΠΟΙΗΣΗ**» και «**ΠΡΟΣΟΧΗ**», προτού να χρησιμοποιήσετε αυτή τη μηχανή. Η μη τήρηση όλων των παρακάτω οδηγιών μπορεί να οδηγήσει σε ηλεκτροπληξία, πυρκαγιά και/ή σοβαρό τραυματισμό.

## ΟΔΗΓΙΕΣ ΑΣΦΑΛΕΙΑΣ

Αυτή η σελίδα απεικονίζει και περιγράφει τα σύμβολα ασφαλείας που μπορεί να υπάρχουν επάνω στο προϊόν. Διαβάστε, κατανοήστε και τηρείτε όλες τις οδηγίες στη μηχανή, προτού προσπαθήσετε να εκτελέσετε εργασίες συναρμολόγησης και λειτουργίας.



Προειδοποίηση ασφαλείας



Προκειμένου να μειωθεί ο κίνδυνος τραυματισμού, ο χρήστης πρέπει να διαβάσει το εγχειρίδιο χρήσης.



Φοράτε προστατευτικά ακοής



Φοράτε προστατευτικά γυαλιά



Τα απόβλητα ειδών ηλεκτρικού και ηλεκτρονικού εξοπλισμού δεν πρέπει να απορρίπτονται στα οικιακά απορρίμματα. Παραδώστε τα σε εξουσιοδοτημένη μονάδα ανακύκλωσης.



Αυτό το προϊόν συμμορφώνεται με τις εφαρμοστές οδηγίες της ΕΚ.

GR



Συνεχές ρεύμα



Αξιολογήθηκε η συμμόρφωση HB

V Τάση

kg Κιλό

IPX4 Προστασία από εκτοξευμένο νερό

## ΓΕΝΙΚΕΣ ΠΡΟΕΙΔΟΠΟΙΗΣΕΙΣ ΑΣΦΑΛΕΙΑΣ ΓΙΑ ΜΗΧΑΝΕΣ

**▲ ΠΡΟΕΙΔΟΠΟΙΗΣΗ:** Μελετήστε όλες τις προειδοποιήσεις ασφάλειας, τις οδηγίες, τις εικόνες και τις προδιαγραφές που συνοδεύουν αυτή τη μηχανή. Εάν δεν τηρηθούν όλες οι οδηγίες που αναφέρονται παρακάτω, μπορεί να προκληθεί ηλεκτροπληξία, πυρκαγιά και/ή σοβαρός τραυματισμός. Φυλάξτε όλες τις προειδοποιήσεις και τις οδηγίες για μελλοντική αναφορά.

### ΑΣΦΑΛΕΙΑ ΣΤΟ ΧΩΡΟ ΕΡΓΑΣΙΑΣ

- Διατηρείτε το χώρο εργασίας καθαρό και καλά φωτισμένο. Οι ακατάστατοι χώροι και οι χώροι με κακό φωτισμό ενισχύουν την πιθανότητα ατυχημάτων.
- Μην χρησιμοποιείτε μηχανές σε εκρηκτικές ατμόσφαιρες, για παράδειγμα, παρουσία εύφλεκτων υγρών, βενζίνης ή σκόνης. Οι μηχανές δημιουργούν σπινθήρες που μπορεί να αναφλέξουν σκόνη ή αναθυμιάσεις.
- Τα παιδιά και οι παρερισκόμενοι πρέπει να παραμένουν μακριά κατά τη λειτουργία του μηχανήματος. Εάν κάτι αποσπάσει την προσοχή σας, μπορεί να χάσετε τον έλεγχο.

### ΗΛΕΚΤΡΙΚΗ ΑΣΦΑΛΕΙΑ

- Το φως της μηχανής πρέπει να ταιριάζει στην πίτσα. Μην τροποποιήσετε ποτέ και με κανέναν τρόπο το φως. Μην χρησιμοποιείτε κανενός είδους προσαρμογείς πριζών με γειωμένες μηχανές. Τα μη τροποποιημένα φως και οι κατάλληλες πριζες μειώνουν τον κίνδυνο ηλεκτροπληξίας.
- Αποφύγετε την επαφή με γειωμένες επιφάνειες, όπως, σωλήνες, θερμαντικά σώματα, εστίες και ψυγεία. Υπάρχει αυξημένος κίνδυνος ηλεκτροπληξίας όταν το σώμα σας είναι γειωμένο.
- Μην εκθέτετε τις μηχανές σε βροχή ή υγρές συνθήκες. Η εισχώρηση νερού στη μηχανή αυξάνει τον κίνδυνο ηλεκτροπληξίας.
- Μην κακομεταχειρίζεστε το καλώδιο. Μην χρησιμοποιείτε ποτέ το καλώδιο για να μεταφέρετε, να τραβήξετε ή να αποσυνδέσετε τη μηχανή από την πίτσα. Διατηρείτε το καλώδιο μακριά από θερμότητα, λάδια, αιχμηρές γωνίες ή κινούμενα εξαρτήματα. Τα κατεστραμμένα ή μπλεγμένα καλώδια αυξάνουν τον κίνδυνο ηλεκτροπληξίας.
- Όταν χρησιμοποιείτε ένα μηχανήμα σε εξωτερικό χώρο, χρησιμοποιείτε καλώδιο προέκτασης κατάλληλο για χρήση σε εξωτερικούς χώρους.

Τα καλώδια που είναι κατάλληλα για εξωτερικούς χώρους περιορίζουν τον κίνδυνο ηλεκτροπληξίας.

- Εάν δεν μπορεί να αποφευχθεί η λειτουργία ενός μηχανήματος σε τοποθεσία με υγρασία, χρησιμοποιήστε τροφοδοσία προστατευμένη με διακόπτη κυκλώματος βλάβης γείωσης. Η χρήση ενός διακόπτη κυκλώματος βλάβης γείωσης μειώνει τον κίνδυνο ηλεκτροπληξίας.

### ΠΡΟΣΩΠΙΚΗ ΑΣΦΑΛΕΙΑ

- Να βρίσκεστε πάντα σε εγρήγορση, να προσέχετε τι κάνετε και να εφαρμόζετε κοινή λογική όταν χρησιμοποιείτε μηχανή. Μην χρησιμοποιείτε μηχανήματα όταν είστε κουρασμένοι ή υπό την επήρεια ναρκωτικών, αλκοόλ ή φαρμάκων. Μια στιγμή απροσεξίας κατά τη χρήση ενός μηχανήματος μπορεί να οδηγήσει σε σοβαρό τραυματισμό.
- Χρησιμοποιείτε μέσα ατομικής προστασίας. Φοράτε πάντα προστασία των ματιών. Η χρήση των κατάλληλων μέσων ατομικής προστασίας, όπως, μάσκα προστασίας από τη σκόνη, αντιολισθητικών παπουτσιών ασφαλείας, κράνους ή ωτοασπίδων, μειώνει τον κίνδυνο τραυματισμού.
- Λαμβάνετε μέτρα για να μην ενεργοποιηθεί κατά λάθος η συσκευή. Βεβαιώστε ότι ο διακόπτης βρίσκεται στη θέση απενεργοποίησης προτού συνδέσετε τη μηχανή στην παροχή ρεύματος ή/και στη συστοιχία μπαταριών, ή όταν σηκώνετε ή μεταφέρετε τη μηχανή. Μην μεταφέρετε τη μηχανή έχοντας το δάκτυλο πάνω στο διακόπτη και μην την συνδέετε στην παροχή ρεύματος με ενεργοποιημένο το διακόπτη, διότι αυξάνεται ο κίνδυνος ατυχήματος.
- Προτού ενεργοποιήσετε τη μηχανή, απομακρύνετε κάθε εργαλείο ή κλειδί ρύθμισης. Εάν το εργαλείο ή το κλειδί ρύθμισης παραμένει επάνω στο περιστρεφόμενο μέρος της μηχανής, μπορεί να προκληθεί τραυματισμός.
- Μην τεντώνετε υπερβολικά για να πραγματοποιήσετε την εργασία. Πατάτε πάντα σταθερά και διατηρείτε την ισορροπία σας. Έτσι θα ελέγχετε καλύτερα το μηχανήμα, σε περίπτωση απροσδόκων καταστάσεων.
- Φοράτε κατάλληλα ρούχα. Μην φοράτε φαρδιά ρούχα ή κοσμήματα. Διατηρείτε τα μαλλιά και τα ρούχα σας μακριά από κινούμενα μέρη. Τα φαρδιά ρούχα, τα κοσμήματα ή τα μακριά μαλλιά ενδέχεται να εμπλακούν σε κινούμενα μέρη.
- Εάν υπάρχει δυνατότητα σύνδεσης συσκευών απομάκρυνσης και συλλογής σκόνης, βεβαιωθείτε ότι αυτές οι συσκευές έχουν συνδεθεί και χρησιμοποιούνται σωστά. Αυτές οι συσκευές

μπορούν να περιορίσουν τους κίνδυνους που σχετίζονται με τη σκόνη.

- **Ακόμα κι εάν χρησιμοποιείτε συχνά μηχανήματα, μην εφησυχάζετε και μην παραβλέπετε τις βασικές αρχές ασφαλείας.** Μια στιγμή απροσεξίας μπορεί να οδηγήσει σε σοβαρό τραυματισμό.

#### ΧΡΗΣΗ ΚΑΙ ΦΡΟΝΤΙΔΑ ΤΟΥ ΜΗΧΑΝΗΜΑΤΟΣ

- **Μην πιέζετε το μηχανήμα. Χρησιμοποιήστε τη σωστή μηχανή για την εκάστοτε εργασία.** Η εργασία θα πραγματοποιηθεί καλύτερα και ασφαλέστερα εάν χρησιμοποιηθεί η κατάλληλη μηχανή και στην ταχύτητα για την οποία έχει σχεδιαστεί.
- **Μην χρησιμοποιείτε το μηχανήμα εάν ο διακόπτης δεν το ενεργοποιεί και δεν το απενεργοποιεί.** Κάθε μηχανήμα που δεν μπορεί να ελεγχθεί με τον διακόπτη είναι επικίνδυνο και πρέπει να επισκευαστεί.
- **Αποσυνδέετε το φως από την πηγή ρεύματος καιή αφαιρείτε τη συστοιχία μπαταριών, εφόσον είναι αποσπώμενη, από το μηχανήμα προτού κάνετε οποιαδήποτε ρύθμιση, αλλάξετε παρελκόμενα ή αποθηκεύσετε το μηχανήμα.** Αυτά τα προληπτικά μέτρα ασφαλείας μειώνουν τον κίνδυνο ακούσιας εκκίνησης της μηχανής.
- **Εφόσον δεν το χρησιμοποιείτε, αποθηκεύετε το μηχανήμα σε σημείο όπου δεν έχουν πρόσβαση τα παιδιά και μην επιτρέπετε σε άτομα που δεν είναι εξοικειωμένα με αυτό ή με αυτές τις οδηγίες να το χρησιμοποιήσουν.** Οι μηχανές είναι επικίνδυνες στα χέρια ατόμων που δεν έχουν εκπαιδευτεί στη χρήση τους.
- **Συντήρηση μηχανών και παρελκόμενων.** Ελέγχετε για κακή ευθυγράμμιση ή εμπλοκή των κινούμενων εξαρτημάτων, για σπασμένα εξαρτήματα και για κάθε άλλη κατάσταση που μπορεί να επηρεάσει τη λειτουργία της μηχανής. Σε περίπτωση ζημιάς, επισκευάστε τη μηχανή πριν από τη χρήση. Πολλά ατυχήματα προκαλούνται εξαιτίας πλημμελώς συντηρημένων μηχανών.
- **Διατηρείτε τα μηχανήματα κοπής κοφτερά και καθαρά.** Οι μηχανές κοπής που συντηρούνται σωστά και διαθέτουν αιχμηρές κόψεις είναι λιγότερο πιθανό να μπλοκάρουν, ενώ είναι ευκολότερες στο χειρισμό.
- **Χρησιμοποιείτε το μηχανήμα, τα παρελκόμενα, τις μύτες, κτλ., σύμφωνα με αυτές τις οδηγίες, λαμβάνοντας υπόψη τις συνθήκες εργασίας και την προς εκτέλεση εργασία.** Η χρήση της μηχανής για σκοπούς διαφορετικούς από τους προβλεπόμενους μπορεί να οδηγήσει σε επικίνδυνες καταστάσεις.
- **Διατηρείτε τις λαβές και τις επιφάνειες συγκράτησης στεγνές και καθαρές, χωρίς λάδια και**

**γράσα.** Εάν οι λαβές και οι επιφάνειες συγκράτησης είναι ολισθηρές δεν θα μπορέσετε να χειριστείτε με ασφάλεια τη μηχανή, ούτε θα μπορέσετε να την ελέγξετε σε περίπτωση που προκύψει κάποια απροσδόκητη κατάσταση.

#### ΧΡΗΣΗ ΚΑΙ ΦΡΟΝΤΙΔΑ ΜΗΧΑΝΗΜΑΤΩΝ ΜΠΑΤΑΡΙΑΣ

- **Επαναφορτίζετε μόνο με το φορτιστή που έχει καθορίσει ο κατασκευαστής.** Οι φορτιστές που είναι κατάλληλοι για έναν συγκεκριμένο τύπο συστοιχίας μπαταριών μπορεί να προκαλέσουν πυρκαγιά εάν χρησιμοποιηθούν για κάποιον άλλον τύπο.
- **Χρησιμοποιείτε το μηχανήμα μόνο με τις συστοιχίες μπαταριών που προορίζονται ειδικά για αυτό.** Εάν χρησιμοποιηθεί οποιαδήποτε άλλη συστοιχία μπαταριών, μπορεί να προκληθεί τραυματισμός και πυρκαγιά.
- **Όταν η συστοιχία μπαταριών δεν χρησιμοποιείται, φυλάσσετε την μακριά από μεταλλικά αντικείμενα, όπως, συνδετήρες, κέρματα, κλειδιά, καρφιά, βίδες ή άλλα μικρά μεταλλικά αντικείμενα, τα οποία μπορεί να δημιουργήσουν σύνδεση μεταξύ των ακροδεκτών.** Το βραχυκύκλωμα των ακροδεκτών της συστοιχίας μπαταριών μεταξύ τους ενδύεται να προκαλέσει εγκαύματα ή πυρκαγιά.
- **Σε συνθήκες κακής χρήσης, μπορεί να διαρρέυσει υγρό από τη συστοιχία μπαταριών. Αποφύγετε την επαφή με αυτό. Σε περίπτωση τυχαίας επαφής, ξεπλύνετε καλά με νερό. Εάν το υγρό έρθει σε επαφή με τα μάτια, απευθυνθείτε επιπρόσθετα σε γιατρό.** Το υγρό που διαρρέει από τη συστοιχία μπαταριών μπορεί να προκαλέσει ερεθισμό ή εγκαύματα.
- **Μην χρησιμοποιείτε τη συστοιχία μπαταριών ή τη μηχανή εάν έχουν υποστεί ζημιά ή έχουν τροποποιηθεί.** Οι συστοιχίες μπαταριών που έχουν υποστεί ζημιά ή έχουν τροποποιηθεί μπορεί να έχουν απρόβλεπτη συμπεριφορά και να προκαλέσουν πυρκαγιά, έκρηξη ή τραυματισμό.
- **Μην εκθέτετε τη συστοιχία μπαταριών ή τη μηχανή σε φωτιά ή υπερβολικά υψηλές θερμοκρασίες.** Η έκθεση σε φωτιά ή θερμοκρασία πάνω από 130 °C μπορεί να προκαλέσει έκρηξη.
- **Τηρείτε όλες τις οδηγίες φόρτισης και μη φορτίζετε τη συστοιχία μπαταριών ή τη μηχανή εκτός του εύρους θερμοκρασίας που καθορίζεται στις οδηγίες.** Εάν η φόρτιση δε γίνει σωστά ή πραγματοποιηθεί σε θερμοκρασία εκτός του καθορισμένου εύρους, η συστοιχία μπαταριών μπορεί να υποστεί ζημιά και να αυξηθεί ο κίνδυνος πυρκαγιάς.

GR

## ΣΕΡΒΙΣ

- Το σέρβις της μηχανής σας πρέπει να γίνεται από εξειδικευμένο τεχνικό, χρησιμοποιώντας μόνο όμοια ανταλλακτικά. Αυτό θα διασφαλίσει τη διατήρηση της ασφάλειας του μηχανήματος.
- Μην επιχειρήσετε ποτέ να επισκευάσετε συστοιχία μπαταριών που έχει υποστεί ζημιά. Η συστοιχία μπαταριών πρέπει να επισκευάζεται μόνο από τον κατασκευαστή ή από εξουσιοδοτημένα κέντρα σέρβις.

## ΠΡΟΕΙΔΟΠΟΙΗΣΕΙΣ ΑΣΦΑΛΕΙΑΣ ΓΙΑ ΤΗΝ ΗΛΕΚΤΡΙΚΗ ΚΕΦΑΛΗ

- Αυτή η ηλεκτρική κεφαλή PHA7400E μπορεί να χρησιμοποιηθεί μόνο με τα ακόλουθα προσαρτήματα EGO ή να κυκλοφορήσει μεταγενέστερα από την EGO για χρήση με αυτήν την ηλεκτρική κεφαλή:

ΤΥΠΟΣ ΠΡΟΣΑΡΤΗΜΑΤΟΣ	ΑΡΙΘΜΟΣ ΜΟΝΤΕΛΟΥ
Μύτη αριδίας γεωτρύπανου	ΕΤΑ0800E
Μύτη αριδίας πάγου	ΙΤΑ0800E

- Αντικαθιστάτε τις αριδές εάν έχουν ραγίσει, λυγίσει ή υποστεί ζημιά με οποιονδήποτε τρόπο. Η λειτουργία του μηχανήματος με κατεστραμμένη αριδα μπορεί να οδηγήσει σε σοβαρό τραυματισμό.
- Ποτέ μην χρησιμοποιείτε την αριδα με τις λαβές πάνω από το επίπεδο της μέσης. Αυτό περιορίζει τον έλεγχο της αριδίας και μπορεί να αυξήσει τον κίνδυνο τραυματισμού.
- Κρατήστε το μηχανήμα και με τα δύο χέρια στις προβλεπόμενες λαβές. Η απώλεια ελέγχου μπορεί να προκαλέσει τραυματισμό.
- Κρατάτε το μηχανήμα από τις μονωμένες επιφανειών λαβών όταν εκτελείτε μια λειτουργία στην οποία το αξεσουάρ σκαψίματος μπορεί να έρθει σε επαφή με κρυμμένες καλωδιώσεις. Ένα αξεσουάρ σκαψίματος που έρχεται σε επαφή με ένα «ρευματοφόρο» καλώδιο μπορεί να θέσει υπό τάση τα μεταλλικά μέρη του μηχανήματος και να προκαλέσει ηλεκτροπληξία στον χειριστή.
- Για να μειώσετε τον κίνδυνο ηλεκτροπληξίας, μη χρησιμοποιείτε ποτέ την αριδα κοντά σε θαμμένα ηλεκτρικά καλώδια ρεύματος. Η επαφή με ή η χρήση κοντά σε θαμμένα καλώδια ηλεκτρικού ρεύματος μπορεί να προκαλέσει σοβαρό τραυματισμό ή ηλεκτροπληξία με αποτέλεσμα θάνατο.

- Ξεκινάτε πάντα το μηχανήμα σε χαμηλή ταχύτητα και με την ακμή αριδίας σε επαφή με το έδαφος. Σε υψηλότερες ταχύτητες, η μύτη μπορεί να καμφθεί εάν περιστρέφεται ελεύθερα χωρίς επαφή με το έδαφος, με αποτέλεσμα ατομικό τραυματισμό.
- Ασκείτε πίεση μόνο στην ίδια ευθεία με τη μύτη και να μην ασκείτε υπερβολική πίεση. Η μύτη μπορεί να λυγίσει και να προκαλέσει θραύση ή απώλεια ελέγχου, με συνέπεια τραυματισμό.
- Βεβαιώνεστε ότι πατάτε πάντα σταθερά. Βεβαιώνεστε ότι δεν βρίσκει κανείς από κάτω όταν χρησιμοποιείτε το μηχανήμα σε τοποθεσίες ψηλά.
- Κρατάτε το μηχανήμα σταθερά.
- Διατηρείτε τα χέρια μακριά από τα περιστρεφόμενα μέρη.
- Μην αφήνετε το μηχανήμα να λειτουργεί. Χειρίζετε το μηχανήμα μόνο κρατώντας το με τα χέρια.
- Μην αγγίζετε τη μύτη αριδίας αμέσως μετά τη λειτουργία. Μπορεί να είναι εξαιρετικά καυτή και να κάψει το δέρμα σας.
- Αν κάτι δεν πάει καλά με το μηχανήμα, όπως φυσιολογικοί ήχοι, σταματήστε αμέσως τη λειτουργία του και επικοινωνήστε με το τοπικό κέντρο σέρβις για επισκευή.
- Για να μειώσετε τον κίνδυνο έκρηξης, μη χρησιμοποιείτε ποτέ την αριδα κοντά σε θαμμένες γραμμές αερίου, συμπεριλαμβανομένων των αγωγών και των σωλήνων νερού. Η επαφή με ή η χρήση κοντά σε θαμμένους αγωγούς νερού ή αερίου μπορεί να επιφέρει ρήξη αγωγών νερού και έκρηξη αγωγών αερίου με αποτέλεσμα σοβαρό τραυματισμό ή θάνατο.
- Μη θέτετε ποτέ σε λειτουργία σε υψηλότερη ταχύτητα από τη μέγιστη τιμή ταχύτητας της μύτης αριδίας. Σε υψηλότερες ταχύτητες, η μύτη μπορεί να λυγίσει εάν περιστραφεί ελεύθερα χωρίς να βρίσκεται σε επαφή με το τεμάχιο επεξεργασίας, προκαλώντας τραυματισμό.
- Τα μηχανήματα μπαταρίας δεν πρέπει να συνδέονται σε πρίζα ηλεκτρικού ρεύματος επομένως πάντα βρίσκονται σε κατάσταση λειτουργίας. Λαμβάνετε υπόψη τους πιθανούς κινδύνους ακόμα και όταν το μηχανήμα δεν λειτουργεί. Προσέχετε όταν πραγματοποιείτε συντήρηση ή σέρβις.
- Μην το πλένετε με λάστιχο, αποφεύγετε διείσδυση νερού στο μοτέρ και τις ηλεκτρικές συνδέσεις.

GR



- Οι λεπίδες για τον πάγο είναι πολύ κοφτερές. Να είστε ιδιαίτερα προσεκτικοί κατά την διάνοιξη οπών ή την αντικατάσταση λεπίδων. Μετά από κάθε χρήση τοποθετείτε το προστατευτικό λεπίδας.
- Ελέγχετε συχνά και βεβαιώνεστε ότι η βίδα ασφάλισης έχει ασφαλιστεί στην σωστή θέση.

**ΦΥΛΑΞΤΕ ΑΥΤΕΣ ΤΙΣ ΟΔΗΓΙΕΣ.** Ανατρέχετε σε αυτές συχνά και χρησιμοποιήστε τις για να καθοδηγήσετε άλλους που ενδέχεται να χρησιμοποιήσουν αυτό το μηχάνημα. Εάν δανείσετε σε κάποιον αυτήν τη μηχανή, δανείστε και αυτές τις οδηγίες, ώστε να αποτρέψετε τη λανθασμένη χρήση του προϊόντος και ενδεχόμενους τραυματισμούς.

## ΤΕΧΝΙΚΕΣ ΠΡΟΔΙΑΓΡΑΦΕΣ

Τάση	56 V	
Ροπή στρέψης	74 Nm	
Ταχύτητα χωρίς φορτίο (n <sub>0</sub> )	Κίνηση προς τα εμπρός	Χαμηλή: 0-150 / λεπτό Υψηλή: 0-210 / λεπτό
	Οπισθεν	100 / min
Βάρος (χωρίς συστοιχία μπαταριών)	10,2 kg	

## ΚΑΤΑΛΟΓΟΣ ΕΞΑΡΤΗΜΑΤΩΝ ΣΥΣΚΕΥΑΣΙΑΣ (ΕΙΚ. Α1)

### ΠΕΡΙΓΡΑΦΗ

ΓΝΩΡΙΣΤΕ ΤΗΝ ΚΕΦΑΛΗ ΙΣΧΥΟΣ (ΕΙΚ. Α1)

1. Αριστερή λαβή
2. Δεξιά λαβή
3. Επιλογέας κατεύθυνσης/ταχύτητας περιστροφής
4. Κουμπί απασφάλισης
5. Διακόπτης-σκανδάλη μεταβλητής ταχύτητας
6. Κουμπί αποδέσμευσης μπαταριών
7. Ένδειξη LED
8. Κεφαλή ισχύος
9. Θύρα συστοιχίας μπαταριών
10. Σωληνωτό κλειδί (10 mm)
11. Κλειδί Άλεν (5 mm)

## ΣΥΝΑΡΜΟΛΟΓΗΣΗ

### ΕΓΚΑΤΑΣΤΑΣΗ ΤΩΝ ΛΑΒΩΝ

1. Με την υποδοχή συστοιχίας μπαταριών να βλέπει προς τα πίσω εισαγάγετε τους σωλήνες της δεξιάς και αριστερής λαβής μέσα στις καμπύλες υποδοχές στη βάση κεφαλής ισχύος (Εικ. Β1).
2. Ευθυγραμμίστε τις δύο οπές σε κάθε σωλήνα λαβής με τις δύο οπές σε κάθε υποδοχή βάσης.  
**ΣΗΜΕΙΩΣΗ:** Λανθασμένη εγκατάσταση δεξιά/αριστερά από τις λαβές εμποδίζει ευθυγράμμιση αυτών των οπών.
3. Χρησιμοποιήστε 8 σετ βιδών, ροδελών και παξιμαδιών για να ασφαλίσετε τις λαβές στην κεφαλή ισχύος. Χρησιμοποιήστε το βύσμα καλωδίου της δεξιάς λαβής μέσα στην υποδοχή καλωδίου της κεφαλής ισχύος. Σφίξτε τα με ασφάλεια (Εικ. Β2).
4. Ευθυγραμμίστε το βέλος στο καλώδιο της δεξιάς λαβής με το βέλος στο καλώδιο της κεφαλής ισχύος. Στη συνέχεια εισαγάγετε το βύσμα καλωδίου της δεξιάς λαβής μέσα στην υποδοχή καλωδίου της κεφαλής ισχύος. Σφίξτε τα με ασφάλεια (Εικ. Β2).  
**ΣΗΜΕΙΩΣΗ:** Για να αποφύγετε ζημιά στο καλώδιο, μην το λυγίζετε ή το συστρέψετε κατά τη συναρμολόγηση.

B1-1	Δεξιά λαβή	B1-2	Αριστερή λαβή
B1-3	Θύρα συστοιχίας μπαταριών	B2-1	Μπουλόνι
B2-2	Ροδέλα	B2-3	Παξιμάδι
B2-4	Βύσμα καλωδίου	B2-5	Υποδοχή καλωδίου

### ΕΓΚΑΤΑΣΤΑΣΗ ΠΡΟΣΑΡΤΗΜΑΤΟΣ ΗΛΕΚΤΡΙΚΗΣ ΚΕΦΑΛΗΣ

**⚠ ΠΡΟΕΙΔΟΠΟΙΗΣΗ:** Διαβάστε και κατανοήστε όλο το εγχειρίδιο χρήστη για κάθε προαιρετικό προσάρτημα που χρησιμοποιείται σε αυτή την ηλεκτρική κεφαλή και τηρείτε όλες τις προειδοποιήσεις και οδηγίες. Η μη τήρηση όλων των οδηγιών μπορεί να οδηγήσει σε ηλεκτροπληξία, πυρκαγιά και/ή σοβαρό τραυματισμό.

**⚠ ΠΡΟΕΙΔΟΠΟΙΗΣΗ:** Η παρούσα ηλεκτρική κεφαλή 56V PHA7400E έχει σχεδιαστεί για χρήση μόνο με μοντέλα προσαρτημάτων της EGO που ορίζονται στο παρόν εγχειρίδιο χρήστη ή προτείνονται συνεπώς από την EGO για χρήση με αυτή την κεφαλή ισχύος. Η χρήση άλλων, μη εγκεκριμένων προσαρτημάτων μπορεί να προκαλέσει σοβαρούς τραυματισμούς ή υλικές ζημιές.

GR

**⚠ ΠΡΟΕΙΔΟΠΟΙΗΣΗ:** Ποτέ μην εγκαθιστάτε, απομακρύνετε ή ρυθμίζετε οποιοδήποτε προσάρτημα ενώ λειτουργεί η κεφαλή ισχύος ή με τοποθετημένη την μπαταρία. Εάν δε σβήσετε τον κινητήρα και δεν αφαιρέσετε τη συστοιχία μπαταριών, μπορεί να προκληθεί σοβαρός τραυματισμός. **ΠΟΤΕ ΜΗ ΧΕΙΡΙΖΕΣΤΕ ΤΗΝ ΚΕΦΑΛΗ ΙΣΧΥΟΣ ΧΩΡΙΣ ΠΡΟΣΑΡΤΗΜΑ.**

## ΛΕΙΤΟΥΡΓΙΑ

### ΠΡΟΣΑΡΤΗΣΗ/ΑΠΟΜΑΚΡΥΝΣΗ ΤΗΣ ΣΥΣΤΟΙΧΙΑΣ ΜΠΑΤΑΡΙΩΝ

Χρησιμοποιείτε μόνο τις συστοιχίες μπαταριών και τους φορτιστές της EGO που αναφέρονται στην Εικ. Α2.

**Φορτίστε πλήρως πριν από την πρώτη χρήση.**

#### Προσάρτηση

Ευθυγραμμίστε τις νευρώσεις της μπαταρίας με τις σπές τοποθέτησης και πιέστε τη συστοιχία μπαταριών προς τα κάτω, μέχρι να ακούσετε ένα «κλικ» (Εικ. C1).

#### Αφαίρεση

Πιέστε το κουμπί αποδέσμευσης μπαταρίας και τραβήξτε έξω τη συστοιχία μπαταριών (Εικ. C2).

C1-1	Υποδοχή τοποθέτησης	C1-2	Αυλάκι
C2-1	Κουμπί αποδέσμευσης μπαταριών		

### ΕΝΕΡΓΟΠΟΙΗΣΗ/ΑΠΕΝΕΡΓΟΠΟΙΗΣΗ ΤΗΣ ΚΕΦΑΛΗΣ ΙΣΧΥΟΣ (Εικ. D)

- Για να ενεργοποιήσετε την κεφαλή ισχύος, πατήστε και κρατήστε πατημένο το κουμπί κλειδώματος και στη συνέχεια πιέστε το διακόπτη σκανδάλης μεταβλητής ταχύτητας. Αποδεσμεύστε το κουμπί απασφάλισης και συνεχίστε να πιέζετε το διακόπτη-σκανδάλη για συνεχή λειτουργία.

**ΣΗΜΕΙΩΣΗ:** Ο διακόπτης-σκανδάλη μεταβλητής ταχύτητας παρέχει μεγαλύτερη ταχύτητα αυξάνοντας την πίεση στη σκανδάλη και μικρότερη ταχύτητα μειώνοντας την πίεση στη σκανδάλη.

- Για να απενεργοποιήσετε την κεφαλή ισχύος, αποδεσμεύστε τον διακόπτη σκανδάλης και επιτρέψτε η μύτη αρίδας να σταματήσει εντελώς.

D-1	Κουμπί απασφάλισης	D-2	Διακόπτης ενεργοποίησης μεταβλητής ταχύτητας
-----	--------------------	-----	--

### ΕΠΙΛΟΓΗ ΚΑΤΕΥΘΥΝΣΗΣ ΚΑΙ ΤΑΧΥΤΗΤΑΣ ΠΕΡΙΣΤΡΟΦΗΣ (Εικ. E)

Κρατήστε τη δεξιά λαβή με το δεξί σας χέρι.

- Πιέστε τον επιλογέα στη θέση «2» για να ενεργοποιήσετε την περιστροφή προς τα εμπρός με υψηλή ταχύτητα.
- Πιέστε τον επιλογέα στη θέση «1» για να ενεργοποιήσετε την περιστροφή προς τα εμπρός με χαμηλή ταχύτητα.
- Πιέστε τον επιλογέα στη θέση «R» για να ενεργοποιήσετε την αντίστροφη περιστροφή.

**ΣΗΜΕΙΩΣΗ:** Η αλλαγή κατεύθυνσης περιστροφής μεταξύ κίνησης προς τα εμπρός και πίσω είναι δυνατή μόνο όταν η κεφαλή ισχύος έχει σταματήσει.

**ΣΗΜΕΙΩΣΗ:** Η ρύθμιση της ταχύτητας κίνησης προς τα εμπρός μπορεί να επιτευχθεί ανά πάσα στιγμή, ανεξάρτητα από το αν η κεφαλή ισχύος έχει ξεκινήσει ή σταματήσει.

E-1	Επιλογέας κατεύθυνσης περιστροφής / ταχύτητας
-----	---

## ΕΝΔΕΙΞΗ ΚΑΤΑΣΤΑΣΗΣ

Η κεφαλή ισχύος της αρίδας διαθέτει ένδειξη κατάστασης LED για την ένδειξη της κατάστασης λειτουργίας του μηχανήματος. Η ένδειξη LED ανάβει μόνο, εφόσον η κεφαλή ισχύος έχει τεθεί σε λειτουργία.

LED ΕΝΔΕΙΞΗΣ ΚΑΤΑΣΤΑΣΗΣ	ΚΑΤΑΣΤΑΣΗ ΛΕΙΤΟΥΡΓΙΑΣ	ΕΝΕΡΓΕΙΑ
Σταθερά πράσινη	Η κεφαλή ισχύος λειτουργεί κανονικά.	Κανονική λειτουργία. Δεν απαιτείται καμία ενέργεια.
Ανάβει σταθερά κόκκινη	Η κεφαλή ισχύος έχει υπερφορτωθεί.	Απελευθερώστε τη σκανδάλη, ανασηκώστε την αρίδα από την οπή και ελέγξτε τι προκαλεί την υπερφόρτωση. Μπορεί να χρειαστεί να αναζητήσετε άλλο σημείο σκαψίματος εάν κάποιο μεγάλο εμπόδιο έχει προκαλέσει διακοπή της λειτουργίας του μηχανήματος. Εάν το πρόβλημα δεν επιλύεται, επικοινωνήστε με το τμήμα εξυπηρέτησης πελατών της EGO για επίσκεψη.
	Η κεφαλή ισχύος είναι πολύ κρύα.	Απελευθερώστε τη σκανδάλη. Μεταφέρετε την αρίδα σε εσωτερικό χώρο για να ζεσταθεί.
Ανάβει σταθερά πορτοκαλί	Διάταξη προστασίας από λάκτισμα.	Απελευθερώστε τη σκανδάλη, ανασηκώστε τον αρίδα από την οπή. Επανεκκινήστε την αρίδα και χαμηλώστε την πάλι απαλά μέσα στην οπή.
Αναβοσβήνει κόκκινη	Η συστοιχία μπαταριών έχει σχεδόν αποφορτιστεί.	Φορτίστε τη συστοιχία μπαταριών.
Αναβοσβήνει πορτοκαλί	Η κεφαλή ισχύος έχει υπερθερμανθεί.	Διακόψτε τη λειτουργία της αρίδας και περιμένετε λίγο για να κρυώσει.
Αναβοσβήνει εναλλάξ πράσινο και κόκκινο χρώμα.	Βλάβη επικοινωνίας.	Επικοινωνήστε με την εξυπηρέτηση πελατών της EGO για επίσκεψη.
Το φως δεν ανάβει.	Εάν η ένδειξη LED στην συστοιχία μπαταριών αναβοσβήνει πορτοκαλί ή ανάβει κόκκινη, η συστοιχία μπαταριών έχει υπερθερμανθεί.	Αφήστε τη συστοιχία μπαταριών να κρυώσει και επανεκκινήστε την αρίδα.
	Άλλη ηλεκτρονική βλάβη.	Επικοινωνήστε με την εξυπηρέτηση πελατών της EGO για επίσκεψη.

GR

## ΣΥΝΤΗΡΗΣΗ

**⚠ ΠΡΟΕΙΔΟΠΟΙΗΣΗ:** Για την πρόληψη σοβαρού ατομικού τραυματισμού αφαιρέστε τη συστοιχία μπαταριών από το προϊόν πριν πραγματοποιήσετε συντήρηση, καθαρισμό, πριν αλλάξετε προσαρτήματα ή αφαιρέσετε υλικά από τη μονάδα.

### ΓΕΝΙΚΗ ΣΥΝΤΗΡΗΣΗ

Αποφεύγετε τη χρήση διαλυτών κατά τον καθαρισμό των πλαστικών εξαρτημάτων. Τα περισσότερα πλαστικά είναι ευπαθή στη χρήση διαφόρων τύπων διαλυτών του εμπορίου και καταστρέφονται από τη χρήση τους. Χρησιμοποιήστε ένα καθαρό πανί για την απομάκρυνση βρωμιάς, σκόνης, λαδιού, γράσου, κτλ.

**⚠ ΠΡΟΕΙΔΟΠΟΙΗΣΗ:** Μην επιτρέψετε ποτέ να έρθουν σε επαφή τα πλαστικά εξαρτήματα με υγρά φρένων, βενζίνη, πετρελαϊκά προϊόντα, διεσδυτικά λάδια, κτλ. Τα χημικά μπορούν να φθείρουν, να αποδυναμώσουν ή να καταστρέψουν τα πλαστικά εξαρτήματα με κίνδυνο σοβαρού τραυματισμού.

## ΑΠΟΘΗΚΕΥΣΗ ΤΗΣ ΚΕΦΑΛΗΣ ΙΣΧΥΟΣ

1. Αφαιρέστε τη συστοιχία μπαταριών από την ηλεκτρική κεφαλή.
2. Καθαρίστε την κεφαλή ισχύος επιμελώς πριν από την αποθήκευση.
3. Αποθηκεύετε την κεφαλή ισχύος σε ξηρό, καλά αεριζόμενο χώρο, ασφαλισμένη ή σε σημείο ψηλά μακριά από παιδιά. Μην αποθηκεύετε την κεφαλή ισχύος επάνω ή δίπλα από λιπάσματα, βενζίνη ή άλλες χημικές ουσίες.

## ΠΡΟΣΤΑΣΙΑ ΤΟΥ ΠΕΡΙΒΑΛΛΟΝΤΟΣ



Μην απορρίπτετε ηλεκτρικό εξοπλισμό, παλιές μπαταρίες και φορτιστές στα οικιακά απορρίμματα! Μεταφέρετε αυτό το προϊόν σε εξουσιοδοτημένο κέντρο ανακύκλωσης και διασθέστε το για ξεχωριστή συλλογή. Τα ηλεκτρικά εργαλεία πρέπει να επιστρέφονται σε περιβαλλοντικά συμβατή μονάδα ανακύκλωσης.

## ΑΝΤΙΜΕΤΩΠΙΣΗ ΠΡΟΒΛΗΜΑΤΩΝ

Ανατρέξτε στο αντίστοιχο εγχειρίδιο χρήσης του προσαρτήματος.

## ΕΓΓΥΗΣΗ

### ΠΟΛΙΤΙΚΗ ΕΓΓΥΗΣΗΣ EGO

Επισκεφθείτε την ιστοσελίδα [egopowerplus.eu](http://egopowerplus.eu) για όλους τους όρους και τις προϋποθέσεις της πολιτικής εγγύησης EGO.

## TÜM TALİMATLARI OKUYUN!



KULLANIM KILAVUZUNU OKUYUN

**⚠ UYARI:** Emniyet ve güvenilirliği sağlamak için tüm tamir işleri yetkili bir servis teknisyeni tarafından yapılmalıdır.

## GÜVENLİK SEMBOLÜ

Güvenlik sembollerinin amacı olası tehlikelere dikkatinizi çekmektir. Güvenlik sembolleri ve yanlarındaki açıklamalar özel dikkat ve anlayış göstermenizi gerektirir. Uyarı sembolleri kendi başlarına herhangi bir tehlikeyi gidermez. Sembollerde belirtilen talimatlar ve uyarılar uygun kaza önleme tedbirlerinin yerine geçmez.

**⚠ UYARI:** Bu makineyi kullanmadan önce "TEHLİKE," "UYARI" ve "DİKKAT" gibi tüm güvenlikle ilgili uyarı sembollerini içeren bu Kullanım Kılavuzundaki tüm güvenlik talimatlarını okuyup anladığınızdan emin olun. Aşağıdaki talimatların tamamına uyulmaması elektrik çarpması, yangın ve/veya ciddi fiziksel yaralanma ile sonuçlanabilir.

## GÜVENLİK TALİMATLARI

Bu sayfada, bu ürün üzerinde görülebilecek güvenlik sembolleri gösterilmekte ve açıklanmaktadır. Makineyi monte etmeye ve kullanmaya başlamadan önce, makineye ilişkin tüm talimatları okuyup anlayın ve bu talimatlara uyun.



Güvenlik Uyarısı



Yaralanma riskini azaltmak için kullanıcı, kullanma kılavuzunu mutlaka okumalıdır.



Kulak Koruması Takın



Koruyucu Gözlük Takın



Atık elektrikli ürünler, evsel atıklar ile birlikte bertaraf edilmemelidir. Yetkili bir geri dönüşüm merkezine teslim edilmelidir.



Bu ürün, yürürlükteki AB yönetmeliklerine uygundur.



Doğru Akım



Birleşik Krallık Uygunluğu Değerlendirildi

V

Voltaj

kg

Kilogram

IPX4

Sıçrayan suya karşı koruma

TR

## MAKİNE İÇİN GENEL GÜVENLİK UYARILARI

**⚠ UYARI:** Bu makine ile birlikte verilen tüm güvenlik uyarılarını, talimatları, resimli açıklamaları ve teknik özellikleri okuyun. Aşağıdaki talimatların tamamına uyulmaması elektrik çarpması, yangın ve/veya ciddi yaralanma ile sonuçlanabilir.

Tüm uyarı ve talimatları gelecekte başvuru amacıyla muhafaza edin.

### ÇALIŞMA ALANI GÜVENLİĞİ

- Çalışma alanını temiz tutun ve iyi aydınlatın. Karışık veya karanlık alanlar kazalara yol açar.
- Makineleri yanıcı sıvılar, benzin veya toz gibi maddelerin bulunduğu patlayıcı ortamlarda çalıştırmayın. Makineler, tozları veya dumanları tutuşturabilecek kıvılcımlar oluşturur.
- Bir makineyi kullanırken çocukları ve etraftaki kişileri uzakta tutun. Dikkatinizin dağılması kontrolü kaybetmenize neden olabilir.

### ELEKTRİK GÜVENLİĞİ

- Makine fişleri prize uygun olmalıdır. Fiş üzerinde asla değişiklik yapmayın. Topraklı (topraklamalı) makineler için herhangi bir adaptör fişi kullanmayın. Üzerinde değişiklik yapılmamış fişler ve uygun prizler elektrik çarpması riskini azaltır.
- Borular, radyatörler, fırınlar ve buzdolapları gibi topraklanmış yüzeylerle temastan kaçının. Topraklanmış yerlerle temas etmeniz halinde elektrik çarpması riski artar.
- Makineleri yağmura veya ıslak koşullara maruz bırakmayın. Makineye giren su elektrik çarpması riskini artırır.
- Kabloyu hatalı kullanmayın. Kabloyu asla makineyi taşımak, çekmek veya fişi prizden çıkarmak için kullanmayın. Kabloyu sıcaktan, yağdan, keskin kenarlardan veya hareketli parçalardan uzak tutun. Hasarlı veya birbirine dolaşmış kablolar elektrik çarpması riskini artırır.
- Bir makineyi dış mekanlarda kullanırken, dış mekan için uygun bir uzatma kablosu kullanın. Dış mekan için uygun bir kablondan kullanılması elektrik çarpması riskini azaltır.
- Makinenin rutubetli bir ortamda kullanılması gerekirse kaçak akım rölesi bulunan bir şebeke kullanın. Kaçak akım rölesi kullanılması elektrik çarpması riskini azaltır.

### KİŞİSEL GÜVENLİK

- Makineyi kullanırken daima dikkatli olun, yaptığınız işe yoğunlaşın ve sağduyulu davranın. Makineyi yorgunken ya da uyuşturucu, alkol ya da ilaç etkisi altındayken kullanmayın. Makineleri kullanırken bir anlık dikkatsizlik ciddi yaralanmayla sonuçlanabilir.
- Kişisel koruyucu ekipman kullanın. Daima koruyucu gözlük takın. Koşullara uygun toz maskesi, kaymaz emniyet ayakkabıları, kask veya işitme koruması gibi koruyucu ekipman kullanılması yaralanmaları azaltır.
- Yanlışlıkla çalıştırmaktan kaçının. Makinenin güç kaynağı ve/veya akü takımı ile bağlantısını yapmadan, kaldırmadan veya taşımadan önce açma/kapatma düğmesinin kapalı olduğundan emin olun. Parmağınız açma/kapatma düğmesinin üzerindeyken veya çalışır haldeyken makineleri taşımak kazalara davetiye çıkarır.
- Makineye takılı herhangi bir alyan veya anahtar varsa makineyi çalıştırmadan önce bunları çıkarın. Makinenin döner parçalarına takılı bir alyan veya anahtar yaralanmalara neden olabilir.
- Dengesiz bir duruşla çalışma yapmayın. Çalışma süresince ayaklarınızı sağlam basın ve dengeyi koruyun. Bu sayede beklenmedik durumlarda makine daha iyi kontrol edilebilir.
- Uygun bir şekilde giyinin. Bol giysiler giymeyin veya takı takmayın. Saçlarınızı ve elbiselerinizi hareketli parçalardan uzak tutun. Bol giysiler, takılar veya uzun saçlar hareketli parçalara takılabilir.
- Toz emme ve toplama araçlarının bağlantısı için sağlanan cihazlar varsa bunların takılı olduğundan ve düzgün bir biçimde kullanıldığından emin olun. Toz toplama araçlarının kullanımı tozdan kaynaklanabilecek tehlikeleri azaltabilir.
- Makineleri sık kullanarak edindiğiniz alışkanlık rahat olmanıza ve makinelerin güvenlik ilkelerini göz ardı etmenize neden olmamalıdır. Dikkatsiz bir hareket, bir saniyeden daha kısa bir sürede ağır yaralanmalara neden olabilir.

### MAKİNE KULLANIMI VE BAKIMI

- Makineyi zorlamayın. Uygulamanız için doğru makineyi kullanın. Doğru makine, tasarımına uygun değerlerde kullanıldığında daha iyi ve daha güvenli çalışır.
- Makinenin açma/kapatma düğmesi çalışmıyorsa makineyi kullanmayın. Açma/kapatma düğmesi ile kontrol edilemeyen herhangi bir makine tehlikelidir ve onarılması gerekir.

- Herhangi bir ayar işlemi, aksesuar değişimi veya makinenin depoya kaldırılması öncesinde fişi prizden çekin ve/veya eğer çıkarılabiliyorsa akü takımını makineden çıkarın. Bu tür önleyici güvenlik önlemleri, makinenin yanlışlıkla çalışması riskini azaltır.
- Kullanılmayan makineleri çocukların erişemeyeceği bir yerde saklayın ve makine veya bu talimatlar hakkında bilgi sahibi olmayan kişilerin makineyi çalıştırmasına izin vermeyin. Makineler eğitimsiz kullanıcıların elinde tehlikelidir.
- Makinelerin ve aksesuarların bakımını yapın. Hareketli parçaların kusursuz olarak işlev görmediğini ve sıkışıp sıkışmadığını, parçaların hasarlı olup olmadığını ve makinenin çalışmasını etkileyebilecek tüm diğer koşulları kontrol edin. Hasar görmüşse kullanmadan önce makineyi tamir ettirin. Kazaların çoğu, makine bakımının yeterli şekilde yapılmamasından kaynaklanır.
- Kesici makineleri keskin ve temiz tutun. Keskin kesim kenarlarına sahip, bakımı düzgün yapılmış kesim makineleri daha az sorun çıkarır ve kontrolü kolaydır.
- Makineyi, aksesuarlarını ve makine uçlarını vb. çalışma şartlarını ve yapılacak işi dikkate alarak bu talimatlara uygun şekilde kullanın. Makinenin kullanım amacı dışındaki işlerde kullanılması tehlikeli durumlara neden olabilir.
- Tutma saplarını/kollarını ve kavrama yüzeylerini kuru, temiz, benzin ve yağdan uzak tutun. Kaygan tutma kolları ve kavrama yüzeyleri, makinenin beklenmeyen durumlarda güvenli bir şekilde tutulmasına ve kontrol edilmesine izin vermez.

#### AKÜ İLE ÇALIŞAN MAKİNELERİN KULLANIMI VE BAKIMI

- Sadece üretici tarafından belirtilen şarj cihazı ile şarj edin. Bir akü/batarya takımı türü için uygun olan şarj cihazı, başka bir akü/batarya ile kullanıldığında yangın riski oluşturabilir.
- Makineleri sadece özel olarak tasarlanan akü takımlarıyla birlikte kullanın. Başka akü/batarya takımlarının kullanımı yaralanma ve yangın tehlikesi oluşturabilir.
- Akü/batarya takımı kullanımda olmadığı durumlarda akü/batarya takımını ataş, bozuk para, anahtar, çivi, vida veya akü/batarya kutupları arasında kısa devre yapabilecek diğer metal nesnelere uzak tutun. Akü kutuplarının kısa devre yapılması yangın veya yanıklara neden olabilir.
- Kötü şartlar altında aküden/bataryadan sıvı akışı olabilir; bu sıvı ile temas etmekten kaçının. Yanlışlıkla temas edilirse etkilenen bölgeyi su ile

yıkayın. Sıvı göze temas ederse ayrıca tıbbi yardım alın. Aküden/bataryadan akan sıvı tahriş veya yanıklara neden olabilir.

- Hasarlı veya üzerinde değişiklik yapılmış bir akü takımını veya makineyi kullanmayın. Hasarlı veya üzerinde değişiklik yapılmış aküler/bataryalar yangın, patlama veya yaralanma riskine neden olacak şekilde beklenmeyen davranışlar gösterebilir.
- Akü takımını veya makineyi ateşe veya aşırı sıcaklıklara maruz bırakmayın. Ateşe veya 130°C 'nin üzerindeki sıcaklıklara maruz kalması patlamaya neden olabilir.
- Tüm şarj talimatlarına uyun ve akü takımını veya makineyi talimatlarda belirtilen sıcaklık aralığının dışındaki sıcaklıklarda şarj etmeyin. Hatalı veya belirtilen sıcaklık aralığının dışındaki sıcaklıklarda şarj etmek, aküye/bataryaya zarar verebilir ve yangın riskini artırır.

#### SERVIS

- Makinenizi sadece orijinal yedek parça kullanan yetkili bir servis personeline tamir ettirin. Bu sayede makinenin güvenliğinin korunması sağlanır.
- Asla hasarlı akü/batarya takımlarına bakım-onarım yapmayın. Akü/batarya takımlarının bakımı sadece üretici veya yetkili servisler tarafından yapılmalıdır.

## GÜÇ BAŞLIĞI İÇİN GÜVENLİK UYARILARI

- Bu güç başlığı PHA7400E sadece aşağıdaki EGO aparatlarıyla veya bu güç başlığıyla kullanım için EGO tarafından daha sonra piyasaya sürülecek ürünlerle kullanılabilir:

APARAT TÜRÜ	MODEL NUMARASI
Toprak Burgusu Ucu	ETA0800E
Buz Burgusu Ucu	ITA0800E

TR

- Çatlamış, bükülmüş veya herhangi bir şekilde hasar görmüşse burgularını değiştirin. Makinenin hasarlı bir burğu ile çalıştırılması ciddi yaralanmalara neden olabilir.
- Burguyu asla tutma kolları bel seviyesinin üzerinde olacak şekilde kullanmayın. Aksi takdirde burgunun kontrolü kısıtlanır ve yaralanma riski artar.
- Makineyi iki elinizle öngörülen tutma kollarından tutun. Kontrol kaybı yaralanmaya neden olabilir.
- Kazma aksesuarının gizli kablolarla temas edebileceği bir işlem gerçekleştirirken, elektrikli


aleti yalıtımlı kavrama yüzeylerinden tutun. "Elektrikli" bir kabloya temas eden kazma aksesuarları, makinenin metal kısımlarını da "elektrikli" yapabilir ve makineyi kullanan kişinin çarpmasına neden olabilir.

- **Elektrik çarpması riskini azaltmak için burgu makinesini asla elektrik kablolarının yakınında kullanmayın.** Makinenin gömülü elektrik kablolarına temas etmesi veya bunların yakınında kullanılması, ciddi yaralanmalara veya ölüme sonuçlanan elektrik çarpmasına neden olabilir.
- **Makineyi her zaman düşük hızda ve burgu ucu yere temas edecek şekilde çalıştırın.** Yüksek hızlarda, ucun yere temas etmeden serbestçe dönmeye izin verilirse uç bükülebilir ve bu da yaralanmaya neden olabilir.
- **Basıncı yalnızca uçla doğrudan aynı hizada uygulayın ve aşırı basınç uygulamayın.** Matkap uçları, kırılma veya kontrol kaybına neden olacak şekilde bükülebilir ve yaralanmaya neden olabilir.
- **Her zaman yere sağlam bastığınızdan emin olun.** Makineyi yüksek yerlerde kullanırken aşağıda kimsenin olmadığından emin olun.
- **Makineyi sıkı tutun.**
- **Ellerinizi dönen parçalardan uzak tutun.**
- **Makineyi çalışır durumda bırakmayın.** Makineyi sadece elde tutarak çalıştırın.
- **Makineyi çalıştırdıktan hemen sonra burgu ucuna dokunmayın.** Aşırı sıcak olabilir ve cildinizi yakabilir.
- **Makinede anormal sesler gibi bir sorun varsa derhal çalışmayı bırakın ve onarım için yerel servis merkezinizle iletişime geçin.**
- **Patlama riskini azaltmak için burgu makinesini asla su hatları ve borular dahil gömülü gaz hatlarının yakınında kullanmayın.** Gömülü su veya gaz hatlarına temas edilmesi veya bunların yakınında kullanılması, su hatlarının patlamasına ve gaz hatlarının patlamasına yol açarak ciddi yaralanma veya ölüme neden olabilir.
- **Asla burgu ucunun maksimum hız değerinden daha yüksek hızda çalıştırmayın.** Yüksek hızlarda matkap ucunun iş parçasına temas etmeden serbestçe dönmeye izin verilirse uç bükülebilir ve yaralanmaya neden olabilir.
- **Akü ile çalışan makinelerin elektrik prizine takılmalarına gerek yoktur; bu nedenle daima çalışır durumdadırlar. Makine çalışmıyorken bile olası tehlikelere karşı dikkatli olun.** Bakım veya onarım işlemi yaparken dikkatli olun.
- **Aleti hortumla yıkamayın, motor ve elektrik bağlantılarına su kaçırmamaya dikkat edin.**

- **Buz bıçakları çok keskindir. Bir delik açarken veya bıçakları değiştirirken çok dikkatli olun. Her kullanımdan sonra bıçak koruyucusunu takın.**
- **Kilitleme vidasının yerine sabitlendiğinden emin olun ve sık sık kontrol edin.**

**BU TALIMATLARI SAKLAYIN.** Talimatlara sık sık müracaat edin ve bu makineyi kullanacak diğer kişileri bilgilendirmek için kullanın. Bu makineyi başka birine ödünç verirsiniz ürünün hatalı kullanılmasını ve olası yaralanmaları önlemek için bu talimatları da ürünlle birlikte verin.

## TEKNİK ÖZELLİKLER

Voltaj		56 V 
Tork		74 Nm
Yüksüz Hız (n <sub>0</sub> )	İleri	Düşük: 0-150 / dk. Yüksek: 0-210 / dk.
	Geri	100 / dk.
Ağırlık (Akü takımı hariç)		10,2 kg

## AMBALAJ İÇERİĞİ (ŞEK. A1)

### AÇIKLAMA

#### GÜÇ BAŞLIĞINIZIN TANIYINI (Şek. A1)

1. Sol Tutma Kolu
2. Sağ Tutma Kolu
3. Dönüş Yönü/Hız Seçici
4. Kilitleme Düğmesi
5. Değişken Hız Tetiği Anahtarı
6. Akü Çıkarma Düğmesi
7. LED Gösterge
8. Güç Başlığı
9. Akü Takımı Bağlantı Noktası
10. Lokma Anahtarı (10 mm)
11. Alyan Anahtarı (5 mm)

### MONTAJ

#### TUTMA KOLLARINI TAKMA

1. Akü takımı bağlantı noktası arkaya bakacak şekilde, sağ ve sol tutma kolu borularını güç başlığı tabanındaki kavisli yuvalara takın (Şek. B1).
2. Her bir tutma kolu borusundaki iki deliği, her bir taban yuvasındaki iki delikle hizalayın.

**NOT:** Tutma kollarının sağa/sola yanlış takılması bu deliklerin hizalanmasını engeller.



3. Tutma kollarını güç başlığına sabitlemek için 8 set civata, rondela ve somun kullanın. Bunları sağlam bir şekilde sıkarak için anahtar ve 5 mm Alyan anahtarını kullanın (Şek. B2).
4. Sağ tutma kolu kablosundaki oku güç başlığı kablosundaki okla hizalayın. Ardından sağ tutma kolunun kablo fişini güç başlığının kablo soketine takın. Bunları iyice sıkın (Şek. B2).

**DİKKAT:** Kablonun hasar görmesini önlemek için montaj sırasında bükme veya kıvrıma girin.

B1-1	Sağ Tutma Kolu	B1-2	Sol Tutma Kolu
B1-3	Akü Takımı Bağlantı Noktası	B2-1	Civata
B2-2	Rondela	B2-3	Somun
B2-4	Kablo Fişi	B2-5	Kablo Soketi

#### ELEKTRİKLİ ALET BAŞLIĞI APARATINI TAKMA

**UYARI:** Bu güç başlığıyla birlikte kullanılan her isteğe bağlı aparat için Kullanım Kılavuzunun tamamını okuyup anlayın ve tüm uyarı ve talimatlara uyun. Talimatların tamamına uyulmaması elektrik çarpması, yangın ve/veya ciddi yaralanma ile sonuçlanabilir.

**UYARI:** Bu 56V güç başlığı PHA7400E sadece bu Kullanım Kılavuzu'nda belirtilen EGO aparatlarıyla veya bu güç başlığıyla kullanım için EGO tarafından daha sonra piyasaya sürülecek olan ürünlerle kullanılacak üzere tasarlanmıştır. Onaysız herhangi bir başka aparatın kullanılması ciddi yaralanmalara veya maddi hasara neden olabilir.

**UYARI:** Elektrikli alet kafası çalışırken veya akü takılı halde iken asla bir aksesuar takmayın, çıkarmayın veya ayarlamayın. Motorun durdurulmaması ve akünün çıkarılmaması ciddi yaralanmalara neden olabilir.

**GÜÇ BAŞLIĞINI ASLA BİR APARAT OLMADAN ÇALIŞTIRMAYIN.**

## ÇALIŞTIRMA

### AKÜ TAKIMINI TAKMA/ÇIKARMA

Sadece Şek. A2'de listelenen EGO akü takımlarını ve şarj cihazlarını kullanın.

**İlk kullanımdan önce tamamen şarj edin.**

#### Takmak için

Akünün çıkıntıları ile montaj yuvalarını hizalayın ve "tık" sesi duyuncaya kadar akü takımını aşağıya bastırın (Şek. C1).

#### Çıkarmak için

Akü çıkarma düğmesine basın ve akü takımını çekip çıkarın (Şek. C2).

C1-1	Montaj Yuvası	C1-2	Montaj Kanalı
C2-1	Akü Çıkarma Düğmesi		

### GÜÇ BAŞLIĞINI ÇALIŞTIRMA/DURDURMA (Şek. D)

- **Güç başlığını çalıştırmak için** kilitleme düğmesini basılı tutun ve ardından değişken hız tetiğini sıkın. Kilitleme düğmesini bırakın ve sürekli kullanım için tetiğe basmaya devam edin.

**NOT:** Değişken hız tetiği, tetik basıncı arttırdıkça daha yüksek hız ve tetik basıncı azaldıkça daha düşük hız sağlar.

- **Güç başlığını kapatmak için** tetiği bırakın ve burğu ucunun tamamen durmasını bekleyin.

D-1	Kilitleme Düğmesi	D-2	Değişken Hız Tetiği
-----	-------------------	-----	---------------------

### DÖNÜŞ YÖNÜNÜ VE HIZINI SEÇME (Şek. E)

Sağ elinizle sağ tutma kolunu tutun.

- Yüksek hızda ileri dönüşü etkinleştirmek için hız seçiciyi "2" konumuna itin.
- Düşük hızda ileri dönüşü etkinleştirmek için hız seçiciyi "1" konumuna itin.
- Ters dönüşü etkinleştirmek için seçiciyi "R" konumuna itin.

**NOT:** Dönüş yönünün ileri ve geri arasında değiştirilmesi sadece güç başlığı durdurulduğunda mümkündür.

**NOT:** İleri hız ayarı, güç başlığının çalıştırılmasına veya durdurulmasına bakılmaksızın herhangi bir zamanda yapılabilir.

E-1	Dönüş Yönü / Hız Seçici
-----	-------------------------

## DURUM GÖSTERGESİ

Burgu güç başlığı, makinenin çalışma durumunu görüntülemek için bir LED durum göstergesine sahiptir. LED gösterge sadece güç başlığı çalıştırıldığında yanar.

LED DURUM GÖSTERGESİ	ÇALIŞMA DURUMU	İŞLEM
Sabit yeşil	Güç başlığı düzgün çalışıyor.	Normal çalışma. Herhangi bir işleme gerek yoktur.
Sabit kırmızı	Güç başlığı aşırı yüklenmiştir.	Tetiği bırakın, burguyu delikten kaldırın ve aşırı yüklenmenin nedenlerini kontrol edin. Büyük bir engel makinenin durmasına neden olursa kazmak için alternatif bir yer bulmanız gerekebilir. Sorun çözülüyorsa onarım için EGO müşteri hizmetleriyle iletişime geçin.
	Güç başlığı çok soğuktur.	Tetiği bırakın. Burguyu ısıtmak için kapalı bir alana getirin.
Sabit turuncu	Geri tepmeye karşı koruma.	Tetiği bırakın, burguyu delikten kaldırın. Burguyu yeniden çalıştırın ve yavaşça deliğe geri indirin.
Yanıp sönen kırmızı	Akü takımının şarjı bitmek üzeredir.	Akü takımını şarj edin.
Yanıp sönen turuncu	Güç başlığı aşırı ısınmıştır.	Burguyu durdurun ve burguyu soğutmak için bir süre bekleyin.
Dönüşümlü yanıp sönen yeşil ve kırmızı.	İletişim arızası vardır.	Onarım için EGO Müşteri Hizmetleri ile iletişime geçin.
Işık yok.	Akü takımı üzerindeki LED gösterge turuncu renkte yanıp sönüyorsa veya kırmızı renkte yanıyorsa akü takımı aşırı ısınmıştır.	Akü takımının soğumasını bekleyin ve burguyu yeniden çalıştırın.
	Diğer elektronik hatalar.	Onarım için EGO Müşteri Hizmetleri ile iletişime geçin.

## BAKIM

**⚠ UYARI:** Ciddi yaralanmaları önlemek için bakım, temizlik, aparat değişimi veya üniteden malzeme çıkarma işlemlerinden önce akü takımını üründen çıkarın.

### GENEL BAKIM

Plastik parçaları temizlerken çözücü maddeler kullanmaktan kaçının. Çoğu plastik malzeme, çeşitli ticari çözücü türlerinden etkilenmeye yatkındır ve bu çözücü maddelerin kullanılması durumunda zarar görebilir. Kir, toz, yağ, gres, vb. gidermek için temiz bez kullanın.

**⚠ UYARI:** Fren sıvıları, benzin, petrol bazlı ürünler, içe işleyen yağlar gibi maddelerin plastik parçalara temas etmesine kesinlikle izin vermeyin. Kimyasal maddeler plastik parçalara hasar verebilir, bu tür parçaları zayıflatabilir veya parçalayabilir ve bu durum ciddi yaralanmalara neden olabilir.

## ELEKTRİKLİ ALET KAFASININ SAKLANMASI

1. Akü takımını elektrikli alet başlığından çıkarın.
2. Güç başlığını depolamadan önce tamamen temizleyin.
3. Güç başlığını çocukların ulaşamayacağı kuru, iyi havalandırılmış, kilittli veya yüksek bir yerde saklayın. Güç başlığını gübre, benzin veya diğer kimyasal maddelerin yakınına depolamayın.

## ÇEVRE KORUMASI



Elektrikli cihazları, kullanılmış aküleri ve şarj cihazını evsel atıklarla bertaraf etmeyin! Bu ürünü yetkili bir geri dönüşüm merkezine götürün ve ayrı bir şekilde toplanmasını sağlayın. Elektrikli aletler çevreyle uyumlu bir geri dönüşüm tesisine götürülmelidir.



## SORUN GİDERME

İlgili aparatın kullanım kılavuzuna bakın.

## GARANTİ

### EGO GARANTİ POLİTİKASI

EGO Garanti Politikasına ilişkin tüm hükümler ve koşullar için lütfen [egopowerplus.eu](http://egopowerplus.eu) adresindeki web sitesini ziyaret edin.

TR

## LUGEGE KÕIKI JUHISEID!



LUGEGE KASUTUSJUHENDIT

**⚠ HOIATUS!** Turvalisuse ja vastupidavuse tagamiseks peab kõiki parandustöid läbi viima kvalifitseeritud hooldustehnik.

## OHUTUSSÜMBOL

Ohutussümbolite eesmärk on pöörata tähelepanu võimalikele ohtudele. Ohutussümbolitele ja nende juures olevatele seletustele tuleb korralikult tähelepanu pöörata ja need endale selgeks teha. Ohutussümbolid iseenesest ei kõrvalda ohtu. Nendega kaasnevad juhendid ja hoiatused ei asenda asjakohaseid õnnetuste ennetamise meetmeid.

**⚠ HOIATUS!** Enne käesoleva masina kasutamist lugege kindlasti läbi ja tehke endale selgeks kõik kasutusjuhendis toodud ohutusjuhised, sh kõik ohutussümbolid, nagu „OHT“, „HOIATUS“ ja „ETTEVAATUST“. Kui allpool loetletud juhiseid ei järgita, võib tagajärjeks olla elektrilöökk, tulekahju ja/või rasked kehavigastused.

## OHUTUSJUHISED

Sel lehel on kujutatud ja kirjeldatud ohutussümboliteid, mida võib käesolevalt tootelt leida. Enne, kui üritate masinat kokku panna ja kasutada, lugege, tehke omale selgeks ja järgige kõiki juhiseid.



Ohutusteade



Vigastusohu vähendamiseks peab kasutaja enne toote kasutamist kasutusjuhendit lugema.



Kasutage kuulmiskaitsevahendeid



Kandke kaitseprille



Elektriseadmete jäätmeid ei tohi visata olmejäätmete hulka. Viige volitatud taaskäitleja juurde.



Toode vastab kohaldatavatele EÜ direktiividele.



Alalisvool



UKCA vastavusmargisega

ET

V Pinge

kg Kilogramm

IPX4 Kaitstud igast suunast tulevate pritsmete vastu

## SEADME ÜLDISED OHUTUSHOIATUSED

**⚠ HOIATUS:** Lugege läbi kõik seadmega kaasas olevad hoiatused, juhised, joonised ja andmed.

Alltoodud juhiste eiramine võib põhjustada elektrilööki, tulekahju ja/või tõsiseid vigastusi.

Säilitage hoiatused ja juhised hilisemaks kasutuseks.

### TÖÖPIIRKONNA OHUTUS

- Tööpiirkond peab olema puhas ja hästi valgustatud. Täis kuhjatud või valgustamata tööpiirkonnad võivad põhjustada õnnetusi.
- Ärge kasutage masinaid plahvatusohtlikus keskkonnas, kus leidub nt tuleohtlikke vedelikke, gaase või tolmu. Masinad tekitavad sädemeid, mis võivad süüdata tolmu või aursid.
- Masinaga töötamisel hoidke lapsed ja kõrvalised isikud eemal. Tähelepanu hajumisel võite kaotada kontrolli seadme üle.

### ELEKTRIOHUTUS

- Elektritööriistad tuleb ühendada sobivasse pistikupespa. Ärge kunagi modifitseerige pistikut mitte mingil viisil. Ärge kasutage pistikuadaptereid koos maandatud masinatega. Modifitseerimata pistikud ja sobivad pistikupesad vähendavad elektrilöögi ohtu.
- Vältige kehalist kontakti maandatud pindadega, nt torud, radiaatorid, pliidid, külmikud. Kui teie keha on maandatud, suureneb elektrilöögi oht.
- Ärge jätke masinaid vihma kätte ega märgadesse tingimustesse. Masinasse sisenev vesi suurendab elektrilöögi ohtu.
- Ärge kahjustage juhet. Ärge kasutage juhet laadija kandmiseks või tõmbamiseks ja ärge tõmmake juhtmest, kui soovite pistikut pistikupesast eemaldada. Vältige juhtme kokkupuudet kuumade esemetega, õli, teravate servade või liikuvate osadega. Kahjustatud või puntras juhe suurendab elektrilöögi ohtu.
- Masinatega välitingimustes töötamiseks kasutage välitingimustes sobivat pikendusjuhet. Välitingimustesse sobiva juhtme kasutamine vähendab elektrilöögi ohtu.
- Kui masina kasutamine niiskes kohas on vältimatu, kasutage maandusrikke vooluahela katkestajaga kaitstud toiteallikat. GFCI kasutamine vähendab elektrilöögi ohtu.

### ISIKLIK OHUTUS

- Olge tähelepanelik, töötage hoolikalt ja kasutage tervet mõistust. Ärge kasutage elektritööriista, kui olete väsinud, või ravimite, alkoholi või narkootikumide mõju all. Isegi hetkeline tähelepanematus masina kasutamise ajal võib põhjustada tõsiseid vigastusi.
- Kasutage isikukaitsevahendeid. Kandke alati silmakaitsevahendeid. Töötingimustele vastava kaitsevarustuse (nt tolmu maski, mittelibiivaste turvajalanõude, kiivri või kuulmiskaitsevahendite) kasutamine vähendab kehavigastuste ohtu.
- Vältige seadme tahtmatut käivitamist. Enne tööriista vooluvõrgu ja/või akuplokiga ühendamist ning enne tööriista kandmist või üles tõstmist veenduge, et lüliti on mitteaktiivses asendis. Masinate tassimine sõrme lüliti hoides või akuploki ühendamine, kui lüliti on sisse lülitatud, põhjustab õnnetusi.
- Enne tööriista sisselülitamist eemaldage sellelt kõik reguleerimis- ja mutrivõtmed. Elektritööriista pöörleva osa külge unustatud võtmed vms tööriistad võivad põhjustada kehavigastusi.
- Ärge küünitage liiga kaugelt. Töötage ainult kindlal pinnal ja kohtades, kus pole ohtu tasakaalu kaotada. Nii säilitate ootamatutes olukordades elektritööriista üle parema kontrolli.
- Riietuge asjakohaselt. Ärge kandke avaraid rõivaid ega ehteid. Vältige oma juuste ja riiete kokkupuudet liikuvate osadega. Avarad rõivad, ehted ja pikad juuksed võivad liikuvate osade vahele kinni jääda.
- Kui tootega on kaasas vahendid tolmuärastus- ja kogumisseadmete ühendamiseks, siis veenduge, et need seadmed on korralikult ühendatud ja asjakohases kasutuses. Tolmukogumisseadmete kasutamine vähendab tolmu seotud ohtusid.
- Isegi kui seade on teile sagedase kasutamise tulemusel harjumuspäraseks saanud, ärge laske ennast lödvaks ega ignoreerige tööriista kasutamise ohutusreegleid. Hooletuse tõttu võite saada tõsiseid vigastusi ka sekundi mürdosa jooksul.

### MASINA KASUTAMINE JA HOOLDUS

- Ärge avaldage seadmele jõudu. Kasutage konkreetseks tööks sobivat elektritööriista. Sobiva elektritööriistaga sobival kiirusel töötades saate töö tehtud kiiresti ja ohutult.
- Ärge kasutage masinat, kui lüliti ei lülita seda sisse ega välja. Iga masin, mida ei saa lülitiga juhtida, on ohtlik ja seda tuleb parandada.

ET

- Eemaldage pistik vooluvõrgust ja/või akuplokk seadme küljest, kui see on eemaldatav, enne seadme kohandamist, tarvikute vahetamist või masinate houstumist. Selliste ohutusmeetmete rakendamisel vähendate elektritööriista tahtmatu käivitamise ohtu.
- Hoidke seisvaid masinaid lastele kättesaamatus kohas ja ärge lubage masinat kasutada isikutel, kes ei tunne masinat ega neid juhiseid. Seadmed on väljaõppeta isikute käes ohtlikud.
- Hooldage nii elektritööriistu kui tarvikuid. Kontrollige, kas komponendid on korrektselt joondatud ja ega ükski osa paindunud pole ning jälgige ka muid aspekte, mis võiksid masina omadusi mõjutada. Kui see on kahjustatud, laske masin enne kasutamist parandada. Paljude õnnetuste põhjuseks on kehvasti hooldatud masinad.
- Hoidke löikemasinad teravatena ja puhtana. Korralikult hooldatud ja teravate servadega lõiketööriistad ei kiilu nii kergesti kinni ja on lihtsamini kontrollitavad.
- Kasutage seadet, selle tarvikuid, tööriistaosi jm vastavalt käesolevale juhendile, võttes arvesse töötingimusi ja teostatavat tööd. Masina mittesihipärane kasutamine võib põhjustada ohtlikke olukordi.
- Hoidke käepidemed ja haardepinnad kuivad ja puhtad ning vältige neile õli ja rasva sattumist. Libedad käepidemed ja haardepinnad takistavad seadme ohutut kasutamist ning ootamatutes olukordades käsitsemist.

## AKUSEADME KASUTAMINE JA HOOLDUS

- Kasutage laadimiseks ainult tootja poolt ette nähtud laadureid. Akulaadur, mis sobib teatud tüüpi akuplokkidele, võib põhjustada tulekahjuohtu, kui kasutada seda mõne teise akuplokkiga.
- Kasutage seadmeid ainult nende jaoks ette nähtud akuplokkidega. Mõne muu akuploki kasutamine võib põhjustada vigastus- ja tulekahjuohtu.
- Kui akuplokki ei kasutata, hoidke seda eemal muudest metallesemetest, nagu kirjaklambrid, mündid, võtmed, naelad, kruvid ja muud väikesed metallesemed, mis võivad klemmide vahel ühenduse luua. Akuklemmide lühihüendus võib põhjustada põletushaavu ja tulekahju ohtu.
- Väärkasutuse korral võib akudest eralduda akuvedeliku; vältige kokkupuudet. Kokkupuute korral loputada veega. Kui vedelik satub silma, pöörduge lisaks ka arsti poole. Akust erituv vedelik võib põhjustada ärritust või põletusi.

- Ärge kasutage kahjustunud või modifitseeritud akuplokki või tööriista. Kahjustunud või modifitseeritud akud võivad toimida ettearvamatult, mille tagajärjeks võivad olla tulekahju, plahvatus või vigastuste oht.
- Vältige akuploki või tööriista kokkupuudet tule või liiga kõrge temperatuuriga. Kokkupuude lahtise tule või temperatuuriga üle 130 °C võib põhjustada plahvatuse.
- Järgige kõiki laadimisjuhiseid ja ärge laadige akuplokki või tööriista vale temperatuuri juures (vt juhiseid). Valesti või valel temperatuuril laadimine võib kahjustada akut ja suurendada tulekahjuohtu.

## HOOLDUS

- Laske oma tööriista hooldada kvalifitseeritud remonditehnikul, kes kasutab ainult identseid originaalvaruosi. See tagab tööriista jätkuva ohutuse.
- Ärge kunagi hooldage kahjustunud akuplokke. Akuplokkide hooldust võib teostada ainult tootja või volitatud teeninduskeskus.

## TOITEPEA OHUTUSJUHISED/ HOIATUSED

- Seda PHA7400E toitepead võib kasutada ainult järgmiste EGO tarvikutega või selliste tarvikutega, mida EGO on selle toitepeaga kasutamiseks on soovitanud:

TARVIKU TÜÜP	MUDELI NUMBER
Maapuur	ETA0800E
Jääpuur	ITA0800E

- Asendage puurid, kui need on möranenud, painutatud või mistahes viisil kahjustatud. Kahjustatud puuriga masina kasutamine võib põhjustada tõsiseid vigastusi.
- Ärge kunagi kasutage puuri, mille käepidemed on vööst kõrgemal. See piirab puuri kontrollimist ja võib suurendada vigastuste ohtu.
- Hoidke masinat mõlema käega ettenähtud käepidemete juures. Kontrolli kaotamine võib põhjustada kehavigastusi.
- Hoidke masinat ainult isoleeritud kinnihoidmiskohtadest, sest lõiketera võib puutada kokku varjatud juhtmetega. Kui kaevamistarvik puutuda kokku „voolu all“ olevate juhtmetega, võib elekter levida masine katmata metallosadele ja kasutaja saada elektrilöögi.

ET

- **Elektrilöögiohu vähendamiseks ärge kasutage maapuuri kunagi mistahes maaelektriliinide läheduses.** Maaelektrikaablitega kokkupuutumine või nende läheduses kasutamine võib põhjustada tõsiseid vigastusi või surmaga lõppeva elektrilöögi.
- **Käivitage masin alati madalal kiirusel ja nii, et puuri otsik puutuks kokku maapinnaga.** Suurematel kiirustel võib puuritera painduda, kui sellel lastakse ilma maapinda puudutamata töötada, mille tagajärjel tekivad kehalised vigastused.
- **Rakendage jõudu ainult otse lõiketerale ja ärge rakendage liigselt jõudu.** Lõiketerad võivad painduda ja põhjustada seeläbi purunemist või kontrolli kaotamist ning isikukahju.
- **Veenduge alati, et teil on kindel jalgealune.** Veenduge, et masinat kõrgetes kohtades kasutades pole keegi allpool.
- **Hoidke masinat kindlalt.**
- **Hoidke käed pöörlevatest osadest eemal.**
- **Ärge jätke töötavat masinat järelevalveta. Kasutage masinat ainult käes hoides.**
- **Ärge puudutage puuri vahetult pärast töötamist.** See võib olla äärmiselt kuum ja võib nahka põletada.
- **Kui masinaga on midagi valesti, näiteks kostab ebatavalisi helisid, lõpetage kohe töötamine ja võtke remondiks ühendust kohaliku teeninduskeskusega.**
- **Plahvatusohtu vähendamiseks ärge kunagi kasutage puuri maapinnas olevate gaasitorude, sealhulgas veetorude ja torujuhtmete läheduses.** Maapinnas olevate vee- või gaasitorustikuga kokkupuutumine võib põhjustada veetorustiku lõhkemise ja gaasitorustiku plahvatuse, mis võib põhjustada tõsiseid vigastusi või surma.
- **Ärge kasutage kunagi kiirusel, mis ületab puuri maksimaalset nimikiirust.** Suurematel kiirustel võib puuritera painduda, kui sellel lastakse ilma puuritavat pinda puudutamata töötada, mille tagajärjel tekivad kehalised vigastused.
- **Akuga töötavaid masinaid pole vaja vooluvõrku ühendada, seega on nad alati töörežiimis. Olge teadlik võimalikest ohtudest ka ajal, mil masin pole sisse lülitatud.** Seadme hooldamise või remontimise ajal olge ettevaatlik.
- **Ärge peske voolikuga; vältige vee sattumist mootorisse ja elektriühenduste peale.**
- **Jääterad on väga teravad. Olge augu puurimisel või terade vahetamisel äärmiselt ettevaatlik. Pärast iga kasutuskorda pange peale terakaitse.**

- **Kontrollige sageli ja veenduge, et lukustuskrui on paigas.**

**HOIDKE NEED JUHISED ALLES.** Lugege juhendit sageli ning kasutage seda masinat kasutavate isikute väljaõpetamiseks. Kui te masinat kellelegi laenate, andke sellega kaasa ka käesolev kasutusjuhend, et vältida toote väärkasutamist ja võimalikke vigastusi.

## TEHNILISED ANDMED

Pinge		56 V
Pöördemoment		74 Nm
Koorumseta kiirus (n <sub>0</sub> )	Edasi	Väike: 0-150 / min Suur: 0-210 / min
	Vastassuunas pöörlimine	100 / min
Kaal (ilma akuplokita)		10,2 kg

## PAKENDI LOEND (Joonis A1)

## KIRJELDUS

### TUTVUGE TOITEPEAGA (Joonis A1)

1. Vasakpoolne käepide
2. Parempoolne käepide
3. Pöörlemissuuna/kiiruse valija
4. Lukustusnupp
5. Kiiruse reguleerimise päästiklüüti
6. Akuvabastusnupp
7. LED-märgutuli
8. Toitepea
9. AKUPORT
10. Mutrivõti (10 mm)
11. Kuuskantvõti (5 mm)

## KOKKUPANEK

### KÄEPIDEMETE PAIGALDAMINE

1. Kui akuport on suunatud tahapoole, sisestage parema ja vasaku käepideme torud toitepea aluse kumeratesse piludesse (Joonis B1).
2. Joondage mõlemas käepidemeturus olevad kaks aku igas aluspilus olevate kahe auguga.

**MÄRKUS:** Käepidemete vale parem/vasakule paigaldamine takistab nende aukude joondamist.

ET

- Käepidemete kinnitamiseks toitepea külge kasutage 8 komplekti polte, seibe ja mutreid. Kasutage mutrivõtit ja 5 mm kuuskantvõtit nende kindlalt pingutamiseks (Joonis B2).
- Joondage parema käepideme kaabli nool toitepea kaabli noolega. Seejärel sisestage parema käepideme kaablipistik toitepea kaablipesasse. Pingutage need kindlalt kinni (Joonis B2).

**MÄRKUS:** Kaabli kahjustuste vältimiseks ärge painutage ega keerake seda kokkupaneku ajal.

B1-1	Parempoolne käepide	B1-2	Vasakpoolne käepide
B1-3	AKUPORT	B2-1	Polt
B2-2	Seib	B2-3	Mutter
B2-4	Kaablipistik	B2-5	Kaabli pistikupes

## TOITEPEA TARIKVIKU PAIGALDAMINE

**⚠ HOIATUS!** Lugege ja mõistke kõigi valikuliste tarvikute kasutusjuhendeid ja järgige kõiki hoiatusi ja juhiseid. Juhiste eiramise tagajärjeks võib olla elektrilöökk, tulekahju ja/või tõsised kehavigastused.

**⚠ HOIATUS!** See 56 V PHA7400E toitepea on mõeldud kasutamiseks vaid käesolevas kasutusjuhendis loetletud EGO tarvikutega või tarvikutega või mida EGO on hiljem selle toitepeaga kasutamiseks kasutusele võtnud. Teiste, lubamatute, tarvikute kasutamine võib tekitada tõsiseid vigastusi isikutele või varale.

**⚠ HOIATUS:** Ärge kunagi paigaldage, eemaldage või reguleerige ühtegi lisaseadet kui mootor töötab või aku on paigaldatud. Mootori peatamata jätmine või aku eemaldamata jätmine võib põhjustada tõsiseid vigastusi. **ÄRGE KUNAGI KASUTAGE TOITEPEAD ILMA TARIKUTA.**

ET

## KASUTAMINE

### AKUPOKLI PAIGALDAMINE/EEMALDAMINE

Kasutage ainult joonisel A2 esitatud EGO akuplokke ja laadureid.

Enne esmakasutamist laadige täielikult täis.

### Paigaldamine

Joondage aku ribad paigaldusavadega ja suruge akuplokk alla, kuni kuulete klõpsatust (Joonis C1).

### Eemaldamine

Vajutage akuvabastusnuppu ja tõmmake akuplokk välja (Joonis C2).

C1-1	Paigaldusava	C1-2	Ribi
C2-1	Akuvabastusnupp		

### TOITEPEA KÄIVITAMINE/PEATAMINE (Joonis D)

■ **Toitepea sisselülitamiseks** vajutage hoidke kinni lukustusnuppu ning seejärel vajutage muutuva kiirusega päästiku lüliti. Vabastage lukustusnupp ja töö jätkamiseks vajutage endiselt päästikülilte.

**MÄRKUS:** Muutuva kiirusega päästiküliliti tagab tugevama vajutamisel suurema kiiruse ja nõrgemal vajutamisel väiksema kiiruse.

■ **Toitepea peatamiseks** vabastage päästiküliliti ja laske puuril täielikult seiskuda.

D-1	Lukustusnupp	D-2	Kiiruse reguleerimisega päästiküliliti
-----	--------------	-----	--

### PÖÖRLEMISUUNA JA KIIRUSE VALIMINE (Joonis. E)

Hoidke paremat käepidet parema käega.

- Suure kiirusega ettepoole pöörlemise aktiveerimiseks lükake valija asendisse „2”.
- Madalal kiirusega ettepoole pöörlemise aktiveerimiseks lükake valija asendisse „1”.
- Tagurpidi pöörlemise aktiveerimiseks lükake valija asendisse „R”.

**MÄRKUS:** Pöörlemisuuna vahetamine edasi- ja tagasikäigu vahel on võimalik ainult siis, kui puur on peatatud.

**MÄRKUS:** Edasisuunas saab kiirust reguleerida igal ajal, olenemata sellest, kas toitepea on käivitatud või peatatud.

E-1	Pöörlemisuuna/kiiruse valija
-----	------------------------------



## OLEKU INDIKAATOR

Puuri toitepeal on LED-oleku indikaator masina tööoleku kuvamiseks. Toiteindikaator süttib ainult toitepea käivitamisel.

LED-OLEKUINDIKAATOR	TÖÖTINGIMUSED	TOIMING
Pidev roheline	Toitepea töötab korralikult.	Normaalne töötamine. Midagi pole vaja ette võtta.
Pidev punane	Toitepea on ülekoormatud.	Vabastage päästik, tõstke puur august välja ja kontrollige ülekoormuse põhjuseid. Võimalik, et peate leidma alternatiivse kaevamiskoha, kui suur takistus on põhjustanud masina peatumise. Kui probleemi ei saa lahendada, pöörduge remondiks EGO hoolduskeskusesse.
	Toitepea on liiga külm.	Vabastage päästik. Tooge puur selle soojendamiseks siseruumidesse.
Pidev oranž	Tagasilöögivastane kaitse.	Vabastage päästik, tõstke puur august välja. Taaskäivitage puur ja laske see ettevaatlikult tagasi auku.
Vilkuv punane	Aku on tühi.	Laadige akuplokki.
Vilkuv oranž	Toitepea on ülekuumenenud.	Peatage puur ja oodake mõnda aega, et puur jahtuks.
Roheline ja punane vilguvad vaheldumisi.	Kommunikatsiooni viga.	Remondiks võtke ühendust EGO hoolduskeskusega.
Näidikutuled ei põle.	Kui ühe või mõlema akuploki LED-indikaatorid vilguvad oranžilt või põlevad punaselt, on akuplokk ülekuumenenud.	Laske akul jahtuda ja taaskäivitage puur uuesti.
	Muud elektroonikavead.	Remondiks võtke ühendust EGO hoolduskeskusega.

## HOOLDUS

**⚠ HOIATUS:** Raskete vigastuste vältimiseks eemaldage aku alati enne, kui asute seadet remontima, puhastama, tarvikuid vahetama või kinni jäänud materjale eemaldama.

### ÜLDHOOLDUS

Vältige plastosade puhastamisel lahustite kasutamist. Enamik plastmaterjalidest on vastuvõtlikud müügil olevatest lahustitest tulenevatele kahjustustele. Kasutage mustuse, tolm, õli, määrded jms eemaldamiseks puhast lappi.

**⚠ HOIATUS!** Ärge kunagi laske pidurivedelikel, bensiinil, naftapõhistel toodetel, läbistavatel õlidel jne kokku puutuda plastosadega. Kemikaalid võivad plasti kahjustada, nõrgendada või hävitada, mille tagajärjeks võib olla raske kehavigastus.

## TOITEPEA HOIUSTAMINE

- Eemaldage toitepea küljest akuplokk.
- Enne hoiustamist puhastage toitepea hoolikalt.
- Hoidke toitepead kuivas, hästi ventileerivas, lukustatud kohas ja kõrgel, lastele ligipääsmatult. Ärge hoiustage toitepead väetiste, bensiini või muude kemikaalide peal või lähedal.

## KESKKONNAKAITSE



Ärge visake elektriseadmeid, kasutatud akut ega laadurit olmeprügi hulka! Viige toode volitatud taaskäitleja juurde ja võimaldage selle komponendid sorteerituna kõrvaldada. Elektritööriistad tuleb viia keskkonnakaitsenõudeid järgivasse jäätmekäitluskeskusesse.

ET



## TÕRKEOTSING

Vaadake asjakohase tarviku kasutusjuhendit.

## GARANTII

EGO GARANTIIPÕHIMÕTTED

Täielikud EGO garantiitingimused leiate veebilehelt [egopowerplus.eu](http://egopowerplus.eu).

ET

## ПРОЧИТАЙТЕ ВСІ ІНСТРУКЦІЇ!



ПРОЧИТАЙТЕ ПОСІБНИК З ЕКСПЛУАТАЦІЇ

**⚠ ПОПЕРЕДЖЕННЯ.** Для гарантування безпеки та надійності всі ремонтні роботи повинен проводити кваліфікований технічний спеціаліст.

## СИМВОЛ БЕЗПЕКИ

Мета символів, пов'язаних із безпекою, – привернути вашу увагу до можливих небезпек. Символи безпеки та їхнє пояснення заслуговують на вашу пильну увагу та розуміння. Символи попереджень самі по собі не усувають будь-якої небезпеки. Інструкції та попередження, які вони надають, не замінюють належних заходів щодо запобігання аваріям.

**⚠ ПОПЕРЕДЖЕННЯ.** Перш ніж користуватися цією машиною, обов'язково ознайомтеся з усіма інструкціями з безпеки, наведеними в цьому посібнику користувача, зокрема з усіма символами попереджень, такими як «**НЕБЕЗПЕКА**», «**ПОПЕРЕДЖЕННЯ**» та «**ЗАСТЕРЕЖЕННЯ**». Недотримання наведених нижче вказівок може спричинити ураження електричним струмом, пожежу та/або серйозні травми.

## ПРАВИЛА ТЕХНІКИ БЕЗПЕКИ

На цій сторінці зображено та описано символи, пов'язані з безпекою, які можуть відобразитися на цьому виробі. Перш ніж намагатися зібрати та експлуатувати його, ознайомтеся з усіма інструкціями на інструменті та дотримуйтеся їх.



Попередження щодо безпеки



З метою зменшення ризику отримання травм користувач повинен прочитати посібник з експлуатації.



Надягайте засоби захисту органів слуху



Надягайте засоби захисту очей



Відходи електричних виробів не слід викидати разом із побутовим сміттям. Зверніться до авторизованого пункту переробки.



Цей виріб відповідає чинним директивам ЄС.



Постійний струм



Оцінка відповідності у Великобританії

V Напруга

kg Кілограми

IPX4 Захист від бризок води

**UK**

## ЗАГАЛЬНІ ВКАЗІВКИ З ТЕХНІКИ БЕЗПЕКИ

**⚠ ПОПЕРЕДЖЕННЯ.** Прочитайте всі попередження з безпеки, інструкції, ілюстрації та характеристики, надані з цим інструментом. Недотримання наведених нижче інструкцій може спричинити ураження електричним струмом, пожежу та/або серйозні травми.

Зберігайте всі попередження та інструкції для використання в майбутньому.

### БЕЗПЕКА РОБОЧОЇ ЗОНИ

- Робоче місце має бути чистим і гарно освітленим. Неприбрана або погано освітлена робоча зона може стати причиною нещасного випадку.
- Не працюйте з інструментом у вибухонебезпечному середовищі, наприклад за наявності легкозаймистих рідин, бензину або пилу. Під час роботи інструмента утворюються іскри, від яких можуть зайнятися пил або випари.
- Дітям і спостерігачам заборонено перебувати поруч з електроінструментом, що працює. Це може відволікати вас і призвести до втрати контролю.

### ЕЛЕКТРОБЕЗПЕКА

- Штепсельні вилки електроінструмента мають підходити до розеток. Заборонено модифікувати вилку будь-яким чином. Не використовуйте жодні перехідники для роботи із заземленими електроінструментами. Використання штепселів і розеток, у які не вносилися зміни, зменшує ризик ураження електричним струмом.
- Уникайте контакту частин тіла із заземленими поверхнями, такими як труби, батареї, плити й холодильники. У разі заземлення тіла збільшується ризик ураження електричним струмом.
- Бережіть електроінструмент від дощу та вологи. Вода, що потрапила в інструмент, підвищує ризик ураження електричним струмом.
- Поводьтесь обережно зі шнуром живлення. Ніколи не використовуйте шнур живлення для перенесення, перетягування або вимкнення інструмента. Бережіть шнур живлення від джерел тепла, мастил, гострих країв та рухомих частин. Пошкоджені або заплутані шнури живлення підвищують ризик ураження електричним струмом.

- Під час роботи з електроінструментом надворі використовуйте подовжувач, призначений для зовнішніх робіт. Використання подовжувача, призначеного для зовнішніх робіт, зменшує ризик ураження електричним струмом.
- Якщо роботи з інструментом у вологому середовищі не unikнути, скористайтеся вимикачем короткого замикання на землю. Використання ВКЗ3 зменшує ризик ураження електричним струмом.

### ОСОБИСТА БЕЗПЕКА

- Під час роботи з інструментом будьте уважні, стежте за своїми діями та мисліть розсудливо. Не працюйте з електроінструментом, якщо ви втомлені або перебуваєте під дією наркотичних речовин, алкоголю чи ліків. Навіть миттєва неуважність під час роботи з інструментом може призвести до серйозної травми.
- Використовуйте засоби особистого захисту. Завжди надягайте засоби захисту очей. Використання у відповідних умовах таких захисних засобів, як протипиловий респіратор, неслизьке захисне взуття, шолом-каска і навушники допоможе зменшити ризик травмування.
- Уникайте випадкового запуску інструмента. Перш ніж підключати електроінструмент до мережі живлення чи акумулятора, брати або переносити його, перевірте, чи встановлено перемикач у положення «вимкнено». Якщо переносити електроінструмент, тримаючи палець на вимикачі, або підключати його до джерела живлення, коли вимикач перебуває в положенні «увімкнено», це може призвести до травмування.
- Перш ніж вмикати інструмент, слід зняти всі регульовальні клинці або гайкові ключі. Якщо залишити такий ключ на рухомій частині інструмента, це може призвести до травмування.
- Не перенапружуйтеся. Завжди міцно стійте на ногах і втримуйте рівновагу. Це дає змогу краще керувати інструментом у разі виникнення непередбачуваних ситуацій.
- Одягайтеся належним чином. Не носіть вільний одяг або біжутерію. Стежте за тим, щоб волосся та одяг не потрапили на рухомі частини. Вільний одяг, біжутерія або довге волосся можуть потрапити в рухомі частини.
- Якщо пристрої обладнано системою видалення пилу, переконайтеся, що її правильно підключено та що ви використовуєте її належним

чином. Використання пристрою для збирання пилу може зменшити безпеку, пов'язану з пилом.

- Не дозволяйте навичкам, отриманим після частого використання інструментів, змусити вас стати самовпевненими та ігнорувати принципи безпеки інструмента. Недбала дія може спричинити серйозну травму протягом доли секунди.

## ВИКОРИСТАННЯ ІНСТРУМЕНТА ТА ДОГЛЯД ЗА НИМ

- Не застосовуйте силу до інструмента. Використовуйте належний електроінструмент відповідно до потреби. Правильно підібраний електроінструмент допоможе краще та безпечніше зробити роботу зі швидкістю, яка для нього передбачена.
- Не використовуйте інструмент, якщо вимикач не вмикає або не вимикає його. Усі електроінструменти, якими неможливо керувати за допомогою перемикача, становлять небезпеку й підлягають ремонту.
- Перш ніж проводити будь-які регулювання, замінювати приладдя або перед зберіганням слід вийняти штепсель з джерела живлення та/або вийняти з інструмента акумулятор, якщо він знімний. Такі запобіжні заходи безпеки зменшують ризик випадкового вмикання інструмента.
- Зберігайте інструменти, що не використовуються у недоступному для дітей місці та не дозволяйте особам, які не знайомі з інструментом або цими інструкціями, керувати ним. Електроінструменти становлять небезпеку в руках недосвідчених користувачів.
- Обслуговуйте інструменти та приладдя. Перевіряйте їх на предмет розладнання чи блокування рухомих частин, а також будь-яких обставин, які можуть вплинути на роботу інструмента. У разі пошкодження електроінструмент слід здати в ремонт, перш ніж користуватися ним. Часто нещасні випадки трапляються внаслідок неналежного технічного обслуговування інструментів.
- Тримайте ріжучі інструменти гострими й чистими. Належним чином доглянуті ріжучі інструменти з гострими ріжучими краями рідше блокуються, та ними легше керувати.
- Користуйтеся електроінструментом, приладдям і насадками для інструмента згідно з цією інструкцією, зважаючи на робочі умови та

роботу, яку слід виконати. Використання електроінструмента не за призначенням може стати причиною виникнення небезпечних ситуацій.

- Підтримуйте ручки та захватні поверхні сухими, чистими, без жиру та бруду. Слизькі ручки та захватні поверхні не дають змоги безпечно тримати та керувати інструментом у непередбачених ситуаціях.

## ВИКОРИСТАННЯ АКУМУЛЯТОРНОГО ІНСТРУМЕНТА ТА ДОГЛЯД ЗА НИМ

- Заряджайте лише за допомогою зарядного пристрою, вказаного виробником. Зарядний пристрій, який підходить для акумуляторів одного виду, може спричинити ризик пожежі у випадку його використання з іншим акумулятором.
- З інструментом слід використовувати лише призначені для нього акумуляторні батареї. Використання будь-яких інших акумуляторних батарей може призвести до травми або пожежі.
- Коли батарея не використовується, її слід тримати окремо від металевих предметів – затискачів паперу, монет, ключів, цвяхів, шурупів та інших дрібних предметів, які можуть замкнути клеми. Коротке замикання клем акумулятора може стати причиною опіків чи пожежі.
- У надто важких умовах експлуатації з акумулятора може витікати рідина; не доторкайтесь до неї. Якщо випадково ви все ж торкнулися її, слід промити це місце водою. Якщо рідина потрапила в очі, слід також звернутися до лікаря. Рідина, яка виступає з акумулятора, може спричинити подразнення або опіки.
- Не використовуйте акумуляторну батарею або інструмент, які пошкоджені або змінені. Пошкоджені або змінені акумулятори можуть мати непередбачувану поведінку, що може спричинити пожежу, вибух або ризик травмування.
- Не піддавайте акумуляторну батарею або інструмент дії вогню або високих температур. Вогонь або температура вище 130°C може спричинити вибух.
- Дотримуйтеся усіх інструкцій щодо зарядження та не заряджайте акумуляторну батарею або інструмент за межами температурного діапазону, зазначеного в інструкціях. Зарядження неналежним чином або при температурах за межами вказаного діапазону може пошкодити акумулятор і збільшити ризик виникнення пожежі.

UK

## ОБСЛУГОВУВАННЯ

- Обслуговування інструмента повинен виконувати кваліфікований ремонтник з використанням лише ідентичних запасних частин. Це забезпечить надійну роботу інструмента.
- Ніколи не ремонтуйте пошкоджені акумулятори. Сервісне обслуговування акумуляторних батарей має виконувати лише виробник або авторизовані постачальники послуг.

## ПОПЕРЕДЖЕННЯ ЩОДО БЕЗПЕКИ ВИКОРИСТАННЯ ПРИВОДНОЇ ГОЛОВКИ

- Ця приводна головка PNA7400E може використовуватися тільки з насадками EGO, наведеними нижче або представленими EGO пізніше для використання з цією приводною головою:

ТИП НАСАДКИ	НОМЕР МОДЕЛІ
Земляний бур	ETA0800E
Льодовий бур	ITA0800E

- Замініть бури, якщо вони тріснули, зігнуті або пошкоджені будь-яким іншим чином. Експлуатація машини з пошкодженим буром може призвести до серйозних травм.
- Ніколи не використовуйте бур, коли ручки перебувають вище рівня пояса. Це обмежує контроль над буром і може збільшити ризик травмування.
- Тримайте машину обома руками за призначені для цього ручки. Втрата контролю може призвести до травм.
- Під час роботи, коли землерийний інструмент може зачепити заховану електропроводку, тримайте машину за ізольовані рукоятки. Контакт землерийного інструмента з дротом під напругою призводить до появи напруги в металевих частинах інструмента, що може призвести до ураження користувача електричним струмом.
- Щоб зменшити ризик ураження електричним струмом, ніколи не використовуйте бур поблизу закопаних електричних кабелів живлення. Контакт із закопаними електричними кабелями живлення або використання поблизу них може призвести до серйозних травм або ураження електричним струмом, що призведе до смерті.

- Завжди запускайте машину на низькій швидкості та так, щоб наконечник бура торкнувся землі. На високих швидкостях свердло може зігнутися, якщо дозволити йому вільно обертатися, не торкаючись землі, що призведе до травм.
- Застосовуйте тиск тільки по прямій лінії зі свердлом і не застосовуйте надмірний тиск. Свердла можуть гнутись, що призводить до поломки або втрати контролю і може спричинити травму.
- Завжди стійте твердо. Переконайтеся, що внизу нікого немає, коли використовуєте машину на висоті.
- Міцно тримайте машину.
- Тримайте руки подалі від обертових частин.
- Не залишайте машину ввімкненою. Використовуйте машину, лише тримаючи її в руках.
- Не торкайтеся бура відразу після роботи. Він може бути дуже гарячим і призвести до опіків шкіри.
- Якщо з інструментом щось не так, наприклад ненормальні звуки, негайно припиніть роботу та зверніться до місцевого сервісного центру для ремонту.
- Щоб зменшити ризик вибуху, ніколи не використовуйте бур поблизу підземних газо- чи водопроводів чи інших труб. Контакт із підземними водо- чи газопроводами або використання поблизу них може призвести до прориву водопроводу та вибуху газопроводу, що може спричинити серйозні травми або смерть.
- Ніколи не працюйте на швидкості, вищій за максимальну номінальну швидкість бура. На високих швидкостях свердло може зігнутися, якщо дозволити йому вільно обертатися, не торкаючись заготовки, що призведе до травм.
- Акумуляторні машини не потрібно підключати до електричної розетки; отже, вони завжди в робочому стані. Будьте в курсі можливих небезпек, навіть якщо машина не працює. Будьте обережні, виконуючи технічне обслуговування чи догляд.
- Не мийте шлангом; уникайте потрапляння води в мотор та електричні з'єднання.
- Леза льодового бура дуже гострі. Будьте особливо обережні під час свердління отвору або заміни лез. Надягайте захисний кожух леза після кожного використання.
- Часто перевіряйте, чи стопорний гвинт закріплений на місці.

**ЗБЕРЕЖІТЬ ЦЮ ІНСТРУКЦІЮ.** Часто переглядайте та використовуйте їх, щоб навчати інших, хто може використовувати цей інструмент. Якщо ви надаєте комусь цю машину, надайте їм ці інструкції, щоб запобігти неналежному використанню виробу та можливим травмам.

## ТЕХНІЧНІ ХАРАКТЕРИСТИКИ

Напруга		56 В
Крутний момент		74 Нм
Швидкість холостого ходу (n <sub>0</sub> )	Вперед	Низька: 0–150 / хв Висока: 0–210 / хв
	Назад	100 / хв
Вага (без акумулятора)		10,2 кг

## ПАКУВАЛЬНИЙ СПИСОК (РИС. А1)

### ОПИС

#### ОЗНАЙОМЛЕННЯ З ПРИВІДНОЮ ГОЛОВКОЮ (рис. А1)

1. Ліва ручка
2. Права ручка
3. Перемикач напрямку обертання/швидкості
4. Кнопка блокування
5. Пусковий перемикач зі змінною швидкістю
6. Кнопка звільнення акумулятора
7. Світлодіодний індикатор
8. Приводна головка
9. Порт акумуляторної батареї
10. Торцевий ключ (10 мм)
11. Шестигранний ключ (5 мм)

### ЗБИРАННЯ

#### УСТАНОВЛЕННЯ РУЧОК

1. Повернувши акумуляторну батарею портом назад, вставте трубки правої та лівої ручок у вигнуті отвори в основі приводної головки (рис. В1).
2. Вирівняйте два отвори в кожній трубці ручки з двома отворами в кожному отворі в основі.

**ПРИМІТКА.** Неправильне встановлення ручок справа/зліва призведе до того, що ці отвори не збігатимуться.

3. Використовуйте 8 комплектів болтів, шайб і гайок, щоб закріпити ручки на приводній головці. Закріпіть їх гайковим ключем і шестигранним ключем на 5 мм (рис. В2).
4. Сумістіть стрілку на кабелі правої ручки зі стрілкою на кабелі приводної головки. Потім вставте штекер кабелю правої ручки в кабельне гніздо приводної головки. Надійно затягніть їх (рис. В2).

**ПРИМІТКА.** Щоб запобігти пошкодженню кабелю, не згинайте та не перекручуйте його під час складання.

В1-1	Права ручка	В1-2	Ліва ручка
В1-3	Порт акумуляторної батареї	В2-1	Болт
В2-2	Шайба	В2-3	Гайка
В2-4	Штекер кабелю	В2-5	Кабельне гніздо

#### УСТАНОВЛЕННЯ НАСАДКИ НА ПРИВІДНУ ГОЛОВКУ

**⚠ ПОПЕРЕДЖЕННЯ.** Ознайомтеся повністю з інструкцією користувача для кожної додаткової насадки, що використовується на цій приводній головці, і дотримуйтесь усіх попереджень та інструкцій. Недотримання всіх вказівок може спричинити ураження електричним струмом, пожежу та/або серйозні травми.

**⚠ ПОПЕРЕДЖЕННЯ.** Ця 56-вольтна приводна головка РНА7400Е призначена для використання лише з моделями насадок EGO, зазначених у цій інструкції користувача, або представлених EGO пізніше для використання з цією приводною головкою. Використання інших, недозволених насадок може призвести до серйозних травм або пошкодження майна.

**⚠ ПОПЕРЕДЖЕННЯ.** Ніколи не встановлюйте, не знімайте та не регулюйте насадки під час роботи приводної головки, або коли батарея встановлена. Якщо не зупинити мотор і не зняти батарею, це може призвести до серйозних травм. **НІКОЛИ НЕ ВИКОРИСТОВУЙТЕ ПРИВІДНУ ГОЛОВКУ БЕЗ НАСАДКИ.**

## ЕКСПЛУАТАЦІЯ

### УСТАНОВЛЕННЯ І ВИДАЛЕННЯ АКУМУЛЯТОРА

Використовуйте лише акумулятори та зарядні пристрої EGO, перелічені на рис. А2.

**Повністю зарядіть перед першим використанням.**

#### Установлення

Вирівняйте виступи на акумуляторі з кріпильними отворами та натисніть на акумуляторну батарею, доки не почуєте «кляцання» (рис. С1).

#### Від'єднання

Натисніть кнопку звільнення акумулятора та витягніть акумуляторну батарею (рис. С2).

С1-1	Кріпильний отвір	С1-2	Виступ
С2-1	Кнопка звільнення акумулятора		

### ЗАПУСК/ЗУПИНКА ПРИВІДНОЇ ГОЛОВКИ (рис. D)

- **Щоб увімкнути приводну головку**, натисніть і утримуйте кнопку блокування, а потім натисніть пусковий перемикач зі змінною швидкістю. Відпустіть кнопку блокування та продовжуйте натискати пусковий перемикач для продовження роботи.

**ПРИМІТКА.** Пусковий перемикач зі змінною швидкістю забезпечує більшу швидкість у разі збільшення тиску на тригер і меншу швидкість у разі зменшення тиску на тригер.

- **Щоб вимкнути приводну головку**, відпустіть пусковий перемикач і дайте свердлу бура повністю зупинитися.

D-1	Кнопка блокування	D-2	Пусковий перемикач зі змінною швидкістю
-----	-------------------	-----	---

### ВИБІР НАПРЯМКУ ТА ШВИДКОСТІ ОБЕРТАННЯ (рис. E)

Правою рукою візьміться за праву ручку.

- Переведіть перемикач у положення «2», щоб активувати обертання вперед на високій швидкості.
- Переведіть перемикач у положення «1», щоб активувати обертання вперед на низькій швидкості.
- Переведіть перемикач у положення «R», щоб активувати обертання назад.

**ПРИМІТКА.** Перемикач напрямку обертання між прямим і зворотним можливе, тільки коли приводна головка зупинена.

**ПРИМІТКА.** Регулювання швидкості обертання вперед можна здійснити в будь-який час, незалежно від того, запущена чи зупинена приводна головка.

E-1	Перемикач напрямку обертання / швидкості
-----	--



## ІНДИКАТОР СТАНУ

Приводна головка бора оснащена світлодіодним індикатором стану, що відображає робочий стан машини. Світлодіодний індикатор загоряється лише під час запуску приводної головки.

СВІТЛОДІОДНИЙ ІНДИКАТОР СТАНУ	УМОВИ ЕКСПЛУАТАЦІЇ	ДІЯ
Світлиться зеленим	Приводна головка працює справно.	Нормальна робота. Жодних дій виконувати не потрібно.
Світлиться червоним	Приводна головка перевантажена.	Відпустіть тригер, підніміть бур зі свердловини та перевірте причини перевантаження. Можливо, вам доведеться знайти альтернативне місце для буріння, якщо велика перешкода призвела до зупинки машини. Якщо проблему не вдається вирішити, зверніться до служби підтримки клієнтів EGO для ремонту.
	Приводна головка занадто холодна.	Відпустіть тригер. Занесіть бур у приміщення, щоб він прогрівся.
Світлиться оранжевим	Захист від віддачі.	Відпустіть тригер, підніміть бур зі свердловини. Перезапустіть бур і обережно опустіть його назад у свердловину.
Блимає червоним	Заряд акумуляторної батареї майже вичерпаний.	Зарядіть акумуляторну батарею.
Блимає оранжевим	Приводна головка перегрівається.	Зупиніть бур і зачекайте деякий час, щоб він охолов.
Блимає зеленим і червоним поперемінно.	Збій зв'язку.	Зверніться до клієнтської служби EGO для ремонту.
Світло не горить.	Якщо світлодіодний індикатор на акумуляторній батареї блимає помаранчевим або світлиться червоним, акумуляторна батарея перегрілася.	Дайте акумуляторній батареї охолонути та знову запустіть бур.
	Інша помилка електроніки.	Зверніться до клієнтської служби EGO для ремонту.

## ОБСЛУГОВУВАННЯ

**⚠ ПОПЕРЕДЖЕННЯ.** Щоб запобігти серйозним травмам, вийміть акумуляторну батарею з виробу перед обслуговуванням, очищенням, заміною насадок або видаленням матеріалу з пристрою.

### ЗАГАЛЬНИЙ ТЕХНІЧНИЙ ДОГЛЯД

Не використовуйте розчинники для очищення пластмасових деталей. Більшість пластмас чутливі до різноманітних промислових розчинників і можуть бути ними пошкоджені. Для видалення бруду, пилу, мастила тощо користуйтеся чистою ганчіркою.

**⚠ ПОПЕРЕДЖЕННЯ.** Ніколи не допускайте контакту пластмасових частин із гальмівною рідиною, бензином, нафтопродуктами, проникаючими оліями і т. ін. Хімікати можуть пошкодити, ослабити або зруйнувати пластмасу, а це загрожує серйозними травмами.

## ЗБЕРІГАННЯ ПРИВІДНОЇ ГОЛОВКИ

1. Вийміть акумуляторну батарею з приводної головки.
2. Перед зберіганням ретельно очистьте приводну головку.
3. Зберігайте приводну головку в сухому, добре провітрюваному приміщенні, під замком або на висоті, у недоступному для дітей місці. Не зберігайте приводну головку біля мінеральних добрив, бензину та інших хімікатів.

## ЗАХИСТ ДОВКІЛЛЯ



Не викидайте електричне обладнання, акумулятор і зарядний пристрій у побутові відходи! Віднесіть цей виріб авторизованому переробнику й надайте його для роздільного збирання.

Електроінструменти необхідно повернути в підприємство, що займається екологічно безпечною переробкою.

## УСУНЕННЯ НЕСПРАВНОСТЕЙ

Див. посібник користувача для насадки.

## ГАРАНТІЯ

### ПРАВИЛА ГАРАНТІЇ EGO

Відвідайте веб-сайт [egopowerplus.eu](http://egopowerplus.eu) для отримання повного тексту умов гарантійної політики EGO.

## ПРОЧЕТЕТЕ ВСИЧКИ ИНСТРУКЦИИ!



ПРОЧЕТЕТЕ РЪКОВОДСТВОТО НА ОПЕРАТОРА

**▲ ПРЕДУПРЕЖДЕНИЕ:** За да осигурите безопасността и надеждността, всички поправки трябва да се извършват от квалифициран сервизен техник.

## СИМВОЛ ЗА БЕЗОПАСНОСТ

Целта на символите за безопасност е да привлечат вниманието към възможни опасности. Символите за безопасност и обясненията към тях заслужават вашето повишено внимание и осъзнаване. Символите за безопасност сами по себе си не елиминират каквато и да е опасност. Инструкциите и предупрежденията, които предоставят не са заместители за подходящите мерки за предотвратяване на инцидент.

**▲ ПРЕДУПРЕЖДЕНИЕ:** Уверете се, че сте прочели и разбрали всички инструкции за безопасност в това Ръководство на оператора, включително всички известяващи символи за безопасност, като „ОПАСНОСТ“, „ПРЕДУПРЕЖДЕНИЕ“ и „ВНИМАНИЕ“, преди да използвате тази машина. Неспазването на всички инструкции изброени долу може да доведе до електрически удар, пожар и/или сериозно нараняване.

## ИНСТРУКЦИИ ЗА БЕЗОПАСНОСТ

Тази страница изобразява и описва символите за безопасност, които може да се появят по този продукт. Прочетете, осъзнайте и следвайте всички инструкции по машината преди предприемане на сглобяване или работа.



Сигнал за безопасност



За намаляване на опасността от нараняване, потребителят трябва да прочете ръководството на оператора.



Носете защита за слуха



Носете защита за очите



Отпадъчните електрически продукти не трябва да бъдат изхвърляни заедно с домакинския отпадък. Отнесете го до упълномощено място за рециклиране.



Този продукт е в съответствие с приложимите директиви на ЕС.



Постоянен ток



Оценено съответствие за Великобритания

V

Напрежение

kg

Килограм

IPX4

Защита от водни пръски

BG

## УКАЗАНИЯ ЗА БЕЗОПАСНА РАБОТА С МАШИНАТА

**▲ ПРЕДУПРЕЖДЕНИЕ:** Прочетете всички предупреждения за безопасност, инструкции, илюстрации и спецификации предоставени с тази машина. Неспазването на всички инструкции изброени долу може да доведе до токов удар, пожар и/или сериозно нараняване.

Запазете всички предупреждения и инструкции за бъдеща справка.

### БЕЗОПАСНОСТ НА РАБОТНАТА ЗОНА

- Поддържайте работната зона чиста и добре осветена. Разхвърляни или тъмни работни зони порождават инциденти.
- Не работете с машини в експлозивна атмосфера, като например в присъствието на запалими течности, бензин или прах. Машините създават искри, които могат да възпламенят прах или изпарения.
- Дръжте на разстояние децата и страничните лица, докато работите с машина. Разсейването може да причини загуба на контрол.

### ЕЛЕКТРИЧЕСКА БЕЗОПАСНОСТ

- Щепселите на машината трябва да съответстват на контакта. Никога не модифицирайте щепсела по какъвто и да е начин. Не използвайте какъвто и да е адаптер със заземени (замасени) машини. Немодифицираните щепсели и съответстващите контакти ще намалят риска от електрически удар.
- Избягвайте контакт на тялото със заземени повърхности като тръби, радиатори, кухненски печки и хладилници. Съществува повишена опасност от токов удар, ако тялото Ви е заземено.
- Не излагайте машините на дъжд или влажни условия. Навлизането на вода в машината ще увеличи риска от токов удар.
- Не злоупотребявайте с кабела. Никога не използвайте кабела за пренасяне, изтегляне или изключване от контакта на машината. Дръжте кабела настрана от топлина, масло, остри ръбове или движещи се части. Повредени или оплетени кабели увеличават риска от електрически удар.
- Когато работите с машина на открито, използвайте удължителен кабел подходящ за употреба на открито. Употребата на кабел

подходящ за употреба на открито намалява риска от електрически удар.

- Ако работата на машината на влажно място е неизбежна, използвайте захранване, защитено с прекъсвач на веригата при неизправно заземяване (GFCI). Използването на GFCI намалява риска от токов удар.

### ЛИЧНА БЕЗОПАСНОСТ

- Внимавайте, гледайте какво правите и използвайте здрав разум, когато работите с машина. Не използвайте машината, когато сте уморени или когато сте под влияние на наркотици, алкохол или лекарства. Момент невнимание по време на работата с машини може да доведе до сериозно нараняване.
- Използвайте лични предпазни средства. Винаги носете защита за очите. Защитно оборудване като прахови маски, не плъзгащи се безопасно обувки, твърда каска или защита за слуха използвана при подходящи условия ще намали риска от лични наранявания.
- Предотвратете непреднамерено пускане. Уверете се, че ключът е в изключена позиция, преди да свържете към захранване и/или батерия, повдигайки или носейки машината. Пренасянето на машини с пръст върху превключвателя или включването на машини, които са с включен превключвател, води до злополуки.
- Извадете всеки регулиращ ключ или гаечен ключ, преди да включите машината. Гаечен или друг ключ оставен закачен към въртящите се части на машината може да доведе до лично нараняване.
- Не се протягайте. Запазете правилна стойка и баланс по всяко време. Това позволява по-добър контрол върху машината в неподвижени ситуации.
- Облечете се подходящо. Не носете свободни дрехи или накити. Дръжте косата и дрехите си далеч от движещи се части. Свободни дрехи, накити или дълга коса, могат да бъдат хванати в движещите се части.
- Ако са предоставени устройства за свързване на прахоуловител или съоръжения за събиране, уверете се, че те са свързани и са правилно използвани. Употребата на устройства за събиране на прах може да намали рисковете свързани с прах.
- Не позволявайте на рутината, придобита от честата употреба на машини, да позволи небрежност небрежни и игнориране на принципите за безопасност при работа с машина.

Небрежно действие може да причини сериозно нараняване за части от секундата.

### УПОТРЕБА И ГРИЖА ЗА МАШИНАТА

- **Не пресилвайте машината. Използвайте правилната машина за вашето приложение.** Правилната машина ще свърши работата по-добре и по-безопасно при капацитета за който е проектирана.
- **Не използвайте машината, ако преключвателят не я включва и изключва.** Всяка машина, която не може да се управлява с преключвателя, е опасна и трябва да се ремонтира.
- **Разкачете щепсела от захранването и/или извадете батерията, ако може да се извади, от машината, преди да извършите настройки, смяна на аксесоари или съхраняване на машините.** Подобни превантивни мерки за безопасност намаляват риска от случайно стартиране на машината.
- **Съхранявайте неизползваните машини далеч от обсега на деца и не позволявайте на лица, които не са запознати с машината или тези инструкции, да работят с машината.** Машините са опасни в ръцете на необучени потребители.
- **Поддържайте машини и аксесоари.** Проверете за разместване или блокиране на подвижни части, счупване на части, и всякакви други условия, които могат да повлияят на работата на машината. Ако е повредена, поправете машината преди употреба. Много злоупотреки се причиняват от лошо поддържани машини.
- **Поддържайте режещите машини остри и чисти.** Правилно поддържани режещи машини, с остри режещи ръбове е по-малко вероятно да се заклеят и по-лесно се контролират.
- **Използвайте машината, аксесоарите, крайниците на машината и т.н. в съответствие с тези инструкции, като вземете предвид условията на работа и вида работа, която ще бъде извършвана.** Употребата на машината за дейности различни от предназначенията може да доведе до опасни ситуации.
- **Дръжте ръкохватките и повърхностите за захващане сухи, чисти и без масло и грес.** Хлъзгавите ръкохватки и места за захващане не позволяват безопасно боравене и контролиране на машината при неочаквана ситуация.

### УПОТРЕБА И ГРИЖА ЗА МАШИНА НА АКУМУЛАТОРНА БАТЕРИЯ

- **Презареждайте само със зарядното устройство определено от производителя.** Зарядно устройство, което е подходящо за един вид акумулаторна батерия може да създаде опасност от пожар, когато се използва с друга акумулаторна батерия.
- **Използвайте машините само със специфично обозначени акумулаторни батерии.** Използването на всяка друга акумулаторна батерия може да създаде риск от нараняване и пожар.
- **Когато акумулаторните батерии не са в употреба ги дръжте на разстояние от други метални обекти, като кламери, монети, ключове, пирони, отвертки или други малки метални предмети, които могат да направят свързване между клемите.** Свързване на късо на клемите на батерията може да причини изгаряне или пожар.
- **При условия на злоупотреба, може да се изхвърли течност от батерията.** Избягвайте контакт. В случай на инцидентен контакт измийте с вода. Ако течността влезе в контакт с очите, потърсете допълнително медицинска помощ. Течността изхвърлена от батерията може да причини раздразнение или изгаряния.
- **Не използвайте акумулаторна батерия или машина, които са повредени или модифицирани.** Повредените или модифицираните батерии може да проявят непредсказуемо поведение, което да доведе до пожар, експлозия или риск от нараняване.
- **Не излагайте батерията или машината на огън или прекомерна температура.** Излагане на огън или температура над 130 °C може да причини експлозия.
- **Следвайте всички инструкции за зареждане и не зареждайте батерията или машината извън температурния обхват зададен в инструкциите.** Неправилното зареждане или зареждане извън определения температурен обхват може да повреди батерията и да повиши риска от пожар.

### ОБСЛУЖВАНЕ

- **Обслужвайте вашата машина чрез квалифициран техник, като използвате само идентични резервни части.** Това ще осигури поддържането на безопасност за машината.
- **Никога не поправете повредени акумулаторни батерии.** Ремонтът на акумулаторни батерии трябва да бъде извършван от производителя или оторизиран сервиз.

**BG**

## ПРЕДУПРЕЖДЕНИЯ ЗА БЕЗОПАСНОСТ ЗА ЗАХРАНВАЩАТА ГЛАВА

- Тази захранваща глава PNA7400E може да се използва само със следните приставки на EGO или с такива, посочени от EGO за използване с тази захранваща глава:

ВИД ПРЕДСТАВКА	НОМЕР НА МОДЕЛ
Земен шнеков свредел	ETA0800E
Шнеков свредел за лед	ITA0800E

- Сменете шнековете, ако са напукани, огънати или повредени по някакъв начин. Работата с машината с повреден шнек може да доведе до сериозно нараняване.
- Никога не използвайте шнека с ръкохватки над нивото на кръста. Това ограничава контрола на шнека и може да увеличи риска от нараняване.
- Дръжте машината с двете си ръце за предназначенията за това ръкохватки. Загубата на контрол може да доведе до телесни наранявания.
- Дръжте машината само за изолираните повърхности за захващане, когато изпълнявате операция, при която изкопният аксесоар може да влезе в контакт със скрит кабел. Изкопен аксесоар в контакт с кабел под напрежение може да постави откритите метални части на машината под напрежение и може да причини на оператора електрически удар.
- За намаляване на риска от електрически удар никога не използвайте шнека близо до каквито и да било заровени електропроводи. Контактът или използването в близост до заровени електропроводи може да причини сериозно нараняване или електрически удар, водещ до смърт.
- Винаги стартирайте машината на ниска скорост и с върха на шнековия свредел в контакт със земята. При по-високи скорости е вероятно шнековият свредел да се огъне, ако се остави да се върти свободно, без да контактува със земята, което води до нараняване.
- Прилагайте натиск само в права линия със свредела и не прилагайте прекомерен натиск. Накрайниците могат да се огънат, причинявайки счупване или загуба на контрол, което води до нараняване.

- Винаги бъдете сигурни, че имате стабилен стоежа. Уверете се, че няма никой отдолу, когато използвате машината на високи места.
- Дръжте машината здраво.
- Дръжте ръцете си далеч от въртящи се части.
- Не оставяйте машината да работи. Работете с машината само когато я държите в ръка.
- Не докосвайте шнековия свредел веднага след работа. Той може да е изключително горещ и да изгори кожата ви.
- Ако нещо не е наред с машината, като необичайни звуци, незабавно спрете да работите и се свържете с местния сервизен център за ремонт.
- За да намалите риска от експлозия, никога не използвайте шнека близо до заровени газопроводи, включително водопроводи и тръби. Контактът или използването в близост до заровени водопроводи или газопроводи може да доведе до спукване на водопроводи и експлозия от газопроводи, което може да причини сериозно нараняване или смърт.
- Никога не работете с по-висока скорост от максималната скорост на шнековия свредел. При по-високи скорости е вероятно свределът да се огъне, ако се остави да се върти свободно, без да контактува с детайла, което води до нараняване.
- Машините работещи на батерии не е необходимо да се включват в електрически контакт, поради това те винаги са в работно състояние. Бъдете подготвени за възможни опасности, дори когато машината не работи. Бъдете внимателни, когато извършвате поддръжка или обслужване.
- Не измивайте с маркуч, избягвайте попадане на вода в мотора и електрическите връзки.
- Остриетата за лед са много остри. Бъдете изключително внимателни при пробиване на отвор или подмяна на остриетата. Поставете предпазителя на острието след всяка употреба.
- Често проверявайте и се уверете, че заключващият винт е затегнат на място.

**ЗАПАЗЕТЕ ТЕЗИ ИНСТРУКЦИИ.** Обръщайте се често към тях и ги използвайте за инструктиране на други, които може да използват тази машина. Ако заемете тази машина на някого, заемете им и тези инструкции, за да се предотврати злоупотреба с продукта и евентуално нараняване.

## СПЕЦИФИКАЦИИ

Напрежение		56 V
Въртящ момент		74 Nm
Скорост без натоварване (n <sub>0</sub> )	Напред	Ниски: 0-150 об/мин Високи: 0-210 об/мин
	Заден ход	100 об/мин
Тегло (без акумулаторна батерия)		10,2 кг

## ОПАКОВЪЧЕН ЛИСТ (ФИГ. А1)

### ОПИСАНИЕ

#### ЗАПОЗНАЙТЕ СЕ С ВАШАТА ЗАХРАНВАЩА ГЛАВА (фиг. А1)

1. Лява ръкохватка
2. Дясна ръкохватка
3. Селектор за посока но въртене/скорост
4. Бутон за отключване
5. Спусък превключвател за променлива скорост
6. Бутон за освобождаване на батерията
7. Светодиоден индикатор
8. Захранваща глава
9. Порт за акумулаторната батерия
10. Обхващащ гаечен ключ (10 мм)
11. Ключ за въртешен шестостен (5 мм)

## МОНТАЖ

### МОНТИРАНЕ НА РЪКОХВАТКИТЕ

1. С порта на акумулаторната батерия, обърнат назад, поставете тръбите на дясната и лявата ръкохватка в извитите прорези на основата на захранващата глава (фиг. В1).
2. Подравнете двата отвора във всяка тръба на ръкохватката с двата отвора във всеки прорез на основата.

**БЕЛЕЖКА:** Неправилният десен/ляв монтаж на ръкохватките ще попречи на подравняването на тези отвори.

3. Използвайте 8 комплекта болтове, шайби и гайки, за да закрепите ръкохватките към захранващата глава. Използвайте гаечния ключ и 5 мм ключ за въртешен шестостен, за да ги затегнете здраво (фиг. В2).

4. Подравнете стрелката на кабела на дясната ръкохватка със стрелката на кабела на захранващата глава. След това поставете кабелния щепсел на дясната ръкохватка в кабелния контакт на захранващата глава. Затегнете ги здраво (фиг. В2).

**БЕЛЕЖКА:** За да предотвратите повреда на кабела, не го огъвайте или усуквайте по време на монтажа.

V1-1	Дясна ръкохватка	V1-2	Лява ръкохватка
V1-3	Порт за акумулаторната батерия	V2-1	Болт
V2-2	Шайба	V2-3	Гайка
V2-4	Кабелен щепсел	V2-5	Кабелен контакт

### ИНСТАЛИРАНЕ НА ПРИСТАВКАТА ЗА ЗАХРАНВАЩА ГЛАВА

**⚠ ПРЕДУПРЕЖДЕНИЕ:** Прочетете и разберете цялото ръководство на оператора за всяка от опционалните приставки, използвани на тази захранваща глава и следвайте всички предупреждения и инструкции. Неспазването на всички инструкции може да доведе до токов удар, пожар и/или сериозно нараняване.

**⚠ ПРЕДУПРЕЖДЕНИЕ:** Тази 56 V захранваща глава PNA7400E е проектирана за употреба само с модели на приставки EGO, които са определени в ръководството на оператора или в последствие представени от EGO за употреба с тази захранваща глава. Използването на други неоторизирани приставки може да причини сериозно нараняване или щети по собствеността.

**⚠ ПРЕДУПРЕЖДЕНИЕ:** Никога не монтирайте, изваждайте или регулирайте приставка, докато захранващата глава работи или когато батерията е монтирана. Неспазването на спиране на мотора и изваждане на батерията може да доведе до сериозно нараняване. **НИКОГА НЕ РАБОТЕТЕ СЪС ЗАХРАНВАЩАТА ГЛАВА БЕЗ ПРИСТАВКА.**

BG

## ЕКСПЛОАТАЦИЯ

### МОНТИРАНЕ/ИЗВАЖДАНЕ НА АКУМУЛАТОРНАТА БАТЕРИЯ

Използвайте единствено акумулаторни батерии EGO и зарядни устройства изброени във Фиг. А2.

#### Заредете напълно преди първата употреба.

##### За да закрепите

Подравнете ребрата на акумулаторната батерия с монтажните жлебове и натиснете батерията надолу, докато чуete "щракване" (фиг. С1).

##### За да извадите

Натиснете бутона за освобождаване на батерията и издърпайте акумулаторната батерия навън (фиг. С2).

C1-1	Монтажен отвор	C1-2	Ребро
C2-1	Бутон за освобождаване на батерията		

### СТАРТИРАНЕ/СПИРАНЕ НА ЗАХРАНВАЩАТА ГЛАВА (фиг. D)

- **За да включите електрическата глава**, натиснете и задръжте бутона за отключване и след това натиснете спусъка за променлива скорост. Освободете бутона за отключване и продължете да стискате спусъка превключвател за продължителна работа.

**БЕЛЕЖКА:** Спусъкът превключвател с променлива скорост осигурява по-висока скорост с повишен натиск на спусъка и по-ниска скорост с намален натиск на спусъка.

- **След употребата на машината** освободете спусъка превключвател и оставете шнековия свредел да спре напълно.

D-1	Бутон за отключване	D-2	Спусък превключвател за променлива скорост
-----	---------------------	-----	--

### ИЗБИРАНЕ НА ПОСОКАТА И СКОРОСТТА НА ВЪРТЕНЕ (фиг. E)

Дръжте дясната ръкохватка с дясната си ръка.

- Натиснете селектора в положение "2", за да активирате въртенето напред с висока скорост.
- Натиснете селектора в положение "1", за да активирате въртенето напред с ниска скорост.
- Натиснете селектора в положение "R", за да активирате обратното въртене.

**БЕЛЕЖКА:** Превключването на посоката на въртене между преден и заден ход е възможно само когато захранващата глава е спряна.

**БЕЛЕЖКА:** Регулирането на скоростта на движение може да се извърши по всяко време, независимо дали захранващата глава е пусната или спряна.

E-1	Селектор за посока на въртене / скорост
-----	---



## ИНДИКАТОР ЗА СЪСТОЯНИЕТО

В захранващата глава на шнека има светодиоден индикатор за състоянието, който показва работното състояние на машината. Светодиодният ще свети само когато захранващата глава е стартирана.

СВЕТОДИОДЕН ИНДИКАТОР ЗА СЪСТОЯНИЕТО	РАБОТНО СЪСТОЯНИЕ	ДЕЙСТВИЕ
Постоянно зелено	Захранващата глава работи правилно.	Нормална операция. Не е необходимо действие.
Постоянно в червено	Захранващата глава е претоварена.	Освободете спусъка, извадете шнека от отвора и проверете за причините за претоварването. Може да се наложи да намерите друго място за копаене, ако голяма пречка е довела до спиране на машината. Ако проблемът не може да бъде разрешен, свържете се с отдела за обслужване на клиенти на EGO за ремонт.
	Захранващата глава е твърде студена.	Освободете спусъка. Внесете шнека на закрито, за да го затоплите.
Постоянно оранжево	Защита срещу отката.	Освободете спусъка и извадете шнека от отвора. Рестартирайте шнека и внимателно го спуснете обратно в отвора.
Мигащо червено	Акумулаторната батерия е почти изтощена.	Заредете акумулаторната батерия.
Мигащо оранжево	Захранващата глава е прегрята.	Спрете шнека и изчакайте известно време, за да се охлади.
Червеното и зеленото мигат с редуване.	Грешка в комуникацията.	Свържете се с обслужване на клиенти на EGO за ремонт.
Няма светлина.	Ако светодиодният индикатор на акумулаторната батерия мига в оранжево или свети в червено, батерията е прегрята.	Позволете на акумулаторната батерия да се охлади и стартирайте отново шнека.
	Друга грешка в електрониката.	Свържете се с обслужване на клиенти на EGO за ремонт.

## ПОДДРЪЖКА

**⚠ ПРЕДУПРЕЖДЕНИЕ:** За да предотвратите сериозно нараняване, извадете акумулаторната батерия от продукта, преди обслужване, почистване, смяна на приставките или изваждане на материал от устройството.

### ОБЩА ПОДДРЪЖКА

Избягвайте употребата на разтворители, когато почиствате пластмасовите части. Повечето пластмасови части са уязвими на повреда от различни

видове разтворители в търговската мрежа и може да се повредят от тяхната употреба. Използвайте чиста кърпа за премахване на мръсотия, прах, масло, грес и т.н.

**⚠ ПРЕДУПРЕЖДЕНИЕ:** Никога не допускайте спирачна течност, бензин, петролни продукти, проникващи масла и т.н. да влизат в контакт с пластмасовите части. Химикалите могат да повредят, отслабят или разрушат пластмасата, което може да доведе до сериозно нараняване.

## СЪХРАНЯВАНЕ НА ЗАХРАНВАЩАТА ГЛАВА

1. Извадете акумулаторната батерия от захранващата глава.
2. Почистете изцяло захранващата глава преди съхраняване.
3. Съхранявайте захранващата глава на сухо, добре проветриво място, заключена или на високо, на недостъпно за деца място. Не съхранявайте захранващата глава в близост или върху тор, бензин или други химикали.

## ОПАЗВАНЕ НА ОКОЛНАТА СРЕДА



Не изхвърляйте електрическо оборудване, използвана батерия или зарядно устройство в домакинския отпадък! Отнесете продукта до упълномощена фирма за рециклиране и го предоставете за разделно събиране. Електрическите инструменти трябва да бъдат връщани в съоръжения за рециклиране съвместими с околната среда.

## ОТСТРАНЯВАНЕ НА ПРОБЛЕМИ

Вижте съответните приложения към ръководството на оператора.

## ГАРАНЦИЯ

### ГАРАНЦИОННА ПОЛИТИКА EGO

Моля, посетете уебсайта [egopowerplus.eu](http://egopowerplus.eu) за пълните срокове и условия по гаранционната политика на EGO.

## PROČITAJTE UPUTE U CIJELOSTI!



PROČITAJTE KORISNIČKI PRIRUČNIK

**⚠ UPOZORENJE:** Radi sigurnosti i pouzdanosti, sve popravke treba obavljati kvalificirani servisni tehničar.

## SIMBOL SIGURNOSTI

Svrha simbola sigurnosti je skretanje pozornosti na moguće opasnosti. Simboli sigurnosti i njihova objašnjenja zahtijevaju vašu potpunu pozornost i razumijevanje. Simboli upozorenja ne isključuju opasnost sami po sebi. Upute i upozorenja koja pružaju nisu zamjena za propisne mjere za prevenciju nesreća.

**⚠ UPOZORENJE:** Prije upotrebe stroja sve upute u ovom korisničkom priručniku, uključujući sve sigurnosne simbole kao što su „OPASNOST“, „UPOZORENJE“ i „OPREZ“ pročitajte s razumijevanjem. Zanemarivanje uputa navedenih u nastavku može rezultirati strujnim udarom, požarom i/ili teškim tjelesnim ozljedama.

## SIGURNOSNE NAPOMENE

Na ovoj stranici slikovno su prikazani i objašnjeni simboli sigurnosti koji se mogu pojaviti na ovom proizvodu. Prije sastavljanja i rukovanja s razumijevanjem pročitajte sve upute na stroju i pridržavajte ih se.



Upozorenje u vezi sigurnosti



Radi smanjenja opasnosti od ozljeda korisnik treba pročitati korisnički priručnik.



Nosite zaštitu za sluh



Nosite zaštitu za oči



Otpadni električni proizvodi ne smiju se odlagati s otpadom iz kućanstva. Odnosite ih u ovlaštenu centar za reciklažu.



Ovaj proizvod je u skladu s važećim direktivama EU.



Istosmjerna struja



Ispitana sukladnost u Velikoj Britaniji

V Napon

kg Kilogram

IPX4 Zaštita od prskanja vode

## OPĆA UPOZORENJA O SIGURNOSTI STROJA

**⚠ UPOZORENJE:** Pročitajte sva upozorenja, upute, ilustracije u vezi sigurnosti i tehničke podatke isporučene s ovim strojem. Zanemarivanje svih uputa navedenih u nastavku može rezultirati strujnim udarom, požarom i/ili teškim ozljedama.

Sačuvajte sva upozorenja i sve upute za buduće potrebe.

### SIGURNOST RADNOG PODRUČJA

- Radno područje održavajte čistim i dobro osvijetljenim. Pretrpana ili mračna područja izazivaju nezgode.
- Strojeve ne upotrebljavajte u eksplozivnim okruženjima, primjerice u prisutnosti zapaljivih tekućina, benzina ili prašine. Strojevi stvaraju iskre koje mogu zapaliti prašinu ili isparenja.
- Udaljite djecu i promatrače za vrijeme rada sa strojem. Ometanja mogu rezultirati gubitkom kontrole nad alatom.

### SIGURNOST OD ELEKTRIČNOG UDARA

- Utikači stroja moraju odgovarati utičnici. Nemojte raditi preinake na utikaču. Utikače s adapterom nemojte koristiti s uzemljenim strojevima. Nepreinačeni utikači i odgovarajuće utičnice smanjit će rizik od električnog udara.
- Izbjegavajte kontakt tijela s uzemljenim površinama kao što su slavine, radijatori, peći i hladnjaci. Rizik od električnog udara je veći ako je tijelo uzemljeno.
- Ne izlažite strojeve kiši ili vlažnim uvjetima. Prodiranje vode u stroj povećat će rizik od strujnog udara.
- Kabel nemojte upotrebljavati nepropisno. Kabel nemojte upotrebljavati za nošenje, povlačenje ili iskopčavanje stroja. Kabel držite podalje od topline, ulja, oštih rubova ili pokretnih dijelova. Oštećeni ili isprepleteni kabeli povećavaju rizik od strujnog udara.
- Kada strojem radite na otvorenom, upotrebljavajte produžni kabel prikladan za upotrebu na otvorenom. Upotrebom kabela prikladnog za upotrebu na otvorenom smanjuje se rizik od strujnog udara.
- Ako je upotreba stroja na vlažnom mjestu neizbježna, upotrijebite napajanje s uređajem za zaštitu od dozemnog spoja (GFCI). Korištenje istog smanjuje opasnost od strujnog udara.

HR

### OSOBNJA SIGURNOST

- Budite oprezni, gledajte što radite i vodite se načelima zdravog razuma kada radite sa strojem. Nemojte raditi sa strojem ako ste umorni ili pod utjecajem opojnih sredstava, alkohola ili lijekova. Trenutak nepažnje tijekom rada s strojem može dovesti do teške tjelesne ozljede.
- Upotrebljavajte osobnu zaštitnu opremu. Nosite zaštitu za oči. Zaštitna oprema poput maske za zaštitu od prašine, protuklizne sigurnosne obuće, kacige ili zaštite za sluh upotrijebljena za prikladne uvjete smanjit će tjelesne ozljede.
- Sprječite nenamjerno pokretanje. Prije spajanja na izvor napajanja i/ili baterijski modul, podizanja ili nošenja stroja provjerite nalazi li se sklopka u isključenom položaju. Nošenje strojeva s prstom na sklopki ili napajanje strojeva koji imaju uključenu sklopku izaziva nesreće.
- Prije uključivanja stroja uklonite sve ključeve za podešavanje ili ključeve za stezanje. Ako se ključ za stezanje ili za podešavanje ostavi na rotacijskom dijelu stroja, to može rezultirati tjelesnim ozljedama.
- Nemojte se naginjati preko alata. Cijelo vrijeme održavajte propisno držanje i ravnotežu. To će omogućiti bolju kontrolu nad strojem u neočekivanim situacijama.
- Obucite se prikladno. Nemojte nositi široku odjeću i nakit. Kosu i odjeću držite podalje od pokretnih dijelova. Pokretni dijelovi mogu zahvatiti široku odjeću, nakit ili dugu kosu.
- Ako su uređaji opremljeni priključkom za odvod i sakupljanje prašine, pobrinite se da se propisno spoje i upotrebljavaju. Upotrebom sustava za sakupljanje prašine mogu se umanjiti opasnosti koje se odnose na prašinu.
- Nemojte dopustiti da vas poznavanje stroja stečeno čestom upotrebom učini samoodpadnim te ga ignorirate sigurnosna načela za stroj. Nepažljiv rad može rezultirati teškim ozljedama u djeliću sekunde.

### UPOTREBA I ODRŽAVANJE STROJA

- Nemojte preopterećivati stroj. Koristite odgovarajući stroj za primjenu. Propisan stroj bolje će i sigurnije obaviti zadatak brzinom za koju je konstruiran.
- Nemojte koristiti stroj ako ga prekidač ne uključuje i ne isključuje. Stroj kojim nije moguće upravljati putem sklopke opasan je i potrebno ga je popraviti.
- Prije podešavanja, zamjene pribora ili skladištenja strojeva odvojite utikač od izvora napajanja i/ili uklonite baterijski modul, ako je odvojiv.

Takve preventivne sigurnosne mjere smanjuju rizik od slučajnog pokretanja stroja.

- **Neaktivni stroj čuvajte izvan dohvata djece i ne dopustite osobama koje nisu upoznate s strojem ili ovim uputama da upravljaju strojem.** Strojevi su opasni u rukama neobučениh korisnika.
- **Održavajte strojeve i pribor.** Provjerite jesu li pokretni dijelovi centrirani ili spojeni, ima li polomljenih dijelova i postoji li stanje koje može utjecati na rad stroja. **Ako je stroj oštećen, popravite ga prije uporabe.** Mnoge nezgode su nastale upravo zbog slabog održavanja stroja.
- **Rezne strojeve održavajte oštirim i čistima.** Propisno održavani rezni strojevi s oštirim reznim bridovima manje su skloni zaglavljivanju i njima se lakše upravlja.
- **Stroj, pribor, strojne nastavke i sl., upotrebljavajte u skladu s ovim uputama, uzimajući u obzir radne uvjete i zadatak koji je potrebno obaviti.** Upotreba stroja za radnje za koje nije namijenjen može rezultirati opasnim situacijama.
- **Rukohvate i površinu rukohvata održavajte suhim, čistim i očišćenim od ulja i masti.** Skliske ručke i površine rukohvata onemogućuju sigurno rukovanje i upravljanje strojem u neočekivanim situacijama.

#### UPOTREBA I ODRŽAVANJE BATERIJSKOG STROJA

- **Punjenje obavljajte samo s punjačem kojeg je naveo proizvođač.** Punjač koji je prikladan za jedan tip baterijskog modula može izazvati rizik od požara ako ga se upotrebljava s drugim baterijskim modulom.
- **Strojeve upotrebljavajte samo s izričito propisanim baterijskim modulima.** Upotreba drugih baterijskih modula može izazvati rizik od ozljeda i požara.
- **Kad se baterijski modul ne upotrebljava, držite ga podalje od drugih metalnih predmeta poput spajalica za papir, kovanica, ključeva, čavala, vijaka ili drugih malih metalnih predmeta koji mogu međusobno spojiti kontakte.** Kratko spajanje baterijskih kontakata može prouzročiti opekline ili požar.
- **U slučaju neprimjerene upotrebe, baterija može izbaciti tekućinu; izbjegavajte kontakt.** Ako slučajno dođe do doticaja, zahvaćena mjesta isperite vodom. **Ako tekućina dođe u doticaj s očima, dodatno potražite pomoć liječnika.** Tekućina koju izbaci baterija može prouzročiti nadražaj kože ili opekline.
- **Ne upotrebljavajte baterijski modul ili stroj koji je oštećen ili preinačen.** Oštećene ili preinačene baterije mogu pokazati nepredvidljivo ponašanje koje

može rezultirati požarom, eksplozijom ili opasnošću od ozljeda.

- **Baterijski modul ili stroj ne izlažite vatri ili visokim temperaturama.** Izlaganje vatri ili temperaturi višoj od 130 °C može prouzročiti eksploziju.
- **Pridržavajte se svih uputa za punjenje, a baterijski modul ili stroj nemojte puniti izvan raspona temperature navedenog u uputama.** Nepropisno punjenje ili punjenje pri temperaturama izvan okvira određenog raspona može oštetiti bateriju i povećati opasnost od požara.

#### SERVIS

- **Servisiranje stroja prepustite kvalificiranom osoblju za popravak koje koristi samo identične zamjenske dijelove.** Time će se osigurati održavanje sigurnosti stroja.
- **Ne servisirajte oštećene baterijske module.** Servisiranje baterijskog modula smiju obavljati samo proizvođač ili ovlašteni serviseri.

## SIGURNOSNA UPOZORENJA ZA POGONSKU GLAVU

- **Ova pogonska glava PHA7400E može se koristiti samo sa sljedećim EGO priključcima ili koje je tvrtka EGO naknadno uvela za upotrebu s ovom pogonskom glavom:**

VRSTA NASTAVKA	BROJ MODELA
Svrdlo za zemlju	ETA0800E
Svrdlo za led	ITA0800E


- **Zamijenite svrdla ako su napuknuta, savijena ili na bilo koji način oštećena.** Ako upotrebljavate stroj s oštećenim svrdlom, može doći do teških ozljeda.
- **Nemojte koristiti svrdlo s ručkama iznad razine struka.** Tako se ograničava kontrola nad svrdlom i povećava opasnost od ozljeda.
- **Držite stroj objema rukama za predviđene ručke.** Gubitak kontrole može rezultirati tjelesnim ozljedama.
- **Stroj držite za izolirane površine za držanje prilikom izvođenja radnje tijekom koje nastavak za kopanje može dodirnuti skrivene žice.** Ako dodatak za kopanje dotaknu kabel koji provodi struju, postoji opasnost da izloženi metalni dijelovi električnog alata isto provode struju što za rukovatelja može predstavljati opasnost od strujnog udara.

HR

- **Ne koristite svrdlo u blizini ukopanih električnih kabela da biste smanjili opasnost od strujnog udara.** Doticaj s električnim vodovima ili korištenje u njihovoj blizini može prouzročiti teške ozljede ili smrtonosni električni udar.
- **Počnite bušiti pri niskoj brzini i s vrhom svrdla u kontaktu s tlom.** Pri višim brzinama svrdlo se može saviti ako se dopusti slobodno okretanje bez doticanja tla, što može rezultirati tjelesnim ozljedama.
- **Primijenite pritisak samo u izravnoj liniji sa svrdlom i nemojte primjenjivati prekomjerni pritisak.** Svrdla se mogu saviti i prouzročiti lom ili gubitak kontrole, što može rezultirati tjelesnim ozljedama.
- **Obavezno osigurajte čvrst oslonac.** Budite sigurni da nitko nije ispod vas kada koristite stroj na visokom mjestu.
- **Čvrsto držite stroj.**
- **Držite ruke podalje od okretnih dijelova.**
- **Ne ostavljajte stroj u radu.** Upravljajte strojem samo kada ga držite u ruci.
- **Nemojte dodirivati svrdlo neposredno nakon rada.** Može biti jako vruće i može opeći kožu.
- **Ako nešto nije u redu sa strojem, poput neuobičajenih zvukova, odmah prestanite s radom i obratite se lokalnom servisnom centru radi popravka.**
- **Ne koristite svrdlo u blizini ukopanih plinovoda ili vodovodnih vodova i cijevi da biste smanjili opasnost od eksplozije.** Upotreba u blizini ukopanih vodovodnih ili plinskih vodova ili dodir s istima može dovesti do pucanja vodovodnih vodova i eksplozije plinskih vodova te, posljedično, teških ozljeda ili smrti.
- **Nemojte raditi pri brzini višoj od maksimalne brzine svrdla.** Pri višim brzinama svrdlo se može saviti ako se dopusti slobodno okretanje bez doticanja izratka, što može rezultirati tjelesnim ozljedama.
- **Baterijske strojeve nije potrebno uključivati u električnu utičnicu, stoga su oni uvijek u radnom stanju.** Imajte na umu moguće opasnosti čak i kada stroj ne radi. Budite pažljivi pri obavljanju radova održavanja ili servisiranja.
- **Uređaj ne perite s crijevom; pazite da voda ne dospjeje u motor i električne priključke.**
- **Oštrice za led vrlo su oštre.** Budite iznimno oprezni kada bušite rupu ili mijenjate noževe. Postavite štitnik oštrice nakon svake upotrebe.
- **Često provjeravajte je li vijak za zaključavanje pričvršćen na mjestu.**

**SAČUVAJTE OVE UPUTE.** Uputama se koristite često i upotrebljavajte ih za upućivanje drugih osoba koje mogu upotrebljavati ovaj stroj. Ako ovaj stroj nekom posudite, posudite i ove upute radi sprečavanja neispravnog korištenja proizvoda i mogućih ozljeda.

## TEHNIČKI PODACI

Napon		56 V 
Zakretni moment		74 Nm
Brzina bez opterećenja (n <sub>0</sub> )	Naprijed	Nisko: 0-150/min Visoki: 0 - 210/min
	Unatrag	100/min
Masa (bez baterijskog modula)		10,2 kg

## OTPREMNICA (SLIKA A1)

### OPIS

UPOZNAJTE SVOJU POGONSKU GLAVU (slika A1)

1. Lijevi rukohvat
2. Desni rukohvat
3. Odabir smjera / brzine okretanja
4. Gumb za deblokadu
5. Sklopka okidača s regulacijom brzine
6. Gumb za oslobađanje baterije
7. LED indikator
8. Pogonska glava
9. Priključak za baterijski modul
10. Nasadni ključ (10 mm)
11. Imbus ključ (5 mm)

## SASTAVLJANJE

### POSTAVLJANJE RUČKE

1. Kada je priključak za baterijski modul okrenut unatrag, umetnite cijevi desne i lijeve ručke u zakrivljene utore na bazi pogonske glave (slika B1).
2. Poravnajte dvije rupe u svakoj cijevi ručke s dvije rupe u svakom toru na bazi.

**NAPOMENA:** Nepropisno postavljanje na desnu/lijevu stranu onemogućuje poravnavanje tih rupa.

3. Upotrijebite 8 kompleta vijaka, podložaka i matica da biste pričvrstili ručke na pogonsku glavu. Čvrsto ih zategnite ključem i imbus ključem veličine 5 mm (slika B2).

4. Poravnajte strelicu na kabelu desne ručke sa strelicom na kabelu pogonske glave. Zatim umetnite kabelski utikač desne ručke u kabelsku utičnicu pogonske glave. Čvrsto ih zategnite (slika B2).

**OBAVIJEST:** Nemojte savijati kabel niti ga uvrtati tijekom sastavljanja kako ga ne biste oštetili.

B1-1	Desni rukohvat	B1-2	Lijevi rukohvat
B1-3	Priključak za baterijski modul	B2-1	Vijak
B2-2	Podloška	B2-3	Matica
B2-4	Utikač kabela	B2-5	Utičnica kabela

#### UGRADNJA PRIKLJUČKA ZA POGONSKU GLAVU

**⚠ UPOZORENJE:** Pročitajte s razumijevanjem cijeli Korisnički priručnik za svaki opcijski nastavak koji se koristi s ovom pogonskom glavom i pratite sva upozorenja i upute. Zanemarivanje uputa može rezultirati električnim udarom, požarom i/ili teškim tjelesnim ozljedama.

**⚠ UPOZORENJE:** Ova pogonska glava PHA7400E od 56 V predviđena je za upotrebu samo s EGO modelima nastavaka koji su navedeni u ovom Korisničkom priručniku ili onima koje tvrtka EGO naknadno uvela za upotrebu s ovom pogonskim glavom. Upotreba drugih, neovlaštenih nastavaka može uzrokovati teške tjelesne ozljede ili materijalnu štetu.

**⚠ UPOZORENJE:** Priključak ne montirajte, ne uklanjajte i ne podešavajte dok je pogonska glava u radu ili kada je baterija postavljena. Zanemarivanje zaustavljanja rada motora i uklanjanja baterije može rezultirati teškim tjelesnim ozljedama. **NE UPOTREBLJAVAJTE POGONSKU GLAVU BEZ NASTAVKA.**

## RAD

### POSTAVLJANJE I UKLANJANJE BATERIJSKOG MODULA

Upotrebljavajte samo s baterijskim modulima i punjačima tvrtke EGO navedenima na slici A2.

**Baterijski modul potpuno napunite prije prve upotrebe.**

#### Postavljanje

Poravnajte izbočenja baterije s montažnim utorima i utiskujte baterijski modul prema dolje dok ne začujete karakterističan zvuk (slika C1).

#### Uklanjanje

Pritisnite gumb za oslobađanje baterije i izvucite baterijski modul (slika C2).

C1-1	Utor za ugradnju	C1-2	Izbočenje
C2-1	Gumb za oslobađanje baterije		

### POKRETANJE/ZAUSTAVLJANJE POGONSKO GLAVE (slika D)

- Za pokretanje pogonske glave pritisnite i zadržite gumb za deblokadu, a zatim stisnite okidnu sklopku s regulacijom brzine. Otpustite gumb za deblokadu i nastavite stiskati okidač sklopke za kontinuirani rad.

**NAPOMENA:** Okidna sklopka za promjenjivu brzinu omogućuje veću brzinu uz jači pritisak na okidač i manju brzinu uz manji pritisak na okidač.

- **Želite li isključiti pogonsku glavu,** otpustite okidnu sklopku i pričekajte da se svrdlo potpuno zaustavi.

D-1	Gumb za deblokadu	D-2	Okidna sklopka s regulacijom brzine
-----	-------------------	-----	-------------------------------------

### ODABIR SMJERA I BRZINE OKRETANJA (slika E)

Držite desnu ručku desnom rukom.

- Gurnite birač u položaj „2” da biste aktivirali okretanje prema naprijed velikom brzinom.
- Gurnite birač u položaj „1” da biste aktivirali okretanje prema naprijed malom brzinom.
- Gurnite birač u položaj „R” da biste aktivirali okretanje unatrag.

**NAPOMENA:** Promjena smjera okretanje (naprijed/natrag) moguća je samo ako je pogonska glava zaustavljena.

**NAPOMENA:** Podešavanje brzine prema naprijed moguće je izvršiti u svakom trenutku, neovisno je li pogonska glava pokrenuta ili zaustavljena.

E-1	Odabir smjera okretanja/brzine
-----	--------------------------------

## INDIKATOR STANJA

Pogonska glava svrdla opremljena je LED indikatorom stanja koji ukazuje na radno stanje stroja. LED indikator svijetli samo ako je pogonska glava pokrenuta.

LED INDIKATOR STANJA	RADNI UVJETI	RADNJA
Stalno svijetli zeleno	Pogonska glava radi ispravno.	Normalan rad. Ne morate učiniti ništa.
Stalno svijetli crveno	Pogonska glava je preopterećena.	Otpustite okidač, podignite svrdlo iz rupe i provjerite uzroke preopterećenja. Možda ćete morati pronaći alternativno mjesto za kopanje ako je velika prepreka izazvala zaustavljanje stroja. Ako problem nije moguće riješiti, obratite se korisničkoj službi tvrtke EGO radi popravka.
	Pogonska glava je prehladna.	Otpustite okidač. Unesite svrdlo unutra da se zagrije.
Stalno svijetli narančasto	Zaštita od povratnog udara.	Otpustite okidač, podignite svrdlo iz rupe. Ponovno pokrenite svrdlo i lagano ga spustite natrag u rupu.
Trepće crveno	Baterijski modul je gotovo ispražnjen.	Napunite baterijski modul.
Trepće narančasto	Pogonska glava je pregrijana.	Zaustavite svrdlo i pričekajte neko vrijeme da se ohladi.
Naizmjenično trepće zeleno i crveno.	Pogreška u komunikaciji.	Za popravak se obratite centru korisničke službe tvrtke EGO.
Nema svjetla.	Ako LED indikator na jednom ili oba baterijska modula trepće narančasto ili svijetli crveno, baterijski modul se pregrijao.	Pričekajte da se baterijski modul ohladi pa ponovno pokrenite svrdlo.
	Druga pogreška elektronike.	Za popravak se obratite centru korisničke službe tvrtke EGO.

## ODRŽAVANJE

**⚠ UPOZORENJE:** da ne bi došlo do teške tjelesne ozljede, prije servisiranja, čišćenja, promjene priključaka ili uklanjanja materijala iz uređaja izvadite baterijski modul iz proizvoda.

### OPĆE ODRŽAVANJE

Pri čišćenju plastičnih dijelova, izbjegavajte upotrebu otapala. Većina plastičnih materijala podložna je oštećenju od različitih vrsta komercijalnih otapala i mogu se oštetiti u slučaju njihove upotrebe. Za uklanjanje nečistoće, prašine, ulja, masti i sl. upotrijebite čistu krpu.

**⚠ UPOZORENJE:** Nemojte dopustiti da koćione tekućine, benzin, proizvodi na bazi nafte, prodorna ulja i sl., dođu u doticaj s plastičnim dijelovima. Kemijska sredstva mogu oštetiti ili oslabiti ili uništiti plastiku što može rezultirati teškim tjelesnim ozljedama.

### SKLADIŠTENJE POGONSKE GLAVE

1. Prije skladištenja iz pogonske jedinice izvadite komplet baterija.
2. Pogonsku glavu dobro očistite prije skladištenja.
3. Pogonsku glavu čuvajte na suhom, dobro prozračenom mjestu koje je moguće zaključati ili koje je na visini izvan dohvata djece. Pogonsku glavu nemojte skladištiti u blizini gnojiva, benzina ili drugih kemijskih tvari ili u njihovoj blizini.

### ZAŠTITA OKOLIŠA



Električnu opremu, iskorištenu bateriju i punjač ne odlažite u otpad iz kućanstva! Ovaj proizvod odnesite u ovlaštenu centar za reciklažu i time omogućite odvojeno sakupljanje. Električne alate potrebno je vratiti u ekološki prihvatljiv pogon za reciklažu.





## RJEŠAVANJE PROBLEMA

Pogledajte Korisnički priručnik za odgovarajući nastavak.

## JAMSTVO

### PRAVILA U VEZI JAMSTVA TVRTKE EGO

Cjelokupne uvjete i odredbe pravila jamstva tvrtke EGO potražite na web-mjestu [egopowerplus.eu](http://egopowerplus.eu).

HR

## წაიკითხეთ მთლიანი ინსტრუქცია!



გაეცანით მომხმარებლის სახელმძღვანელოს



**გაფრთხილება:** უსაფრთხოებისა და საიმედოობის უზრუნველსაყოფად, ყველა სახის შეკეთება უნდა ჩატარდეს ტექ. მომსახურების კვალიფიციური სპეციალისტის მიერ.

## უსაფრთხოების სიმბოლოები

უსაფრთხოების სიმბოლოების მიზანია ყურადღების გამახვილება შესაძლო საფრთხეებზე. ყურადღებით გაეცანით უსაფრთხოების სიმბოლოებს და მათ შესაბამის განმარტებებს. საშიშროების აღმნიშვნელი სიმბოლოები თავისთავად არ ანიცტრალებს რაიმე საფრთხის არსებობის რისკს. მათ მიერ მოწოდებული მითითებები და გაფრთხილებები არ არიან შემთხვევის თავიდან აცილების სწორი პროცედურის შემცველები.



**გაფრთხილება:** მანქანის გამოყენებამდე წაიკითხეთ და გაეცანით ყველა უსაფრთხოების წესს, რომელიც მოცემულია მომხმარებლის ამ სახელმძღვანელოში, მათ შორის, ყველა უსაფრთხოების სიგნალის სიმბოლოებს, როგორცაა „საშიშროება“, „გაფრთხილება“ და „ყურადღება“. ქვემოთ ჩამოთვლილი მითითებების შეუსრულებლობამ შეიძლება გამოიწვიოს დენის დარტყმა, ხანძარი და/ან სხეულის სერიოზული დაზიანება.

## უსაფრთხოების ინსტრუქციები

ამ გვერდზე გამოსახულია და აღწერილია უსაფრთხოების სიმბოლოები, რომლებიც შეიძლება გამოჩნდეს მოცემულ პროდუქტზე. წაიკითხეთ, გაიგეთ და დაიცავით აპარატის ყველა ინსტრუქცია აწყობისა და ექსპლუატაციის დაწყებამდე.



გამაფრთხილებელი ნიშანი



დაზიანების რისკის შესამცირებლად მომხმარებელმა უნდა წაიკითხოს მომხმარებლის სახელმძღვანელო.



გაკეთეთ ყურების დამცავი



გაკეთეთ თვალების დამცავი



ელექტრო ხელსაწყოს ნარჩენები არ გადაყაროთ საყოფაცხოვრებო ნარჩენებთან ერთად. წაიღეთ ხელსაწყო ნარჩენების ავტორიზებულ გადამამუშავებელთან.



მოწყობილობა შეესაბამება EC-ის მოქმედ რეგულაციებს.



მუდმივი დენი



გავლილი აქვს დიდი ბრიტანეთის შესაბამისობის შეფასება

V

ძაბვა

kg

კილოგრამი

KA

IPX4

დაცვა წყლის მცირე ოდენობით გადასხმის შემთხვევაში

## ზოგადი გაფრთხილებები უსაფრთხოების შესახებ

**▲ გაფრთხილება:** გაეცანით ამ მოწყობილობასთან დაკავშირებულ უსაფრთხოების ყველა მითითებას, ინსტრუქციას, ილუსტრაციას და სპეციფიკაციას. ქვემოთ ჩამოთვლილი ყველა ინსტრუქციის უგულვებელყოფამ შესაძლოა გამოიწვიოს ელექტრო შოკი, ხანძარი და/ან მოგაყენოთ სერიოზული ზიანი.

**შეინახეთ ყველა მითითება და ინსტრუქცია სამომავლოდ გამოყენებისთვის.**

### სამუშაო სივრცის უსაფრთხოება

- დაიცავით სამუშაო სივრცის სისუფთავე და იქონიეთ კარგი განათება. ჩახერგილი ან ბნელი სამუშაო სივრცე იწვევს ინციდენტებს.
- არ ამუშაოთ მოწყობილობა ფეთქებად საშიშ ატმოსფეროში, როგორცაა აალებადი სითხეები, ბენზინი ან მტვერი. მოწყობილობა წარმოქმნის ნაპერწკალს, რომელმაც შესაძლოა აანთოს მტვერი ან აირი.
- ელექტრო ხელსაწყოთ სარგებლობისას მოარიდეთ მას ზავშვები და სხვა პირები. ყურადღების გაფანტვას შეუძლია გამოიწვიოს მოწყობილობაზე კონტროლის დაკარგვა.

### ელექტრო უსაფრთხოება

- მოწყობილობის დენის ჩანგალი უნდა ერგებოდეს შტეფსელის როზეტს. არასოდეს გაუკეთოთ მოწყობილობის დენის ჩანგალს მოდიფიცირება. არ გამოიყენოთ ადაპტორები ისეთი ხელსაწყოების დენის ჩანგალზე, რომელსაც აქვს დამიწება. არსებული დენის ჩანგალი და მისი შესაბამისი შტეფსელის არსებობა ამცირებს ელექტრული შოკის რისკს.
- მოერიდეთ სხეულით დამიწებულ სარგებებს ზედაპირებთან კონტაქტს, როგორცაა მილები, რადიატორები, ქურები და მაცივრები. ელექტრული შოკის მიღების რისკი იზრდება, თუ თქვენი სხეული დამიწებულია.

- არ გამოიყენოთ მოწყობილობა წვიმაში ან სველ გარემოში. ხელსაწყოში შესული წყალი ზრდის დენის დარტყმის რისკს.
- არ დაზიანოთ დენის სადენი. არასოდეს გამოიყენოთ სადენი ხელსაწყოთ სატარებლად, მოსაქაჩად ან შტეფსელიდან ამოსართველად. დაიცავით დენის სადენი სიმბურვალისგან, ზეთისგან, მჭრელი და მოძრავი საგნებისგან. დაზიანებული ან გადახლართული დენის სადენი ზრდის ელექტრო შოკის რისკს.
- მოწყობილობის გარეთ სარგებლობისთვის გამოიყენეთ დამაგრებელი, რომელიც ვარგისია გარეთ მუშაობისთვის. გარეთ მუშაობისთვის შესაბამისი ელექტრო სადენის გამოყენება ამცირებს ელექტრული შოკის რისკს.
- თუ მოწყობილობის ნესტიან გარემოში მუშაობა გარდაუვალია, გამოიყენეთ დამიწებაზე დამოკლებიანს წრედის ამორთვის დაცვის მქონე კვების წყარო. მისი გამოყენება ამცირებს ელექტრული შოკის რისკს.

### პირადი უსაფრთხოება

- მოწყობილობის გამოყენებისას იცავით ფხიზლად, იმოქმედეთ დაკვირვებით და საღი აზრის გათვალისწინებით. არ გამოიყენოთ მოწყობილობა, როდესაც ხართ დაღლილი, ან ალკოჰოლის, მედიკამენტების ან ნარკოტიკების ზემოქმედების ქვეშ. მოწყობილობით სარგებლობისას მყისიერმა უყურადღებობამ შეიძლება მოგაყენოთ სერიოზული ზიანი.
- გამოიყენეთ პერსონალური დამცავი აღჭურვილობა. ყოველთვის გაიკეთეთ თვალების დამცავი. შესაბამისი სამუშაო პირობებში დამცავი საშუალებების გამოყენება, როგორცაა მტვრის საწინააღმდეგო ნიღაბი, მოცურების საწინააღმდეგო ფეხსაცმელი, მყარი ჩაფხუტი ან სმენის დამცავი, ამცირებს სამუშაო ტრავმებს.
- მოწყობილობის დაუგეგმავი ჩართვის აღკვეთა. დარწმუნდით, რომ ჩამრთველი არის გამორთულ მდგომარეობაში მოწყობილობის დენში და/ან აკუმულატორთან შეერთებამდე, ხელსაწყოთ მალა აწევამდე ან ტარებამდე. მოწყობილობის ტარება ჩამრთველის ღილაკზე დადებული თითით ან დენში ჩართული მოწყობილობის ტარება,

KA

რომელსაც გააქტიურებული აქვს ჩართვის დილაკი, იწვევს უბედურ შემთხვევას.

- მოხსენით ნებისმიერი მიმაგრებული ატრიბუტი ან ქანჩის გასაღები მოწყობილობის ჩართვამდე. მოწყობილობის მბრუნავ ნაწილზე დამაგრებულმა ქანჩის გასაღებმა ან სხვა ატრიბუტმა შესაძლოა მოგაყენოთ სხეულის დაზიანება.
- ზედმეტად არ გადაიხაროთ. ყოველთვის დაიცავით ბალანსი და მგარად იდექით ფეხზე. ეს გაძლევთ მოულოდნელ სიტუაციებში მოწყობილობის უკეთესი კონტროლის საშუალებას.
- ჩაიცვით შესაბამისად. არ ჩაიცვათ განიერი, ფრიალა ტანსაცმელი და არ გაიკეთოთ სამკაულები. მოარიდეთ თმა და ტანსაცმელი მოძრავ ნაწილებს. განიერი, ფრიალა ტანსაცმელი, ძვირფასეულობა და თმა შესაძლოა ჩაითრიოს მოძრავმა ნაწილებმა.
- თუ არსებობს მტვრის ან ნარჩენების ამომღები და შემზოვებელი მოწყობილობები, დარწმუნდით, რომ ისინი სწორადაა შეერთებული და გამოყენებული. მტვრისთვის შემზოვებისთვის განკუთვნილი საშუალებების გამოყენებამ შესაძლოა შეამციროს მასთან დაკავშირებული საფრთხეები.
- მსგავს მოწყობილობებთან ხშირი მუშაობის დროს არ გათამამდეთ და არ უგულვებელყოთ ხელსაწყო უსაფრთხოების პრინციპების დაცვა. გაუფრთხილებელმა საქციელმა წამის მეათედშიც კი შესაძლოა მოგიტანოთ სერიოზული ზიანი.

### მოწყობილობის გამოყენება და მოვლა

- არ დაატანოთ ძალა მოწყობილობას. გამოიყენეთ მართებული მოწყობილობა თქვენი მიზნებისთვის. მართებული მოწყობილობა უკეთ და უფრო უსაფრთხოდ გააკეთებს იმ საქმეს, რომლისთვისაც განკუთვნილია.
- არ გამოიყენოთ მოწყობილობა, თუ შეუძლებელია ჩამრთველით მისი ჩართვა და გამორთვა. მოწყობილობა, რომელიც ვერ კონტროლდება ჩამრთველით, სახიფათოა და საჭიროებს შეკეთებას.
- გათიშეთ დენის ჩანაგალი მტყველიდან და/ან მოხსენით აკუმულატორის ბლოკი მოწყობილობას, თუ ეს შესაძლებელია,

ნებისმიერი რეგულირებისას, ნაწილის შეცვლისას ან ხელსაწყო შენახვამდე. მსგავსი პრევენციული უსაფრთხოების ზომები ამცირებს მოწყობილობის უცაბედი ჩართვის რისკს.

- გამორთული მოწყობილობები შეინახეთ ზავშეცხვისთვის მიუწვდომელ ადგილას და არ მისცეთ მოწყობილობის გამოყენების უფლება მისი სარგებლობის არმცოდნე ან მის ინსტრუქციაში ჩაუხედავ პირებს. მოწყობილობა გამოუცდელი პირების ხელში სახიფათოა.
  - გაუფრთხილდით მოწყობილობებს და მის ნაწილებს. შეამოწმეთ მოძრავი და შემაკავშირებელი ნაწილების ურთიერთწანაცვლება, ნაწილების დაზიანება და სხვა მდგომარეობა, რომელმაც შეიძლება გავლენა იქონიოს მოწყობილობის მუშაობაზე. დაზიანების შემთხვევაში, გამოყენებამდე შეაკეთეთ მოწყობილობა. ბევრი ინციდენტი გამოწვეულია ცუდად მოვლილი მოწყობილობის გამო.
  - საკრეკი მოწყობილობები უნდა იყოს ბასრი და სუფთა მდგომარეობაში. სათანადოდ მოვლილი საკრეკი მოწყობილობები ბასრი პირით ნაკლებად პრობლემურია და მათი კონტროლიც უფრო ადვილია.
  - გამოიყენეთ ეს მოწყობილობა, მისი ნაწილები, დამჭერები და ა.შ. ინსტრუქციების შესაბამისად, სამუშაო გარემოს და შესასრულებელი სამუშაოს ტიპის გათვალისწინებით. მოწყობილობის არადანიშნულებისამებრ გამოყენებამ შესაძლოა შექმნას სახიფათო სიტუაცია.
  - სახელურები და ხელის ჩასაჭიდი სხვა ზედაპირები იქონიეთ მშრალ და სუფთა მდგომარეობაში, მათ შორის, ცხიმისა და ზეთის გარეშე. სრიალა სახელურები და ხელის ჩასაჭიდი ზედაპირები არ იძლევა მოწყობილობის უსაფრთხოდ გამოყენების და კონტროლის საშუალებას მოულოდნელ სიტუაციებში.
- აკუმულატორის გამოყენება და მოვლა
- დატენთ მხოლოდ მწარმოებლის მიერ მითითებული დამტენი მოწყობილობით. დამტენმა მოწყობილობამ, რომელიც თავსებადია ერთი ტიპის აკუმულატორის ბლოკთან, შესაძლოა წარმოშვას ხანძრის გაჩენის რისკი სხვა აკუმულატორზე გამოყენებისას.

KA

- გამოიყენეთ მოწყობილობა მხოლოდ სპეციალურად მისთვის განკუთვნილი აკუმულატორის ბლოკებით. სხვა აკუმულატორის ბლოკების გამოყენებამ შესაძლოა წარმოშვას ფიზიკური დაზიანების ან ხანძრის რისკი.
- როდესაც აკუმულატორის ბლოკს არ იყენებთ, მთავრად იგი ლითონის საგნებს, როგორცაა ქაღალდის სამაგრები, მონეტა, გასაღები, ლურსმანი, ხრახნი ან სხვა მცირე ზომის ლითონის საგნები, რომელთაც შეუძლიათ მოახდინონ შეერთება ერთი ტერმინალიდან მეორეში. აკუმულატორის კლემების ზედდებამ შეიძლება გამოიწვიოს დამწვრობები ან ხანძარი.
- არასწორი მოპყრობის შემთხვევაში, აკუმულატორიდან შეიძლება სითხემ გამოჟონოს; მოერიდეთ მასთან შეხებას. თუ შემთხვევით შეეხეთ სითხეს, ჩამოიბანეთ წყლით. სითხის თვალებთან კონტაქტის შემთხვევაში, ექიმს მიმართეთ. აკუმულატორიდან გამოჟონილმა სითხემ შესაძლოა გამოიწვიოს გაღიზიანება ან დამწვრობა.
- არ გამოიყენოთ აკუმულატორის ბლოკი ან ხელსაწყო, რომელიც დაზიანებული ან გადაკეთებულია. დაზიანებულმა ან გადაკეთებულმა აკუმულატორმა შესაძლოა გამოავლინოს არაპროგნოზირებადი ქცევა, რამაც შეიძლება გამოიწვიოს ხანძარი, აფეთქება ან პირადი ზიანი.
- არ მოათავსოთ აკუმულატორის ბლოკი ან ხელსაწყო ცეცხლთან ან მაღალ ტემპერატურაზე. 130 °C-ზე მაღალი ტემპერატურის ზემოქმედებამ შესაძლოა აფეთქება გამოიწვიოს.
- მიყევით დატენის ინსტრუქციებს და არ დატენით აკუმულატორის ბლოკი ინსტრუქციებში მითითებული ტემპერატურის დიაპაზონის გარეთ. აკუმულატორის არასწორი ან ინსტრუქციაში მითითებული ტემპერატურის ფარგლებს მიღმა დამუხტვამ შეიძლება დააზიანოს აკუმულატორი და გაზარდოს ხანძრის რისკი.

**მომსახურება**

- მოწყობილობის ტექნომსახურება შესრულებინეთ კვალიფიციურ პირს მხოლოდ იდენტური სათადარიგო ნაწილების გამოყენებით. მსგავსი პროცედურა უზრუნველყოფს მოწყობილობის უსაფრთხოდ მუშაობას.
- არასდროს შეაკეთოთ დაზიანებული აკუმულატორის ბლოკები. აკუმულატორის ბლოკის შეკეთება უნდა უზრუნველყოს მხოლოდ მწარმოებელმა ან ავტორიზებულმა სერვის პროვაიდერებმა.

**გაფრთხილებები ძალური თავაკის უსაფრთხოების შესახებ**

- ეს PHA7400E ძალური თავაკი შეგძლიათ გამოიყენოთ მხოლოდ შემდეგ EGO-ს ხელსაწყოებთან ან რომელიმე შემდგომში იქნება წარმოდგენილი EGO-ს მიერ ამ ძალურ თავაკთან ერთად გამოსაყენებლად:

მოწყობილობის ტიპი	მოდელის ნომერი
მიწის საბურღი აპარატი	ETA0800E
ყინულის საბურღი აპარატი	ITA0800E

- შეეცალეთ საბურღი ნაწილი, თუ ის გაზარულია, გაღუნულია, ან დაზიანებულია სხვაგვარად. აპარატის დაზიანებული საბურღი ნაწილით მუშაობამ შეიძლება გამოიწვიოს სერიოზული დაზიანება.
- არასოდეს გამოიყენოთ საბურღი აპარატი სახელურებით წელის დონიდან ზემოთ. ეს ზღუდავს საბურღი აპარატის მართვას და შეიძლება გაზარდოს ტრავმის რისკი.
- დაიჭირეთ ხელსაწყო ორივე ხელით შესაბამისი სახელურებით. მართვის დაკარგვამ შესაძლოა მოგაყენოთ ფიზიკური ზიანი.
- დაიჭირეთ ხელსაწყო მხოლოდ იზოლაციის მქონე ხელსაწკიდე ზედაპირით, როცა მუშაობთ ისეთ ადგილას, სადაც საბურღი აქსესუარი შესაძლოა შეეხოს დაფარულ დენის სადენს. საბურღიმ აქსესუარმა, რომელიც ეხება მოწყობილობის გამტარ მავთულს, შეიძლება დენი გაატაროს

**KA**




ხელსაწყოს გამტარ ნაწილებში და გამოიწვიოს ოპერატორის ელექტრო შოკი.

- ელექტრო შოკის მიღების რისკის შესამცირებლად, არასოდეს გამოიყენოთ საბურღი აპარატი ნებისმიერი ელექტრო სადენის სიახლოვეს. დამარბულ დენის სადენებთან შეხებამ ან მათ ახლოს მოწყობილობის გამოყენებამ შესაძლოა გამოიწვიოს სერიოზული ზიანი ან ფატალური ელექტრული შოკი.
- ყოველთვის ჩართეთ მანქანა დაბალ სიჩქარეზე ისე, რომ საბურღი ნაწილის წვერი მიწას ეხებოდეს. უფრო მაღალ სიჩქარეზე საბურღი ნაწილი გადაიღუნება, თუ ის იტრიალებს თავისუფლად, მიწასთან შეხების გარეშე.
- გამოიყენეთ ძალა საბურღი ნაწილის მიმართ პრედაპირი ხაზის სახით და არ გამოიყენოთ ზედმეტი ძალა. საბურღი ნაწილი შეიძლება მოიღუნოს, რაც გამოიწვევს გატეხვას ან კონტროლის დაკარგვას, რასაც შეიძლება მოჰყვეს ფიზიკური დაზიანება.
- მუდამ დადებით მყარად. დარწმუნდით, რომ არავინ არის ქვემოთ, როდესაც მანქანას მაღალ ადგილებში იყენებთ.
- დაიჭირეთ ხელსაწყო მყარად.
- მუდამ მოარიდეთ ხელები მბრუნავ ნაწილებს.
- არ დატოვოთ ხელსაწყო ჩართულ მდგომარეობაში. მართეთ ხელსაწყო მხოლოდ მაშინ, როცა ხელში გიჭირავთ.
- არ შეეხოთ საბურღი ნაწილს მუშაობის შეჩერებიდან დაუყოვნებლივ. ის შეიძლება იყოს ძალიან ცხელი და დაწვას თქვენი კანი.
- თუ მანქანას რაღაც პრობლემა აქვს, როგორცაა არანორმალური ხმების გამოცემა, დაუყოვნებლივ შეწყვიტეთ მუშაობა და დაუკავშირდით ადგილობრივ სერვის ცენტრს მის გასარემონტებლად.
- ავეთქების რისკის შესამცირებლად, არასოდეს გამოიყენოთ საბურღი მოწყობილობა ჩამარბულ გაზსადენებთან, აგრეთვე წყალსადენებთან და მილებთან ახლოს. ჩამარბულ წყალსადენებთან ან გაზსადენებთან შეხებამ ან მათ სიახლოვეს გამოიყენებამ შეიძლება გამოიწვიოს წყალსადენების გასკდომა და გაზსადენების ავეთქება, რასაც შეიძლება მოჰყვეს სერიოზული ზიანი ან სიკვდილი.

- არასოდეს ამუშაოთ მოწყობილობა უფრო მაღალი სიჩქარით, ვიდრე საბურღი მოწყობილობის დასაშვები მაქსიმალური სიჩქარეა. უფრო მაღალ სიჩქარეზე მუშაობისას, თუ ის თავისუფლად ტრიალებს და სამუშაო ზედაპირს არ ეხება, საბურღი ნაწილი გადაიღუნება და შეიძლება გამოიწვიოს ფიზიკური ზიანი.
- აკუმულატორიანი მანქანების ელექტრო ქსელში შეერთება არ არის აუცილებელი; ისინი ყოველთვის მუშა მდგომარეობაში არიან. გაითვალისწინეთ შესაძლო საფრთხეები მაშინაც კი, როცა ხელსაწყო არ არის გამოყენებაში. გამოიჩინეთ სიფრთხილე, როდესაც ახდენთ ხელსაწყოს შეკეთებას ან ტექნიკურ სერვისს.
- არ გარეცხოთ ხელსაწყო წყლის მილით; მოერიდეთ პრავში და ელექტრულ შეერთებებში წყლის მოხვედრას.
- ყინულის საჭრელი პირები ძალიან ბასრია. განსაკუთრებული სიფრთხილე გამოიჩინეთ ხერელის გაბურღვისას ან პირების გამოცვლისას. ყოველი გამოყენების შემდეგ საჭრელ პირებს ჩამოაცვთ დამცავი.
- ხშირად შეამოწმეთ და დარწმუნდით, რომ საკეტი ხრახნი დამაგრებულია ადგილზე.

შეინახეთ ეს მითითებები. ხშირად იხელმძღვანელებთ მითითებებით და ასწავლეთ ისინი სხვებს, ვისაც სურთ ამ ხელსაწყოს გამოყენება. თუ ათხოვებთ ხელსაწყოს სხვა პირს, ასევე, ათხოვთ მას ეს მომხმარებლის ინსტრუქცია, რათა ალვეითოთ ხელსაწყოს არასათანადო გამოყენება და შესაძლო ზიანი.

## სპეციფიკაციები

მაბვა	56 ვოლტი 
მბრუნავი მომენტი	74 ნმ
დაუტვირთავი სიჩქარე (n <sub>0</sub> )	წინსვლა დაბალი: 0-150 / წთ მაღალი: 0-210 / წთ
	უკუსვლა
წონა (აკუმულატორების ბლოკის გარეშე)	10,2 კგ

KA

## შეფუთვის ფურცელი (ნახ. A1)

### აღწერილობა

შეისწავლეთ თქვენი ხელსაწყოს ძალური თავაკი (ნახ. A1)

1. მარცხენა სახელური
2. მარჯვენა სახელური
3. ბრუნვის მიმართულების/სიჩქარის სელექტორი
4. ჩამკეტი დილაკი
5. ჩამრთველი ტრიგერი სიჩქარის რეგულირებით
6. აკუმულატორის მოხსნის დილაკი
7. შუქდიოდური ინდიკატორი
8. ძალური თავაკი
9. აკუმულატორის ბლოკის პორტი
10. სოკეტი ქანჩი (10 მმ)
11. ექვსწახნაგა შლიცის გასაღები (5 მმ)

### ნაკრები

#### სახელურის დამონტაჟება

1. ჩასვით მარჯვენა და მარცხენა სახელურების მიღები ძალური თავაკის ზაზის მრუდ ღიობებში ისე, რომ აკუმულატორის ბლოკის პორტი უკან იყოს მიმართული (ნახ. B1).
2. გაუსწორეთ სახელურის თითოეული მილის ორი ხვრელი თითოეული ზაზის ღიობის ორ ნახვრეტს.  
**შენიშვნა:** თუ მარჯვენა/მარცხენა სახელურებს არასწორად დააყენებთ, ეს ხელს შეუშლის ნახვრეტების გასწორებას.
3. გამოიყენეთ 8 კომპლექტი ჭანჭიკები, საყელურები და ქანჩი, რათა დაამაგროთ სახელურები დენის თავაკთან. გამოიყენეთ გასაღები და 5 მმ ექვსწახნაგა შლიცის გასაღები, რათა მყარად მოუჭიროთ მათ (ნახ. B2).
4. გაასწორეთ ისარი მარჯვენა სახელურის კაბელზე დენის თავაკის კაბელზე არსებულ ისართან. შემდეგ ჩადეთ მარჯვენა სახელურის შტეფსელი დენის თავაკის კაბელის ბუდეში. მჭიდროდ დაამაგრეთ ისინი (ნახ. B2).  
**შენიშვნა:** კაბელის დაზიანების თავიდან ასაცილებლად, აწყობის დროს არ დაახვიოთ და არ გადაკეცოთ ის.

B1-1	მარჯვენა სახელური	B1-2	მარცხენა სახელური
B1-3	აკუმულატორის ბლოკის პორტი	B2-1	ჭანჭიკი
B2-2	საყელური	B2-3	ქანჩი
B2-4	კაბელის ჩანგალი	B2-5	კაბელის როზეტი

#### ელექტრონული თავის დანართის მონტაჟი

**⚠ გაფრთხილება:** წაიკითხეთ და გაეცანით დასამონტაჟებელი მისაერთებელი ხელსაწყოს მუშაობის ინსტრუქციას და გაითვალისწინეთ მასში ასახული ყველა გაფრთხილებები და ინსტრუქციები. რომელიმე ინსტრუქციის უგულვებელყოფამ შესაძლოა გამოიწვიოს ელექტრული შოკი, ხანძარი და/ან მოგაყენოთ სერიოზული პირადი ზიანი.

**⚠ გაფრთხილება:** ეს 56 ვოლტიანი ძალური თავაკი PHA7400E განკუთვნილია მხოლოდ ოპერატორის ინსტრუქციაში მითითებულ EGO-ს მისამაგრებელ ხელსაწყოებთან ან მომავალში EGO-ს მიერ წარმოდგენილი მოწყობილობებთან გამოსაყენებლად. სხვა, არარეკომენდებული მიმაგრებების გამოყენებამ შესაძლოა გამოიწვიოს სერიოზული ფიზიკური ან მატერიალური ზიანი.

**⚠ გაფრთხილება:** არასოდეს დაამონტაჟოთ, მოხსნათ ან დაარეგულიროთ რაიმე მიმაგრებული ხელსაწყო, როდესაც თავი მუშაობს ან მასში აკუმულატორი ჩამონტაჟებულია. მოტორის გაჩერების და აკუმულატორის მოხსნის უგულვებელყოფამ შესაძლოა მოგაყენოთ სერიოზული პირადი ზიანი. **არასოდეს გამოიყენოთ ელექტრული თავი მიმაგრებული ხელსაწყოს დამატების გარეშე.**

## მუშაობა

### აკუმულატორის ბლოკის ჩამაგრება/მოხსნა

გამოიყენეთ მხოლოდ ნახ. A2-ში ჩამოთვლილი EGO-ს აკუმულატორის ნაკრებები და დამტენები:

### სრულად დატენეთ პირველად გამოყენებამდე.

### დამაგრება

გაუსწორეთ აკუმულატორის სამაგრები ბუდის ნახევრებს და დააწეეთ აკუმულატორს, სანამ არ გაიგებთ „წკაპ“ ხმას (ნახ.C1).

### მოხსნა

დააჭირეთ აკუმულატორის გამშვებ ღილაკს და ამოიღეთ აკუმულატორის ბლოკი (ნახ.C2).

C1-1	სამაგრი ღიობი	C1-2	სამაგრი წიბო
C2-1	აკუმულატორის მოხსნის ღილაკი		

### ელექტრო თავაკის ჩართვა/გამორთვა (ნახ.D)

- **ძალური თავაკის ჩასართავად**, დააჭირეთ და დააყოვნეთ თითი ჩამკეტ ღილაკზე, შემდეგ დააჭირეთ თითი ცვლადი სიჩქარის ჩამრთველ ტრიგერს. ხელი გაუშვით განმბლოკავ ღილაკს და გააგრძელეთ ტრიგერ ჩამრთველზე თითის დაჭერა მუშაობის გასაგრძელებლად.

**შენიშვნა:** ცვლადი სიჩქარის ტრიგერის გადამრთველი იძლევა უფრო მაღალ სიჩქარეს ტრიგერის წნევის გაზრდის შემთხვევაში და დაბალ სიჩქარეს ტრიგერის წნევის შემცირებისას.

- **დენის თავაკის გამოსართავად**, გაათავისუფლეთ ტრიგერის გადამრთველი და დაელოდეთ საბურღი აპარატის სრულად გაჩერებას.

D-1	ჩამკეტი ღილაკი	D-2	ჩამრთველი ტრიგერი სიჩქარის რეგულირებით
-----	----------------	-----	--

### ბრუნვის მიმართულებისა და სიჩქარის არჩევა (ნახ. E)

დაიჭირეთ მარჯვენა სახელური მარჯვენა ხელით.

- დააჭირეთ სელექტორს „2“ პოზიციაზე, რათა გააქტიუროთ წინ ბრუნვა მაღალი სიჩქარით.
- დააჭირეთ სელექტორს „1“ პოზიციაზე, რათა გააქტიუროთ წინ ბრუნვა დაბალი სიჩქარით.
- დააჭირეთ სელექტორს „R“ პოზიციაზე, რათა გააქტიუროთ საპირისპირო მიმართულებით როტაცია.

**შენიშვნა:** ბრუნვის მიმართულების გადართვა წინ და უკანა მხარეს შესაძლებელია მხოლოდ მაშინ, როდესაც ძალური თავაკი გაჩერებულია.

**შენიშვნა:** წინსვლის სიჩქარის რეგულირება შეიძლება მიღწეული იყოს წევისმიერ დროს, მიუხედავად იმისა, ჩართულია თუ შეჩერებულია ძალური თავაკი.

E-1	ბრუნვის მიმართულების / სიჩქარის ამომრჩევი
-----	---



### სტატუსის ინდიკატორი

საბურღი აპარატის დენის თავაკი აღჭურვილია LED სტატუსის ინდიკატორით, რათა აჩვენოს აპარატის მუშაობის სტატუსი. LED ინდიკატორი აინთება მხოლოდ მაშინ, როცა ძალური თავაკი ჩაირთვება.

LED სტატუსის ინდიკატორი	მუშა მდგომარეობა	მოქმედება
მუქი მწვანე	ელექტრო თავაკი მუშაობს სათანადოდ.	ჩვეულებრივი ოპერაცია. არანაირი მოქმედება არ არის საჭირო.
მუქი წითელი	ელექტრო თავაკი გადატვირთულია.	აუშვით ტრიგერს, ასწიეთ საბურღი მოწყობილობა და შეამოწმეთ გადატვირთვის მიზეზი. შეიძლება დაგჭირდეთ ბურღვის ადგილის შეცვლა, თუ დიდმა დაბრკოლებამ გამოიწვია მანქანის გაჩერება. მიმართეთ EGO-ს კლიენტთა მომსახურების ცენტრს შეკეთებისთვის, თუ პრობლემის მოგვარება ვერ მოხერხდება.
	ძალური თავაკი ძალიან ცივია.	ხელი გაუშვით ტრიგერს. შეიტანეთ საბურღი მოწყობილობა შენობაში და გაათბეთ.
მუქი წითელი	უკუდარტყმისგან დაცვა.	აუშვით ტრიგერს, ასწიეთ საბურღი მოწყობილობა ნახვეტიდან. გადატვირთეთ საბურღი მოწყობილობა და ნელა ჩააბრუნეთ ნახვეტში.
მოციმციმე წითელი შუქი	აკუმულატორის ბლოკი თითქმის დაცლილია.	დატენეთ აკუმულატორის ბლოკი.
მოციმციმე წითელი შუქი	ელექტრო თავაკი გადაცხელებულია.	გააჩერეთ საბურღი მოწყობილობა და დაელოდეთ მის გაგრილებას.
მონაცვლეობით მოციმციმე მწვანე და წითელი შუქი.	კავშირის შეფერხება.	მიმართეთ EGO-ს კლიენტთა მომსახურების ცენტრს შეკეთებისთვის.
განათება არ არის.	თუ აკუმულატორის ბლოკზე LED ინდიკატორი ანათებს წარინჯისფრად ან წითლად, აკუმულატორის ბლოკი გადახურებულია.	გააგრილეთ აკუმულატორის ბლოკი და გადატვირთეთ აპარატი.
	აკუმულატორის ბლოკის ელექტრო შეცდომა.	მიმართეთ EGO-ს კლიენტთა მომსახურების ცენტრს შეკეთებისთვის.

KA

## ტექნიკური მომსახურება

**▲ გაფრთხილება:** სერიოზული პერსონალური დაზიანებისგან თავის არიდების მიზნით, მოხსენით აკუმულატორი ხელსაწყოს ტექნიკური სერვისის, გაწმენდის, მისამაგრებელი ელემენტების შეცვლის ან ნარჩენი ნივთიერების მოცილების დროს.

### ზოგადი მოვლის პირობები

მოერიდეთ გამხსნელების გამოყენებას მოწყობილობის პლასტმასის ნაწილების გაწმენდისას. პლასტმასების უმეტესობა ადვილად ზიანდება მათზე სხვადასხვა სახის კომერციული გამხსნელების გამოყენების შედეგად. გამოიყენეთ სუფთა ტილო ტალახის, მტვრის, ზეთის, ცხიმის და სხვ. მოსაცილებლად.

**▲ გაფრთხილება:** არცერთ შემთხვევაში არ მისცეთ სამუხრუჭე სითხეს, ბენზინს, ნავთობის ბაზაზე დამზადებულ პროდუქტებს ან სხვა ძლიერ გამხსნელებს და ა.შ. იყვნენ პლასტმასის ნაწილებთან კონტაქტში. ქიმიურმა ნაერთებმა შესაძლოა დაზიანოს, გაცვიტოს და დაშალოს პლასტმასი, რამაც შეიძლება მოგაყენოთ სერიოზული ზიანი.

## ელექტრული თავის შენახვის წესი

1. მოხსენით აკუმულატორი ძალოვანი თავაკიდან.
2. საგულდაგულოდ გაწმინდეთ ძალოური თავაკი შენახვამდე.
3. შეინახეთ ძალოური თავაკი მშრალ, კარგად განიავებულ ადგილას ჩაკეტილ და მაღალ სათავსოში, ბავშვებისთვის მიუწვდომელ ადგილას. არ შეინახოთ ძალოური თავაკი სასუქის, ბენზინის და სხვა ქიმიური ნივთიერებების სიახლოვეს.

## გარემოს დაცვა



არ მოათავსოთ ელექტრო მოწყობილობა, დამტენი და აკუმულატორი საყოფაცხოვრებო ნაგავში! მიუტანეთ პროდუქტი ნარჩენების ავტორიზირებულ გადამამუშავებელს და უზრუნველყავით ასეთი ნარჩენის განცალკევებულად შეგროვება. ელექტრო ხელსაწყოები უნდა ჩაბარდეს გარემოს თვალსაზრისით თავსებად ნარჩენების გადამამუშავებელ ობიექტს.

## გაუმართაობა

იხილეთ შესაბამისი მისამაგრებელი ხელსაწყო მომხმარებლის ინსტრუქცია.

## გარანტია

### EGO-ს საგარანტიო პოლიტიკა

გთხოვთ, ეწვიოთ ვებ-გვერდს [egopowerplus.eu](http://egopowerplus.eu) და სრულად გაეცნოთ EGO-ს საგარანტიო პოლიტიკის წესებს და პირობებს.

## PROČITAJTE SVA UPUTSTVA!



PROČITAJTE PRIRUČNIK ZA RUKOVAOCA

**⚠ UPOZORENJE:** Da bi se osigurala sigurnost i pouzdanost, sve popravke treba da radi kvalifikovani servisni tehničar.

## SIGURNOSNI SIMBOL

Svrha sigurnosnih simbola je da vam skrenu pažnju na moguće opasnosti. Sigurnosni simboli i objašnjenja uz njih zaslužuju vašu pognu pažnju i shvatanje. Simboli upozorenja, sami po sebi, ne eliminišu nikakve opasnosti. Uputstva i upozorenja koja oni daju nisu zamena za odgovarajuće mere sprečavanja nezgoda.

**⚠ UPOZORENJE:** Obavezno pročitajte i shvatite sva sigurnosna uputstva u ovom Priručniku za rukovaoca, obuhvatajući i sve simbole sigurnosnih upozorenja poput „OPASNOST“, „UPOZORENJE“ i „OPREZ“ pre korišćenja ove mašine. Nepridržavanje svih dole navedenih uputstava može da dovede do strujnog udara, požara i/ili ozbiljne telesne povrede.

## SIGURNOSNA UPUTSTVA

Ova stranica prikazuje i opisuje sigurnosne simbole koji mogu da se pojave na ovom proizvodu. Pročitajte, shvatite i sledite sva uputstva na mašini pre no što pokušate da je sklopite i da rukujete njom.



Sigurnosno upozorenje



Radi smanjenja opasnosti od povreda, korisnik treba da pročita priručnik za rukovaoca.



Nosite zaštitu za uši



Nosite zaštitu za oči



Otpadni električni proizvodi ne smeju da se odlažu sa otpadom iz domaćinstva. Odnosite ih u ovlašćeni pogon za reciklažu.



Ovaj proizvod je u skladu sa primenjivim Direktivama EU.



Jednosmerna struja



Ocenjena uskladenost u UK

V Napon

kg Kilogram

IPX4 Zaštita od zapljuskivanja vode

## OPŠTA BEZBEDNOSNA UPOZORENJA O MAŠINAMA

**⚠ UPOZORENJE:** Pročitajte sva sigurnosna upozorenja, uputstva, ilustracije i specifikacije priložene uz ovu mašinu. Zanemarivanje uputstava navedenih u nastavku može da izazove strujni udar, požar i/ili teške povrede.

Sačuvajte sva upozorenja i sva uputstva za buduće potrebe.

### BEZBEDNOST RADNOG PODRUČJA

- Održavajte radno područje čistim i dobro osvetljenim. Pretrpana ili mračna područja izazivaju nesreće.
- Ne rukujete mašinama u eksplozivnim atmosferama, kao na primer u prisustvu zapaljivih tečnosti, benzina ili prašine. Mašine stvaraju varnice koje mogu zapaliti prašinu ili isparenja.
- Držite decu i posmatrače podalje dok rukujete mašinom. Ometanja mogu da rezultuju gubitkom kontrole nad alatom.

### ELEKTRIČNA BEZBEDNOST

- Utikač mašine mora odgovarati utičnici. Nemojte da modifikujete utikač ni na koji način. Ne koristite adapterske utikače sa uzemljenim mašinama. Nemodifikovani utikači i odgovarajuće utičnice će smanjiti rizik od strujnog udara.
- Izbegavajte kontakt tela s uzemljenim površinama, kao što su cevi, radijatori, šporeti i frižideri. Postoji povećan rizik od strujnog udara ako je vaše telo uzemljeno.
- Ne izlažite mašine kiši ili mokrim uslovima. Voda koja uđe u mašinu povećava rizik od strujnog udara.
- Ne zloupotrebljavajte kabl. Nikad ne koristite kabl za nošenje, vučenje ili isključivanje mašine iz utičnice. Držite kabl dalje od toplote, ulja, oštarih ivica ili delova koji se kreću. Oštećeni ili isprepleteni kablovi povećavaju rizik od strujnog udara.
- Kad rukujete mašinom na otvorenom prostoru, koristite produžni kabl pogodan za korišćenje na otvorenom prostoru. Upotrebom kabla pogodnog za upotrebu na otvorenom umanjuje se rizik od strujnog udara.
- Ako je korišćenje mašine na vlažnom mestu neizbežno, koristite izvor napajanja sa zaštitnim uređajem diferencijalne struje. Korišćenje GFCI smanjuje rizik od strujnog udara.

### LIČNA BEZBEDNOST

- Ostanite u pripravnosti, gledajte ono što radite i koristite zdrav razum kad rukujete mašinom. Ne koristite mašinu kad ste umorni ili pod uticajem droga, alkohola ili lekova. Trenutak nepažnje dok rukujete mašinama može da rezultuje ozbiljnom telesnom povredom.
- Koristite ličnu zaštitnu opremu. Uvek nosite zaštitu za oči. Zaštitna oprema poput maske za prašinu, radnih cipela koje se ne klišu, šlema ili zaštitne sluha će, kada se koristi za odgovarajuće uslove, smanjiti telesne povrede.
- Sprečite nenamerno pokretanje. Osigurajte da prekidač bude u isključenom položaju pre povezivanja na izvor napajanja i/ili bateriju, podizanja ili nošenja mašine. Nošenje mašina sa prstom na prekidaču ili uključivanje u utičnicu mašina čiji prekidač je u uključenom položaju priziva nezgode.
- Uklonite sve ključeve za podešavanje pre uključivanja mašine. Ključ koji ostane pričvršćen za rotacioni deo mašine može da izazove telesnu povredu.
- Ne presežite. Celo vreme održavajte pravilno držanje i ravnotežu. To omogućava bolju kontrolu nad mašinom u neočekivanim situacijama.
- Oblačite se odgovarajuće. Nemojte da nosite široku odeću ili nakit. Držite kosu i odeću dalje od pokretnih delova. Delovi koji se kreću mogu da zahvate široku odeću, nakit ili dugu kosu.
- Ako su priložena sredstva za povezivanje na uređaje za ekstrakciju i prikupljanje prašine, osigurajte da budu spojena i pravilno korišćena. Upotrebom sistema za sakupljanje prašine mogu da se umanje opasnosti koje se odnose na prašinu.
- Ne dozvolite da zbog poznavanja koje ste stekli kroz čestu upotrebu mašina postanete samozadovoljni i ignorirate principe bezbednosti mašina. Nepažljiv rad može da izazove teške povrede u deliću sekunde.

### UPOTREBA I ODRŽAVANJE MAŠINE

- Ne silite mašinu. Koristite odgovarajuću mašinu za ono što radite. Odgovarajuća mašina uradiće posao bolje i bezbednije onom brzinom za koju je dizajnirana.
- Ne koristite mašinu ako prekidač ne može da je uključi i isključi. Svaka mašina koja se ne može kontrolisati prekidačem je opasna i mora se popraviti.
- Izvucite utikač iz izvora napajanja i/ili izvadite akumulator, ako je odvojni, iz mašine pre bilo kakvog podešavanja, menjanja dodatka ili skladištenja mašina. Takve preventivne sigurnosne mere smanjuju rizik od nehotičnog pokretanja mašine.

- **Skladištite mašine koje se ne koriste van domašaja dece i ne dozvolite osobama koje nisu upoznate sa ovom mašinom ili ovim uputstvom da rukuju mašinom.** Mašine su opasne u rukama nekvalifikovanih korisnika.
- **Održavajte mašine i pribor. Proveravajte da li ima nepravilnog poravnanja ili zaglavljivanja pokretnih delova, pucanja delova i svih drugih stanja koja mogu da utiču na rad mašine. Ako je mašina oštećena, odnesite je na popravku pre upotrebe.** Mnoge nezgode su izazvane loše održanim mašinama.
- **Održavajte mašine koje seku oštrim i čistim.** Pravilno održavane mašine za sečenje sa oštrim ivicama za sečenje se ređe zapetljavaju i lakše se kontrolišu.
- **Koristite mašinu, dodatke, bitove itd. u skladu sa ovim uputstvom, uzimajući u obzir radne uslove i rad koji treba obaviti.** Korišćenje mašine za rad drugačiji od predviđenog moglo bi da dovede do opasne situacije.
- **Održavajte drške i hvatne površine suvim, čistim i bez ulja i masnoće.** Klizave drške i površine koje hvataate ne omogućavaju bezbedno rukovanje i kontrolu mašine u neočekivanim situacijama.

#### UPOTREBA I ODRŽAVANJE MAŠINA NA BATERIJE

- **Punite samo punjačem koji navodi proizvođač.** Punjač koji je prikladan za jedan tip baterije može da stvori opasnost od požara kad se koristi sa nekom drugom baterijom.
- **Koristite mašine samo sa konkretno imenovanim akumulatorima.** Upotreba bilo kakvih drugih baterija može da stvori rizik od povrede i požara.
- **Kad se baterija ne koristi, držite je dalje od drugih metalnih predmeta, poput spjalica, novčića, ključeva, eksera, vijaka ili drugih malih metalnih predmeta koji mogu da naprave spoj jednog terminala sa drugim.** Kratak spoj terminala baterije može da izazove opekotine ili požar.
- **U ekstremnim uslovima može doći do curenja tečnosti iz baterije; izbegavajte kontakt sa njom. Ako dođe do nehotačnog kontakta, isperite vodom. Ako tečnost dođe u kontakt sa očima, takođe potražite i medicinsku pomoć.** Tečnost iz baterije može da izazove iritaciju ili opekotine.
- **Ne koristite bateriju ili mašinu koje su oštećene ili modifikovane.** Oštećene ili modifikovane baterije mogu da ispolje nepredvidivo ponašanje, dovodeći do požara, eksplozije ili rizika od povrede.

- **Ne izlažite bateriju ili mašinu vatri ili previsokoj temperaturi.** Izlaganje vatri ili temperaturi iznad 130 °C može izazvati eksploziju.
- **Pratite sva uputstva za punjenje i ne punitite bateriju ili mašinu izvan temperaturnog opsega navedenog u uputstvima.** Punjenje na nepravilan način ili na temperaturama izvan navedenog opsega može da ošteti bateriju i poveća rizik od požara.

#### SERVIS

- **Odnosite mašinu na servisiranje kod kvalifikovanog serviseru koji će koristiti samo identične rezervne delove.** To će osigurati da bezbednost mašine bude održana.
- **Nikad ne servisirajte oštećene baterije.** Servisiranje akumulatora treba da vrši samo proizvođač ili ovlašćeni servis.

## BEZBEDNOSNA UPOZORENJA ZA POGONSKU GLAVU

- **Ova pogonska glava PHA7400E sme da se koristi samo sa sledećim EGO dodacima ili sa dodacima koje EGO naknadno uvede za upotrebu sa ovom pogonskom glavom:**

TIP DODATKA	Broj Modela
Svrdo bit za zemlju	ETA0800E
Svrdo bit za led	ITA0800E


- **Zamenite svrdla ako su naprsla, iskrivljena ili na bilo koji način oštećena.** Rukovanje mašinom sa oštećenim svrdlom može da rezultuje ozbiljnom povredom.
- **Nikad ne koristite svrdlo sa drškama iznad nivoa struka.** To ograničava kontrolu nad svrdlom i može da poveća rizik od povrede.
- **Držite mašinu sa obe ruke za predviđene drške.** Gubitak kontrole može da izazove telesnu povredu.
- **Držite mašinu za izolovane hvatne površine kad vršite operaciju u kojoj dodatak za kopanje može da kontaktira skriveno ožičenje.** Ako dodatak za kopanje dođe u dodir sa žicom pod naponom, i izloženi metalni delovi mašine mogu da budu pod naponom pa rukovalac može da dobije strujni udar.

SR

- **Radi smanjenja rizika od strujnog udara, svrdlo nemojte nikad da upotrebljavate u blizini zakopanih strujnih kablova.** Kontakt sa strujnim kablovima ili upotreba u blizini zakopanih strujnih kablova može da prouzrokuje teške povrede ili strujni udar sa smrtnim ishodom.
- **Uvek startujte mašinu na maloj brzini i sa vrhom svrdlo bita u dodiru sa tlom.** Na većim brzinama će se bit verovatno iskriviti ako mu dozvolite da se slobodno rotira bez dodira sa tlom, rezultujući telesnom povredom.
- **Primenite pritisak samo u direktnoj liniji sa bitom i ne primenjujte prekomerni pritisak.** Bitovi mogu da se saviju i dovedu do loma ili gubitka kontrole, što dovodi do telesne povrede.
- **Uvek vodite računa da imate čvrsto oporište nogu.** Vodite računa da ispod nema nikoga kad koristite mašinu na visokim mestima.
- **Čvrsto držite mašinu.**
- **Držite šake dalje od rotacionih delova.**
- **Ne ostavljajte mašinu da radi. Radite mašinom samo kad je držite u rukama.**
- **Ne dodirujte svrdlo bit neposredno nakon rada.** Može da bude ekstremno vruće i moglo bi da vam opeče kožu.
- **Ako nešto nije u redu sa mašinom, poput abnormalnih zvukova, odmah zaustavite rad i obratite se lokalnom servisnom centru radi popravke.**
- **Da biste smanjili rizik od eksplozije, nikad ne koristite svrdlo blizu zakopanih gasnih vodova, obuhvatajući i vodene vodove i cevi.** Dodir sa zakopanim vodenim ili gasnim vodovima ili upotreba blizu njih može da rezultuje pucanjem vodenih vodova i eksplozijom gasnih vodova, što može da izazove ozbiljnu povredu ili smrt.
- **Nikad ne radite na većoj brzini od oznake maksimalne brzine na svrdlo bitu.** Na većim brzinama će se bit verovatno iskriviti ako mu dozvolite da se slobodno rotira bez dodira sa obratkom, rezultujući telesnom povredom.
- **Mašine na baterije ne moraju da budu uključene u strujnu utičnicu; one su stoga uvek u radnom stanju. Budite svesni mogućih opasnosti čak i kad mašina nije u radu.** Budite pažljivi kada održavate ili servisirate.
- **Ne perite crevom; izbegavajte ulaženje vode u motor i električne veze.**
- **Sečiva za led su veoma oštra. Budite krajnje oprezni kad bušite rupu ili zamenjujete sečiva. Stavite štitičnik sečiva posle svake upotrebe.**
- **Često proveravajte i osigurajte da vijak za fiksiranje bude čvrsto na svom mestu.**

**SACUVAJTE OVO UPUTSTVO.** Uputstva upotrebljavajte često i upotrebljavajte ih za upućivanje drugih osoba koje mogu da upotrebljavaju ovu mašinu. Ako pozajmite nekom ovu mašinu, pozajmite i ovo uputstvo da bi se sprečila pogrešna upotreba proizvoda i eventualna povreda.

## SPECIFIKACIJE

Napon	56 V 	
Obrtni moment	74 Nm	
Brzina bez opterećenja (n <sub>0</sub> )	Napred	Manja: 0-150/min Visoka: 0-210/min
	Nazad	100/min
Težina (bez baterije)	10,2 kg	

## POPIS PAKOVANJA (SLIKA A1)

### OPIS

UPOZNAJTE SVOJU POGONSKU GLAVU (slika A1)

1. Leva drška
2. Desna drška
3. Selektor smeru/brzine rotacije
4. Dugme za zaključavanje
5. Okidač varijabilne brzine
6. Dugme za oslobađanje baterije
7. LED indikator
8. Pogonska glava
9. Port za akumulator
10. Nasadni ključ (10 mm)
11. Inbus ključ (5 mm)

### SKLAPANJE

#### INSTALIRANJE DRŠKI

1. Sa pottom za akumulator okrenutim unazad, umetnite cevi desne i leve drške u zakrivljene proreze na bazi pogonske glave (slika B1).
2. Poravnajte dve rupe na svakoj cevi drške sa dve rupe u svakom prorezu baze.

**NAPOMENA:** Nepravilna desna/leva instalacija drški će onemogućiti poravnanje tih rupa.

- Pomoću 8 kompleta zavrtnja, podloški i matica učvrstite drške na pogonsku glavu. Pomoću ključa i 5 mm inbus ključa ih čvrsto zategnite (slika B2).
- Poravnajte strelicu na kابلu desne drške sa strelicom na kابلu pogonske glave. Zatim umetnite utikač kabla sa desne drške u utičnicu kabla na pogonskoj glavi. Čvrsto ih zategnite (slika B2).

**OBAVEŠTENJE:** Da biste sprečili oštećenje kabla, ne savijajte ga niti uvrćite tokom sklapanja.

B1-1	Desna drška	B1-2	Leva drška
B1-3	Port za akumulator	B2-1	Zavrtnj
B2-2	Podloška	B2-3	Matica
B2-4	Utikač kabla	B2-5	Utičnica kabla

#### INSTALIRANJE NASTAVKA POGONSKE GLAVE

**⚠ UPOZORENJE:** Pročitajte i shvatite ceo Priručnik za rukovaoca za svaki opcioni dodatak koji se koristi na ovoj pogonskoj glavi i pošaljite sva upozorenja i uputstva. Nepriдрžavanje svih uputstava moglo bi da dovede do strujnog udara, požara i/ili ozbiljne telesne povrede.

**⚠ UPOZORENJE:** Ova pogonska glava PHA7400E od 56 V je dizajnirana za upotrebu isključivo sa EGO modelima dodataka koji su navedeni u ovom Priručniku za rukovaoca ili ih EGO naknadno uvede za upotrebu sa ovom pogonskom glavom. Upotreba drugih, neovlašćenih dodataka mogla bi da izazove ozbiljne telesne povrede ili imovinsku štetu.

**⚠ UPOZORENJE:** Nikad ne instalirajte, uklanjajte niti podešavajte nijedan dodatak dok pogonska glava radi ili dok je baterija instalirana. Ako ne zaustavite motor i ne izvadite bateriju, to može da izazove ozbiljne telesne povrede. **NIKAD NE RUKUJTE POGONSKOM GLAVOM BEZ DODATKA.**

## RAD

#### POSTAVLJANJE/SKIDANJE BATERIJE

Upotrebljavajte samo kompletne baterija i punjače proizvođača EGO navedene na slika A2.

**Potpuno napunite pre prve upotrebe.**

#### Za spajanje

Poravnajte rebra baterije sa prerezima za montiranje i pritisnite akumulator dole dok ne čujete „škljoc“ (slika C1).

#### Za odvajanje

Pritisnite dugme za oslobađanje baterije i izvucite akumulator (slika C2).

C1-1	Prerez za montiranje	C1-2	Rebro
C2-1	Dugme za oslobađanje baterije		

#### STARTOVANJE/STOPIRANJE POGONSKE GLAVE (slika D)

- Da biste uključili pogonsku glavu, pritisnite i držite dugme za zaključavanje a zatim pritisnite okidač varijabilne brzine. Pustite dugme za zaključavanje i nastavite da pritisnete okidač za neprekidni rad.

**NAPOMENA:** Okidač varijabilne brzine isporučuje veću brzinu sa većim pritiskom na okidač i manju brzinu sa manjim pritiskom na okidač.

- Da biste isključili pogonsku glavu, pustite okidač i omogućite svrdlo bitu da se potpuno stopira.

D-1	Dugme za zaključavanje	D-2	Okidač varijabilne brzine
-----	------------------------	-----	---------------------------

#### BIRANJE SMERA I BRZINE ROTACIJE (slika E)

Držite desnu dršku desnom rukom.

- Gurnite selektor u položaj „2“ da biste aktivirali rotaciju unapred na velikoj brzini.
- Gurnite selektor u položaj „1“ da biste aktivirali rotaciju unapred na maloj brzini.
- Gurnite selektor u položaj „R“ da biste aktivirali rotaciju unazad.

**NAPOMENA:** Menjanje smera rotacije između unapred i unazad je moguće samo kad je pogonska glava stopirana.

**NAPOMENA:** Podešavanje brzine unapred se može ostvariti u bilo kom trenutku, bez obzira da li je pogonska glava startovana ili stopirana.

E-1	Selektor smera/brzine rotacije
-----	--------------------------------

## INDIKATOR STATUSA

Pogonska glava svrdla ima LED indikator statusa koji prikazuje radni status mašine. LED indikator će svetleti samo kad se pogonska glava startuje.

LED INDIKATOR STATUSA	RADNO STANJE	AKCIJA
Neprekidno zeleno	Pogonska glava radi pravilno.	Normalan rad. Nije potrebna nikakva radnja.
Neprekidno crveno	Pogonska glava je preopterećena.	Pustite okidač, podignite svrdlo iz rupe i potražite uzroke preopterećenja. Možda ćete morati da pronađete alternativno mesto za kopanje ako je velika prepreka izazvala stopiranje mašine. Ako ne možete da rešite problem, obratite se EGO korisničkoj službi radi popravke.
	Pogonska glava je previše hladna.	Pustite okidač. Unesite svrdlo u zatvoreni prostor da ga ugrijete.
Neprekidno narandžasto	Zaštita od povratnog udarca.	Pustite okidač i podignite svrdlo iz rupe. Restartujte svrdlo i nežno ga spustite nazad u rupu.
Bljeska crveno	Punjenje akumulatora je skoro potrošeno.	Napunite bateriju.
Bljeska narandžasto	Pogonska glava je pregrijana.	Stopirajte svrdlo i sačekajte neko vreme da se svrdlo ohladi.
Naizmenično bljeska zeleno i crveno.	Greška komunikacije.	Obratite se EGO korisničkoj službi radi popravke.
Nema svetla.	Ako LED indikator na akumulatoru bljeska narandžasto ili svetli crveno, akumulator je pregrijan.	Ostavite akumulator da se ohladi pa ponovo restartujte svrdlo.
	Druga greška elektronike.	Obratite se EGO korisničkoj službi radi popravke.

## ODRŽAVANJE

**⚠ UPOZORENJE:** Da biste sprečili ozbiljne telesne povrede, izvadite akumulator iz proizvoda pre servisiranja, čišćenja, menjanja dodataka ili skidanja materijala sa jedinice.

### OPŠTE ODRŽAVANJE

Izbegavajte korišćenje rastvarača kada čistite plastične delove. Većina plastike je podložna oštećenjima od raznih tipova komercijalnih rastvarača i može se oštetiti njihovom upotrebom. Koristite čistu krpu da uklonite prljavštinu, prašinu, ulje, masnoću itd.

**⚠ UPOZORENJE:** Nemojte ni u kom trenutku dozvoliti da kočiona tečnost, benzin, proizvodi na bazi petroleja, penetraciono ulje itd. dođu u kontakt sa plastičnim delovima. Hemikalije mogu da oštete, oslabe ili unište plastiku, što može da dovede do ozbiljne telesne povrede.

### SKLADIŠTENJE POGONSKE GLAVE

1. Izvadite bateriju iz pogonske glave.
2. Temeljno očistite pogonsku glavu pre no što je uskladištite.
3. Skladištite pogonsku glavu na suvom, dobro provetrenom mestu, zaključanu ili na visini, van domašaja dece. Ne skladištite pogonsku glavu na đubrivu, benzinu ili drugim hemikalijama ili blizu njih.

### ZAŠTITA ŽIVOTNE SREDINE



Ne odlazite električnu opremu, potrošene baterije i punjače u kućni otpad! Odnosite ovaj proizvod u ovlašćeni pogon za reciklažu ili ga odvojite od ostalog smeća radi zasebnog prikupljanja. Električni alati moraju se oduzeti u ekološki prihvatljiv pogon za reciklažu.





## REŠAVANJE PROBLEMA

Pogledajte priručnik za rukovaoca za odgovarajući dodatak.

## GARANCIJA

### EGO POLITIKA GARANCIJE

Posetite veb-lokaciju [egopowerplus.eu](http://egopowerplus.eu) za potpune uslove i odredbe EGO politike garancije.

SR

## PROČITAJTE UPUTSTVO U CIJELOSTI!



PROČITAJTE KORISNIČKI PRIRUČNIK.

**⚠ UPOZORENJE!** Radi osiguranja sigurnosti i pouzdanosti, sve popravke treba obavljati kvalifikovani servisni tehničar.

## SIGURNOSNI SIMBOL

Svrha sigurnosnih simbola je skretanje pažnje na moguće opasnosti. Sigurnosni simboli i njihova objašnjenja zahtijevaju vašu potpunu pažnju i razumijevanje. Simboli upozorenja sami po sebi ne isključuju opasnost. Uputstva i upozorenja koja pružaju nisu zamjena za propisne mjere za prevenciju nesreća.

**⚠ UPOZORENJE!** Prije upotrebe ove mašine pobrinite se da sva sigurnosna uputstva u ovom korisničkom priručniku, uključujući sve sigurnosne simbole kao što su "**OPASNOST**", "**UPOZORENJE**" i "**OPREZ**" pročitate s razumijevanjem. Zanemarivanje svih uputstava navedenih u nastavku može rezultirati strujnim udarom, požarom i/ili teškim tjelesnim povredama.

## SIGURNOSNA UPUTSTVA

Na ovoj stranici slikovno su prikazani i objašnjeni sigurnosni simboli koji se mogu pojaviti na ovom proizvodu. Prije pokušaja sastavljanja i rukovanja, s razumijevanjem pročitate sva uputstva na proizvodu i pridržavajte ih se.



Simbol upozorenja



Radi smanjenja opasnosti od povreda, korisnik treba pročitati korisnički priručnik.



Nosite zaštitu za sluh



Nosite zaštitu za oči.



Otpadni električni proizvodi ne smiju se odlagati s otpadom iz domaćinstva. Odnosite ih u ovlašteni centar za reciklažu.



Ovaj proizvod je u skladu s primjenjivim direktivama EU.



Istosmjerna struja



Usklađenost ispitana u Velikoj Britaniji

V Napon

kg Kilogram

IPX4 Zaštita od prskanja vode

## OPĆA SIGURNOSNA UPOZORENJA ZA MAŠINE

**▲ UPOZORENJE!** Pročitajte sva sigurnosna upozorenja, uputstva, sve ilustracije i specifikacije isporučene s ovom mašinom. Zanemarivanje svih uputstava navedenih u nastavku može rezultirati strujnim udarom, požarom i/ili teškim povredama.

Sačuvajte sva upozorenja i uputstva za buduće potrebe.

### SIGURNOST RADNOG PODRUČJA

- Radno područje održavajte čistim i dobro osvijetljenim. Pretrpana ili mračna područja izazivaju nesreće.
- Mašine nemojte upotrebljavati u eksplozivnim atmosferama, kao na primjer u prisutnosti zapaljivih tekućina, benzina ili prašine. Mašine stvaraju iskre koje mogu zapaliti prašinu ili isparenja.
- Djecu i druge prisutne osobe držite podalje tokom rada mašine. Ometanja mogu rezultirati gubitkom kontrole nad mašinom.

### ELEKTRIČNA SIGURNOST

- Utikači mašine moraju odgovarati utičnici. Nemojte modifikovati utikač ni na koji način. Nemojte upotrebljavati utikače adaptera s uzemljenim mašinama. Nemodifikovani utikači i odgovarajuće utičnice umanjit će rizik od strujnog udara.
- Izbjegavajte kontakt tijela s uzemljenim površinama, kao što su slavine, grijalice, peći i frižideri. Postoji povećan rizik od strujnog udara ako je vaše tijelo uzemljeno.
- Nemojte izlagati mašine kiši ili mokrim uslovima. Prodiranjem vode u mašinu povećat će se opasnost od strujnog udara.
- Nemojte nepropisno upotrebljavati kabel. Kabel nemojte nikada upotrebljavati za nošenje, povlačenje ili isključivanje mašine iz strujnog napajanja. Kabel držite podalje od topline, ulja, oštirih rubova ili pokretnih dijelova. Oštećeni ili isprepleteni kabeli povećavaju rizik od strujnog udara.
- Kada mašinom radite na otvorenom, upotrebljavajte produžni kabel prikladan za upotrebu na otvorenom. Upotrebom kabela prikladnog za upotrebu na otvorenom smanjuje se rizik od strujnog udara.
- Ako je rad s mašinom u vlažnom području neizbježan, upotrebljavajte napajanje sa zaštitnim uređajem diferencijalne struje. Upotrebom zaštitnog uređaja diferencijalne struje smanjuje se rizik od strujnog udara.

### LIČNA SIGURNOST

- Budite oprezni, gledajte šta radite i koristite se uobičajenim osjećajem kada upotrebljavate mašinu. Nemojte upotrebljavati mašinu kada ste umorni ili pod uticajem opojnih sredstava, alkohola ili lijekova. Trenutak nepažnje tokom rada mašina može rezultirati teškim tjelesnim povredama.
  - Upotrebljavajte ličnu zaštitnu opremu. Uvijek nosite zaštitu za oči. Zaštitna oprema poput maske za zaštitu od prašine, neklizajuće sigurnosne obuće, kacige ili zaštite za sluh upotrijebljena za odgovarajuće uslove smanjit će tjelesne povrede.
  - Spriječite nenamjerno pokretanje. Prije spajanja na izvor napajanja i/ili komplet baterija, uzimanja ili nošenja mašine uvjerite se da se prekidač nalazi u isključenom položaju. Nošenje mašina s prstom na prekidaču ili napajanje mašina koje imaju uključen prekidač izaziva nesreće.
  - Prije uključivanja mašine uklonite sve ključeve za podešavanje ili nasadne ključeve. Nasadni ključ ili ključ za podešavanje ostavljen pričvršćen na rotacijski dio mašine može rezultirati tjelesnim povredama.
  - Nemojte se previše naginjati prema naprijed. Cijelo vrijeme održavajte propisno držanje i ravnotežu. To će omogućiti bolju kontrolu nad mašinom u neočekivanim situacijama.
  - Obucite se prikladno. Nemojte nositi široku odjeću ili nakit. Kosu i odjeću uvijek držite podalje od dijelova koji se kreću. Dijelovi koji se kreću mogu zahvatiti široku odjeću, nakit ili dugu kosu.
  - Ako su uređaji namijenjeni za spajanje sistema za izvlačenje i sakupljanje prašine, pobrinite se da se propisno spoje i upotrebljavaju. Upotrebom uređaja za sakupljanje prašine mogu se smanjiti opasnosti koje se odnose na prašinu.
  - Nemojte dozvoliti da vas poznavanje mašina stečeno čestom upotrebom učini samodopadnim pa da zanemarite sigurnosne principe za mašinu. Nemarne radnje u djeliću sekunde mogu rezultirati teškim povredama.
- ### UPOTREBA I NJEGA MAŠINE
- Izbjegavajte preveliko opterećenje mašine. Upotrebljavajte pravilnu mašinu za svoju primjenu. Pravilna mašina bolje će i sigurnije odraditi posao pri brzini za koju je predviđena.
  - Nemojte upotrebljavati mašinu ako se ne uključuje i ne isključuje putem prekidača. Svaka mašina koja se ne može kontrolisati prekidačem opasna je i potrebno ju je popraviti.

- **Prije obavljanja podešavanja, zamjene dodatne opreme ili skladištenja mašine isključite utikač iz izvora napajanja i/ili komplet baterija iz mašine, ako je odvojiv.** Takve preventivne sigurnosne mjere smanjuju rizik od iznenadnog pokretanja mašine.
- **Mašine koje ne upotrebljavate skladištite izvan dohvata djece i nemojte dozvoliti da osobe koje ne poznaju mašinu ili ova uputstva upotrebljavaju mašinu.** Mašine su opasne u rukama neobučениh korisnika.
- **Održavajte mašine i dodatnu opremu.** Provjerite jesu li pokretni dijelovi centrirani ili spojeni, ima li polomljenih dijelova i postoji li stanje koje može uticati na rad mašine. **Ako je oštećena, mašinu popravite prije upotrebe.** Loše održavane mašine uzrok su mnogih nesreća.
- **Rezne mašine održavajte oštirim i čistima.** Propisno održavane rezne mašine s oštirim reznim rubovima manje će se zaglavljivati i lakše su za upravljanje.
- **Mašinu, dodatnu opremu i nastavke mašine, itd., upotrebljavajte u skladu s ovim uputstvima, uzimajući u obzir radne uslove i posao koji je potrebno obaviti.** Upotreba mašine za radove drukčije od namjenskih može rezultirati opasnim situacijama.
- **Rukohvate i površine rukohvata održavajte suhim, čistim i očišćenim od ulja i masti.** Skliski rukohvati i skliske površine rukohvata onemogućuju sigurno rukovanje i upravljanje mašinom u neočekivanim situacijama.

## UPOTREBA I NJEGA AKUMULATORSKIH MAŠINA

- **Punjenje obavljajte samo s punjačem kojeg je naveo proizvođač.** Punjač koji je prikladan za jedan tip kompleta baterija može stvoriti rizik od požara ako ga se upotrebljava s drugim kompletom baterija.
- **Mašine upotrebljavajte samo s izričito navedenim kompletima baterija.** Upotreba drugih kompleta baterija može izazvati rizik od povreda i požara.
- **Kada se komplet baterija ne upotrebljava, držite ga podalje od drugih metalnih predmeta poput spajalica za papir, kovаница, ključeva, eksera, vijaka ili drugih malih metalnih predmeta koji mogu međusobno spojiti kontakte.** Kratko spajanje baterijskih kontakata može uzrokovati opekotine ili požar.
- **U slučaju pogrešne upotrebe, baterija može izbaciti tekućinu; izbjegavajte kontakt.** Ako slučajno dođe do kontakta, odnosno mjesta isperite vodom. **Ako tekućina dođe u kontakt s očima, dodatno potražite pomoć ljekara.** Tekućina koju izbací baterija može uzrokovati nadražaj kože ili opekotine.

- **Nemojte upotrebljavati oštećen ili modifikovan komplet baterija niti oštećenu ili modifikovanu mašinu.** Oštećene ili modifikovane baterije mogu pokazati nepredvidivo ponašanje koje može rezultirati požarom, eksplozijom ili rizikom od povreda.
- **Komplet baterija ili mašinu nemojte izlagati vatri ili previsokoj temperaturi.** Izlaganje vatri ili temperaturi višoj od 130 °C može uzrokovati eksploziju.
- **Pridržavajte se svih uputstava za punjenje i komplet baterija ili mašinu nemojte puniti izvan okvira opsega temperature navedenog u uputstvima.** Nepropisno punjenje ili punjenje pri temperaturama izvan okvira određenog opsega može oštetiti bateriju i povećati rizik od požara.

## SERVISIRANJE

- **Servisiranje mašine prepustite kvalifikovanom osoblju za popravak koje upotrebljava samo identične zamjenske dijelove.** Time će se osigurati održavanje sigurnosti mašine.
- **Nemojte nikada servisirati oštećene komplete baterija.** Servisiranje kompleta baterija smiju obavljati samo proizvođač ili ovlašteni serviseri.

## SIGURNOSNA UPOZORENJA ZA POGONSKU JEDINICU

- **Ova pogonska jedinica PHA7400E može se upotrebljavati sa samo sljedećim EGO priključcima ili priključcima koje je kompanija EGO naknadno predstavila za upotrebu s ovom pogonskom jedinicom:**

VRSTA PRIKLJUČKA	BROJ MODELA
Nastavak svrdla za zemlju	ETA0800E
Nastavak svrdla za led	ITA0800E

- **Zamijenite svrdla ako su napukla, savijena ili oštećena na bilo koji način.** Upotreba mašine s oštećenim svrdlom može rezultirati teškim povredama.
- **Svrdlo nemojte nikada upotrebljavati s rukohvatima iznad visine struka.** To ograničava kontrolu nad svrdlom i može povećati rizik od povreda.
- **Mašinu držite objema rukama za predviđene rukohvate.** Gubitak kontrole može uzrokovati tjelesne povrede.
- **Kada obavljate radove pri kojima pribor za kopanje može doći u kontakt sa skrivenim ožičenjem, mašinu držite za izolirane površine za držanje.** Ako pribor za kopanje dodirne kabel pod naponom, postoji

opasnost da izloženi metalni dijelovi mašine isto budu pod naponom, što za rukovaoca može predstavljati opasnost od strujnog udara.

- **Kako biste smanjili rizik od strujnog udara, svrdlo nemojte nikada upotrebljavati u blizini podzemnih električnih kabela.** Kontakt s podzemnim električnim kabelima ili upotreba u blizini podzemnih električnih kabela može uzrokovati teške povrede ili strujni udar sa smrtnim ishodom.
- **Mašinu uvijek pokrećite pri niskoj brzini i s vrhom nastavka svrdla u kontaktu s tlom.** Pri višim brzinama nastavak se može saviti ako se slobodno okreće bez kontakta s tlom, što može rezultirati tjelesnim povredama.
- **Primijenite pritisak samo u direktnoj liniji s nastavkom i nemojte pretjerano pritiskati.** Nastavci se mogu saviti i uzrokovati lom ili gubitak kontrole, što može rezultirati tjelesnim povredama.
- **Uvijek vodite računa da imate čvrst oslonac.** Kada mašinu upotrebljavate na visokim mjestima, vodite računa da niko ne bude ispod vas.
- **Čvrsto držite mašinu.**
- **Držite ruke podalje od rotirajućih dijelova.**
- **Mašinu koja radi nemojte ostavljati bez nadzora. Mašinu upotrebljavajte samo kada je držite u rukama.**
- **Nemojte dodirivati svrdlo odmah nakon rada.** Svrdlo može biti veoma vruće i uzrokovati opekotine.
- **Ako nešto nije u redu s mašinom, npr. ako se čuju neuobičajeni zvukovi, odmah prekinite s radom i obratite se lokalnom servisnom centru radi popravka.**
- **Kako biste umanjili rizik od eksplozije, svrdlo nemojte nikada upotrebljavati u blizini podzemnih plinskih cijevi, uključujući vodovodne cijevi i cijevi.** Kontakt s podzemnim vodovodnim ili plinskim cijevima ili upotreba u blizini podzemnih vodovodnih ili plinskih cijevi može uzrokovati pucanje vodovodnih cijevi i eksploziju plina iz plinskih cijevi, što može rezultirati teškim povredama ili smrću.
- **Mašinu nemojte nikada upotrebljavati pri brzini višoj od maksimalne nazivne brzine nastavka svrdla.** Pri višim brzinama nastavak se može saviti ako se slobodno okreće bez kontakta s obratkom, što može rezultirati tjelesnim povredama.
- **Akumulatorske mašine nije potrebno uključivati u električnu utičnicu, stoga su uvijek u radnom stanju. Imajte na umu moguću opasnosti čak i kada mašina ne radi.** Budite oprezni pri obavljanju radova održavanja ili servisiranja.

- **Mašinu nemojte prati crijevom; izbjegavajte da voda dospije u motor i električne priključke.**
- **Noževi za led su vrlo oštri. Budite veoma oprezni kada bušite rupe ili mijenjate noževe. Postavite štitić noža nakon svake upotrebe.**
- **Redovno provjeravajte da li je vijak za zaključavanje dobro pritegnut.**

**SAČUVAJTE OVA UPUTSTVA.** Uputstvima se koristite često i upotrebljavajte ih za upućivanje drugih osoba koje mogu upotrebljavati ovu mašinu. Ako ovu mašinu nekom posudite, priložite i ovo uputstvo radi sprečavanja nepropisne upotrebe proizvoda i mogućih povreda.

## TEHNIČKI PODACI

Napon		56 V
Obrtni moment		74 Nm
Brzina vrtnje bez opterećenja ( $n_0$ )	Naprijed	Niska: 0–150 o/min Visoka: 0–210 o/min
	Unazad	100 o/min
Masa (bez kompleta baterija)		10,2 kg

## SADRŽAJ PAKOVANJA (SL. A1)

### OPIS

#### UPOZNAJTE SVOJU POGONSKU JEDINICU (sl. A1)

1. Lijevi rukohvat
2. Desni rukohvat
3. Birač smjera/brzine okretanja
4. Dugme za zaključavanje
5. Okidni prekidač za varijabilnu brzinu
6. Dugme za oslobađanje baterije
7. LED svjetlosni indikator
8. Pogonska jedinica
9. Priključak kompleta baterija
10. Nasadni ključ (10 mm)
11. Inbus ključ (5 mm)

## SASTAVLJANJE

### POSTAVLJANJE RUKOHVATA

1. Umetnite cijevi desnog i lijevog rukohvata u zakrivljene utore na postolju pogonske jedinice tako da priključak kompleta baterija bude okrenut prema nazad (sl. B1).
2. Poravnajte dvije rupe na svakoj cijevi rukohvata s dvije rupe u svakom toru postolja.

**NAPOMENA!** Pogrešno desno/lijevo postavljanje rukohvata spriječit će poravnanje ovih rupa.

3. Za pričvršćivanje rukohvata na pogonsku jedinicu upotrijebite 8 kompleta vijaka, podloški i matica. Za čvrsto pritezanje upotrijebite ključ i inbus ključ od 5 mm (sl. B2).
4. Poravnajte strelicu na kabelu desnog rukohvata sa strelicom na kabelu pogonske jedinice. Zatim utaknite utikač kabela desnog rukohvata u utičnicu za kabel pogonske jedinice. Čvrsto ih pritegnite (sl. B2).

**NAPOMENA!** Kako biste izbjegli oštećenje kabela, tokom postavljanja ga nemojte savijati niti uvrtati.

B1-1	Desni rukohvat	B1-2	Lijevi rukohvat
B1-3	Priključak kompleta baterija	B2-1	Osovinica
B2-2	Podloška	B2-3	Matica
B2-4	Utikač kabela	B2-5	Utičnica za kabel

## POSTAVLJANJE PRIKLJUČKA POGONSKE JEDINICE

**⚠ UPOZORENJE!** S razumijevanjem pročitajte cijeli korisnički priručnik za svaki opcionalni priključak koji se upotrebljava na ovoj pogonskoj jedinici i obratite pažnju na sva upozorenja i uputstva. Zanemarivanje svih uputstava može rezultirati strujnim udarom, požarom i/ili teškim tjelesnim povredama.

**⚠ UPOZORENJE!** Ova pogonska jedinica PHA7400E od 56 V predviđena je samo za upotrebu s modelima priključaka proizvođača EGO koji su navedeni u ovom korisničkom priručniku ili koje je proizvođač EGO naknadno naveo za upotrebu s ovom pogonskom jedinicom. Upotreba drugih, neodobrenih priključaka može rezultirati teškim tjelesnim povredama ili materijalnim štetama.

**⚠ UPOZORENJE!** Priključak nemojte nikada postavljati, skidati ili podešavati dok pogonska jedinica radi ili kada je baterija postavljena. Zanemarivanje zaustavljanja motora i vađenja baterije može rezultirati teškim tjelesnim povredama. **POGONSKU JEDINICU NEMOJTE NIKADA UPOTREBLJAVATI BEZ PRIKLJUČKA.**

## RAD

### POSTAVLJANJE/UKLANJANJE KOMPLETA BATERIJA

Upotrebjavajte samo komplete baterija i punjače proizvođača EGO navedene na sl. A2.

### Komplet baterija potpuno napunite prije prve upotrebe.

#### Postavljanje

Poravnajte kontakte baterije s montažnim utorima i pritišćite komplet baterija prema dolje dok ne začujete zvuk klikanja (sl. C1).

#### Uklanjanje

Pritisnite dugme za oslobađanje baterije i izvucite komplet baterija (sl. C2).

C1-1	Montažni utor	C1-2	Rebro
C2-1	Dugme za oslobađanje baterije		

### POKRETANJE/ZAUSTAVLJANJE POGONSKE JEDINICE (sl. D)

- **Za uključivanje pogonske jedinice** pritisnite dugme za zaključavanje i držite ga pritisnutim, a zatim pritisnite prekidač za varijabilnu brzinu. Otpustite dugme za zaključavanje i nastavite stiskati okidni prekidač za kontinuirani rad.

**NAPOMENA!** Okidni prekidač za varijabilnu brzinu omogućuje višu brzinu s većim pritiskom na okidač i nižu brzinu sa manjim pritiskom na okidač.

- **Za isključivanje pogonske jedinice** otpustite okidni prekidač i pričekajte da se nastavak svrdla potpuno zaustavi.

D-1	Dugme za zaključavanje	D-2	Okidni prekidač za varijabilnu brzinu
-----	------------------------	-----	---------------------------------------

### ODABIR SMJERA I BRZINE OKRETANJA (sl. E)

Držite desni rukohvat desnom rukom.

- Za aktivaciju smjera okretanja prema naprijed pri visokoj brzini pomaknite birač u položaj "2".
- Za aktivaciju smjera okretanja prema naprijed pri niskoj brzini pomaknite birač u položaj "1".
- Za aktivaciju smjera okretanja unazad pomaknite birač u položaj "R".

**NAPOMENA!** Promjena smjera okretanja između naprijed i unazad moguća je samo kada se pogonska jedinica zaustavi.

**NAPOMENA!** Podešavanje brzine u smjeru okretanja prema naprijed može se obaviti u bilo kojem trenutku, bez obzira na to je li pogonska jedinica pokrenuta ili zaustavljena.

E-1	Birač smjera/brzine okretanja
-----	-------------------------------

## INDIKATOR STATUSA

Pogonska jedinica svrdla opremljena je LED indikatorom statusa za prikaz radnog statusa mašine. LED indikator svijetli samo kada se pogonska jedinica pokrene.

LED INDIKATOR STATUSA	RADNI USLOVI	RADNJA
Svijetli zeleno.	Pogonska jedinica pravilno radi.	Normalan rad. Radnja nije potrebna.
Svijetli crveno.	Pogonska jedinica je preopterećena.	Otpustite okidač, podignite svrdlo iz rupe i provjerite uzroke preopterećenja. Ako je zaustavljanje mašine uzrokovala velika prepreka, možda ćete morati pronaći drugo mjesto za kopanje.  Ako se problem ne može riješiti, obratite se centru korisničke službe proizvođača EGO.
	Pogonska jedinica je previše hladna.	Otpustite okidač. Unesite svrdlo u zatvoreni prostor da se zagrije.
Svijetli narandžasto.	Zaštita od povratnog udara.	Otpustite okidač i podignite svrdlo iz rupe. Ponovo pokrenite svrdlo i pažljivo ga spustite nazad u rupu.
Treperi crveno.	Komplet baterija je skoro prazan.	Napunite komplet baterija.
Treperi narandžasto.	Pogonska jedinica je pregrijana.	Zaustavite svrdlo i pričekajte neko vrijeme da se svrdlo ohladi.
Naizmjenično treperi zeleno i crveno.	Greška u komunikaciji.	Za popravak se obratite centru korisničke službe proizvođača EGO.
Nikako ne svijetli.	Ako LED indikator na kompletu baterija treperi narandžasto ili svijetli crveno, komplet baterija je pregrijan.	Pričekajte da se komplet baterija ohladi i ponovo pokrenite svrdlo.
	Ostale greške elektronike.	Za popravak se obratite centru korisničke službe proizvođača EGO.

## ODRŽAVANJE

**▲ UPOZORENJE!** Prije servisiranja, čišćenja, zamjene priključaka ili uklanjanja materijala s jedinice uklonite komplet baterija iz proizvoda da izbjegnute teške tjelesne povrede.

### OSNOVNO ODRŽAVANJE

Kada čistite plastične dijelove, izbjegavajte upotrebljavati rastvore. Mnoge plastike mogu se oštetiti različitim vrstama komercijalnih rastvora i mogu se oštetiti njihovom upotrebom. Za uklanjanje prljavštine, prašine, ulja, masti i sl. upotrebljavajte čistu krpu.

**▲ UPOZORENJE!** Nemojte nikada dozvoliti da kočione tekućine, benzin, proizvodi na bazi nafte, penetrirajuća ulja i sl., dođu u kontakt s plastičnim dijelovima. Hemikalije mogu oštetiti, oslabiti ili uništiti plastiku, što može rezultirati teškim tjelesnim povredama.

### SKLADIŠTENJE POGONSKE JEDINICE

1. Izvadite komplet baterija iz pogonske jedinice.
2. Pogonsku jedinicu dobro očistite prije skladištenja.
3. Pogonsku jedinicu skladištite na suhom, dobro prozračenom mjestu koje je moguće zaključati ili koje je na visini, izvan dohvata djece. Pogonsku jedinicu nemojte skladištiti na gnojivima, benzinu ili drugim hemikalijama ili u njihovoj blizini.

### ZAŠTITA ŽIVOTNE SREDINE



Električnu opremu, iskorištenu bateriju i punjač ne odlažite u kućni otpad! Ovaj proizvod odnesite u ovlaštenu centar za reciklažu i time omogućite odvojeno sakupljanje. Električne alate potrebno je vratiti u ekološki prihvatljiv pogon za reciklažu.



## RJEŠAVANJE PROBLEMA

Pogledajte korisnički priručnik priključka koji upotrebljavate.

## GARANCIJA

### POLITIKA GARANCIJE PROIZVOĐAČA EGO

Za sve odredbe i uslove politike garancije proizvođača EGO posjetite internetsku stranicu [egopowerplus.eu](http://egopowerplus.eu).

**BS**

**220**

AKUMULATORSKA POGONSKA JEDINICA SA SVRDLOM I LITIJ-IONSKOM  
BATERIJOM OD 56 V – PHA7400E







## استكشاف الأعطال وإصلاحها

راجع دليل تشغيل الملحق المستخدم.

## الضمان

سياسة ضمان EGO

تفضل بزيارة الموقع الإلكتروني [egopowerplus.eu](http://egopowerplus.eu) للتعرف على الشروط والأحكام الكاملة الخاصة بسياسة ضمان EGO.

## مؤشر الحالة

يشتمل رأس الطاقة الخاص بالبريمة على مؤشر حالة LED لعرض حالة عمل الآلة. لن يضيء مؤشر LED إلا عند بدء تشغيل رأس الطاقة.

مؤشر الحالة LED	حالة العمل	الإجراء
أخضر ثابت	يعمل رأس الطاقة بشكل صحيح.	التشغيل العادي. لست في حاجة إلى اتخاذ أي إجراءات.
أحمر ثابت	هناك حمل زائد على رأس الطاقة.	حرر الزناد، وارفع البريمة من الحفرة، وتحقق من أسباب الحمل الزائد. قد تحتاج إلى إيجاد مكان بديل للحفر إذا تسبب عائق كبير في توقف الآلة عن العمل. إذا تعذر حل المشكلة، فاتصل بقسم خدمة العملاء بشركة EGO للإصلاح.
	رأس الطاقة بارد للغاية.	اترك الزناد. أحضر البريمة إلى مكان مغلق لتدفئتها.
برتقالي ثابت	الحماية ضد رد الفعل الارتدادي.	حرر الزناد، ارفع البريمة من الحفرة. أعد تشغيل البريمة وقم بإزالتها برفق مرة أخرى في الحفرة.
يوميض باللون الأحمر	كاد شحن مجموعة البطارية أن يفقد.	اشحن مجموعة البطارية.
برتقالي وامض	هناك حرارة زائدة في رأس الطاقة.	أوقف البريمة وانتظر لبعض الوقت إلى أن تبرد البريمة.
وميض بالتبادل بين اللونين الأخضر والأحمر.	حدث خطأ في الاتصال.	تواصل مع قسم خدمة العملاء بشركة EGO لإصلاح العيب.
لا توجد إضاءة.	إذا كان مؤشر LED الموجود بمجموعة البطارية يوميض باللون البرتقالي أو يتوهج باللون الأحمر، فهذا يعني أن مجموعة البطارية ساخنة بشكل مفرط.	اترك مجموعة البطارية تبرد وأعد تشغيل البريمة مرة أخرى.
	خطأ في أحد المكونات الإلكترونية الأخرى.	تواصل مع قسم خدمة العملاء بشركة EGO لإصلاح العيب.

## تخزين رأس الطاقة

1. أخرج مجموعة البطارية من رأس الطاقة.
2. نظف رأس الطاقة جيدًا قبل تخزينه.
3. خزن رأس الطاقة في منطقة جافة جيدة التهوية، بحيث يكون في مكان مغلق أو عالٍ عن سطح الأرض بعيدًا عن متناول أيدي الأطفال. لا تقم بتخزين رأس الطاقة على الأسمدة أو البنزين أو المواد الكيميائية الأخرى، أو بجوارها.

## حماية البيئة

لا تتخلص من المعدات الكهربائية أو البطارية المستهلكة أو الشاحن في النفايات المنزلية! بل توجه بهذا المنتج إلى مركز إعادة تدوير معتمد ليكون متاحًا للفرز بشكل منفرد. تجب إعادة الآلات الكهربائية إلى مرفق إعادة تدوير صديق للبيئة.



## الصيانة

**⚠ تحذير:** لمنع التعرض لإصابات شخصية خطيرة، اخلع مجموعة البطارية من المنتج قبل إجراء أعمال الصيانة، أو التنظيف، أو تغيير المرفقات، أو إزالة المواد من الوحدة.

## الصيانة العامة

تجنب استخدام المنظفات عند تنظيف الأجزاء البلاستيكية. غالبية المكونات البلاستيكية تكون سريعة التأثر بالأنواع المختلفة للمنظفات الموجودة بالسوق، وقد تتلف نتيجة استخدامها عليها. استخدم قطعة قماش نظيفة لإزالة الأوساخ والأتربة والزيت والشحم وما شابههم.

**⚠ تحذير:** لا تسمح في أي وقت من الأوقات بملامسة سوائل الفرمال أو البنزين أو المنتجات القائمة على البترول أو الزيت المتغلغل أو ما شابههم للأجزاء البلاستيكية. لأن المواد الكيميائية قد تتسبب في تلف الأجزاء البلاستيكية أو ضعفها أو تدميرها، وهو ما قد يؤدي إلى وقوع إصابات خطيرة.

## اختيار اتجاه الدوران وسرعته (الشكل E)

أمسك المقبض الأيمن بيدك اليمنى.

- ادفع المحدد إلى الوضع "2" لتفعيل الحركة إلى الأمام بسرعة عالية.
- ادفع المحدد إلى الوضع "1" لتفعيل الحركة إلى الأمام بسرعة منخفضة.
- ادفع المحدد إلى الوضع "R" لتفعيل الدوران العكسي.

**ملاحظة:** لا يمكن تغيير اتجاه الدوران بين الحركة إلى الأمام والدوران العكسي إلا عند إيقاف رأس الطاقة.

**ملاحظة:** يمكن تحقيق ضبط سرعة الحركة إلى الأمام في أي وقت، بغض النظر عما إذا كان رأس الطاقة قد بدأ تشغيله أو توقف.

E-1	اتجاه الدوران/محدد السرعة
-----	---------------------------

## التشغيل

### تركيب/خلع مجموعة البطارية

لا تستخدم الآلة إلا مع مجموعات بطارية وشواحن EGO المدرجة في الشكل A2.

اشحن البطارية بالكامل قبل الاستخدام لأول مرة.

### للتركيب

قم بمحاذاة دعامة البطارية مع فتحات التركيب، واضغط على مجموعة البطارية لأسفل إلى أن تسمع صوت "نقرة" (الشكل C1).

### للفصل

اضغط إلى أسفل على زر تحرير البطارية، واسحب مجموعة البطارية إلى الخارج (الشكل C2).

C1-1	فتحة التركيب	C1-2	دعامة
C2-1	زر تحرير البطارية		

### بدء تشغيل/إيقاف رأس الطاقة (الشكل D)

- **لتشغيل رأس الطاقة،** اضغط مع التثبيت على زر القفل، ثم اعصر المفتاح الزنبركي ذي السرعة المتغيرة. حرر زر القفل، وواصل عصر المفتاح الزنبركي للتشغيل المتواصل.
- **ملاحظة:** المفتاح الزنبركي ذو السرعة المتغيرة يقدم سرعة أعلى عند زيادة الضغط على الزناد، وسرعة أقل عند تقليل الضغط على الزناد.
- **لإيقاف تشغيل رأس الطاقة،** حرر المفتاح الزنبركي واترك لقمة البريمة إلى أن تتوقف تمامًا.

D-1	زر القفل	D-2	المفتاح الزنبركي ذو السرعة المتغيرة
-----	----------	-----	-------------------------------------

10. مفتاح بيبية (مفتاح ربط مجوف) (10 مم)
11. مفتاح الأنكيه (5 مم)

## التجميع

### تركيب المقابض

1. مع توجيه منفذ مجموعة البطارية إلى الخلف، أدخل أنابيب المقبضين الأيمن والأيسر في الفتحات المنحنية بقاعدة رأس الطاقة (الشكل B1).
2. قم بمحاذاة الفتحتين في كل أنبوب مقبض مع الفتحتين في كل فتحة قاعدة.
3. **ملاحظة:** سيؤدي التثبيت غير الصحيح على الجانب الأيمن/الأيسر للمقابض إلى منع محاذاة هذه الثقوب.
4. استخدم 8 مجموعات من المسامير والوردات والصواميل لتثبيت المقابض برأس الطاقة. استخدم مفتاح الربط ومفتاح الأنكيه مقاس 5 مم لربطهما بإحكام (الشكل B2).
5. قم بمحاذاة السهم الموجود على كابل المقبض الأيمن مع السهم الموجود بكابل رأس الطاقة. ثم أدخل قابس الكابل الخاص بالمقبض الأيمن في مقبس الكابل الخاص برأس الطاقة. ثم اربط بإحكام (الشكل B2).
6. **تنبيه:** لمنع تلف الكابل، لا تتسبب في انثنائه أو انحناؤه في أثناء التجميع.

B1-1	المقبض الأيمن	B1-2	المقبض الأيسر
B1-3	منفذ مجموعة البطارية	B2-1	مسمار ملولب
B2-2	وردة	B2-3	صامولة
B2-4	قابس الكابل	B2-5	مقبس الكابل

### تركيب ملحق رأس الطاقة

**تحذير:** اقرأ دليل التشغيل بأكمله وافهمه لكل ملحق اختياري مصمم للاستخدام مع رأس الطاقة هذا، واتبع جميع التحذيرات والتعليمات. عدم اتباع جميع التعليمات قد يؤدي إلى حدوث صدمة كهربائية أو نشوب حريق أو التعرض للإصابة الشخصية، أحدها أو جميعها.

**تحذير:** رأس الطاقة PHA7400E بجهد 56 فولت هذا مصمم للاستخدام مع طرازات ملحقات EGO المحددة في دليل التشغيل هذا فقط، أو التي يتم تقديمها لاحقاً من شركة EGO للاستخدام مع رأس الطاقة هذا. استخدام الملحقات غير المعتمدة الأخرى قد يؤدي إلى وقوع إصابات شخصية خطيرة أو تلف للممتلكات.

**تحذير:** لا تقم أبداً بتركيب أي ملحق أو خلعه أو تعديله بينما رأس الطاقة تعمل أو والبطارية قد تم تركيبها. عدم إيقاف المحرك وخلع البطارية قد يؤدي إلى وقوع إصابات شخصية خطيرة. لا تقم مطلقاً بتشغيل رأس الطاقة من دون تركيب الملحق.

- للحد من خطر الانفجار، لا تستخدم البريمة مطلقاً بالقرب من أي خطوط غاز مدفونة، بما في ذلك خطوط المياه والأتايبب. قد تؤدي ملازمة خطوط المياه أو الغاز المدفونة أو استخدام الآلة بالقرب منها إلى ثقب خطوط المياه أو انفجار خطوط الغاز، مما قد يتسبب في إصابة خطيرة أو الوفاة.
- لا تقم بأي حال من الأحوال بتشغيل الآلة على سرعة أعلى من الحد الأقصى للسرعة المقرر للقيمة البريمة. فعند السرعات العالية، تميل للقيمة إلى الانثناء إذا تم تركها تدور في الهواء دون ملازمة القطعة التي سيتم العمل عليها، وهو ما قد يؤدي إلى وقوع إصابات شخصية.
- لا تحتاج الآلات العاملة بالبطارية إلى توصيلها بمصدر تيار كهربائي؛ ولهذا فهي دائماً ما تكون جاهزة للتشغيل. احذر المخاطر المحتملة، حتى عند عدم تشغيل الآلة. كن حذراً عند تنفيذ أعمال الصيانة أو الخدمة.
- لا تغسل المنتج بخراطيم الماء؛ وتجنب وصول الماء إلى المحرك والتوصيلات الكهربائية.
- شفرات الثلج حادة جداً. توخ الحذر الشديد عند حفر حفرة أو استبدال الشفرات. يجب تركيب واقي الشفرة بعد كل استخدام.
- تحقق بشكل متكرر وتأكد من تثبيت مسمار القفل في مكانه.
- احفظ هذه التعليمات. راجعها باستمرار واستخدمها لتوجيه الآخرين عند استخدام هذه الآلة. إذا أعرت هذه الآلة شخصاً آخر، أعره أيضاً هذه التعليمات معها لمنع الاستخدام الخاطئ للمنتج والتعرض للإصابات المحتملة.

## المواصفات

الجهد الكهربائي	56 فولت
العزم	74 نيوتن متر
السرعة من دون حمل (n <sub>0</sub> )	منخفضة: 0-150/دقيقة
	عالية: 0-210/دقيقة
الوزن (من دون مجموعة البطارية)	الدوران العكسي
	100/دقيقة
	10.2 كجم

## قائمة المحتويات (الشكل A1)

### الوصف

#### تعرف على رأس الطاقة (الشكل A1)

1. المقبض الأيسر
2. المقبض الأيمن
3. اتجاه الدوران/محدد السرعة
4. زر القفل
5. المفتاح الزنبركي ذو السرعة المتغيرة
6. زر تحرير البطارية
7. مؤشر LED
8. رأس الطاقة
9. منفذ مجموعة البطارية

## تحذيرات السلامة الخاصة برأس الطاقة

- يمكن استخدام رأس الطاقة PHA7400E هذا مع ملحقات EGO التالية فقط، أو التي يتم تقديمها لاحقاً من شركة EGO للاستخدام مع رأس الطاقة هذا:

نوع الملحق	رقم الطراز
لقمة بريمة حفر الأرض	ETA0800E
لقمة بريمة حفر الثلج	ITA0800E

- استبدل البريمات في حالة تشققها أو انشائها أو تلفها بأي شكل من الأشكال. يمكن أن يؤدي تشغيل الآلة مع بريمة تالفة إلى وقوع إصابة خطيرة.
- لا تستخدم البريمة مطلقاً مع وجود المقابض فوق مستوى الخصر. فهذا يقيد السيطرة على البريمة، وقد يزيد من خطر الإصابة.
- أمسك الآلة بكلتا يديك. قد يؤدي فقد السيطرة على الآلة إلى إصابات شخصية.
- أمسك بالآلة من أسطح الإمساك المعزولة، وذلك عند القيام بأعمال قد يخلق فيها ملحق الحفر بأسلاك مخفية. ملحق الحفر الذي يلامس سلكاً "يمر به تيار" قد يجعل الأجزاء المعدنية من الآلة "يمر بها تيار"، وهو ما قد يتسبب في تعرض المستخدم لصدمة كهربائية.
- لحذر من خطر التعرض لصدمة كهربائية، احرص على ألا تستخدم البريمة بالقرب من أي كوابل تيار كهربائي مدفونة في الأرض. لأن ملامستها لكابلات التيار الكهربائي المدفونة أو استخدامها بالقرب منها قد يتسبب في وقوع إصابات خطيرة أو التعرض لصدمة كهربائية قد تؤدي للوفاة.
- احرص دائماً على بدء تشغيل الآلة عند سرعة منخفضة مع ملامسة حافة لقمة الحفر للأرض. فعند السرعات العالية، تميل اللقمة إلى الانثناء إذا تم تركها تدور في الهواء دون ملامسة الأرض التي سيتم العمل عليها، وهو ما قد يؤدي إلى وقوع إصابات شخصية.
- يكون تطبيق الضغط في خط مستقيم باستخدام اللقمة، مع مراعاة عدم تطبيق ضغط زائد عن الحد. قد تنتهي اللقمة، وهو ما قد يؤدي لانكسارها أو فقد السيطرة عليها، وبالتالي قد تقع إصابات شخصية.
- احرص دائماً على ثبات موضع قدميك. تأكد من عدم وجود أي شخص في الأسفل عند استخدام الآلة في المواقع المرتفعة.
- أمسك الآلة بقوة.
- احتفظ باليدين بعيداً عن الأجزاء المتحركة.
- لا تترك الآلة وهي تعمل. بل يجب تشغيل الآلة فقط عندما تكون محمولة باليد.
- لا تلمس البريمة بعد التشغيل مباشرة. قد تكون ساخنة للغاية ويمكن أن تحرق جلدك.
- إذا حدث خطأ ما في الآلة، مثل الأصوات غير الطبيعية، فتوقف عن العمل على الفور واتصل بمركز الصيانة المحلي للإصلاح.

- استخدم الآلة والملحقات واللقم وما شابههم وفقاً لهذه التعليمات، مع الأخذ في الاعتبار بطور العمل والأعمال التي سيتم تنفيذها. قد يؤدي استخدام الآلة في أعمال غير تلك المخصصة لها إلى حوادث خطيرة.
- احتفظ بالمقابض وأسطح الإمساك جافة ونظيفة وخالية من الزيوت والشحوم. لأن المقابض وأسطح الإمساك المزلقة لا تمنحك القدرة على التعامل والتحكم الآمنين في الآلة في المواقف غير المتوقعة.

### استخدام الآلة العاملة بالبطارية والعناية بها

- لا تُعد شحن الآلة إلا باستخدام الشاحن المحدد من قبل الشركة الصانعة. فالشاحن الملائم لنوع ما من مجموعات البطارية قد يتسبب في نشوب حريق إذا تم استخدامه مع مجموعة بطارية أخرى.
- استخدم الآلات مع مجموعات البطارية المخصصة لها فقط. لأن استخدام أي مجموعات بطارية أخرى قد يؤدي إلى التعرض لإصابات أو نشوب حريق.
- عند عدم استخدام مجموعة البطارية، احتفظ بها بعيداً عن الأغراض المعدنية الأخرى مثل مشابك الأوراق أو العملات المعدنية أو المفاتيح أو المسامير أو البراغي أو الأغراض المعدنية الصغيرة الأخرى التي قد يتسبب في عمل دائرة قصر (ماس كهربائي) بين أقطاب البطارية. لأن عمل دائرة قصر (ماس كهربائي) بين أطراف البطارية قد يتسبب في حروق أو نشوب حريق.
- في حالات التعامل السيء، قد يحدث ارتشاح للسوائل من البطارية؛ لا تلامسه. إذا حدثت ملامسة بشكل عرضي، فاغسلها بالماء. إذا لامس السائل العينين، فاطلب المساعدة الطبية على الفور. السائل المرشح من البطارية قد يتسبب في حدوث احتياج في الجلد أو حروق.
- لا تستخدم مجموعة البطارية أو الآلة إذا كانا تالفين أو تم إدخال تعديلات عليهما. لأن البطاريات التالفة أو التي تم تعديلها قد تعمل بشكل غير متوقع، وهو ما قد يؤدي لنشوب حريق أو حدوث انفجار أو خطر التعرض لإصابة.
- لا تقم بتعرض مجموعة البطارية أو الآلة للحريق أو درجات الحرارة الزائدة، التعرض لدرجات الحرارة الأعلى من 130 درجة مئوية قد يؤدي لحدوث انفجار.
- اتبع تعليمات الشحن ولا تشحن مجموعة البطارية أو الآلة في نطاق درجة حرارة خارج النطاق المحدد في التعليمات. قد يؤدي الشحن غير المضبوط أو في درجات حرارة خارج النطاق المسموح به إلى تلف البطارية وخطر نشوب حريق.

### الصيانة

- يجب إجراء الصيانة على الآلة بواسطة فني إصلاح متخصص باستخدام قطع غيار أصلية مطابقة فقط. فهذا يضمن المحافظة على سلامة الآلة.
- لا تقم بصيانة مجموعات البطارية التالفة بأي حال من الأحوال. بل ينبغي أن تكون صيانة مجموعات البطارية من خلال الشركة الصانعة أو مقدمي الخدمة المعتمدين فقط.

## تحذيرات السلامة العامة الخاصة بالآلة

- استخدم أدوات حماية شخصية. وارتد دائما أدوات حماية للعينين. سيؤدي استخدام أدوات الحماية كقناع الغبار أو أذنية السلامة المضادة للاتزان أو القبعة الصلبة أو أدوات حماية السمع في ظروف مناسبة إلى الحماية من الإصابات الشخصية.
- امنع بدء تشغيل الآلة غير المتمعد. احرص على أن يكون مفتاح الطاقة في وضع الإيقاف قبل توصيل المنتج بمصدر التيار أو مجموعة البطارية، أو التقاط الآلة أو حملها. إذا حملت الآلات وإصبعك على مفتاح التشغيل أو إذا شحنتها والمفتاح على وضع التشغيل، فقد يؤدي ذلك إلى وقوع حوادث.
- أزل أي مفتاح تعديل أو مفتاح ربط قبل تشغيل الآلة. قد يؤدي ترك مفتاح ربط أو مفتاح عادي مركبًا على جزء دوار بالآلة إلى وقوع إصابات شخصية.
- لا تقف في مكان تضطر فيه لمد يديك بعيدًا. قف وأنت ثابت وموازون في جميع الأوقات. وهو ما يسمح بتحكم أفضل في الآلة في الظروف غير المتوقعة.
- ارتد ملابس ملائمة. لا ترتد ملابس أو مجوهرات غير ثابتة. احتفظ بشعرك وملابسك بعيدًا عن الأجزاء المتحركة. قد تعلق الملابس الفضفاضة أو المجوهرات أو الشعر الطويل في الأجزاء المتحركة.
- إذا تم تقديم أجهزة خاصة بتوصيل أدوات استخراج وجمع الغبار، فأحرص على توصيلها واستخدامها على النحو اللازم. قد يؤدي استخدام جمع الغبار إلى الحد من المخاطر المرتبطة به.
- لا تدع الخبرة المكتسبة من الاستخدام المتكرر للآلات يجعلك تتعامل من دون الانتباه اللازم وتتجاهل مبادئ السلامة المتعلقة بالآلة. فقد يتسبب أي إجراء غير مدروس في إصابات خطيرة في جزء من الثانية.
- استخدام الآلة والعناية بها
- لا تجبر الآلة على أعمال تفوق قدرتها. استخدم الآلة الملائمة لأعمالك. ستقوم الآلة الملائمة بأداء أعمالك بشكل أفضل وأكثر أمانًا بالمعدل الذي أعدت له.
- لا تستخدم الآلة إذا لم يكن مفتاح التشغيل يعمل. أي آلة لا يمكن التحكم فيها بمفتاح التشغيل تعتبر خطرة ويجب إصلاحها.
- افصل القابس من مصدر التيار و/أو اخلع مجموعة البطاريات -إذا كانت قابلة للخلع- من الآلة قبل إجراء أي تغيير ملحقات أو تخزين الآلات. إجراءات السلامة الوقائية هذه تحد من خطر تشغيل الآلة بشكل خاطئ.
- حزّن الآلات غير المستخدمة بعيدًا عن متناول أيدي الأطفال ولا تسمح للأشخاص غير المعتادين على استخدام الآلة أو على هذه التعليمات بتشغيل الآلة. فالآلات تكون خطيرة في أيدي الأشخاص غير المدربين.
- حافظ على الآلة والملحقات. تحقق من عدم محاذاة الأجزاء المتحركة أو ربطها، أو وجود كسور في الأجزاء، أو أي حالة أخرى قد تؤثر على عمل الآلة. إذا كان هناك تلف، فقم بإصلاح الآلة قبل استخدامها. فالعديد من الحوادث تحدث بسبب الآلات التي لا تتم صيانتها بشكلٍ منتظم.
- احتفظ بالآلات القاطعة حادة ونظيفة. فالآلات القاطعة التي تتم صيانتها كما ينبغي للاحتفاظ بحوافها القاطعة حادة تكون أقل عرضة للانحناء ويكون التحكم فيها سهلًا.

**⚠ تحذير:** اقرأ جميع تحذيرات السلامة والتعليمات والرسوم التوضيحية والمواصفات المرفقة مع هذه الآلة. عدم اتباع جميع التعليمات الواردة أدناه قد يؤدي إلى حدوث صدمة كهربائية أو نشوب حريق أو التعرض للإصابة، أحدها أو جميعها.  
احتفظ بجميع التحذيرات والتعليمات للرجوع إليها في المستقبل.

### سلامة منطقة العمل

- حافظ على منطقة العمل نظيفة ومضاءة جيدًا، حيث عادة ما تتسبب المناطق المظلمة أو التي بها ركام إلى وقوع حوادث.
- لا تقم بتشغيل الآلات في أجواء قابلة للانفجار، على سبيل المثال في وجود سوائل أو غازات أو غير قابلة للاشتعال. فقد تتسبب الآلات في صدور شرارة، والتي قد تتسبب في اشتعال الغبار أو الأبخرة القابلة للاشتعال.
- احتفظ بالأطفال والمشاهدين بعيدًا عن موقع استعمال الآلة. حيث إن الإلهاءات قد تجعلك تفقد السيطرة على المنتج.

### السلامة الكهربائية

- ينبغي أن يتوافق قابس الآلة مع مقيس التيار. لا يجب إدخال تعديلات على القابس بأي حال من الأحوال. لا تستخدم أي قوايس مهايئة مع الآلات (المورّضة). ستؤدي القوايس غير المثبتة والمقابس المتوافقة إلى الحد من خطر حدوث صدمة كهربائية.
- تجنب ملامسة الجسم لأسطح مؤرّضة مثل الأنابيب والمشعاع والموائد والتلّجات. هناك خطر ممزأب حدوث صدمة كهربائية إذا كان جسمك مؤرّضًا.
- لا تقم بتعرض الآلات للمطر أو الأجواء الرطبة. حيث سيؤدي الماء الذي يدخل إلى الآلة إلى زيادة خطر حدوث صدمة كهربائية.
- لا تعبت بسلك التيار. لا تقم مطلقًا باستخدام سلك التيار لحمل الآلة أو سحبها أو فصلها عن التيار. احتفظ بالسلك بعيدًا عن مصادر الحرارة أو الزيت أو الحواف الحادة أو الأجزاء المتحركة. تؤدي أسلاك التيار التالفة أو المتشابكة إلى زيادة خطر حدوث صدمة كهربائية.
- عند تشغيل آلة في مكان خارجي مفتوح، استخدم سلك تمديد ملائم للاستخدام الخارجي. استخدم سلك ملائم للاستخدام الخارجي يحد من خطر حدوث صدمة كهربائية.
- إذا كان لا بد من تشغيل الآلة في مكان رطب، فاستخدم مصدر تيار محمي بقاطع تيار مؤرّض (GFCI). يؤدي استخدام قاطع تيار مؤرّض إلى الحد من خطر حدوث صدمة كهربائية.

### السلامة الشخصية

- ابق منتبهًا، وانتبه جيدًا لما تفعله، وكن وعائتيًا عند تشغيل الآلة. لا تستخدم أي آلة وأنت مجهد أو تحت تأثير المخدرات أو الكحوليات أو الأدوية. قد تؤدي لحظة من عدم الانتباه أثناء تشغيل الآلات إلى حدوث إصابات شخصية خطيرة.

## اقرأ جميع التعليمات!



**تحذير:** لضمان السلامة والاعتمادية، يجب تنفيذ جميع أعمال الإصلاح من قبل فني خدمة مؤهل.

## رموز السلامة

الغرض من رموز السلامة هو جذب انتباهك إلى المخاطر المحتملة. رموز السلامة والشروح المصاحبة لها تستحق اهتمامك وفهمك الدقيق. تحذيرات كل رمز، بنفسها، لا تمنع وقوع أي خطر. التعليمات والتحذيرات التي تمنحك إياها لا تعد بديلاً عن تطبيق الإجراءات الملائمة لمنع وقوع الحوادث.

**تحذير:** احرص على قراءة وفهم جميع تعليمات السلامة في دليل التشغيل هذا، بما في ذلك جميع رموز تنبيهات السلامة، مثل "خطر"، و"تحذير"، و"تنبيه" قبل استخدام هذه الآلة. عدم اتباع جميع التعليمات الواردة أدناه قد يؤدي إلى حدوث صدمة كهربائية أو نشوب حريق أو التعرض للإصابة الشخصية، أحدها أو جميعها.

## تعليمات السلامة

هذه الصفحة تصف وتشرح رموز السلامة التي قد تظهر على هذا المنتج. اقرأ جميع التعليمات المذكورة على الآلة وافهمها واتبعها قبل محاولة تجميع الآلة وتشغيلها.

للحد من خطر التعرض لإصابة، ينبغي على المستخدم قراءة دليل التشغيل.



تنبيه سلامة



ارتد أدوات حماية العينين



ارتد أدوات حماية الأذنين



هذا المنتج متوافق مع توجيهات شهادة الجودة الأوروبية (CE) المعمول بها.



لا يجب التخلص من الأجهزة الكهربائية المستهلكة في النفايات المنزلية. توجه بالجهاز إلى مركز إعادة تدوير معتمد.



تقييم المطابقة في المملكة المتحدة



تيار مستمر



kg كيلوجرام

V الجهد الكهربى

IPX4 الحماية من تآثر الماء





## איתור וטיפול בבעיות

ראו את המדריך למשתמש של האביזר המתאים.

## אחריות

מדיניות האחריות של EGO

ניתן לבקר באתר [egopowerplus.eu](http://egopowerplus.eu) כדי לעיין בתנאים וההתניות המלאים של מדיניות האחריות של EGO.

## מחונן מצב

ראש החשמל של המקדח כולל מחונן מצב LED כדי להציג את מצב העבודה של המכונה. מחונן ה-LED יואר רק בעת הפעלת ראש החשמל.

מחונן LED מצב	מצב עבודה	פעולה
אור ירוק יציב	ראש החשמל פועל כראוי.	פעולה רגילה. אין צורך בפעולה.
אור אדום רציף	ראש החשמל עמוס יתר על המידה.	שחררו את ההדק, הרימו את המקדח מהחור ובדקו אם יש סיבות לעומס יתר. ייתכן שיהיה עליכם למצוא מקום חלופי לחפור אם חסימה גדולה גרמה למכונה לעצור. אם לא ניתן לפתור את הבעיה, פנו לשירות הלקוחות EGO לקבלת תיקון.
	ראש החשמל קר מדי.	שחררו את ההדק. הכניסו את המקדח לתוך הבית כדי לחמם אותו.
אור כתום יציב	הגנה נגד תגובה לאחור.	שחררו את ההדק, הרימו את המקדח מהחור. הפעילו מחדש את המקדח והרידו אותו בעדינות בחזרה לתוך החור.
אור אדום מהבהב	קיבולת מארז הסוללות כמעט מתרוקנת.	הטעינו את מארז הסוללה.
אור כתום מהבהב	ראש החשמל מתחמם יתר על המידה.	עצרו את המקדח והמתינו זמן מה כדי לקרר את המקדח.
אור ירוק ואדום מהבהבים לסירוגין.	תקלת תקשורת.	צרו קשר עם מחלקת שירות הלקוחות של EGO לתיקונים.
ללא אור.	אם מחונן ה-LED במארז הסוללות מהבהב בכתום או באדום, מארז הסוללות התחמם יתר על המידה.	אפשרו למארז הסוללות להתקרר והפעילו מחדש את המקדח.
	שגיאת אלקטרוניקה אחרת.	צרו קשר עם מחלקת שירות הלקוחות של EGO לתיקונים.

## אחסון הראש החשמלי

1. הסירו את מארז הסוללה מראש החשמל.
2. נקו את ראש החשמל ביסודיות לפני אחסונו.
3. אחסנו את ראש החשמל במקום יבש, מאוורר היטב, נעולה או במקום גבוה, הרחק מהישג ידם של ילדים. אל תאחסנו את ראש החשמל קרוב לחומרי דשן, חומרי דלק או כימיקלים אחרים.

## הגנה על הסביבה

אין לזרוק ציוד חשמלי, מטעני סוללות וסוללות ביחד עם אשפה ביתית! יש לקחת מוצר זה למרכז מחזור מוסמך ולוודא שהוא זמין לאיסוף נפרד. יש להחזיר כלים חשמליים אל מתקן מחזור המתאים לסביבה.



## תחזוקה

**⚠ אזהרה:** על מנת למנוע פציעות אישיות חמורות, הוציאו את מארז הסוללה מהמכשיר לפני ביצוע כל עבודות שירות, ניקיון, החלפת אביזרים או הוצאה של חומרים מן היחידה.

### תחזוקה כללית

הימנעו משימוש בממסים כאשר אתה מנקה את חלקי הפלסטיק. רוב חלקי הפלסטיק עלולים להיזקק מסוגים שונים של ממסים מסחריים ועל ידי השימוש בהם. השתמשו במטלית נקייה על מנת להסיר לכלוך, אבק, שמן, חומר סיכה וכו'.

**⚠ אזהרה:** לעולם אל תאפשרו לנוזלי בלימה, בנזין, מוצרים מבוססי בנזין, שמנים וכו' לבוא במגע עם חלקי פלסטיק. חומרים כימיים עלולים להזיק, להחליש או להרוס את הפלסטיק והדבר עלול לגרום לפגיעה אישית חמורה.

## התקנת אביזר לראש חשמלי

**⚠ אזהרה:** קראו והבינו את המדריך למפעיל כולו לכל אביזר אופציונלי המשמש על ראש חשמלי זה ובצעו את כל האזהרות וההוראות. אי ביצוע כל ההוראות יכול לגרום להלם חשמלי, שרפה ו/או פציעות אישיות חמורות.

**⚠ אזהרה:** ראש חשמלי PHA7400E 56 V זה מיועד לשימוש עם דגמי אביזר EGO המפורטים במדריך זה למשתמש או מוצגים בהמשך על ידי EGO לשימוש עם ראש חשמלי זה. שימוש באביזרים אחרים, שאינם מורשים עשוי לגרום פציעות אישיות חמורות או נזק לרכוש.

**⚠ אזהרה:** לעולם אין לחבר להסיר או להתאים אביזר כלשהו כשהראש החשמלי פועל או כשהסוללה מותקנת. אי כיבוי המנוע והסרת הסוללה עשויים לגרום לפציעה אישית חמורה. **לעולם אין להפעיל את הראש החשמלי ללא אביזר.**

## בחירת כיוון הסיבוב והמהירות (איור E)

- חזיקו את הידית הימנית ביד ימין.
  - דחפו את הבורר למצב "2" כדי להפעיל סיבוב קדימה במהירות גבוהה.
  - דחפו את הבורר למצב "1" כדי להפעיל סיבוב קדימה במהירות נמוכה.
  - דחפו את הבורר למצב "R" כדי להפעיל סיבוב לאחור.
- הערה:** החלפת כיוון הסיבוב בין קדימה לאחורה אפשרית רק כאשר ראש החשמל נעצר.
- הערה:** ניתן להפעיל את כוונן המהירות קדימה בכל עת, ללא קשר אם ראש החשמל מופעל או נעצר.

E-1	כיוון סיבוב / בורר מהירות
-----	---------------------------

## הפעלה

### הצמדה/הסרה של מארז הסוללה

השתמשו רק במארזי הסוללה והמטענים של EGO המפורטים באיור A2.

### יש לבצע הטענה מלאה לפני השימוש הראשון.

#### חיבור

יישרו את עורקי הסוללה עם חריצי ההרכבה ולחצו את מארז הסוללה כלפי מטה עד הישמע "קליק" (איור C1).

#### הסרה

לחצו על כפתור שחרור הסוללה והוציאו את מארז הסוללה (איור C2).

עורק	C1-2	חריץ הרכבה	C1-1
		כפתור שחרור סוללה	C2-1

### הפעלה/כיבוי של הראש החשמלי (איור D)

- כדי להפעיל את ראש החשמל,** לחצו לחיצה ממושכת על לחצן הנעילה ולאחר מכן לחצו על מתג ההדק במהירות משתנה. שחררו את כפתור הנעילה והמשיכו ללחוץ על המתג להפעלה ממושכת.

**הערה:** מתג ההדק במהירות משתנה מספק מהירות גבוהה יותר עם לחץ הדק מוגבר ומהירות נמוכה יותר עם לחץ הדק מופחת.

- כדי לכבות את ראש החשמל,** שחררו את מתג ההדק ואפשרו למקדח להגיע לעצירה מוחלטת.

מתג הדק למהירות משתנות	D-2	כפתור נעילה	D-1
------------------------	-----	-------------	-----

## רשימת אריזה (איור A1)

### תיאור

#### הכירו את הראש החשמלי שלכם (איור A1)

1. ידית שמאלית
2. ידית ימנית
3. כיוון סיבוב/בורר מהירויות
4. כפתור נעילה
5. מתג הדק למהירויות מגוונות
6. כפתור שחרור סוללה
7. אינדיקטור לד
8. ראש חשמלי
9. יציאת מארז סוללות
10. מפתח זקוף (10 מ"מ)
11. מפתח אלן (5 מ"מ)

### הרכבה

#### התקנת הידיות

1. כאשר יציאת מארז הסוללות פונה לאחור, הכניסו את צינורות הידית הימנית והשמאלית לחריצים המעוקלים בבסיס ראש החשמל (איור B1).
  2. יישרו את שני החורים בכל צינור ידית עם שני החורים בכל חריץ בסיס.
- הערה:** התקנה שגויה מימין/משמאל של הידיות תמנע יישור של חורים אלה.
3. השתמשו ב-8 סטים של ברגים, דסקיות ואומים כדי לחבר את הידיות לראש החשמל. השתמש במפתח הברגים ובמפתח אלן 5 מ"מ כדי להדק אותם היטב (איור B2).
  4. יישרו את החץ בכבל ידית האחיזה הימנית עם החץ בכבל ראש החשמל. לאחר מכן הכניסו את תקע הכבל של הידית הימנית לשקע הכבל של ראש החשמל. הדקו אותם היטב (איור B2).
- הודעה:** כדי למנוע זקק לכבל, אין לכוּפף או לסובב אותו במהלך ההרכבה.

ידית שמאלית	B1-2	ידית ימנית	B1-1
בריה	B2-1	יציאת מארז סוללות	B1-3
אום	B2-3	דסקית	B2-2
שקע כבל	B2-5	תקע כבל	B2-4

- החזיקו את המכונה בחוזקה.
  - הרחיקו את הידיים מחלקים מסתובבים.
  - אל תשאירו את המכונה פועלת. הפעילו את המכונה רק כאשר היא מוחזקת בידי.
  - אל תגעו בביט המקדח מיד לאחר הפעולה. הוא יכול להיות חם מאוד ויכול ולשרוף את העור שלכם.
  - אם משהו לא בסדר במכשיר, כגון צלילים חריגים, הפסיקו מיד את פעולתו ופנו למרכז השירות המקומי שלכם לתיקון.
  - כדי להפחית את הסיכון לפיצוץ, לעולם אל תשתמשו במקדח ליד קווי גז קבורים, כולל קווי מים וצינורות. מגע או שימוש בקרבת קווי מים או גז קבורים עלול לגרום לפיצוץ קווי מים ולפיצוץ מקווי גז שעלול לגרום לפציעה חמורה או למוות.
  - לעולם אל תפעילו במהירות גבוהה יותר מאשר דירוג המהירות המקסימלית של ביט המקדח. במהירויות גבוהות יותר, החלק עשוי להתכופף אם מותר לו לסובב בחופשיות מבלי ליצור קשר עם חומר העבודה, וכתוצאה מכך עלולה להתרחש פגיעה אישית.
  - מכונות המופעלות על ידי סוללות לא צריכות להיות מחוברות אל החשמל; לכן, הן תמיד נמצאות במצב הפעלה. היו מודעים לסכנות גם כאשר המכונה איננה פועלת. היו זהירים בעת ביצוע עבודות תחזוקה או שירות.
  - אין לשטוף את המכשיר בעזרת צינור; מנעו ממים להיכנס אל המנוע ואל חיבורי החשמל.
  - להבי הקרח חדים מאוד. יש לנקות משנה זהירות בעת קידוח חור או החלפה של הלהבים. התאימו את מגן הלהב לאחר כל שימוש.
  - בדקו וודאו לעתים קרובות שבורג הנעילה מאובטח במקומו.
- יש לשמור על הוראות אלו. יש לעיין בהוראות לעתים תכופות ולעקוב אחריהן כדי שתוכלו להדריך אחרים העשויים להשתמש במכונה. אם אתם מלווים את המכונה למישהו אחר, תנו לו גם את ההוראות הללו על מנת למנוע שימוש לא נכון של המוצר או פגיעות אפשריות.

### מפרטים

מתח		V 56	
מומנט		Nm 74	
מהירות ללא עומס (n <sub>0</sub> )	קדימה	נמוכה: 150-0/דקה גבוהה: 210-0/דקה	
	אחורה	100/דקה	
משקל (ללא מארז סוללה)	10.2 ק"ג		

## שירות

- בצעו עבודות שירות על המכשיר שלכם רק באמצעות טכנאי שירות מוסמך העושה שימוש בחלקי חילוף זהים בלבד. הדבר יבטיח שבטיחות המכשיר נשמרת.
- לעולם אל תבצעו עבודות שירות למארזי סוללה ניזוקים. תיקון של מארזי סוללה צריך להתבצע רק על ידי היצרן או ספקי שירות מוסמכים.

## אזהרות בטיחות עבור ראש החשמל

- ניתן להשתמש בראש החשמלי PHA7400E עם האביזרים הבאים של EGO או שהוצגו על ידי EGO לשימוש עם ראש חשמלי זה:

סוג האביזר	מספר דגם
מקדח ביט קרקע	ETA0800E
מקדח ביט קרח	ITA0800E

- החליפו את המקדחות אם הן סדוקות, מכופפות או פגומות בדרך כלשהי. הפעלת המכונה עם מקדח פגום עלולה לגרום לפציעה חמורה.
- לעולם אל תשתמשו במקדח עם הידיות מעל גובה המותניים. הדבר מגביל את השליטה של המקדח ועלול להגדיל את הסיכון לפציעה.
- החזיקו את המכונה בשתי הידיים בידידות המיועדות לכך. אבדן שליטה עלול לגרום לפציעה גופנית.
- החזיקו את המכונה בעזרת משטחי המאחז המבודדים, בעת ביצוע של פעולה בה אביזר הקידוח עלול לפגוע בכבלים חבויים. אביזרי קידוח הבאים במגע עם כבל „חי“ עלולים לגרום לחלקי מתכת של המכונה להיות „חיים“ ועלולים לגרום שוק חשמלי למפעיל.
- כדי להפחית את הסיכון להתחשמלות, לעולם אל תשתמשו במקדח ליד כבלי חשמל קבורים. מגע או שימוש בקרבת כבלי חשמל קבורים עלול לגרום לפציעה חמורה או להתחשמלות וכתוצאה מכך למוות.
- הפעילו תמיד את המכונה במהירות נמוכה ועם קצה הביט של המקדח במגע עם הקרקע. במהירויות גבוהות יותר, החלק עשוי להתכופף אם מותר לו לסובב בחופשיות מבלי ליצור קשר עם הקרקע, וכתוצאה מכך עלולה להתרחש פגיעה אישית.
- הפעילו לחץ רק בקו ישר עם הביט ואל תפעילו לחץ מוגזם. ביטים יכולים להתכופף ולגרום לשבירה או אבדן שליטה, וכתוצאה מכך עלולה להתרחש פגיעה אישית.
- תמיד היו בטוחים שיש לכם בסיס איתן. ודאו שאף אחד לא נמצא מתחת בעת השימוש במכונה במקומות גבוהים.

את המכשיר. מכשירים מוסכנים כאשר הם בהישג ידם של אנשים אשר לא הוכשרו להפעיל אותם.

- תחזקו מכונות ואביזרים. בדקו יישור או ליפוף של חלקים נעים, שבירה של חלקים ותנאים אחרים אשר עלולים להשפיע על פעולת המכשיר. במקרה של נזקים, יש לתקן את המכשיר לפני השימוש. תאונות רבות נגרמות כתוצאה מתחזוקה לקויה של מכשירים.
- שמרו על מכשירי החיתוך חדים ונקיים. למכשירי חיתוך אשר תוחזקו כהלכה בעלי קצוות חדים יש פחות סיכוי לבצע ליפוף וקל יותר לשלוט בהם.
- השתמשו במכשירים, באביזרים, בביטים של המכשירים וכו' בהתאם להוראות אלו, כאשר אתם לוקחים בחשבון את תנאי העבודה ואת העבודה שיש לבצע. השימוש במכשיר לפעולות שלהן הוא אינו מיועד עלול להוביל למצב מסוכן.
- שימרו על הידיות ועל חלקי האחיזה יבשים, נקיים וללא שמן או חומרי סיכה. ידיות ומשטחי אחיזה מחליקים לא מאפשרים טיפול נכון ושליטה במכשיר במצבים לא צפויים.

## השימוש והטיפול בסוללת המכונה

- הטעינו רק עם המטען המצויין על ידי היצרן. מטען המתאים למארז סוללה אחד עלול ליצור סכנת אש עבור מארז סוללה אחר.
- יש להשתמש במכשירים אך ורק עם מארזי הסוללה המיועדים להם. השימוש במארזי סוללה אחרים עלול ליצור סיכון לפציעות ושרפות.
- כאשר מארז הסוללה איננו בשימוש, שימרו עליו במרחק מסוים מעצמים אחרים העשויים ממתכת, כגון מהדקי נייר, מטבעות, מפתחות, מסמרים, ברגים או עצמים קטנים ממתכת העלולים לבצע חיבור של מסוף אחד למשנהו. ביצוע קצר בין מסופי הסוללה עלול לגרום לכוויות או שריפה.
- בתנאי שימוש לא נאותים, נודל עלול להיפלט מן הסוללה; הימנעו ממגע עמו. אם ישנו מגע מקרי, שטפו במים. אם מתרחש מגע עם העיניים, פנו לעזרה רפואית. נודל הנפלט מן הסוללה עלול לגרום לפריחה או כוויות.
- אל תשתמשו במארז סוללה או מכשיר ניזוקים או אשר שונו. סוללות ניזוקות או אשר שונו עלולות להתנהג בצורה לא צפויה אשר עלולה להסתיים בשרפה, פיצוץ או סיכון לפציעה אישית.
- אל תחשפו את מארז הסוללה או את המכשיר לאש או לטמפרטורות גבוהות. חשיפה אל אש או לטמפרטורות הגבוהות מ-130°C עלולה לגרום לפיצוץ.
- בצעו את כל הוראות ההטענה ואל תטעינו את מארז הסוללה או את המכשיר מחוץ לטווחי הטמפרטורה המצוינים בהוראות אלו. הטענה לא נכונה או מחוץ לטווחי הטמפרטורה המצוינים עלולים לגרום לנזק ולהעלות את הסיכון לשרפה.

תשומת לב בעת הפעלת מכשירים עלול לגרום לפציעה אישית חמורה.

- השתמשו בצידוד הגנה אישי. חבשו תמיד מגני עיניים. כאשר נעשה שימוש בצידוד הגנה כגון מסכת אבק, נעלי בטיחות נגד החלקה, כובעים קשים או מגני אוזניים, בתנאים המתאימים, הדבר יפחית את הסיכון לפציעות אישיות חמורות.

- יש להימנע מהפעלה מקרית. וודאו שהמתג נמצא במצב כבוי לפני חיבור של מקור מתח ו/או מארז הסוללה, לפני הרמת המכשיר או נשיאתו. נשיאה של מכשירים כאשר האצבע שלכם ממוקמת על המתג או חיבור מקורות מתח למכשירים הנמצאים במצב פועל, מזמינים תאונות.

- יש להסיר כל כלי כוונון או מפתח ברגים לפני הפעלת המכשיר. מפתח ברגים או כלי כוונון המוצמדים אל רכיב מסתובב של המכשיר עלול לגרום לפציעה אישית חמורה.

- אל תנסו להתמתח רחוק מדי. שימרו על צעד ואיזון בטוחים בכל זמן. הדבר מאפשר שליטה טובה יותר במכשיר במצבים בלתי צפויים.

- לבשו בגדים מתאימים. אל תלבשו בגדים רפויים או תכשיטים. שמרו על השיער שלכם ועל חלקי ביגוד הרחק מחלקים נעים. בגדים רפויים, תכשיטים או שיער ארוך עלולים להיתפס בחלקים הנעים.

- אם המכשירים מגיעים ביחד עם חיבור להוצאת אבק ומתקני איסוף, וודאו שאלו מחוברים כהלכה והשימוש בהם נעשה באופן נכון. השימוש במתקנים לאיסוף אבק יכול להפחית סכנות הקשורות לאבק.

- נקטו זהירות בעת השימוש במכשיר גם לאחר שאתם בקיאים בשימוש, ואל תיתנו לנוחיות השימוש שלכם להפוך אותכם לשאננים ולהתעלם מעקרונות הבטיחות. פעולה לא זהירה עלולה לגרום לפציעה חמורה בשריר שנייה.

## השימוש והטיפול במכשיר

- אל תפעילו כוח על המכשיר. השתמשו במכשיר המיועד למטרה שלכם. המכשיר הנוכח יבצע את עבודתו בצורה טובה ובטוחה יותר בקצב בו הוא תוכנן לפעול.
- אל תשתמשו בהתקן אם המתג אינו מפעיל ומכבה אותו. כל מכונה שלא ניתן לשלוט בה באמצעות המתג היא מסוכנת ויש לתקנה.
- נתקו את התקע ממקור החשמל ו/או הסירו את מארז הסוללה מן המכשיר, אם ניתן, לפני ביצוע כל התאמה, שינוי של אביזרים, או אחסון של מכשירים. אמצעי זהירות למניעה אלו מפחיתים את הסיכון להפעלה מקרית של המכשיר.
- יש לאחסן את המכשיר כשאינו בשימוש מחוץ להישג ידם של ילדים ואין לאפשר לאנשים שאינם מכירים את המכשיר או את ההוראות האלה להפעיל

## אזהרות בטיחות כלליות

### למכשיר

**▲ אזהרה:** קראו את כל אזהרות הבטיחות, את ההוראות, התמונות והמפרטים המסופקים ביחד עם מכשיר זה. אי מילוי כל ההוראות המופיעות למטה עלול לגרום להלם חשמלי, שרפה ו/או פציעה חמורה. שימרו את כל האזהרות וההוראות לעיון עתידי.

### בטיחות סביבת העבודה

- שימרו על סביבת העבודה נקייה ומוארת כהלכה. סביבות לא מסודרות ואפלות מזמינות תאונות.
- אל תפעילו מכשירים באזורים דליקים, בנוכחות נוזלים דליקים, דלק או אבק. מכשירים מייצרים ניצוצות העלולים להצית את האבק או האדים.
- בקשו מילדים ומעוברי אורח להתרחק מן המכשיר בעת הפעלתו. הסחות דעת עלולות לגרום לכם לאבד שליטה.

### בטיחות חשמלית

- התקעים של המכשיר צריכים להיות מתאימים לשקע. לעולם אל תשנו את התקע בכל צורה שהיא. אל תשתמשו במתאימים עבור תקעים של מכשירים בעלי הארקה. תקעים שלא שונו ושקעים מתאימים יפחיתו את הסיכון להלם חשמלי.
- הימנעו ממגע עם משטחים בעלי הארקה, כגון צינורות, רדיאטורים, כיריים ומקררים. יש סיכון גבוה להלם חשמלי אם הגוף שלכם מוארק.
- אין לחשוף את המכונה לגשם או לתנאי רטיבות. מים הנכנסים אל המכונה יגבירו את הסכנה להלם חשמלי.
- אל תפעילו לחץ על הכבל. לעולם אל תשתמשו בכבל על מנת לשאת, למשוך או להוציא את המכשיר מן השקע. שימרו על הכבל הרחק ממקורות חום, שמן, קצוות חדים או חלקים נעים. כבלים ניזוקים או מלופפים מגבירים את הסיכון לשוק חשמלי.
- בעת הפעלת המכשיר בחוץ, עשו שימוש בכבל מאריך המתאים לשימוש בחוץ. השימוש בכבל מאריך המתאים לשימוש בחוץ מפחית את הסיכון לשוק חשמלי.
- אם לא ניתן להימנע מהפעלת המכשיר במקום לח, עשו שימוש במפסק פחת להגנה על המתח. השימוש ב-GFDI מפחית את הסיכון לשוק חשמלי.

### בטיחות אישית

- יש להישאר דרוכים ומודעים, ולהשתמש בשכל הישר בעת שימוש במכשיר. נא לא להשתמש במכשיר כאשר אתם עייפים או תחת השפעה של סמים, אלכוהול או תרופות. רגע אחד של חוסר

## קראו את כל ההוראות!

קראו את מדריך ההוראות

**⚠ אזהרה:** על מנת להבטיח בטיחות ואמינות, יש לבצע את כל התיקונים וההחלפות בעזרת טכנאי שירות מוסמך.

### סמל בטיחות

מטרתם של סימני הבטיחות היא למשוך את תשומת לבכם אל סכנות אפשריות. סמלי הבטיחות וההסברים שלהם דורשים את תשומת הלב וההבנה המלאות שלך. סימני הבטיחות בעצמם לא ימנעו כל סכנה. ההוראות והאזהרות אותן הם מספקים לא תחלפנה נקיטת אמצעי מניעה מתאימים בעת תאונה.

**⚠ אזהרה:** ודאו שאתם קוראים ומבינים את כל הוראות הבטיחות המופיעות במדריך זה למשתמש, כולל כל סימני התראות הבטיחות כגון „סכנה“, „אזהרה“ ו”זהירות“ לפני השימוש במכשיר. אי מילוי אחר כל ההוראות המופיעות למטה יכול לגרום להלם חשמלי, שרפה ו/או פציעות אישיות חמורות.

### הוראות בטיחות

עמוד זה מציין ומתאר את סימני הבטיחות העשויים להופיע על גבי המוצר. קראו, הבינו ועקבו אחר ההוראות המופיעות על המכשיר לפני כל ניסיון להרכיב ולהשתמש בו.

כדי להפחית את הסיכון לפציעות, יש לקרוא את המדריך למשתמש.

התראת בטיחות

לבשו מגני עיניים

לבשו מגני אוזניים

מוצר זה תואם לתקנות ה-EC הרלוונטיות.

אין לזרוק מוצרים חשמליים עם האשפה הביתית. הביאו את המכשיר למרכז מחזור מוסמך.

הערכת התאמה בבריטניה

זרם ישיר

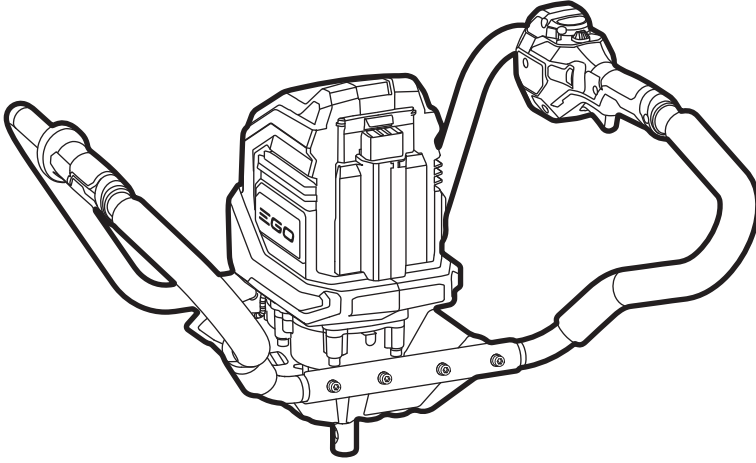
kg קילוגרם

V מתח

IPX4 הגנה מפני התזת מים

# EGO™

POWER<sup>+</sup> AUGER



**PHA7400E**

HE ראש חשמל למקדחה אלחוטי ליתיום-יון 56 וולט

AR رأس طاقة بريمة لاسلكي ببطارية ليثيوم-أيون 56 فولت

