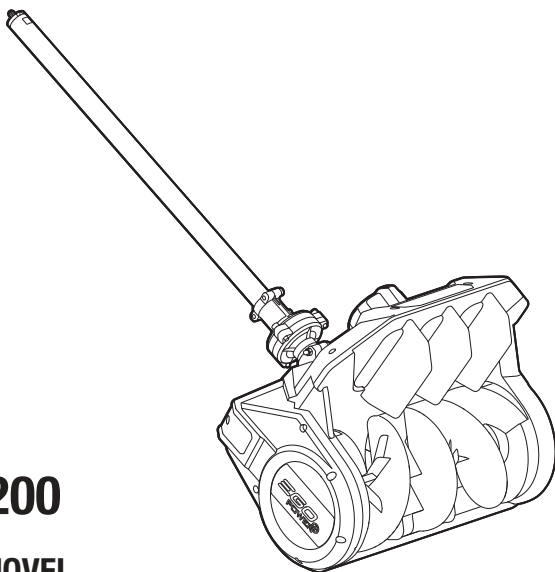




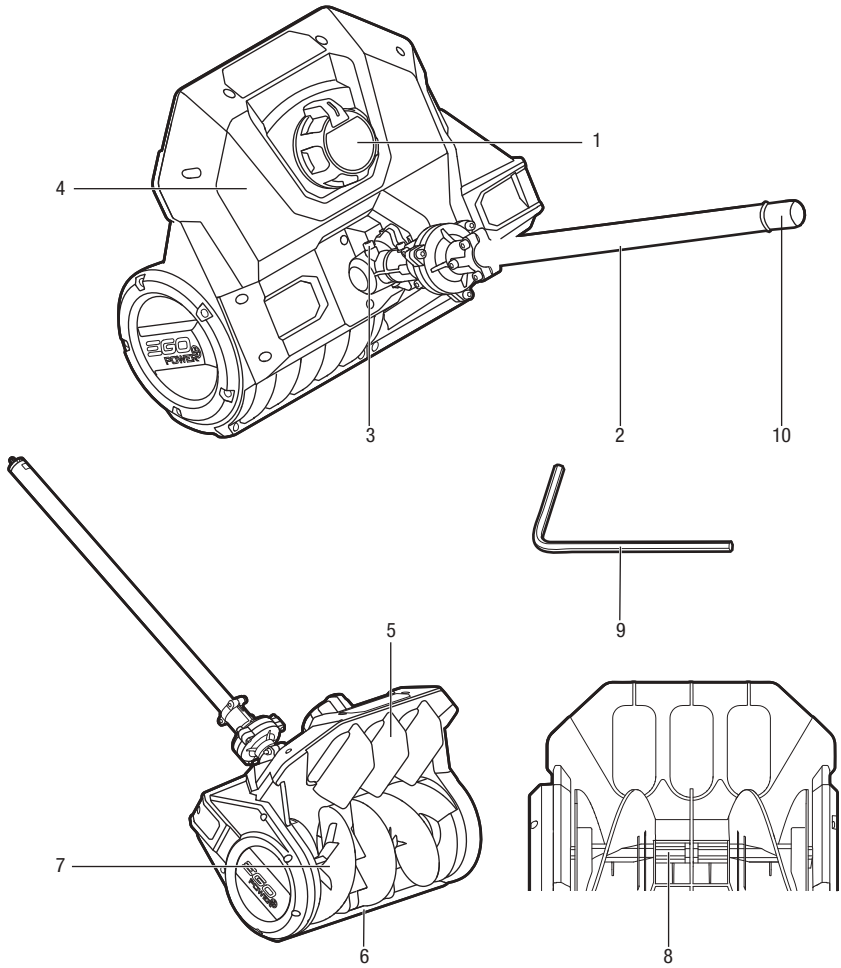
POWER⁺ SNOW SHOVEL ATTACHMENT



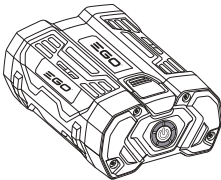
SSA1200

SNOW SHOVEL ATTACHMENT

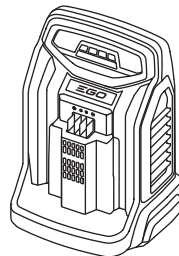
EN	Snow shovel attachment	4	RO	Lopată electrică de zăpada	138
DE	Schneefräsen-anbauwerkzeug	12	SL	Priřrditev snežne lopate	146
FR	Extension de pelle à neige	21	LT	Sniego kastuvo priedas	154
ES	Accesorio de pala de quitanieves	30	LV	Sniega lāpstas pierīce	162
PT	Accesório da pá para a neve	39	GR	Εξάρτημα φτυαριου χιονιου	170
IT	Accessorio spalaneve	47	TR	Kar küreme aparatı	179
NL	Sneeuwschuiverbevestiging	55	ET	Lumepuhuri tarvik	187
DK	Sneskovtilbehør	64	UK	Насадка-снігоприбич	195
SE	Snöskoveltillsats	72	BG	Приставка лопата за сняг	204
FI	Lumilapion kiinnitys	80	HR	Nastavak lopate za snijeg	213
NO	Snøspade tilbehør	88	KA	თოვლის ნიჭმის დანამატი	221
RU	Снегоборочная насадка	96	SR	Dodatak lopate za sneg	231
PL	Końcówka-odsnieżarka	105	BS	Priključak lopate za snijeg	239
CZ	Přídavná lopata na sníh	114	HE	צרופת את שלג	247
SK	Nadstavec na odhrňanie snehu	122	AR	ملحق مجرفة الثلج	255
HU	Hólapát tartozék	130			

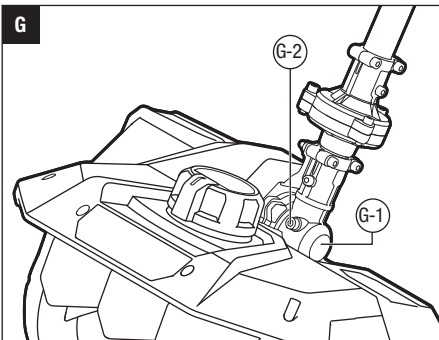
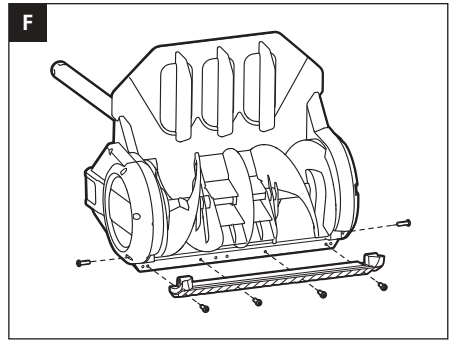
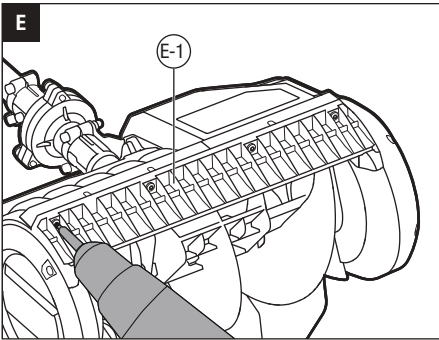
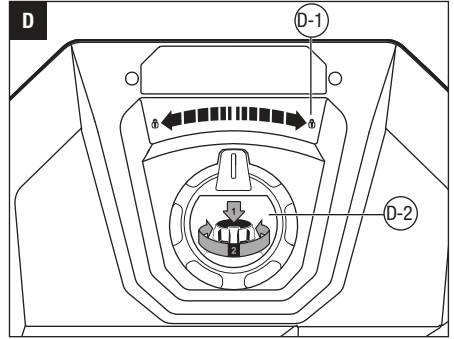
A**B**

BA1400, BA2800, BA4200, BA1400T,
BA2800T, BA4200T, BA5600T, BA2240T,
BA2242T, BA6720T



CH2100E, CH5500E





EN READ ALL INSTRUCTIONS



READ OPERATOR'S MANUAL

Read, understand and follow all instructions on the machine and in the manual(s) before operating this unit. Be thoroughly familiar with the controls and the proper use of the machine. Know how to stop the unit and disengage the controls quickly.

⚠ Residual risk! People with electronic devices, such as pacemakers, should consult their physician(s) before using this product. Operation of electrical equipment in close proximity to a heart pacemaker could cause interference or failure of the pacemaker.

⚠ WARNING: To ensure safety and reliability, all repairs and replacements should be performed by a qualified service technician.

SAFETY SYMBOLS

The purpose of safety symbols is to attract your attention to possible dangers. The safety symbols and the explanations with them deserve your careful attention and understanding. The symbol warnings do not, by themselves, eliminate any danger. The instructions and warnings they give are no substitutes for proper accident prevention measures.

⚠ WARNING: Be sure to read and understand all safety instructions in this Operator's Manual, including all safety alert symbols such as "**DANGER**", "**WARNING**", and "**CAUTION**" before using this tool. Failure to follow all instructions listed below may result in electric shock, fire, and/or serious personal injury.

SYMBOL MEANING

SAFETY ALERT SYMBOL: Indicates **DANGER**, **WARNING**, or **CAUTION**, may be used in conjunction with other symbols or pictographs.



⚠ WARNING: The operation of any power tools can result in foreign objects being thrown into your eyes, which can result in severe eye damage. Before beginning power tool operation, always wear safety goggles or safety glasses with side shields and a full face shield when needed. We recommend a Wide Vision Safety Mask for use over eyeglasses or standard safety glasses with side shields.

SAFETY INSTRUCTIONS

This page depicts and describes safety symbols that may appear on this product. Read, understand, and follow all instructions on the machine before attempting to assemble and operate it.



Precautions that involve your safety.



To reduce the risk of injury, user must read the operator's manual before using this product.



Always wear safety goggles or safety glasses with side shields and a full face shield when operating this product.



Do not use hands to unclog the chute.



Keep feet away from rotating impeller.



Do not use in the rain or leave outdoors while it is raining.



This product is in accordance with applicable EC directives.



This product is in accordance with applicable UK legislation.



Waste electrical products should not be disposed of with household waste. Take to an authorized recycler.

V Voltage

cm Centimeter

Direct Current

IPX4 Protection against ingress of water degree 4.

mm Millimeter

kg Kilogram

GENERAL POWER TOOL SAFETY WARNINGS

⚠ WARNING! Read all safety warnings, instructions, illustrations and specifications provided with this power tool. Failure to follow all instructions listed below may result in electric shock, fire and/or serious injury.

SAVE ALL WARNINGS AND INSTRUCTIONS FOR FUTURE REFERENCE.

The term "power tool" in the warnings refers to your mains-operated (corded) power tool or battery-operated (cordless) power tool.

WORK AREA SAFETY

- **Keep the work area clean and well lit.** Cluttered or dark areas invite accidents.
- **Do not operate power tools in explosive atmospheres, such as in the presence of flammable liquids, gases, or dust.** Power tools create sparks which may ignite the dust or fumes.
- **Keep children and bystanders away while operating a power tool.** Distractions can cause you to lose control.

PERSONAL SAFETY

- **Stay alert, watch what you are doing and use common sense when operating a power tool. Do not use a power tool while you are tired or under the influence of drugs, alcohol medication.** A moment of inattention while operating power tools may result in serious personal injury.
- **Use personal protective equipment. Always wear eye protection.** Protective equipment such as a dust mask, non-skid safety shoes, hard hat or hearing protection used for appropriate conditions will reduce personal injuries.
- **Prevent unintentional starting. Ensure the switch is in the off-position before connecting to power source and/or battery pack, picking up or carrying the tool.** Carrying power tools with your finger on the switch or energizing power tools that have the switch on invites accidents.

- **Remove any adjusting key or wrench before turning the power tool on.** A wrench or a key left attached to a rotating part of the power tool may result in personal injury.
- **Do not overreach. Keep proper footing and balance at all times.** This enables better control of the power tool in unexpected situations.
- **Dress properly. Do not wear loose clothing or jewellery. Keep your hair, clothing and gloves away from moving parts.** Loose clothes, jewelry or long hair can be caught in moving parts.
- **If devices are provided for the connection of dust extraction and collection facilities, ensure these are connected and properly used.** Use of dust devices can reduce dust-related hazards.
- **Do not let familiarity gained from frequent use of tools allow you to become complacent and ignore tool safety principles.** A careless action can cause severe injury within a fraction of a second.

POWER TOOL USE AND CARE

- **Do not force the power tool. Use the correct power tool for your application.** The correct power tool will do the job better and safer at the rate for which it was designed.
- **Do not use the power tool if the switch does not turn it on and off.** Any power tool that cannot be controlled with the switch is dangerous and must be repaired.
- **Remove the battery pack, if detachable, from the power tool and/or activate any battery disabling device before clearing jammed material, making any adjustments, changing accessories, cleaning, or storing power tools.** Such preventive safety measures reduce the risk of starting the power tool accidentally.
- **Store idle power tools out of the reach of children and do not allow persons unfamiliar with the power tool or these instructions to operate the power tool.** Power tools are dangerous in the hands of untrained users.

- **Maintain power tools and accessories. Check for misalignment or binding of moving parts, breakage of parts and any other condition that may affect the power tool's operation. If damaged, have the power tool repaired before use.** Many accidents are caused by poorly maintained power tools.
- **Keep cutting tools sharp and clean.** Properly maintained cutting tools with sharp cutting edges are less likely to bind and are easier to control.
- **Use the power tool, accessories and tool bits etc. in accordance with these instructions, taking into account the working conditions and the work to be performed.** Use of the power tool for operations different from those intended could result in a hazardous situation.
- **Keep handles and grasping surface dry, clean and free from oil and grease.** Slippery handles and grasping surfaces do not allow for safe handling and control of the tool in unexpected situations.
- **Keep cables away from the working area of the tool.** During operation cables may be hidden from view and can be accidentally damaged by the tool.

BATTERY TOOL USE AND CARE

- **Recharge only with the charger specified by the manufacturer.** A charger that is suitable for one type of battery pack may create a risk of fire when used with another battery pack.
- **Use power tools only with specifically designated battery packs.** Use of any other battery packs may create a risk of injury and fire.
- **When battery pack is not in use, keep it away from other metal objects, like paper clips, coins, keys, nails, screws or other small metal objects, that can make a connection from one terminal to another.** Shorting the battery terminals together may cause burns or a fire.
- **Under abusive conditions, liquid may be ejected from the battery; avoid contact. If contact accidentally occurs, flush with water. If liquid contacts eyes, additionally seek medical help.** Liquid ejected from the battery may cause irritation or burns.
- **Do not use a battery pack or tool that is damaged or modified.** Damaged or modified batteries may exhibit unpredictable behavior resulting in fire, explosion or risk of injury.
- **Do not expose a battery pack or tool to fire or excessive temperature.** Exposure to fire or temperature above 100°C may cause explosion.
- **Follow all charging instructions and do not charge the battery pack or tool outside the temperature range specified in the instructions.** Charging improperly or at temperatures outside the specified range may damage the battery and increase the risk of fire.

SERVICE

- **Have your power tool serviced by a qualified repair person using only identical replacement parts.** This will ensure that the safety of the power tool is maintained.
- **Never service damaged battery packs.** Service of battery packs should only be performed by the manufacturer or authorized service providers.

⚠ WARNING! Read all safety warnings, instructions, illustrations and specifications provided with this power tool. Failure to follow all instructions listed below may result in electric shock, fire and/or serious injury. Save all warnings and instructions for future reference.

Save all warnings and instructions for future reference.

TRAINING

- Read, understand and follow all instructions on the machine and in the manual(s) before operating this tool. Be thoroughly familiar with the controls and the proper use of the equipment. Know how to stop the tool and disengage the controls quickly.
- Never allow children to operate the equipment. Never allow adults to operate the equipment without proper instruction.
- Keep the area of operation clear of all persons, particularly small children.
- Exercise caution to avoid slipping or falling, especially when operating the snow shovel attachment in reverse.

PREPARATION

- Never operate the machine while people, especially children, or pets are nearby.
- Wear eye protection and stout shoes at all times while operating the machine.
- The distance between the machine and bystanders shall be at least 15 m.
- Never operate the machine while the operator is tired, ill or under the influence of alcohol or other drugs.
- Thoroughly inspect the area where the equipment is to be used and remove all doormats, sleds, boards, wires, and other foreign objects.
- Do not operate the equipment without wearing adequate winter garments. Avoid loose-fitting clothing that can get caught in moving parts. Wear footwear

that will improve footing on slippery surfaces.

- Always wear safety glasses or eye shields during operation or while performing an adjustment or repair to protect eyes from foreign objects that may be thrown from the machine.
- Use extension cords and receptacles as specified by the manufacturer for all units with electric starting motors.
- Never attempt any adjustment while the motor is running (except when specifically recommended by manufacturer).

OPERATION

- Do not put hands or feet near or under rotating parts. Keep clear of the discharger opening at all times.
- Exercise extreme caution when operating on or crossing gravel drives, walks, or roads. Stay alert for hidden hazards or traffic.
- After striking a foreign object, stop the motor, remove the battery pack, thoroughly inspect the snow shovel attachment for any damage, and repair the damage before restarting and operating the snow shovel attachment.
- If the unit should start to vibrate abnormally, stop the motor and check immediately for the cause. Vibration is generally a warning of trouble.
- Stop the motor whenever you leave the operating position, before unlogging the auger assembly housing, and when making any repairs, adjustments or inspections.
- Exercise extreme caution when operating on slopes.
- Never operate the snow shovel attachment without proper guards and other safety protective devices in place and working.
- Never direct the discharge toward people or areas where property damage can occur. Keep children and others away.
- Do not overload the machine capacity by attempting to clear snow at too fast a rate.
- Never operator the snow shovel attachment at high transport speeds on slippery surfaces. Look behind and use care when operating in reverse.
- Use only attachments and accessories approved by the manufacturer of the snow shovel attachment (such as the scraper bar).
- Never operate the snow shovel attachment without good visibility or light. Always be sure of your footing, and keep a firm hold on the handles. Walk; never run.

- Do not expose a battery pack or tool to fire or excessive temperature. Exposure to fire or temperature above 100°C may cause explosion.
- Use only with the battery packs and chargers listed in fig. B.

CLEARING A CLOGGING AUGER ASSEMBLY

Hand contact with the rotating auger assembly is the most common cause of injury associated with snow shovel attachment. Never use your hand to clean out the rotating auger assembly.

To clear the auger assembly:

- SHUT THE TOOL OFF!
- Remove the battery pack from the tool.
- Wait 10 seconds to be sure the auger has stopping rotating.
- Always use the auger clean tool which is attached to the machine as an accessory, do not use your hand.

MAINTENANCE AND STORAGE

- Check all bolts or fasteners at frequent intervals for proper tightness to be sure the equipment is in safe working condition.
- Always refer to operator's manual for important details if the snow shovel attachment is to be stored for an extended period.
- Maintain or replace safety and instruction labels, as necessary.
- Run the machine a few minutes to prevent freeze-up of the auger assembly.

SAVE THESE INSTRUCTIONS. Refer to them frequently and use them to instruct others who may use this tool. If you lend this tool to someone else, also lend these instructions to them to prevent misuse of the product and possibly injury.

EN SPECIFICATIONS

Rated Voltage	56 V	
No-load Speed	1420±10% rpm 1750±10% rpm	
Clearing Width	30 cm	
Throw distance	Up to 7.5 m	
Intake Height	15 cm	
Recommended Operating Temperature	-10-10°C	
Recommended Storage Temperature *For the appliance WITHOUT battery pack	-20-70°C	
Weight	5.2 kg	
Measured sound power level L_{WA}	98 dB(A) K=2.3 dB(A)	
Sound pressure level at operator's ear L_{PA}	90 dB(A) K=2.5 dB(A)	
Guaranteed sound power level L_{WA} (measured according to 2000/14/EC)	100 dB(A)	
Valuation of vibration $a_{h,v}$:	Front-assist handle	4.4 m/s ² K=1.5 m/s ²
	Rear handle	3.9 m/s ² K=1.5 m/s ²

- The above parameters are tested and measured equipped with power head PH1400E.
- The declared vibration total value has been measured in accordance with a standard test method and may be used for comparing one tool with another;
- The declared vibration total value may also be used in a preliminary assessment of exposure.

NOTICE: The vibration emission during actual use of the power tool can differ from the declared value in which the tool is used; In order to protect the operator, user should wear gloves and ear protectors in the actual conditions of use.

PACKING LIST(FIG. A)

DESCRIPTION

KNOW YOUR SNOW SHOVEL ATTACHMENT (Fig. A)

1. Deflector Adjust Knob
2. Shaft

3. Sealing Screw
4. Deck
5. Deflector
6. Scraper Bar
7. Auger
8. Auger Shaft
9. Hex Wrench
10. End Cap

ASSEMBLY

⚠ WARNING: If any parts are damaged or missing, do not operate this product until the parts are replaced. Use of this product with damaged or missing parts could result in serious personal injury.

⚠ WARNING: Do not attempt to modify this product or create accessories not recommended for use with this product. Any such alteration or modification is misuse and could result in a hazardous condition leading to possible serious personal injury.

UNPACKING

- Inspect the tool carefully to make sure that no breakage or damage occurred during shipping.
- Do not discard the packing material until you have carefully inspected and satisfactorily operated the tool.

CONNECTING THE SNOW SHOVEL ATTACHMENT TO THE POWER HEAD

This snow shovel attachment is designed for the use with EGO Power Head PH1400E.

See “**INSTALLING AN ATTACHMENT TO THE POWER HEAD**” section in the power head PH1400E operator's manual.

REMOVING THE ATTACHMENT FROM THE POWER HEAD

See “**REMOVING THE ATTACHMENT FROM THE POWER HEAD**” section in the power head PH1400E operator's manual.

OPERATION

⚠ WARNING: Do not allow familiarity with this product to make you careless. Remember that a careless fraction of a second is sufficient to inflict serious injury.

⚠ WARNING: Always wear safety goggles or safety glasses with side shields and a full face shield when operating this product. Failure to do so could result in objects being thrown into your eyes and other possible serious injuries.

APPLICATIONS

You may use this product for the purpose listed below:

- Cleaning small areas and light working conditions such as courtyards, walkways, and garages.

USING THE SNOW SHOVEL ATTACHMENT WITH POWER HEAD

⚠ WARNING: Never use snow shovel attachment on frozen lakes, rivers or similar surfaces. Death or serious injury could occur if the ice breaks.

⚠ WARNING: Never use the snow shovel attachment on a rooftop or other unstable surface, which can result in death or serious injury.

⚠ WARNING: Do not use the snow shovel attachment on ice, which can cause the operator to slip and fall, resulting in possibly serious personal injury.

⚠ WARNING: Do not wear loose clothing, scarves, or jewelry. They can be caught in moving parts and cause death or serious personal injury.

⚠ WARNING: Never point the snow shovel attachment in the direction of people or pets. Thrown snow or other objects can cause serious personal injury.

⚠ WARNING: Make sure that the area to be cleared is free of stones, sticks, wires, gravel, and other objects that could be accidentally thrown by the snow shovel attachment in any direction and cause serious personal injury to the operator and others.

When using the snow shovel attachment, hold the tool with a firm grip with both hands while in operation (Fig. C).

- Take notice of the direction of the wind before beginning. When possible, discharge snow in the same direction as the wind to prevent snow from being thrown back into your face.
- Some parts of the snow shovel attachment can freeze under extreme weather conditions. Do not attempt to operate the tool with frozen parts.
- If the tool contacts with any type of obstruction during operation, stop it and remove the battery pack. Check the tool carefully before using.

- If the snow is too thick and deeper than the clearing depth, it may take more than one pass to clear.

When finished, let the tool run for a few minutes to allow all snow to clear the auger before storing.

TO START/STOP THE TOOL

See “**STARTING/STOPPING THE POWER HEAD**” section in the power head PH1400E operator’s manual.

DEFLECTOR ADJUST KNOB (Fig. D)

The discharge direction of this snow shovel attachment can be changed by rotating the deflector adjust knob left, forward, or right.

The maximum adjusting range of the knob is 60° (30° to the left or right).

The knob will be locked when it is in the leftmost or rightmost position. Press the knob and rotate it in reverse to unlock it.

D-1	Lock Indicator
D-2	Deflector Adjust Knob

MAINTENANCE

GENERAL MAINTENANCE

Avoid using solvents when cleaning plastic parts. Most plastics are susceptible to damage from various types of commercial solvents and may be damaged by their use. Use clean cloths to remove dirt, dust, oil, grease, etc.

⚠ WARNING: When cleaning the snow shovel attachment, DO NOT immerse it in water or other liquids.

MOUNTING AND DETACHING THE SCRAPER BAR

1. Remove the battery pack from the power head.
2. Lay the snow shovel attachment on its side or any other convenient position for scraper bar service.
3. Remove the four screws in the front of the scraper bar, as well as the two screws at both ends. Use a screwdriver (not included) to unscrew them (Fig. E & F).

E-1	Scraper Bar
-----	-------------

4. Replace the worn scraper bar with a new one, if necessary.
5. To reassemble, insert a new scraper bar, with the six holes aligned, insert the six screws into the holes and secure them with a screwdriver (not included).

TRANSMISSION GEARS LUBRICATION

The transmission gears in the gear case need to be lubricated periodically with gear grease. Check the gear case grease level about every 50 hours of operation by removing the sealing screw on the side of the case.

If no grease can be seen on the sides of the gear, follow the steps below to fill with gear grease up to 3/4 capacity.

Do not completely fill the transmission gear case.

1. Position the attachment upright so that the sealing screw is facing upwards (Fig. G).

G-1	Gear Case
G-2	Sealing Screw

2. Use the multi-function wrench provided to loosen and remove the sealing screw.
3. Use a grease syringe (not included) to inject some grease into the screw hole; do not exceed 3/4 capacity.
4. Tighten the sealing screw after injection.

TRANSPORTING AND STORING

- Remove the battery pack from the tool.
- Clean the tool thoroughly before storing it.

Store the tool in a dry, well-ventilated area, locked-up or up high, out of the reach of children. Do not store the tool on or adjacent to fertilizers, gasoline, or other chemicals.

Protecting the environment



Do not dispose of electrical appliances as unsorted municipal waste, use separate collection facilities. Contact your local government for information regarding the collection systems available.

If electrical appliances are disposed of in landfills or dumps, hazardous substances can leak into the groundwater and get into the food chain, damaging your health and well-being.

TROUBLESHOOTING

PROBLEM	CAUSE	SOLUTION
The snow shovel fails to start.	<ul style="list-style-type: none"> ■ Depleted battery pack ■ The lock-off button or trigger switch was not used properly. ■ The battery is not fully inserted into the housing. 	<ul style="list-style-type: none"> ■ Charge the battery. ■ Follow section “STARTING/STOPPING THE POWER HEAD” in the manual for PH1400E. ■ Check if the battery is fully inserted into the housing.
The machine is obviously damaged.	<ul style="list-style-type: none"> ■ Abnormal damage during transportation or use. 	<ul style="list-style-type: none"> ■ Do not continue to use, send it to the designated repair center for repair.
The snow shovel leaves a thin layer.	<ul style="list-style-type: none"> ■ The scraper bar is worn. 	<ul style="list-style-type: none"> ■ Replace the scraper bar.
Unexpected shut-down at work	<ul style="list-style-type: none"> ■ Overloaded machine ■ The battery pack or the machine is overheated. 	<ul style="list-style-type: none"> ■ Reduce machine load intensity. ■ Cool down the battery pack or tool before working.

WARRANTY

EGO WARRANTY POLICY

Please visit the website egopowerplus.com for full terms and conditions of the EGO Warranty policy.

LESEN SIE ALLE ANWEISUNGEN

DE

LESEN SIE DIE BETRIEBSANLEITUNG

Vor der Inbetriebnahme müssen sämtliche Anweisungen am Gerät und in der Bedienungsanleitung gelesen und genau befolgt werden. Machen Sie sich sorgfältig mit den Bedienelementen und der richtigen Handhabung des Gerätes vertraut. Sie müssen wissen, wie sich das Gerät anhalten lässt und wie die Gerätesteuerung schnell deaktiviert werden kann.

⚠ Restrisiko! Menschen mit elektronischen Geräten, wie z.B. Herzschrittmachern, sollten ihren Arzt konsultieren, bevor sie dieses Gerät verwenden. Die Bedienung von Elektrogeräten in unmittelbarer Nähe zu Herzschrittmachern kann zu Interferenzen und Störungen des Schrittmachers führen.

⚠ WARNUNG: Um die Sicherheit und Zuverlässigkeit zu gewährleisten, sollten alle Reparaturen und der Austausch von Teilen nur von qualifizierten Servicetechnikern durchgeführt werden.

WARNSYMBOL

Der Zweck von Warnsymbolen besteht darin, Ihre Aufmerksamkeit auf mögliche Gefahren zu lenken. Die Warnsymbole und deren Erklärungen verdienen Ihre vollste Aufmerksamkeit und Beachtung. Durch die Warnsymbole allein sind die Gefahren noch nicht ausgeschaltet. Die Anweisungen und Warnhinweise stellen keinen Ersatz für angemessene Unfallverhütungsmaßnahmen dar.

⚠ WARNUNG: Vor der Benutzung des Geräts sollten Sie alle Sicherheitsanweisungen in dieser Bedienungsanleitung gelesen und verstanden haben. Das gilt auch für die Sicherheits- und Gefahrenzeichen wie „**VORSICHT**“, „**WARNUNG**“ und „**ACHTUNG**“. Die Nichtbeachtung aller aufgeführten Anweisungen kann zu Stromschlägen, Bränden und/oder schweren Verletzungen führen.

SYMBOLBEDEUTUNG

SICHERHEITSWARNSYMBOL: Weist auf **GEFAHR, WARNUNG ODER VORSICHT** hin, es kann zusammen mit anderen Symbolen oder Bildern verwendet werden.



⚠ WARNUNG: Beim Betrieb von Elektrowerkzeugen besteht die Gefahr, dass Fremdkörper in Ihre Augen geschleudert werden und Sie dadurch schwerwiegende Augenschäden davontragen. Tragen Sie immer eine Schutzbrille, wenn möglich mit Seitenschutz, oder, falls nötig, einen vollen Gesichtsschutz, bevor Sie Arbeiten mit dem Elektrowerkzeug verrichten. Wir empfehlen Ihnen, einen Gesichtsschutz über Ihrer eigenen Brille oder eine herkömmliche Schutzbrille mit Seitenschutz zu tragen.

SICHERHEITSHINWEISE

Auf dieser Seite werden die Warnsymbole vorgestellt und beschrieben, die sich unter Umständen an dem Gerät befinden. Alle Anweisungen am Gerät lesen und befolgen, bevor das Gerät montiert und in Betrieb gesetzt wird.



Vorsichtsmaßnahmen zu Ihrer Sicherheit.



Um das Verletzungsrisiko zu verringern, muss der Benutzer die Bedienungsanleitung vor der Verwendung des Gerätes gelesen haben.



Tragen Sie immer eine Schutzbrille, möglichst mit Seitenschutz, und einen vollständigen Gesichtsschutz, wenn Sie das Gerät bedienen.



Verstopfungen im Auswurf nicht mit den Händen entfernen.



Halten Sie die Füße von dem rotierenden Laufrad fern.



Dieses Produkt erfüllt die einschlägigen CE-Richtlinien.



Elektrische Altgeräte dürfen nicht im Hausmüll entsorgt werden. Bringen Sie das Gerät zu einem Wertstoffhof bzw. zu einer amtlichen Sammelstelle.

V Spannung

cm Zentimeter

≡ Gleichstrom



Nicht im Regen verwenden oder bei Regen im Freien lassen.



Dieses Produkt erfüllt die einschlägigen Vorschriften in GB.

IPX4 Schutzgrad 4 gegen das Eindringen von Wasser

mm Millimeter

kg Kilogramm

ALLGEMEINE SICHERHEITSHINWEISE ZU ELEKTROWERKZEUGEN

⚠️ WARNUNG! Lesen Sie alle Sicherheitshinweise, Anweisungen, Abbildungen und Spezifikationen, die diesem Elektrowerkzeug beiliegen. Die Nichtbeachtung der unten aufgeführten Anweisungen kann zu Stromschlägen, Bränden und/oder schweren Verletzungen führen.

BEWAHREN SIE ALLE WARNHINWEISE UND BEDIENUNGSANWEISUNGEN FÜR NACHSCHLAGEZWECKE AUF.

Unter den Begriff „Elektrowerkzeug“ in den Warnhinweisen fallen netzbetriebene (d. h. schnurgebundene) oder akkubetriebene (d.h. schnurlose) Elektrowerkzeuge.

SICHERHEIT IM ARBEITSBEREICH

- Halten Sie den Arbeitsbereich stets sauber und gut beleuchtet. Unaufgeräumte oder dunkle Bereiche können Unfälle provozieren.
- Verwenden Sie Elektrowerkzeuge nicht in explosionsgefährdeten Umgebungen wie z. B. in Gegenwart von entzündlichen Flüssigkeiten, Gasen oder Staub. Elektrowerkzeuge erzeugen Funken, die Staub oder Dämpfe entzünden können.
- Halten Sie Schaulustige und Kinder fern, während Sie das Elektrowerkzeug einsetzen. Ablenkungen können dazu führen, dass Sie die Kontrolle verlieren.

PERSONENSICHERHEIT

- Seien Sie wachsam, geben Sie darauf Acht, was Sie tun, und benutzen Sie Ihren gesunden Menschenverstand, wenn Sie ein Elektrowerkzeug verwenden. Betreiben Sie das Gerät nicht, wenn

Sie müde sind oder unter dem Einfluss von Drogen, Alkohol oder Medikamenten stehen. Ein Moment der Unachtsamkeit kann beim Gebrauch eines Elektrowerkzeugs zu ernsthaften Verletzungen führen.

- Tragen Sie eine persönliche Schutzausrüstung. Tragen Sie immer einen Augenschutz. Durch eine für die jeweiligen Bedingungen geeignete Schutzausrüstung wie etwa eine Staubschutzmaske, rutschfeste Schuhe, Helm oder Gehörschutz lässt sich die Verletzungsgefahr verringern.
- Ungewollten Anlauf verhindern. Vor dem Anschließen an eine Steckdose und/oder einen Akku und vor dem Aufnehmen oder Transportieren des Geräts immer kontrollieren, ob der Hauptschalter in ausgeschalteter Position ist. Unfälle sind vorprogrammiert, wenn Sie Elektrowerkzeuge mit einem Finger am Betriebsschalter tragen oder Elektrowerkzeuge mit eingeschaltetem Betriebsschalter an eine Steckdose anschließen.
- Entfernen Sie alle Einstellschlüssel oder Schraubenschlüssel, bevor Sie das Elektrowerkzeug einschalten. Ein Schraubenschlüssel oder ein Schlüssel, der noch an einem beweglichen Teil des Elektrowerkzeugs befestigt ist, kann Verletzungen hervorrufen.
- Nicht überstrecken. Achten Sie stets auf einen festen Stand und halten Sie das Gleichgewicht. Dies ermöglicht in unerwarteten Situationen eine bessere Kontrolle über das Elektrowerkzeug.
- Tragen Sie angemessene Kleidung. Tragen Sie keine weite Kleidung oder Schmuck. Halten Sie Ihr Haar, Ihre Kleidung und Handschuhe von den beweglichen Teilen fern. Weite Kleidung, Schmuck oder langes Haar können sich in den beweglichen Teilen verfangen.

- **Wenn Komponenten zum Anschluss an eine Absauganlage und an Auffangvorrichtungen mitgeliefert werden, achten Sie darauf, dass diese ordnungsgemäß befestigt und benutzt werden.**

Durch eine Staubabsaugvorrichtung lassen sich Gefahrenquellen durch Staub ausschalten.

- **Lassen Sie sich nicht durch die aufgrund häufiger Benutzung entstandene Vertrautheit mit Werkzeugen dazu verleiten, unachtsam zu werden und die für Werkzeuge geltenden Sicherheitsgrundsätze zu ignorieren.** Eine fahrlässige Handlung kann bereits im Bruchteil einer Sekunde zu schweren Verletzungen führen.

GEBRAUCH UND PFLEGE DES ELEKTROWERKZEUGS

- **Üben Sie keinen übermäßigen Druck auf das Elektrowerkzeug aus. Verwenden Sie ein geeignetes Elektrowerkzeug für die jeweiligen Arbeiten.** Durch das passende Elektrowerkzeug lassen sich die Arbeiten besser und sicherer in dem jeweils vorgesehenen Tempo erledigen.
- **Verwenden Sie das Elektrowerkzeug nicht, wenn es sich mit dem Schalter weder ein- noch ausschalten lässt.** Ein Elektrowerkzeug, das sich über den Schalter nicht betätigen lässt, ist gefährlich und muss repariert werden.
- **Entfernen Sie den Akku, sofern abnehmbar, von dem Elektrowerkzeug und/oder deaktivieren Sie den Akku mit eventuell vorhandenen Vorrichtungen, bevor Sie feststehendes Material entfernen, Einstellungen vornehmen, Zubehör auswechseln, das Elektrowerkzeug reinigen oder verstauen.** Solche vorsorglichen Sicherheitsmaßnahmen verringern die Gefahr, dass sich das Elektrowerkzeug unbeabsichtigt einschaltet.
- **Bewahren Sie nicht benutzte Elektrowerkzeuge außerhalb der Reichweite von Kindern auf und verbieten Sie Personen die Gerätebenutzung, die das Elektrowerkzeug oder diese Anweisungen nicht kennen.** In den Händen nicht eingewiesener Benutzer stellen Elektrowerkzeuge eine große Gefahr dar.
- **Warten Sie Elektrowerkzeuge und Zubehörteile. Achten Sie auf falsch ausgerichtete oder fest sitzende bewegliche Teile, Bruchstellen und sonstige Umstände, die die Funktion des Elektrowerkzeuges beeinträchtigen können. Lassen Sie beschädigte Elektrowerkzeuge reparieren, bevor Sie sie wieder einsetzen.** Viele Unfälle entstehen durch schlecht gewartete Elektrowerkzeuge.
- **Halten Sie Schneidwerkzeuge scharf und sauber.** Sachgemäß gewartete Schneidwerkzeuge mit scharfen Schneiden neigen weniger zum Festfahren und sind leichter zu kontrollieren.
- **Benutzen Sie das Elektrowerkzeug, Zubehör, Bits usw. gemäß diesen Anweisungen und berücksichtigen Sie dabei die Arbeitsbedingungen und die auszuführenden Arbeiten.** Die Verwendung des Elektrowerkzeugs für Aufgaben, die von seinem bestimmungsgemäßen Zweck abweichen, können zu gefährlichen Situationen führen.
- **Halten Sie die Griffe und Griffflächen trocken, sauber und frei von Öl und Fett.** Rutschige Griffe und Griffflächen beeinträchtigen die sichere Handhabung des Werkzeugs und führen in unerwarteten Situationen zum Verlust der Kontrolle über das Werkzeug.
- **Halten Sie Kabel vom Arbeitsbereich des Werkzeugs fern.** Kabel, die während der Arbeiten außerhalb des Sichtfeldes sind, können vom Werkzeug versehentlich beschädigt werden.

BENUTZUNG UND PFLEGE VON AKKUGERÄTEN

- **Laden Sie den Akku nur mit dem vom Hersteller vorgegebenen Ladegerät auf.** Ein Ladegerät, das für einen bestimmten Akkutyp geeignet ist, kann bei der Benutzung eines anderen Akkus zu einer Brandgefahr werden.
- **Benutzen Sie für die Elektrowerkzeuge nur die jeweils zugehörigen Akkus.** Durch die Verwendung anderer Akkus besteht Verletzungs- und Brandgefahr.
- **Wenn der Akku nicht benutzt wird, halten Sie ihn von anderen metallischen Gegenständen fern, wie etwa Büroklammern, Münzen, Schlüssel, Nägel, Schrauben oder anderen kleinen Metallgegenständen, die eine Verbindung zwischen den Polen herstellen können.** Das Kurzschließen der Pole kann Verbrennungen oder Brände verursachen.
- **Bei unsachgemäßer Anwendung kann Flüssigkeit aus dem Akku austreten; Kontakt vermeiden. Falls Sie versehentlich mit Akkusäure in Berührung gekommen sind, spülen Sie mit Wasser. Falls Akkusäure in die Augen geraten ist, suchen Sie zudem einen Arzt auf.** Aus dem Akku austretende Flüssigkeit kann Reizungen oder Verätzungen verursachen.
- **Benutzen Sie keinen Akku oder ein Werkzeug, das beschädigt oder umgebaut wurde.** Beschädigte oder umgebaute Akkus können sich unvorhergesehen verhalten, wodurch möglicherweise ein Brand, eine Explosion oder Verletzung verursacht wird.
- **Akkus oder Werkzeuge vor Feuer oder extremen Temperaturen schützen.** Feuer oder Temperaturen über 100°C können eine Explosion verursachen.
- **Befolgen Sie alle Ladeanweisungen und**

laden Sie den Akku oder das Werkzeug nicht außerhalb des Temperaturbereichs auf, der in der Anleitung angegebenen ist. Das unsachgemäße Aufladen oder Laden außerhalb des angegebenen Temperaturbereichs kann den Akku beschädigen und die Brandgefahr erhöhen.

REPARATUREN

- **Lassen Sie Ihr Elektrowerkzeug von einer qualifizierten Fachkraft und nur unter Verwendung baugleicher Ersatzteile reparieren.** Nur so kann für die Sicherheit des Elektrowerkzeugs gesorgt werden.
- **Reparieren Sie unter keinen Umständen beschädigte Akkus.** Akkus sollten ausschließlich vom Hersteller selbst oder einer autorisierten Reparaturwerkstatt repariert werden.

⚠ WARNUNG! Lesen Sie alle Sicherheitshinweise, Anweisungen, Abbildungen und Spezifikationen, die diesem Elektrowerkzeug beiliegen. Die Nichtbeachtung der unten aufgeführten Anweisungen kann zu Stromschlägen, Feuer und/oder schweren Verletzungen führen. Bewahren Sie alle Warn- und Bedienungshinweise für Nachschlagezwecke auf.

Bewahren Sie alle Warn- und Bedienungshinweise für Nachschlagezwecke auf.

UNTERWEISUNG

- Vor der Inbetriebnahme müssen sämtliche Anweisungen am Gerät und in der Bedienungsanleitung gelesen und genau befolgt werden. Machen Sie sich mit den Bedienelementen und der richtigen Handhabung des Gerätes vertraut. Sie müssen wissen, wie sich das Werkzeug anhalten lässt und wie die Gerätesteuerung schnell deaktiviert werden kann.
- **Verbieten Sie Kindern den Umgang mit dem Gerät.** Erlauben Sie Erwachsenen nie die Bedienung des Geräts ohne eine korrekte Unterweisung.
- Der Einsatzbereich des Geräts sollte immer frei von Personen gehalten werden, insbesondere von Kleinkindern.
- Geben Sie Acht, nicht auszurutschen oder zu stürzen, insbesondere dann, wenn das Schneefräsen-Anbauwerkzeug rückwärts eingesetzt wird.

VORBEREITUNG

- Setzen Sie das Gerät nie in Betrieb, solange sich noch Personen, insbesondere Kinder, oder Haustiere in der Nähe aufhalten.
- Tragen Sie immer einen Augenschutz und robustes

Schuhwerk, während Sie das Gerät benutzen.

- Zwischen dem Gerät und Passanten muss ein Sicherheitsabstand von mindestens 15 m eingehalten werden.
- Bei Müdigkeit, Krankheit oder unter Alkohol- oder Drogeneinfluss darf das Gerät auf keinen Fall in Betrieb gesetzt werden.
- Untersuchen Sie gründlich die Fläche, auf der Sie das Gerät einsetzen möchten, und entfernen Sie alle Fußmatten, Schlitten, Bretter, Drähte und sonstige Fremdkörper.
- Setzen Sie das Gerät erst ein, wenn Sie angemessene Winterkleidung angezogen haben. Vermeiden Sie lose sitzende Kleidung, die sich in den beweglichen Teilen verfangen kann. Tragen Sie ein Schuhwerk, das Ihnen einen besseren Stand und mehr Halt auf rutschigen Oberflächen gibt.
- Tragen Sie beim Betrieb, Einstellen oder Reparieren des Geräts immer eine Schutzbrille oder Augenschutz, damit Ihre Augen vor Fremdkörpern geschützt bleiben, die das Gerät unter Umständen ausstößt.
- Benutzen Sie bei allen Geräten mit elektrischem Anlasser Verlängerungskabel und Anschlussbuchsen, die der Hersteller für diesen Zweck vorgesehen hat.
- Nehmen Sie niemals Einstellungen bei laufendem Motor vor (es sei denn, dies wurde vom Hersteller empfohlen).

BETRIEB

- Reichen Sie mit den Händen oder Füßen nicht in die Nähe oder unter die rotierenden Teile. Halten Sie sich immer von der Auswurföffnung fern.
- Seien Sie extrem vorsichtig, wenn Sie das Gerät auf bzw. beim Überqueren von Kieswegen, Fußwegen oder Straßen einsetzen. Bleiben Sie auf der Hut vor verborgenen Gefahren oder Verkehr.
- Nach dem Anschlagen an einen Fremdkörper sollte der Motor ausgeschaltet, der Akku entnommen und das Schneefräsen-Anbauwerkzeug gründlich auf Beschädigungen untersucht werden. Vor dem erneuten Starten und Einsetzen des Schneefräsen-Anbauwerkzeugs müssen die Schäden repariert werden.

Falls das Gerät ungewöhnlich zu vibrieren beginnt, schalten Sie den Motor aus und suchen Sie sofort nach der Ursache. Vibrationen sind im Allgemeinen Warnsignale, die auf ein Problem hinweisen.

- Schalten Sie den Motor ab, sobald Sie die Bedienposition verlassen, bevor Sie das Frässhneckengehäuse von Fremdmaterial befreien oder wenn Sie Reparaturen, Einstellungen oder Überprüfungen durchführen.
- Seien Sie beim Betrieb an Böschungen besonders vorsichtig.
- Benutzen Sie das Schneefräsen-Anbauwerkzeug nie ohne zuvor geeignete Schutzvorrichtungen und andere Schutzelemente anzubringen, die voll einsatzfähig sind.
- Richten Sie den Auswurf nie auf Personen oder Flächen, durch die Sachschäden entstehen können. Halten Sie Kinder und andere Personen fern.
- Überlassen Sie das Gerät nicht, indem Sie versuchen, den Schnee in zu hohem Tempo zu räumen.
- Betreiben Sie das Schneefräsen-Anbauwerkzeug niemals mit hohen Transportgeschwindigkeiten auf rutschigem Untergrund. Beim Rückwärtsfahren immer nach hinten schauen und vorsichtig arbeiten.
- Verwenden Sie nur vom Hersteller des Schneefräsen-Anbauwerkzeugs zugelassene Aufsätze und Zubehörteile (wie z. B. den Abstreifer).
- Das Schneefräsen-Anbauwerkzeug darf nie eingesetzt werden, wenn die Sicht oder Beleuchtung mangelhaft sind. Achten Sie immer auf einen festen Stand und halten Sie die Griffbügel immer gut fest. Nie rennen, sondern gehen.
- Akkus oder Werkzeuge vor Feuer oder extremen Temperaturen schützen. Feuer oder Temperaturen über 100°C können eine Explosion verursachen.
- Nur die in Abb. B aufgeführten Akkus und Ladegeräte verwenden

REINIGEN EINER VERSTOPFTEN FRÄSSCHNECKE

Das Berühren der rotierenden Frässhneckeneinheit mit der Hand ist die häufigste Verletzungsursache im Zusammenhang mit dem Schneefräsen-Anbauwerkzeug. Reinigen Sie die rotierende Frässhneckeneinheit niemals mit der Hand.

So reinigen Sie die Frässhneckeneinheit:

- **SCHALTEN SIE DAS WERKZEUG AUS!**
- Nehmen Sie den Akku aus dem Gerät.
- 10 Sekunden warten, bis die Frässhnecke zum Stillstand ausgelaufen ist.
- Immer den Frässhneckenreiniger verwenden, der als Zubehör am Gerät angebracht ist. Nie die Hände dazu benutzen

WARTUNG UND LAGERUNG

- Schrauben und Befestigungsmittel regelmäßig auf festen Sitz prüfen, um sicher zu stellen, dass sich das Gerät in einem sicheren Betriebszustand befindet.
- Wenn das Schneefräsen-Anbauwerkzeug längere Zeit eingelagert werden soll, immer in der Betriebsanleitung alle wichtigen Einzelheiten nachlesen.
- Warn- und Bedienaufkleber müssen instand gehalten und ggf. ersetzt werden.
- Lassen Sie das Gerät einige Minuten laufen, um ein Festfrieren der Frässhneckeneinheit zu vermeiden.

DIESE ANLEITUNG AUFBEWAHREN. Schlagen Sie gegebenenfalls darin nach und verwenden Sie sie, um andere in die Verwendung des Geräts einzuweisen. Falls Sie dieses Werkzeug an Andere verleihen, händigen Sie ihnen auch diese Anleitung aus, um einem Missbrauch des Geräts und möglichen Verletzungen vorzubeugen.

TECHNISCHE DATEN

Nennspannung	56 V	
Leerlaufdrehzahl	1420±10% rpm 1750±10% rpm	
Räumbreite	30 cm	
Wurfweite	Bis zu 7,5 m	
Einlasshöhe	15 cm	
Empfohlene Betriebstemperatur	-10-10°C	
Empfohlene Lagertemperatur *Für das Gerät OHNE Akku	-20-70°C	
Gewicht	5,2 kg	
Gemessener Schalleistungspegel L_{WA}	98 dB(A) K=2,3 dB(A)	
Schalldruckpegel am Ohr des Bedieners L_{PA}	90 dB(A) K=2,5 dB(A)	
Garantierter Schalleistungspegel LWA (gemessen gemäß 2000/14/EC)	100 dB(A)	
Vibrationswert a_{h^*}	Vorderer Haltegriff	4,4 m/s ² K=1,5 m/s ²
	Hinterer Griff	3,9 m/s ² K=1,5 m/s ²

- Die obigen Kennwerte wurden an einem Kombimotor vom Typ PH1400E getestet und gemessen.

- Der angegebene Vibrationsgesamtwert wurde nach einem Standard-Prüfverfahren gemessen und kann zum Vergleich mit einem anderen Werkzeug herangezogen werden.
- Der angegebene Vibrationsgesamtwert kann auch zur vorläufigen Risikobewertung herangezogen werden.

HINWEIS: Die beim Einsatz des Elektrowerkzeugs entstehenden Istvibrationen können von dem angegebenen Wert abweichen. Zum Schutz des Benutzers sollten Handschuhe und ein Gehörschutz während des Geräteinsatzes getragen werden.

PACKLISTE (ABB. A)

BESCHREIBUNG

BESCHREIBUNG IHRES SCHNEEFÄSEN-ANBAUWERKZEUG (Abb. A)

1. Umlenker-Einstellknopf
2. Schaft
3. Verschlusschraube
4. Deck
5. Umlenker
6. Abstreifer
7. Frässchnecke
8. Frässchneckenwelle
9. Innensechskantschlüssel
10. Schutzkappe

MONTAGE

⚠️ WARNUNG: Wenn irgendwelche Teile beschädigt sind oder fehlen, verwenden Sie das Produkt nicht, bis alle Teile ersetzt worden sind. Die Verwendung dieses Produkts mit beschädigten oder fehlenden Teilen kann zu schweren Verletzungen führen.

⚠️ WARNUNG: Versuchen Sie nicht, dieses Produkt zu verändern oder Zubehörteile zu verwenden, die für den Einsatz mit dieser Bodenfräse nicht empfohlen werden. Jegliche Änderung oder falsche Anwendung dieses Geräts gilt als Zweckentfremdung und kann sehr riskant sein und zu möglichen schweren Körperverletzungen führen.

AUSPACKEN

- Inspizieren Sie das Gerät sorgfältig, um sicherzugehen, dass keine Bruchstellen oder Beschädigungen

während des Transports entstanden sind.

- Werfen Sie das Verpackungsmaterial nicht weg, bis Sie das Gerät sorgfältig inspiziert und ausreichend lange damit gearbeitet haben.

MONTAGE DES SCHNEEFÄSEN-ANBAUWERKZEUG AM KOMBIMOTOR

Dieses Schneefräsen-Anbauwerkzeug ist für die Verwendung mit dem EGO Power Head PH1400E konzipiert.

Siehe den Abschnitt „INSTALLATION EINES ANBAUWERKZEUGS AN DEN KOMBIMOTOR“ in der Betriebsanleitung des Kombimotors PH1400E.

ANBAUWERKZEUG VOM KOMBIMOTOR ABNEHMEN

Siehe den Abschnitt „ENTFERNEN EINES ANBAUWERKZEUGS VON DEM KOMBIMOTOR“ in der Betriebsanleitung des Kombimotors PH1400E.

BETRIEB

⚠️ WARNUNG: Auch wenn Sie sich mit dem Gerät auskennen, sollten Sie sich nicht zu einer gewissen Nachlässigkeit verleiten lassen. Denken Sie daran, dass ein kurzer Moment der Unachtsamkeit zu ernsthaften Verletzungen führen kann.

⚠️ WARNUNG: Tragen Sie immer eine Schutzbrille, möglichst mit Seitenschutz, und einen vollständigen Gesichtsschutz, wenn Sie das Gerät bedienen. Andernfalls besteht die Gefahr, dass Gegenstände in Ihre Augen geschleudert werden oder andere schwere Verletzungen verursacht werden.

ANWENDUNGEN

Das Produkt kann für folgende Zwecke eingesetzt werden:

- Reinigung kleiner Bereiche unter leichten Arbeitsbedingungen wie Höfe, Gehwege und Garagen.

VERWENDUNG DES SCHNEEFÄSEN-ANBAUWERKZEUGS MIT KOMBIMOTOR

⚠️ WARNUNG: Verwenden Sie das Schneefräsen-Anbauwerkzeug niemals auf zugefrorenen Seen, Flüssen oder ähnlichen Oberflächen. Wenn das Eis bricht, besteht Verletzungsgefahr mit Todesfolge.

⚠️ WARNUNG: Das Schneefräsen-Anbauwerkzeug nie auf einem Dach oder einer anderen instabilen Fläche einsetzen. Dabei besteht schwere Verletzungs- oder Todesgefahr.

⚠️ WARNUNG: Das Schneefräsen-Anbauwerkzeug nicht auf Eis einsetzen. Der Bediener kann darauf ausrutschen und stürzen. Dadurch besteht erhebliche Verletzungsgefahr.

⚠️ WARNUNG: Keine weite Kleidung, Schals oder Schmuck tragen. Es besteht Todes- oder schwere Verletzungsgefahr, wenn sich die Kleidungsstücke in rotierenden Teilen verfangen.

⚠️ WARNUNG: Das Schneefräsen-Anbauwerkzeug niemals auf Personen oder Haustiere richten. Ausgestoßener Schnee oder andere Gegenstände können schwere Verletzungen verursachen.

⚠️ WARNUNG: Darauf achten, dass die zu räumende Fläche frei von Steinen, Ästen, Leitungen, Kies und anderen Gegenständen ist, die von dem Schneefräsen-Anbauwerkzeug versehentlich in alle Richtungen herausgeschleudert werden und dadurch schwere Verletzungen beim Bediener und bei Anderen hervorrufen könnten.

Das Werkzeug bei Verwendung des Schneefräsen-Anbauwerkzeugs während des Betriebs mit beiden Händen gut festhalten (Abb. C).

- Vor Arbeitsbeginn die Windrichtung feststellen. Nach Möglichkeit den Schnee in die gleiche Richtung wie der Wind ausstoßen, damit der Schnee nicht in das eigene Gesicht zurückgeschleudert wird.
- Bei extremer Witterung können bestimmte Teile des Schneefräsen-Anbauwerkzeugs einfrieren. Nicht versuchen, das Werkzeug mit angefrorenen Teilen in Gang zu setzen.
- Wenn das Werkzeug während des Betriebs mit einem Hindernis in Kontakt kommt, das Werkzeug anhalten und den Akku entfernen. Das Werkzeug vor der Verwendung sorgfältig prüfen.
- Wenn der Schnee zu dick und tiefer als die Räumtiefe ist, kann die Räumung mehr als einen Durchgang erfordern.

Wenn Sie fertig sind, lassen Sie das Werkzeug einige Minuten laufen, um den gesamten Schnee vor der Lagerung von der Frässhnecke zu entfernen.

WERKZEUG STARTEN/STOPPEN

Siehe das Kapitel „**STARTEN/STOPPEN DES KOMBIMOTORS**“ in der Betriebsanleitung des Kombimotors PH1400E.

EINSTELLKNOPF DES UMLENKERS (Abb. D)

Die Auswurfrichtung dieses Schneefräsen-Anbauwerkzeugs kann durch Drehen des Umlenker-Einstellknopfes

nach links, vorne oder rechts geändert werden.

Der maximale Einstellbereich des Knopfes beträgt 60° (30° nach links oder rechts).

Der Knopf wird verriegelt, wenn er sich ganz links oder ganz rechts befindet. Drücken Sie den Knopf und drehen Sie ihn rückwärts, um ihn zu entriegeln.

D-1	Verriegelungsanzeige
D-2	Umlenker-Einstellknopf

WARTUNG

ALLGEMEINE WARTUNG

Zum Reinigen von Kunststoffteilen Lösungsmittel vermeiden. Die verschiedenen handelsüblichen Lösungsmittel greifen die meisten Kunststoffe an. Verwenden Sie saubere Lappen zum Entfernen von Schmutz, Staub, Öl, Fett usw.

⚠️ WARNUNG: Wenn Sie das Schneefräsen-Anbauwerkzeug reinigen, tauchen Sie dieses NICHT in Wasser oder andere Flüssigkeiten.

MONTAGE UND ABNEHMEN DES ABSTREIFERS

1. Nehmen Sie den Akkusatz vom Kombimotor ab.
2. Legen Sie das Schneefräsen-Anbauwerkzeug auf die Seite oder in eine andere bequeme Position für die Wartung des Abstreifers.
3. Entfernen Sie die vier Schrauben an der Vorderseite des Abstreifers sowie die beiden Schrauben an beiden Enden. Verwenden Sie zum Lösen einen Schraubendreher (nicht inbegriffen) (Abb. E u. F).

E-1	Abstreifer
-----	------------

4. Ersetzen Sie den gebrauchten Abstreifer ggf. durch einen neuen.
5. Zur Montage einen neuen Abstreifer einsetzen. Dabei die sechs Löcher aufeinander ausrichten. Die sechs Schrauben in die Löcher stecken und mit einem Schraubendreher (nicht inbegriffen) festziehen.

SCHMIERUNG DES GETRIEBES

Das Getriebe im Getriebegehäuse muss regelmäßig mit Getriebefett geschmiert werden. Entfernen Sie etwa alle 50 Betriebsstunden die Dichtungsschraube auf der Gehäuseseite und überprüfen Sie den Schmiermittelstand im Getriebegehäuse.

Ist auf den Seiten des Getriebes kein Fett zu sehen, füllen Sie das Getriebe gemäß untenstehenden Schritten zu 3/4 mit

Getriebefett.

Getriebegehäuse nicht vollständig befüllen.

1. Stellen Sie das Anbauwerkzeug aufrecht, so dass die Dichtungsschraube nach oben zeigt (Abb. G).

G-1	Getriebegehäuse
G-2	Verschlusschraube

2. Montieren Sie die Dichtungsschraube mit dem im Lieferumfang enthaltenen Multifunktionsschlüssel ab.
3. Füllen Sie in die Schraubenöffnung mit einer Fettpresse (nicht mitgeliefert) maximal 3/4 des Volumens an Getriebefett ein.
4. Ziehen Sie die Dichtungsschraube nach dem Auffüllen wieder fest.

TRANSPORT UND LAGERUNG

- Nehmen Sie den Akku aus dem Gerät.
- Reinigen Sie das Gerät gründlich, bevor Sie es verstauen.

Das Gerät an einem trockenen, gut belüfteten Ort aufbewahren, der sich abschließen lässt oder hoch gelegen und für Kinder unerreichbar ist. Das Werkzeug nicht auf oder neben Düngemittel, Benzin oder anderen Chemikalien abstellen.

Schutz der Umwelt



Entsorgen Sie elektrische Geräte nicht als unsortierten Restmüll, nutzen Sie separate Sammelstellen. Informationen über die vor Ort angebotenen Sammelstellen erteilt die zuständige Gemeindestelle.



Wenn elektrische Geräte auf Deponien oder Schutthalde entsorgt werden, können gefährliche Stoffe in das Grundwasser sickern und in die Nahrungskette gelangen. Dadurch werden Ihre Gesundheit und Ihr Wohlbefinden beeinträchtigt.

STÖRUNGSBEHEBUNG**DE**

PROBLEM	URSACHE	LÖSUNG
Die Schneefräse startet nicht.	<ul style="list-style-type: none">■ Akku ist leer■ Die Verriegelungstaste oder der Ein-/Ausschalter wurde nicht richtig verwendet.■ Der Akku ist nicht vollständig in das Gehäuse eingesetzt.	<ul style="list-style-type: none">■ Akku aufladen.■ Folgen Sie Abschnitt „STARTEN/STOPPEN DES KOMBIMOTORS“ im Handbuch für PH1400E.■ Prüfen Sie, ob der Akku vollständig in das Gehäuse eingesetzt ist.
Die Maschine ist offensichtlich beschädigt.	<ul style="list-style-type: none">■ Ungewöhnliche Schäden beim Transport oder Einsatz.	<ul style="list-style-type: none">■ Stellen Sie den Gebrauch ein, senden Sie das Gerät zur Reparatur an das angegebene Reparaturzentrum.
Die Schneefräse lässt eine dünne Schicht übrig.	<ul style="list-style-type: none">■ Der Abstreifer ist abgenutzt.	<ul style="list-style-type: none">■ Ersetzen Sie den Abstreifer
Unerwartete Abschaltung bei der Arbeit	<ul style="list-style-type: none">■ Überlastete Maschine■ Der Akku oder die Maschine ist überhitzt.	<ul style="list-style-type: none">■ Reduzieren Sie die Belastungsintensität der Maschine.■ Lassen Sie den Akku oder das Werkzeug vor der Arbeit abkühlen.

GARANTIE**EGO-GARANTIEBEDINGUNGEN**

Sämtliche EGO Garantiebedingungen finden Sie auf der Website egopowerplus.com.

LISEZ TOUTES LES INSTRUCTIONS



LISEZ LE MANUEL D'UTILISATION

FR

Vous devez lire, comprendre et suivre toutes les instructions présentes sur l'appareil et dans le(s) manuel(s) avant de l'utiliser. Familiarisez-vous avec les commandes et l'utilisation correcte de l'outil. Vous devez savoir comment éteindre l'unité et débrayer les commandes rapidement.

⚠ Risques résiduels ! Les personnes portant des appareils électroniques, par exemple des stimulateurs cardiaques, doivent consulter leur(s) médecin(s) avant d'utiliser ce produit. L'utilisation d'un équipement électrique près d'un stimulateur cardiaque peut provoquer des interférences ou la panne du stimulateur cardiaque.

⚠ AVERTISSEMENT : Pour garantir la sécurité et la fiabilité, toutes les réparations et tous les changements de pièce doivent être effectués par un réparateur qualifié.

SYMBOLES DE SÉCURITÉ

L'objectif des symboles de sécurité est d'attirer votre attention sur des dangers potentiels. Les symboles de sécurité et les explications les accompagnant doivent être lus attentivement et compris. Les symboles de mise en garde ne permettent pas par eux-mêmes d'éliminer les dangers. Les consignes et mises en garde ne se substituent pas à des mesures de prévention appropriées des accidents.

⚠ AVERTISSEMENT : Assurez-vous de lire et comprendre toutes les consignes de sécurité de ce manuel d'utilisation, y compris les symboles de mise en garde de sécurité tels que « **DANGER** », « **AVERTISSEMENT** » et « **ATTENTION** » avant d'utiliser cet outil. Le non-respect de toutes les instructions énumérées ci-dessous peut entraîner un choc électrique, un incendie et / ou des blessures graves.

SIGNIFICATION DES SYMBOLES

SYMBOLE DE MISE EN GARDE DE SÉCURITÉ : Indique un **DANGER**, un **AVERTISSEMENT** ou une **MISE EN GARDE**, peut être utilisé en conjonction avec d'autres symboles ou pictogrammes.



⚠ AVERTISSEMENT : L'utilisation d'un outil électrique peut provoquer la projection d'objets étrangers dans vos yeux, ce qui peut entraîner des lésions oculaires graves. Avant de commencer à utiliser l'outil électrique, portez toujours un masque de sécurité ou des lunettes de sécurité avec des protections latérales et une visière complète si nécessaire. Nous vous recommandons de porter un masque de sécurité à vision panoramique par-dessus des lunettes de vue ou des lunettes de sécurité standards avec des protections latérales.

CONSIGNES DE SÉCURITÉ

Cette page décrit des symboles de sécurité pouvant être présents sur ce produit. Lisez, comprenez et respectez toutes les instructions présentes sur l'outil avant d'essayer de l'assembler et de l'utiliser.



Précautions concernant votre sécurité.



Pour réduire le risque de blessures, l'utilisateur doit lire le manuel d'utilisation avant d'utiliser ce produit.



Portez toujours un masque de sécurité ou des lunettes de sécurité avec boucliers latéraux et un masque facial intégral lors de l'utilisation de ce produit.



N'utilisez pas vos mains pour déboucher la goulotte.



Gardez les pieds éloignés de la turbine en rotation.

FR



Ce produit est conforme aux directives CE applicables.



Les produits électriques usagés ne doivent pas être jetés avec les ordures ménagères. Apportez-les dans un centre de recyclage agréé.

V Tension

cm Centimètre

 Courant continu



N'utilisez pas ce produit sous la pluie et ne le laissez pas à l'extérieur quand il pleut.

UK
CA

Ce produit est conforme à la législation britannique applicable.

IPX4 Protection contre la pénétration d'eau de degré 4.

mm Millimètre

kg Kilogramme

CONSIGNES DE SÉCURITÉ GÉNÉRALES POUR L'OUTIL ÉLECTRIQUE

⚠ AVERTISSEMENT ! Lisez toutes les consignes de sécurité, les instructions, les illustrations et les spécifications de sécurité fournies avec cet outil électrique. Le non-respect des consignes figurant ci-dessous peut provoquer un choc électrique, un incendie et/ou des blessures graves.

CONSERVEZ TOUTES LES CONSIGNES DE SÉCURITÉ ET TOUTES LES INSTRUCTIONS POUR POUVOIR VOUS Y RÉFÉRER ULTÉRIEUREMENT.

Le terme « outil électrique » utilisé dans les consignes de sécurité désigne votre outil électrique fonctionnant sur le secteur (filaire) ou sur batterie (sans fil).

SÉCURITÉ DE L'AIRE DE TRAVAIL

- **Maintenez l'aire de travail propre et bien éclairée.** Les endroits sombres ou désordonnés augmentent les risques d'accident.
- **N'utilisez pas les outils électriques dans des atmosphères explosives, par exemple en présence de liquides, gaz ou poussières inflammables.** Les outils électriques génèrent des étincelles pouvant enflammer les poussières et les vapeurs.
- **Veillez à ce que les enfants et les autres personnes restent éloignés pendant l'utilisation d'un outil électrique.** Un moment d'inattention peut vous faire perdre le contrôle de l'outil.

SÉCURITÉ DES PERSONNES

- **Restez vigilant, soyez attentif à ce que vous faites et faites preuve de bon sens lors de l'utilisation d'un outil électrique. N'utilisez pas un outil électrique**

quand vous êtes fatigué ou sous l'emprise de l'alcool, de stupéfiants ou de médicaments. Un moment d'inattention pendant l'utilisation des outils électriques peut provoquer des blessures corporelles graves.

- **Utilisez des équipements de protection individuelle. Portez toujours une protection oculaire.** L'utilisation d'équipements de protection appropriés aux conditions de travail, tels qu'un masque anti-poussières, des chaussures de sécurité antidérapantes, un casque et des protections auditives, permet de réduire les risques de blessures corporelles.
- **Évitez les démarrages accidentels. Vérifiez que l'interrupteur marche/arrêt est dans la position arrêt avant de brancher l'outil dans une prise électrique et/ou une batterie, de le saisir ou de le transporter.** Porter les outils électriques avec le doigt sur leur interrupteur ou les brancher dans une alimentation électrique alors que leur interrupteur est dans la position marche augmente le risque d'accident.
- **Retirez toutes les clés de réglage et de serrage avant de mettre l'outil électrique en marche.** Une clé de réglage ou de serrage laissée sur une pièce rotative de l'outil électrique peut provoquer des blessures corporelles.
- **N'essayez pas de travailler des endroits difficiles à atteindre.** Conservez en permanence des appuis des pieds solides et un bon équilibre. Cela permet un meilleur contrôle de l'outil électrique en cas de situations inattendues.
- **Portez une tenue adaptée. Ne portez pas de vêtements amples ni de bijoux. Maintenez vos cheveux, vêtements et gants éloignés des pièces mobiles.** Les vêtements amples, les bijoux et les cheveux longs peuvent se prendre dans les pièces mobiles.

- **Si un outil est conçu pour être utilisé avec des dispositifs d'extraction et de récupération des poussières, veillez à ce que ces dispositifs soient raccordés et correctement utilisés.** L'utilisation de dispositifs anti-poussières permet de réduire les dangers liés aux poussières.
- **Veillez à ne pas devenir trop sûr(e) de vous et ne cessez pas de respecter les principes de sécurité même si vous vous sentez familiarisé(e) à l'utilisation de l'outil.** La négligence peut provoquer des blessures graves en une fraction de seconde.

UTILISATION ET ENTRETIEN DE L'OUTIL ÉLECTRIQUE

- **Ne forcez pas l'outil électrique. Utilisez l'outil électrique qui convient au travail que vous voulez effectuer.** L'utilisation d'un outil qui convient au travail à effectuer permet de réaliser ce travail plus efficacement, avec une sécurité accrue et au rythme pour lequel l'outil a été conçu.
- **N'utilisez pas l'outil électrique si son interrupteur marche/arrêt ne permet pas de l'allumer et de l'éteindre.** Tout outil électrique qui ne peut pas être contrôlé par son interrupteur marche/arrêt est dangereux et doit être réparé.
- **Retirez la batterie de l'outil électrique, si elle est amovible, et/ou activez tout dispositif de désactivation de la batterie avant de retirer de la matière coincée, de faire un réglage, de changer un accessoire, de nettoyer ou de ranger les outils électriques.** Cette mesure de sécurité préventive réduit le risque de démarrage accidentel de l'outil électrique.
- **Rangez les outils électriques non utilisés hors de portée des enfants. N'autorisez pas les personnes non familiarisées avec l'outil électrique ou ce manuel d'utilisation à l'utiliser.** Les outils électriques sont dangereux dans les mains de personnes inexpérimentées.
- **Entretenez les outils électriques et les accessoires. Inspectez-les pour vérifier qu'aucune pièce mobile n'est grippée ou mal alignée, qu'aucune pièce n'est cassée, et pour tout autre problème qui pourrait affecter leur fonctionnement. Si un outil électrique est endommagé, il doit être réparé avant d'être réutilisé.** Beaucoup d'accidents sont dus à des outils électriques mal entretenus.
- **Veillez à ce que les accessoires de coupe restent affûtés et propres.** Des accessoires de coupe bien entretenus et bien affûtés risquent moins de se coincer et sont plus faciles à contrôler.
- **Utilisez l'outil électrique, ses accessoires, mèches/embouts et toutes les autres pièces conformément**

aux présentes instructions, en prenant en compte les conditions d'utilisation et le travail à effectuer. Utiliser l'outil électrique à d'autres finalités que celles pour lesquelles il a été conçu peut engendrer des situations dangereuses.

- **Maintenez les poignées et surfaces de préhension propres, sèches et exemptes d'huile et de graisse.** Les poignées et surfaces de préhension glissantes ne permettent pas de tenir et de contrôler l'outil de manière sûre en cas de situations inattendues.
- **Maintenez les câbles/cordons électriques éloignés de la zone de travail de l'outil.** Pendant l'utilisation, les câbles/cordons électriques peuvent ne pas être visibles et risquent d'être accidentellement endommagés par l'outil.

UTILISATION ET ENTRETIEN DE L'OUTIL SUR BATTERIE

- **Rechargez la batterie exclusivement avec le chargeur spécifié par le fabricant.** Un chargeur adapté à un type de batterie en particulier peut présenter un risque d'incendie s'il est utilisé avec une batterie différente.
- **Utilisez les outils électriques exclusivement avec les batteries spécifiées.** L'utilisation de toute autre batterie peut créer un risque de blessures et d'incendie.
- **Lorsque la batterie n'est pas utilisée, elle doit être rangée à l'écart de tout objet métallique, tel que les trombones, pièces de monnaie, clés, clous, vis et tous les autres petits objets métalliques pouvant mettre en contact ses bornes.** Mettre en court-circuit les bornes de la batterie peut provoquer des brûlures et un incendie.
- **Si la batterie est soumise à des conditions d'utilisation excessives, du liquide peut s'en échapper. Évitez tout contact avec ce liquide. En cas de contact accidentel, rincez à grande eau. En cas de contact avec les yeux, vous devez en outre consulter un médecin.** Le liquide qui s'échappe des batteries peut provoquer des irritations et des brûlures.
- **N'utilisez pas une batterie ou un outil endommagé ou modifié.** Les batteries modifiées ou endommagées peuvent avoir un comportement imprévisible provoquant un incendie, une explosion ou un risque de blessure.
- **N'exposez pas la batterie ou l'outil à des flammes ou à une température excessive.** L'exposition au feu ou à des températures supérieures à 100°C peut provoquer une explosion.

- **Respectez toutes les instructions de recharge et ne rechargez pas la batterie ou l'outil hors de la plage de température spécifiée dans les instructions.** La recharge incorrecte ou à des températures hors de la plage spécifiée peut endommager la batterie et accroître le risque d'incendie.

RÉPARATION

- **Faites réparer votre outil électrique par un réparateur qualifié qui ne doit utiliser que des pièces de rechange identiques.** Ceci permet de garantir la sûreté de l'outil électrique.
- **Ne réparez jamais les batteries endommagées.** La réparation des batteries doit toujours être effectuée par le fabricant ou des réparateurs agréés.

⚠ AVERTISSEMENT ! Lisez toutes les consignes de sécurité, les instructions, les illustrations et les spécifications de sécurité fournies avec cet outil électrique. Le non-respect des consignes figurant ci-dessous peut provoquer un choc électrique, un incendie et/ou des blessures graves. Conservez tous les consignes de sécurité et toutes les instructions pour consultation ultérieure.

Conservez tous les consignes de sécurité et toutes les instructions pour consultation ultérieure.

FORMATION

- Vous devez lire, comprendre et suivre toutes les instructions présentes sur l'appareil et dans le(s) manuel(s) avant de l'utiliser. Familiarisez-vous avec les commandes et l'utilisation correcte de l'outil. Vous devez savoir comment éteindre l'outil et débrayer les commandes rapidement.
- Ne laissez jamais les enfants utiliser l'outil. Ne laissez jamais des adultes utiliser l'outil sans qu'ils n'aient reçu les consignes appropriées.
- Veillez à ce que toute autre personne soit tenue à l'écart de la zone d'utilisation, en particulier les jeunes enfants.
- Faites preuve de prudence pour éviter de glisser ou de tomber, notamment lorsque vous utilisez l'extension de pelle à neige en marche arrière.

PRÉPARATION

- N'utilisez jamais l'outil si des personnes, notamment des enfants ou des animaux de compagnie, sont à proximité.
- Portez en permanence des protections oculaires et des chaussures robustes pendant l'utilisation de l'outil.
- La distance entre la machine et les passants doit être d'au moins 15 m.

- N'utilisez jamais la machine lorsque l'opérateur est fatigué, malade ou sous l'influence de l'alcool ou de médicaments.
- Inspectez minutieusement la zone où l'outil doit être utilisé et retirez-en les paillassons, luges, planches, câbles et autres objets étrangers.
- N'utilisez pas la machine sans porter une tenue d'hiver adaptée. Evitez de porter des vêtements amples qui pourraient se prendre dans des pièces mobiles. Portez des chaussures permettant d'améliorer vos appuis sur les surfaces glissantes.
- Portez toujours des lunettes de sécurité ou un masque de sécurité pendant l'utilisation et pendant tout réglage ou réparation afin de protéger vos yeux contre les corps étrangers qui pourraient être projetés par la machine.
- Utilisez des rallonges et des récipients tel qu'indiqué par le fabricant pour toutes les machines à moteurs électriques.
- N'essayez jamais d'effectuer un réglage lorsque le moteur tourne (sauf si cela est recommandé par le fabricant).

FONCTIONNEMENT

- Ne placez jamais vos mains ni vos pieds à proximité ou en-dessous des parties rotatives. Ne vous placez jamais devant la bouche d'éjection.
- Faites preuve d'une grande prudence lorsque vous utilisez la machine ou que vous traversez des allées, des chemins ou des routes recouverts de graviers. Restez vigilant(e) à l'égard des dangers cachés et de la circulation.
- Si vous heurtez un objet étranger, coupez le moteur, retirez la batterie, vérifiez soigneusement que l'extension de pelle à neige n'est pas endommagée et réparez les dommages éventuels avant de la remettre en marche et de l'utiliser.
- Si l'outil se met à vibrer anormalement, coupez le moteur et cherchez-en immédiatement la cause. Les vibrations indiquent généralement qu'il y a un problème.
- Arrêtez le moteur lorsque vous quittez votre poste, avant de nettoyer le tარიère et lorsque vous effectuez des réparations, des réglages ou des inspections.
- Faites extrêmement attention lorsque vous utilisez la machine sur une pente.
- N'utilisez jamais l'extension de pelle à neige sans que les capots de protection et les autres dispositifs de sécurité ne soient en place et fonctionnels.

- N'orientez jamais la neige rejetée en direction des personnes ou des zones où des biens matériels pourraient être endommagés. Maintenez les enfants et toute autre personne à l'écart.
- Ne dépassez pas les capacités de la machine en essayant d'enlever la neige trop rapidement.
- N'utilisez jamais l'extension de pelle à neige à des vitesses élevées sur des surfaces glissantes. Regardez derrière vous et faites attention lorsque vous reculez.
- N'utilisez que des extensions et des accessoires approuvés par le fabricant de l'extension pelle à neige (comme la barre de raclage).
- N'utilisez jamais l'extension pelle à neige sans une bonne visibilité ou un bon éclairage. Veillez à toujours maintenir votre équilibre et tenez fermement les poignées de commande. Marchez, ne courez jamais.
- N'exposez pas la batterie ou l'outil à des flammes ou à une température excessive. L'exposition au feu ou à des températures supérieures à 100°C peut provoquer une explosion.
- Utilisez uniquement les batteries et les chargeurs listés au schéma B.

NETTOYAGE DE LA TARIÈRE

Le contact des mains avec la tarière rotative est la cause la plus courante de blessures associées à l'extension de pelle à neige. N'utilisez jamais votre main pour nettoyer la tarière rotative.

Pour nettoyer la tarière :

- **COUPEZ LE MOTEUR DE L'OUTIL !**
- Retirez la batterie de l'outil.
- Patientez 10 secondes pour vous assurer que le rotor a cessé de tourner.
- Utilisez toujours l'outil de nettoyage de tarière fourni avec la machine, n'utilisez pas vos mains.

ENTRETIEN ET RANGEMENT

- Vérifiez les boulons et les autres fixations à des intervalles réguliers afin de vous assurer qu'ils sont bien serrés et que la machine peut être utilisée en toute sécurité.
- Référez-vous toujours au mode d'emploi et suivez les consignes qui y sont indiquées si la pelle à neige doit être stockée pendant une période prolongée.
- Conservez ou remplacez les étiquettes des consignes de sécurité si nécessaire.
- Faites fonctionner la machine quelques minutes pour éviter le gel du rotor.

CONSERVEZ CES INSTRUCTIONS Consultez-la fréquemment et servez-vous-en pour instruire les autres personnes devant utiliser cet outil. Si vous prêtez cet appareil à quelqu'un, prêtez-lui également ces instructions afin de prévenir une utilisation inadéquate du produit et des blessures potentielles.

SPÉCIFICATIONS

Tension nominale	56 V	
Régime à vide	1420±10% tr/min 1750±10% tr/min	
Largeur de déblaiement	30 cm	
Distance de projection	Jusqu'à 7,5 m	
Hauteur de ramassage	15 cm	
Température d'utilisation recommandée	-10-10°C	
Température de stockage recommandée	-20-70°C	
	*Pour l'appareil SANS la batterie	
Poids	5,2 kg	
Niveau de puissance acoustique mesuré L_{WA}	98 dB(A) K=2,3 dB(A)	
Niveau de pression acoustique au niveau des oreilles de l'opérateur L_{PA}	90 dB(A) K=2,5 dB(A)	
Niveau de puissance acoustique garanti L_{WA} (mesuré selon 2000/14/EC)	100 dB(A)	
Niveau de vibration a_n :	Poignée de manœuvre avant	4,4 m/s ² K=1,5 m/s ²
	Poignée arrière	3,9 m/s ² K=1,5 m/s ²

- Les paramètres ci-dessus ont été testés et mesurés avec le bloc moteur PH1400E.
- La valeur totale des vibrations indiquée a été mesurée selon une procédure conforme à une méthode de test standardisée et peut servir pour comparer différents outils.
- La valeur totale des vibrations déclarée peut également servir pour effectuer une évaluation préliminaire de l'exposition.

REMARQUE : Le niveau de vibrations lors de l'utilisation réelle de l'outil peut être différent de la valeur déclarée totale en fonction de la manière dont l'outil est utilisé ; Afin de protéger l'opérateur, l'utilisateur doit porter des gants et des protecteurs d'oreilles en conditions réelles d'utilisation.

CONTENU DE L'EMBALLAGE (IMAGE A)

DESCRIPTION

DESCRIPTION DE VOTRE EXTENSION PELLE À NEIGE (Fig. A)

1. Bouton de réglage du déflecteur
2. Manche
3. Vis d'étanchéité
4. Plateau
5. Déflecteur
6. Barre de raclage
7. Tarière
8. Axe de tarière
9. Clé à six pans
10. Embout

ASSEMBLAGE

⚠ AVERTISSEMENT : Si une ou plusieurs pièces sont manquantes ou endommagées, n'utilisez pas cet outil tant que toutes les pièces n'ont pas été remplacées. Utiliser cet outil avec des pièces endommagées ou manquantes peut provoquer des blessures corporelles graves.

⚠ AVERTISSEMENT : N'essayez pas de modifier ce produit ni de créer des accessoires non recommandés pour être utilisés avec ce produit. De tels modifications et changements constituent un usage impropre et peuvent engendrer des situations dangereuses pouvant provoquer des blessures corporelles graves.

DÉBALLAGE

- Inspectez soigneusement l'outil pour vous assurer qu'aucune de ses pièces n'a été endommagée ou cassée pendant son transport.
- Ne jetez pas les éléments d'emballage tant que vous n'avez pas soigneusement inspecté l'outil et que vous ne l'avez pas utilisé de manière satisfaisante.

RACCORDÉMENT DE L'EXTENSION PELLE À NEIGE AU BLOC-MOTEUR

Cette extension de pelle à neige est conçue pour être utilisée avec le bloc-moteur EGO Power Head PH1400E.

Consultez la partie « **MONTAGE D'UNE EXTENSION SUR LE BLOC-MOTEUR** » du manuel d'utilisation du bloc-moteur PH1400E.

RETRAIT DE L'EXTENSION DU BLOC MOTEUR

Consultez la partie « **RETRAIT D'UNE EXTENSION DU BLOC-MOTEUR** » du manuel d'utilisation du bloc-moteur PH1400E.

FONCTIONNEMENT

⚠ AVERTISSEMENT : Veillez à ne pas devenir moins prudent(e) au fur et à mesure que vous vous familiarisez avec cet outil. Gardez à l'esprit qu'une fraction de seconde d'inattention peut suffire pour provoquer des blessures graves.

⚠ AVERTISSEMENT : Portez toujours un masque de sécurité ou des lunettes de sécurité avec boucliers latéraux et un masque facial complet lors de l'utilisation de ce produit. Sans protection, des objets peuvent être projetés dans vos yeux et d'autres blessures graves peuvent se produire.

APPLICATIONS

Vous pouvez utiliser ce produit aux finalités suivantes :

- Nettoyage de petites zones telles que des cours, allées et garages dans des conditions de travail non intensives.

UTILISATION DE L'EXTENSION PELLE À NEIGE AVEC BLOC-MOTEUR

⚠ AVERTISSEMENT : N'utilisez jamais l'extension de pelle à neige sur des lacs, des rivières ou des surfaces similaires gelées. Il existe un risque de blessures graves ou de mort si la glace cède.

⚠ AVERTISSEMENT : N'utilisez jamais l'extension pelle à neige sur un toit ou toute autre surface inégale : il existe un risque de mort ou de blessures graves.

⚠ AVERTISSEMENT : N'utilisez pas l'extension pelle à neige sur de la glace, l'opérateur pourrait glisser et tomber, ce qui pourrait entraîner des blessures graves.

⚠ AVERTISSEMENT : Ne portez pas de vêtements amples, d'écharpes, ni de bijoux. Ils pourraient rester accrochés dans des pièces mobiles et entraîner la mort ou des blessures graves.

⚠ AVERTISSEMENT : Ne dirigez jamais la pelle à neige en direction de personnes ou d'animaux domestiques. La neige projetée ou d'autres débris peuvent causer des blessures graves.

⚠ AVERTISSEMENT : Veillez à ce que la surface à déblayer soit dépourvue de pierres, bâtons, câbles, graviers et autres objets qui pourraient être accidentellement projetés par la pelle à neige dans n'importe quelle direction et entraîner des blessures graves pour l'opérateur et d'autres personnes.

Lorsque vous utilisez l'extension de pelle à neige, tenez l'outil fermement avec les deux mains pendant le fonctionnement (Fig. C).

- Faites attention à la direction du vent avant de commencer à déblayer. Lorsque cela est possible, éjectez la neige dans la même direction que celle du vent afin que la neige ne vous retombe pas dessus.
- Certaines parties de la pelle à neige peuvent geler dans des conditions météorologiques extrêmes. N'essayez pas de faire fonctionner la machine si certaines de ses pièces sont gelées.
- Si l'outil entre en contact avec un obstacle pendant le fonctionnement, arrêtez-le et retirez la batterie. Vérifiez soigneusement l'outil avant de l'utiliser.
- Si la neige est trop épaisse et plus profonde que la profondeur de déneigement, il faudra peut-être plus d'un passage pour la dégager.

Une fois terminé, laissez l'outil fonctionner pendant quelques minutes pour permettre à toute la neige de se dégager de la tarière avant de le ranger.

DÉMARRAGE / ARRÊT DE L'OUTIL

Consultez la partie « **DÉMARRAGE / ARRÊT DU BLOC MOTEUR** » du manuel d'utilisation du bloc moteur PH1400E.

BOUTON DE RÉGLAGE DU DÉFLECTEUR (Fig. D)

La direction d'éjection de cette pelle à neige peut être modifiée en tournant le bouton de réglage du déflecteur vers la gauche, le milieu ou la droite.

La plage de réglage maximale du bouton est de 60° (30° vers la gauche ou la droite).

Le bouton sera verrouillé lorsqu'il est dans la position la plus à gauche ou la plus à droite. Appuyez sur le bouton et tournez-le dans le sens inverse pour le déverrouiller.

D-1	Indicateur de verrouillage
D-2	Bouton de réglage du déflecteur

ENTRETIEN

ENTRETIEN GÉNÉRAL

N'utilisez pas de solvant pour nettoyer les pièces en plastique. La plupart des plastiques peuvent être détériorés par de nombreux types de solvants vendus dans le commerce. Utilisez des chiffons propres pour enlever les saletés, les poussières, l'huile, la graisse, etc.

⚠ AVERTISSEMENT : Lors du nettoyage de l'extension pelle à neige, ne l'immergez PAS dans l'eau ni dans tout autre liquide.

MONTAGE ET RETRAIT DE LA BARRE DE RACLAGE

1. Retirez la batterie du bloc moteur.
2. Posez la pelle à neige sur le côté ou dans toute autre position pratique pour effectuer l'entretien de la barre de raclage.
3. Retirez les quatre vis à l'avant de la barre de raclage, ainsi que les deux vis aux deux extrémités. Utilisez un tournevis (non inclus) pour les dévisser (Fig. E & F).

E-1	Barre de raclage
-----	------------------

4. Remplacez la barre de raclage usée par une barre neuve, si nécessaire.
5. Pour le remontage, insérez une nouvelle barre de raclage, avec les six trous alignés, insérez les six vis dans les trous et serrez-les avec un tournevis (non inclus).

LUBRIFICATION DES ENGRENAGES DE TRANSMISSION

Les engrenages de transmission dans le boîtier d'engrenage doivent être lubrifiés régulièrement avec de la graisse à engrenage. Contrôlez le niveau de graisse dans le boîtier d'engrenage toutes les 50 h d'utilisation en retirant la vis d'étanchéité sur le côté du boîtier.

Si vous ne voyez pas de graisse sur les flancs des engrenages, procédez comme suit pour remplir le boîtier de graisse jusqu'au 3/4 de sa capacité.

Ne remplissez pas complètement le boîtier d'engrenages de transmission.

1. Positionnez la pelle à neige à la verticale de manière à ce que la vis d'étanchéité soit tournée vers le haut (Fig. G).

G-1	Boîtier d'engrenage
G-2	Vis d'étanchéité

2. Utilisez la clé multifonction fournie pour desserrer et retirer la vis d'étanchéité.
3. Avec une seringue à graisse (non fournie), injectez de la graisse dans le trou de vis sans dépasser les 3/4 de la capacité.
4. Revissez complètement la vis d'étanchéité après l'injection.

TRANSPORT ET RANGEMENT

- Retirez la batterie de l'outil.
- Nettoyez soigneusement et intégralement l'appareil avant de le ranger.

Rangez l'outil dans un endroit sec, bien aéré, fermé à clé ou en hauteur, et hors de portée des enfants. Ne rangez pas l'outil sur ou à côté d'engrais, d'essence ou d'autres substances chimiques.

Protection de l'environnement



Ne jetez pas les appareils électriques avec les déchets ménagers non triés, déposez-les dans des centres de collecte spécifiques. Contactez votre mairie pour en savoir plus sur les systèmes de collecte disponibles.

Si les appareils électriques sont jetés dans des décharges ou des dépôts d'ordures, des substances dangereuses peuvent se répandre dans la nappe phréatique et rentrer dans la chaîne alimentaire, ce qui est néfaste pour votre santé et votre bien-être.

GUIDE DE DÉPANNAGE

FR

PROBLÈME	CAUSE	SOLUTION
La pelle à neige ne démarre pas.	<ul style="list-style-type: none"> ■ Batterie vide ■ Le bouton de déverrouillage ou la gâchette n'a pas été utilisée correctement. ■ La batterie n'est pas complètement insérée dans le boîtier. 	<ul style="list-style-type: none"> ■ Rechargez la batterie. ■ Consultez la partie « DÉMARRAGE/ARRÊT DU BLOC-MOTEUR » dans le manuel du bloc-moteur PH1400E. ■ Vérifiez si la batterie est complètement insérée dans le boîtier.
La machine est visiblement endommagée.	<ul style="list-style-type: none"> ■ Un dommage s'est produit lors du transport ou de l'utilisation. 	<ul style="list-style-type: none"> ■ Ne continuez pas à utiliser l'outil, rappez-le auprès d'un centre de réparation agréé pour réparation.
La pelle à neige laisse une fine couche de neige.	<ul style="list-style-type: none"> ■ La barre de raclage est usée. 	<ul style="list-style-type: none"> ■ Remplacez la barre de raclage.
Arrêt inattendu lors du fonctionnement	<ul style="list-style-type: none"> ■ Machine surchargée ■ La batterie ou la machine est surchauffée. 	<ul style="list-style-type: none"> ■ Réduisez l'intensité avec laquelle la machine est utilisée. ■ Refroidissez la batterie ou l'outil avant de travailler.

GARANTIE

POLITIQUE DE GARANTIE EGO

Visitez le site Web egopowerplus.com pour consulter l'intégralité des conditions de la politique de garantie EGO.

LEA TODAS LAS INSTRUCCIONES



LEA EL MANUAL DEL USUARIO

ES Lea, comprenda y siga todas las instrucciones que se indican en la herramienta y en el/los manual/es antes de utilizar este aparato. Familiarícese bien con los controles y el uso correcto de la máquina. Aprenda cómo parar el aparato y desconectar los controles rápidamente.

⚠ ¡Riesgo residual! Las personas con implantes electrónicos, como marcapasos, deberán consultar a su médico antes de utilizar este producto. La utilización de equipos eléctricos en las proximidades inmediatas de un marcapasos podría causar en este interferencias o averías.

⚠ ADVERTENCIA: Para garantizar la seguridad y fiabilidad de la herramienta, las reparaciones y sustituciones debe realizarlas únicamente un técnico cualificado.

SÍMBOLOS DE SEGURIDAD

El propósito de los símbolos de seguridad es atraer su atención hacia posibles peligros. Los símbolos de seguridad y las explicaciones que los acompañan requieren su máxima atención y comprensión. Por sí solos, los símbolos de advertencia no eliminan los posibles peligros. Las instrucciones y advertencias que proporcionan no sustituyen a las medidas adecuadas de prevención de accidentes.

⚠ ADVERTENCIA: Antes de utilizar esta herramienta, asegúrese de haber leído y entendido perfectamente todas las instrucciones que aparecen en este manual del usuario, incluidos todos los símbolos de aviso sobre seguridad, como «**PELIGRO**», «**ADVERTENCIA**» y «**PRECAUCIÓN**». Si no se observan todas las instrucciones que se indican a continuación existe riesgo de incendio, electrocución y lesiones graves.

SIGNIFICADO DE LOS SÍMBOLOS

SÍMBOLO DE AVISO DE SEGURIDAD: Indica **PELIGRO**, **ADVERTENCIA** o **PRECAUCIÓN**, puede utilizarse de manera conjunta con otros símbolos o pictogramas.



⚠ ADVERTENCIA: Cuando se utilizan herramientas eléctricas, es posible que salgan despedidos objetos que podrían causar lesiones oculares graves. Antes de empezar a usar herramientas eléctricas, póngase siempre gafas de seguridad, gafas con cristales anti-impacto que cuenten con pantallas de protección lateral, o bien una máscara facial que proteja completamente la cara. Recomendamos usar una máscara de seguridad de amplia visión que pueda utilizarse encima de gafas graduadas, o bien gafas normales de seguridad equipadas con pantallas laterales.

PRECAUCIONES DE SEGURIDAD

Esta página muestra y describe los símbolos de seguridad que puede haber en este producto. Asegúrese de leer, comprender y cumplir todas las instrucciones que se indican en la máquina antes de proceder a su montaje y utilización.



Precauciones relacionadas con su seguridad.



Para reducir el riesgo de lesiones, el usuario debe leer y comprender perfectamente el manual del usuario antes usar este producto.



Utilice siempre gafas de seguridad, gafas con cristales anti-impacto que cuenten con pantallas de protección lateral, o bien una máscara facial que proteja completamente la cara cuando use este producto.



No use las manos para desatascar la tolva.



Mantenga los pies alejados del impulsor giratorio.



Este producto está en conformidad con las directivas de la CE aplicables.



Los productos eléctricos no deben eliminarse con la basura doméstica. Líveles a un centro de reciclaje autorizado.

V Tensión

cm Centímetro

Corriente continua



No utilice la herramienta bajo la lluvia ni la deje a la intemperie cuando esté lloviendo.



Este producto está en conformidad con la legislación aplicable del Reino Unido.

IPX4 Protección de nivel 4 contra la penetración de agua.

mm Milímetro

kg Kilogramo

ES

MEDIDAS DE SEGURIDAD GENERALES PARA HERRAMIENTAS ELÉCTRICAS

⚠ ¡ADVERTENCIA! Lea todas las advertencias, instrucciones, ilustraciones y especificaciones incluidas con esta herramienta eléctrica. Si no se cumplen todas las instrucciones que se enumeran a continuación, pueden producirse descargas eléctricas, incendios o lesiones graves.

CONSERVE TODAS LAS INSTRUCCIONES Y ADVERTENCIAS PARA PODER CONSULTARLAS EN EL FUTURO.

El término «herramientas eléctricas» que aparece en las advertencias se refiere tanto a aquellas herramientas que funcionan conectadas a la red eléctrica (mediante cable) como a aquellas otras que funcionan con batería (inalámbricas).

SEGURIDAD EN LA ZONA DE TRABAJO

- **Mantenga la zona de trabajo limpia y bien iluminada.** Las áreas de trabajo desordenadas y oscuras favorecen los accidentes.
- **No ponga en funcionamiento las herramientas eléctricas en entornos explosivos como, por ejemplo, donde haya líquidos inflamables, gases o polvo.** Las herramientas eléctricas generan chispas que podrían actuar como detonante de vapores y partículas de polvo inflamables.
- **Mantenga a los niños y las demás personas alejados cuando esté utilizando una herramienta eléctrica.** Las distracciones podrían hacerle perder el control de la herramienta.

SEGURIDAD PERSONAL

- **Manténgase alerta, preste atención a lo que está haciendo y aplique el sentido común durante**

el uso de una herramienta eléctrica. No utilice herramientas eléctricas cuando esté cansado o si se encuentra bajo los efectos de drogas, alcohol o fármacos. Cuando se están usando herramientas eléctricas, cualquier falta de atención, aunque sea por un instante, puede provocar lesiones graves.

- **Utilice equipo de protección personal. Utilice siempre protección ocular.** El equipo de protección, como máscaras antipolvo, calzado de seguridad antideslizante, casco protector o protección auditiva, cuando se utiliza adecuadamente, reduce las lesiones personales.
- **Evite la puesta en marcha accidental de la herramienta. Asegúrese de que el interruptor de encendido se encuentra en la posición de apagado antes de enchufar la herramienta a la red eléctrica y/o de acoplar la batería, así como al agarrar o transportar la herramienta.** Si lleva una herramienta eléctrica con el dedo puesto sobre el interruptor, o si enchufa una herramienta eléctrica con el interruptor encendido, pueden producirse accidentes.
- **Retire cualquier llave de ajuste o llave inglesa de la herramienta antes de encenderla.** Una llave inglesa o una llave de ajuste enganchada a una parte giratoria de la herramienta puede producir lesiones.
- **No se estire demasiado para alcanzar lugares de difícil acceso. Mantenga una posición firme y equilibrada en todo momento.** De este modo podrá controlar mejor la herramienta eléctrica en situaciones inesperadas.
- **Utilice ropa adecuada. No lleve ropa holgada ni joyas. Mantenga el pelo, la ropa y los guantes alejados de las piezas móviles.** La ropa holgada, así como las joyas o el pelo, largo podrían engancharse en las partes móviles de la herramienta.

- **Si se incluyen dispositivos de conexión a extractores y colectores de polvo, asegúrese de conectarlos y utilizarlos adecuadamente.** La utilización de dispositivos colectores de polvo puede reducir los peligros ocasionados por el polvo.
- **El hecho de haberse familiarizado con la herramienta por el uso frecuente no debe hacer que se descuide e ignore los principios de seguridad.** Una distracción puede provocar lesiones graves en una fracción de segundo.
- **Mantenga las asas y la superficie de agarre secas, limpias y libres de aceite y grasa.** Si las asas y las superficies de agarre están resbaladizas no se puede manejar la herramienta de forma segura ni mantener el control en las situaciones inesperadas.
- **Mantenga los cables alejados del área de trabajo de la herramienta.** Durante la utilización de la herramienta, los cables podrían quedar ocultos y cortarse accidentalmente.

UTILIZACIÓN Y CUIDADO DE LAS HERRAMIENTAS ELÉCTRICAS

- **No fuerce la herramienta eléctrica. Utilice la herramienta eléctrica adecuada para la tarea que vaya a realizar.** La herramienta correcta funcionará mejor y con más seguridad a la velocidad para la que ha sido diseñada.
- **No use la herramienta si el interruptor no funciona para encenderla y apagarla.** Toda herramienta que no se puede controlar con el interruptor es peligrosa y debe repararse.
- **Si la batería es extraíble, quítela de la herramienta o active el dispositivo de apagado de la batería antes de sacar material atascado de la herramienta, hacer ajustes, cambiar accesorios, limpiarla o guardarla.** Estas medidas de seguridad reducen el riesgo de que la herramienta se ponga en marcha por accidente.
- **Guarde las herramientas eléctricas apagadas fuera del alcance de niños y no deje que las usen personas que no estén familiarizadas con estas instrucciones o con las herramientas.** Las herramientas eléctricas son peligrosas si las usan personas sin experiencia.
- **Cuide las herramientas eléctricas y sus accesorios. Compruebe si hay elementos móviles desalineados o trabados, piezas rotas u otra circunstancia que pueda afectar al funcionamiento de la herramienta. Si la herramienta eléctrica está dañada, llévela a reparar antes de usarla.** Muchos accidentes se deben a un mantenimiento deficiente de las herramientas eléctricas.
- **Mantenga las herramientas de corte afiladas y limpias.** Las herramientas de corte bien afiladas tienen menos probabilidades de atascarse y son más fáciles de controlar.
- **Use la herramienta eléctrica, los accesorios, las brocas, etc., siguiendo las instrucciones y teniendo en cuenta las condiciones de trabajo y la tarea a realizar.** El uso de las herramientas eléctricas para fines diferentes a los previstos podría provocar situaciones de peligro.

UTILIZACIÓN Y MANTENIMIENTO DE HERRAMIENTAS A BATERÍA

- **Recargue únicamente con el cargador especificado por el fabricante.** Un cargador que es adecuado para un tipo de batería podría ocasionar un incendio si se utiliza con una batería distinta.
- **Utilice herramientas eléctricas solamente con las baterías diseñadas específicamente para ellas.** El uso de cualquier otro tipo de batería puede provocar riesgo de lesiones e incendio.
- **Cuando no se esté utilizando la batería, manténgala apartada de objetos metálicos como clips para papeles, monedas, llaves, clavos, tornillos, o cualquier otro objeto metálico pequeño que pudiera provocar un cortocircuito en sus terminales de corriente.** Si se provoca el cortocircuito en los terminales de la batería, podrían producirse quemaduras o incendios.
- **En condiciones de uso intensivo, es posible que se produzca una fuga de líquido de la batería; evite el contacto. Enjuague con agua si se produce un contacto accidental. Si el líquido entra en contacto con los ojos, solicite también atención médica.** El líquido que emana de la batería puede provocar irritaciones o quemaduras.
- **No utilice una batería o una herramienta que haya sido modificada o que esté dañada.** Las baterías dañadas o modificadas pueden tener un comportamiento impredecible y provocar un incendio, explosión o riesgo de lesiones.
- **No exponga la batería ni la herramienta al fuego ni a una temperatura excesiva.** La exposición al fuego o a una temperatura superior a 100 °C podría provocar una explosión.
- **Siga todas las instrucciones de carga y no cargue la batería ni la herramienta fuera del rango de temperatura especificado en las instrucciones.** Una carga incorrecta o a temperaturas fuera del rango especificado puede dañar la batería y aumentar el riesgo de incendio.

SERVICIO TÉCNICO

- **Las reparaciones de las herramientas eléctricas debe realizarlas un técnico cualificado, utilizando solo piezas de recambio idénticas.** De este modo, podrá garantizarse la seguridad de uso de la herramienta eléctrica.
- **No repare nunca baterías que estén dañadas.** Las baterías solo debe repararlas el fabricante o un centro de servicio técnico autorizado.

⚠ ¡ADVERTENCIA! Lea todas las advertencias, instrucciones, ilustraciones y especificaciones incluidas con esta herramienta eléctrica. Si no se cumplen todas las instrucciones que se enumeran a continuación, pueden producirse descargas eléctricas, incendios o lesiones graves. Guarde todas las instrucciones y advertencias para consultarlas en el futuro.

Guarde todas las instrucciones y advertencias para consultarlas en el futuro.

FORMACIÓN

- Lea, comprenda y siga todas las instrucciones que se indican en la máquina y en el/los manual/es antes de utilizar esta herramienta. Familiarícese bien con los controles y el uso correcto del equipo. Aprenda cómo parar la herramienta y desconectar los controles rápidamente.
- No deje nunca que los niños utilicen este aparato. No deje nunca que utilicen este aparato adultos que no hayan sido instruidos adecuadamente.
- Mantenga el área de utilización despejada y no deje que se acerquen otras personas, especialmente niños pequeños.
- Tenga cuidado para evitar resbalar o caer, en especial cuando use el accesorio de pala quitanieves en sentido inverso.

PREPARACIÓN

- Nunca utilice la herramienta cuando haya personas, especialmente niños, o animales domésticos en las inmediaciones de la zona de trabajo.
- Utilice siempre protección ocular y calzado robusto cuando use la herramienta.
- La distancia entre la máquina y otras personas debe ser al menos 15 m.
- No use nunca la máquina estando cansado, enfermo o bajo los efectos del alcohol u otras drogas.
- Examine minuciosamente el área donde vaya a utilizarse el equipo y retire todos los felpudos, trineos, tablas, cables o cualquier otro objeto extraño.

- No use el equipo si no lleva ropa de invierno adecuada. Evite llevar prendas holgadas que puedan engancharse en las piezas en movimiento. Utilice un calzado que proporcione un mayor apoyo y agarre en superficies resbaladizas.
- Utilice siempre gafas de seguridad o pantallas de protección cuando use la herramienta y cuando realice ajustes o reparaciones, para protegerse los ojos de los objetos extraños que puedan salir lanzados del aparato.
- Utilice cables alargadores y enchufes que cumplan las especificaciones del fabricante para todos los aparatos con motor de arranque eléctrico.
- No intente nunca hacer ajustes con el motor en marcha (excepto cuando lo recomiende el fabricante de manera específica).

FUNCIONAMIENTO

- No coloque manos ni los pies cerca o debajo de los elementos en rotación. Manténgase apartado en todo momento de la abertura de descarga.
- Extreme las precauciones cuando utilice el aparato en calles, aceras o caminos de gravilla o cuando los atraviese. Manténgase alerta ante el tráfico y los peligros ocultos.
- Si la máquina ha golpeado algún objeto extraño, pare el motor, quite la batería, inspeccione a fondo el accesorio de pala quitanieves para ver si se ha dañado y repare los daños antes de volver a poner en marcha y usar el accesorio de pala quitanieves.
- Si el aparato empieza a vibrar de forma anómala, apague el motor y averigüe inmediatamente la causa. Las vibraciones suelen indicar alguna anomalía.
- Pare el motor siempre que abandone la posición de utilización, antes de desatascar la carcasa del conjunto de barrena, y cuando vaya a hacer alguna reparación, ajuste o inspección.
- Extreme la precaución cuando utilice el aparato en pendientes.
- Nunca utilice el accesorio de pala quitanieves sin los protectores correctos y otros dispositivos de seguridad instalados en su sitio y operativos.
- No descargue nunca la nieve directamente hacia personas o áreas en las que se podrían producir daños materiales. Mantenga alejados a los niños y otras personas.
- No sobrecargue la máquina intentando quitar nieve a una velocidad excesiva.

- Nunca opere el accesorio de pala quitanieves a altas velocidades de transporte en superficies resbaladizas. Mire hacia atrás y tenga cuidado cuando lo use en sentido inverso.
- Utilice solo accesorios y equipos aprobados por el fabricante del accesorio de pala quitanieves (por ejemplo, rascador).
- No use nunca el accesorio de pala quitanieves cuando no haya buenas condiciones de visibilidad o iluminación. Apoye siempre los pies de forma segura y sujete los mangos con firmeza. Desplácese caminando, sin correr nunca.
- No exponga la batería ni la herramienta al fuego ni a una temperatura excesiva. La exposición al fuego o a una temperatura superior a 100 °C podría provocar una explosión.
- Utilice únicamente las baterías y cargadores indicados en la fig. B.

ELIMINAR UNA OBSTRUCCIÓN DEL CONJUNTO DE BARRENA

El contacto de la mano con el conjunto de barrena giratorio es la causa más común de lesiones relacionadas con el accesorio de pala quitanieves. No use nunca la mano para despejar un bloqueo del conjunto de barrena giratorio.

Para limpiar el conjunto de la barrena:

- ¡APAGUE LA HERRAMIENTA!
- Quite la batería de la herramienta.
- Espere 10 segundos para asegurarse de que la barrena ha dejado de girar.
- Use siempre la herramienta de limpieza de la barrena incluida en la máquina como accesorio, no use la mano.

MANTENIMIENTO Y ALMACENAMIENTO

- Compruebe frecuentemente que pernos o dispositivos de sujeción estén bien apretados, para asegurarse de que el equipo esté en condiciones de funcionar con seguridad.
- Consulte siempre en el manual del usuario la información importante para guardar el accesorio de pala quitanieves durante un periodo largo.
- Limpie o sustituya las etiquetas de instrucciones o seguridad cuando sea necesario.
- Haga funcionar la máquina unos minutos para evitar que se congele el conjunto de la barrena.

GUARDE ESTAS INSTRUCCIONES. Consúltelas con frecuencia y utilícelas para instruir a otras personas que vayan a usar esta herramienta. En caso de prestar esta

herramienta a terceros, proporciónese también estas instrucciones para evitar un uso incorrecto y posibles lesiones.

ESPECIFICACIONES

Tensión nominal	56 V	
Velocidad sin carga	1420±10% rpm 1750±10% rpm	
Anchura de limpieza	30 cm	
Distancia de tiro	Hasta 7,5 m	
Altura de aspiración	15 cm	
Temperatura de funcionamiento recomendada	de -10 a 10°C	
Temperatura de almacenamiento recomendada	de -20 a 70°C	
	*Para el aparato SIN batería	
Peso	5,2 kg	
Nivel de potencia acústica medido L _{WA}	98 dB(A) K=2,3 dB(A)	
Nivel de presión acústica medido a la altura del oído del usuario L _{PA}	90 dB(A) K=2,5 dB(A)	
Nivel de potencia acústica garantizado L _{WA} (medido conforme a los requisitos de la Directiva 2000/14/CE)	100 dB(A)	
Evaluación de la vibración a _v :	Empuñadura auxiliar delantera	4,4 m/s ² K=1,5 m/s ²
	Empuñadura trasera	3,9 m/s ² K=1,5 m/s ²

- Los parámetros anteriores se han comprobado y medido equipando un conjunto de motor PH1400E.
- El valor de vibración total ha sido medido de acuerdo con el método de prueba estándar y se puede utilizar para comparar herramientas.
- El valor total de vibración declarado se puede usar además en una evaluación preliminar del grado de exposición.

AVISO: Las vibraciones generadas durante el uso real de la herramienta eléctrica pueden diferir del valor declarado en función de la manera en que se utilice. Como protección, el usuario debería utilizar guantes y protectores auditivos en condiciones reales de uso.

LISTA DE CONTENIDO (FIG. A)

DESCRIPCIÓN

FAMILIARÍCESE CON EL ACCESORIO DE PALA QUITANIEVES (Fig. A)

1. Perilla de ajuste del deflector
2. Tubo
3. Tornillo de sellado
4. Plataforma
5. Deflector
6. Rascador
7. Barrena
8. Eje de la barrena
9. Llave hexagonal
10. Caperuza

MONTAJE

⚠ ADVERTENCIA: Si alguna pieza falta o está rota, no utilice el producto hasta haber sustituido las piezas. Podrían producirse lesiones graves en caso de utilizar el producto si alguna de sus piezas falta o está dañada.

⚠ ADVERTENCIA: No intente modificar este producto ni fabricar accesorios no recomendados para su uso en este producto. Cualquier alteración o modificación se considerará uso indebido y podría provocar una situación peligrosa con riesgo de sufrir lesiones graves.

DESEMBALAJE

- Examine minuciosamente la herramienta para asegurarse de que no haya sufrido roturas o daños durante su transporte.
- No deseche el material de embalaje hasta haber examinado detenidamente la herramienta y comprobado su funcionamiento correcto.

CONEXIÓN DEL ACCESORIO DE PALA QUITANIEVES AL CONJUNTO DE MOTOR

Este accesorio de pala quitanieves está diseñado para usarlo con el conjunto de motor EGO PH1400E.

Consulte el apartado «**INSTALACIÓN DE UN ACCESORIO EN EL CONJUNTO DE MOTOR**» del manual del usuario del conjunto de motor PH1400E.

DESINSTALACIÓN DE UN ACCESORIO DEL CONJUNTO DE MOTOR

Consulte el apartado «**DESMONTAJE DEL ACCESORIO DEL CONJUNTO DE MOTOR**» del manual del usuario del conjunto de motor PH1400E.

FUNCIONAMIENTO

⚠ ADVERTENCIA: No permita que el hecho de estar familiarizado con el producto le haga descuidarse. Recuerde que cualquier distracción de una fracción de segundo es suficiente para provocar lesiones graves.

⚠ ADVERTENCIA: Utilice siempre gafas de seguridad, gafas con cristales anti-impacto que cuenten con pantallas de protección lateral, o bien una máscara facial que proteja completamente la cara cuando use este producto. De lo contrario, de la herramienta pueden salir objetos despedidos y alcanzar los ojos, provocando lesiones graves.

APLICACIONES

Este producto puede utilizarse para los fines indicados a continuación:

- Limpieza de áreas pequeñas y condiciones de trabajo ligeras como patios, caminos de paso y garajes.

UTILIZACIÓN DEL ACCESORIO DE PALA QUITANIEVES CON EL CONJUNTO DE MOTOR

⚠ ADVERTENCIA: No use nunca el accesorio de pala quitanieves sobre ríos o lagos helados, u otras superficies similares. Existe peligro de muerte o lesiones graves en caso de que se rompa el hielo.

⚠ ADVERTENCIA: No use nunca el accesorio de pala quitanieves sobre un tejado ni sobre otras superficies inestables, ya que podrían producirse lesiones graves o mortales.

⚠ ADVERTENCIA: No use el accesorio de pala quitanieves sobre el hielo, ya que el usuario podría resbalar y caer, con el riesgo de lesionarse gravemente.

⚠ ADVERTENCIA: No lleve puesta ropa holgada, bufandas ni joyas. Podrían engancharse en las piezas móviles y provocar la muerte o lesiones graves.

⚠ ADVERTENCIA: Nunca dirija el accesorio de pala quitanieves hacia personas o animales. La nieve u otros objetos arrojados pueden causar lesiones personales graves.

⚠ ADVERTENCIA: Asegúrese de que el área que va a limpiar esté libre de piedras, palos, alambres, gravilla y otros objetos que podrían ser lanzados accidentalmente por el accesorio de pala quitanieves en cualquier dirección, provocando lesiones graves al usuario y a otras personas.

Cuando utilice el accesorio de la pala quitanieves, sujete la herramienta con firmeza con ambas manos mientras está en funcionamiento (Fig. C).

- Tenga en cuenta la dirección del viento antes de empezar. Si es posible, descargue la nieve en la misma dirección que el viento para evitar que la nieve le caiga en la cara.
- Algunas piezas del accesorio de pala quitanieves se pueden congelar en condiciones meteorológicas extremas. No intente usar la herramienta si alguna pieza está congelada.
- Si la herramienta entra en contacto con cualquier tipo de obstrucción durante el funcionamiento, deténgala y quite la batería. Revise la herramienta cuidadosamente antes de usarla.
- Si la capa de nieve es demasiado gruesa y más profunda que la profundidad de limpieza, es posible que se necesite más de una pasada para despejarla.

Cuando termine, deje que la herramienta funcione durante unos minutos antes de guardarla, para permitir que toda la nieve salga de la barrena.

PONER EN MARCHA/APAGAR LA HERRAMIENTA

Consulte el apartado «PUESTA EN MARCHA/PARADA DEL CONJUNTO DE MOTOR» del manual del usuario del conjunto de motor PH1400E.

PERILLA DE AJUSTE DEL DEFLECTOR (Fig. D)

La dirección de descarga de este accesorio de pala quitanieves se puede cambiar girando la perilla de ajuste del deflector hacia la izquierda, hacia adelante o hacia la derecha.

El rango de ajuste máximo de la perilla es de 60° (30° hacia la izquierda o hacia la derecha).

La perilla se bloqueará cuando esté en la posición más a la izquierda o más a la derecha. Presione la perilla y gírela a la inversa para desbloquearla.

D-1	Indicador de bloqueo
D-2	Perilla de ajuste del deflector

MANTENIMIENTO

MANTENIMIENTO GENERAL

Evite utilizar disolventes para limpiar las piezas de plástico. La mayoría de los plásticos podrían dañarse si se limpian con algunos de los tipos de disolventes disponibles en el mercado. Utilice paños limpios para eliminar la suciedad y los residuos de polvo, aceite, grasa, etc.

⚠ ADVERTENCIA: Cuando limpie el accesorio de pala quitanieves, NO lo sumerja en agua ni en otros líquidos.

MONTAJE Y DESMONTAJE DEL RASCADOR

1. Quite el acumulador del conjunto de motor.
2. Coloque el accesorio de la pala quitanieves de costado o en cualquier otra posición conveniente para el servicio del rascador.
3. Quite los cuatro tornillos en la parte delantera del rascador, así como los dos tornillos en ambos extremos. Utilice un destornillador (no incluido) para desenroscarlos (Fig. E y F).

E-1	Rascador
-----	----------

4. En caso necesario, cambie el rascador por uno nuevo.
5. Para volver a montarlo, inserte un nuevo rascador, con los seis orificios alineados, inserte los seis tornillos en los orificios y fíjelos con un destornillador (no incluido).

LUBRICACIÓN DE LOS ENGRANAJES DE TRANSMISIÓN

Los engranajes de transmisión de la caja de engranajes deberán lubricarse periódicamente con grasa para engranajes. Compruebe el nivel de grasa de la caja de engranajes aproximadamente cada 50 horas de uso retirando el tornillo de sellado del lateral de la caja.

Si no se ve grasa en los lados de los engranajes, siga los pasos que se presentan a continuación para rellenar con grasa para engranajes hasta una capacidad de 3/4.

No rellene por completo la caja de engranajes de transmisión con grasa.

1. Coloque el accesorio vertical de modo que el tornillo de sellado quede mirando hacia arriba (Fig. G).

G-1	Caja de engranajes
G-2	Tornillo de sellado

2. Emplee la llave multifunción suministrada para aflojar y retirar el tornillo de sellado.

3. Utilice una jeringa engrase (no incluida) para inyectar la grasa en el orificio del tornillo; no sobrepase 3/4 de la capacidad.
4. Apriete el tornillo de sellado tras la inyección.

TRANSPORTE Y ALMACENAMIENTO

- Quite la batería de la herramienta.
- Limpie a fondo la herramienta antes de guardarla.

Almacene la herramienta en un lugar seco y bien ventilado, ya sea cerrado o a una altura suficiente que impida que los niños puedan alcanzarla. No la guarde encima ni cerca de fertilizantes, gasolina u otros productos químicos.

Protección del medio ambiente



No elimine los aparatos eléctricos como basura sin clasificar. Utilice las instalaciones de recogida de residuos específicas. Póngase en contacto con su ayuntamiento para informarse acerca de los sistemas de recogida disponibles.

Si los aparatos eléctricos acabaran tirándose a vertederos o basureros, podrían desprender sustancias perjudiciales que llegarían a contaminar las capas freáticas y entrar en la cadena alimenticia, con el consecuente peligro para la salud y calidad de vida humana.

SOLUCIÓN DE PROBLEMAS

ES

PROBLEMA	CAUSA	SOLUCIÓN
La pala quitanieves no arranca.	<ul style="list-style-type: none"> ■ Paquete de batería agotado ■ El botón de desbloqueo o el gatillo no se han usado correctamente. ■ La batería no está completamente insertada en la carcasa. 	<ul style="list-style-type: none"> ■ Cargue la batería. ■ Siga las instrucciones del apartado «PUESTA EN MARCHA/ APAGADO DEL CONJUNTO DEL MOTOR» en el manual del PH1400E. ■ Compruebe si la batería está completamente insertada en la carcasa.
La máquina presenta daños evidentes.	<ul style="list-style-type: none"> ■ Daños anómalos durante el transporte o el uso. 	<ul style="list-style-type: none"> ■ No continúe usando la herramienta, envíela al centro de reparación designado para su reparación.
La pala de nieve deja una fina capa.	<ul style="list-style-type: none"> ■ El rascador está desgastado. 	<ul style="list-style-type: none"> ■ Sustituya el rascador.
Parada inesperada en el trabajo	<ul style="list-style-type: none"> ■ Máquina sobrecargada ■ La batería o la máquina se han sobrecalentado. 	<ul style="list-style-type: none"> ■ Reducir la intensidad de carga de la máquina. ■ Enfríe la batería o la herramienta antes de usarla.

GARANTÍA

POLÍTICA DE GARANTÍA DE EGO

Visite la página web egopowerplus.com para conocer los términos y condiciones completos de la política de garantía de EGO.

LEIA TODAS AS INSTRUÇÕES



LEIA O MANUAL DO UTILIZADOR

Leia, compreenda e siga todas as instruções na máquina e no manual antes da utilização. Familiarize-se com os controles e utilização adequada da máquina. Saiba como parar a unidade e desativar rapidamente os controles.

⚠ Riscos residuais! As pessoas com dispositivos eletrônicos, como pacemakers, deverão consultar o seu médico antes de utilizarem este produto. A utilização de equipamento elétrico perto de um pacemaker pode causar interferências ou falhas no pacemaker.

⚠ AVISO: Para assegurar a segurança e bom funcionamento, todas as reparações e substituições de peças deverão ser efetuadas por um técnico de reparação qualificado.

SÍMBOLOS DE SEGURANÇA

O objetivo dos símbolos de segurança é chamar a atenção para possíveis perigos. Os símbolos de segurança e as explicações apresentadas com eles requerem a sua atenção e compreensão. Os avisos de segurança, só por eles, não eliminam o perigo. As instruções e avisos dados não são substitutos para medidas de prevenção adequadas a acidentes.

⚠ AVISO: Certifique-se de que lê e compreende todos os avisos de segurança neste manual do utilizador, incluindo todos os símbolos de alerta de segurança, como “**PERIGO, AVISO**” e “**CUIDADO**” antes de usar esta ferramenta. Não seguir todas as instruções apresentadas abaixo pode resultar em choque elétrico, incêndio e/ou ferimentos graves.

SIGNIFICADO DOS SÍMBOLOS

SÍMBOLO DE ALERTA DE SEGURANÇA: Indica **PERIGO, AVISO** ou **CUIDADO** e pode ser usado juntamente com outros símbolos ou imagens.



⚠ AVISO: O funcionamento de qualquer ferramenta elétrica pode dar origem ao ressalto de quaisquer objetos estranhos que podem atingir os olhos, podendo dar origem a sérias lesões oculares. Antes de começar a utilizar a ferramenta elétrica, utilize sempre óculos de segurança com proteções laterais e uma proteção completa para a cara, quando necessário. Recomendamos Máscaras de Segurança com Visão Panorâmica por cima de óculos, ou óculos de segurança padrão com proteção lateral.

INSTRUÇÕES DE SEGURANÇA

Esta página retrata e descreve os símbolos de segurança que podem aparecer neste produto. Leia, compreenda e siga todas as instruções na máquina antes de tentar montar e utilizar.



Precauções para sua segurança.



Para reduzir o risco de lesões, o utilizador tem de ler e compreender o manual de instruções antes de utilizar este produto.



Use sempre óculos de segurança com proteção lateral e, se necessário, uma proteção completa do rosto, quando utilizar este produto.



Não utilize as mãos para desobstruir a saída.



Mantenha os pés afastados da hélice rotativa.



Não use este produto à chuva nem o deixe no exterior quando chover.

CE Este produto encontra-se em conformidade com as diretivas CE aplicáveis.



Os produtos elétricos residuais não deverão ser eliminados juntamente com o lixo doméstico comum. Entregue-os num centro de reciclagem autorizado.

V Voltagem

cm Centímetro

☰ Corrente direta

UK CA Este produto encontra-se em conformidade com a legislação no Reino Unido.

IPX4 Proteção contra a entrada de água de grau 4.

mm Milímetro

kg Quilograma

PT

AVISOS DE SEGURANÇA GERAIS DA FERRAMENTA ELÉTRICA

⚠ AVISO! Leia todos os avisos de segurança, instruções, ilustrações e especificações fornecidas com esta ferramenta elétrica. Não seguir todas as instruções apresentadas abaixo pode resultar em choque elétrico, incêndio e/ou ferimentos graves.

GUARDE TODOS OS AVISOS E INSTRUÇÕES PARA FUTURAS REFERÊNCIAS.

O termo “ferramenta elétrica” nos avisos diz respeito à sua ferramenta alimentada pela rede (com fio) ou com bateria (sem fio).

SEGURANÇA NA ÁREA DE TRABALHO

- **Mantenha a área de trabalho limpa e bem iluminada.** Áreas desarrumadas ou escuras são propícias a acidentes.
- **Não ligue ferramentas elétricas em atmosferas explosivas, tal como na presença de líquidos inflamáveis, gases ou pó.** As ferramentas elétricas geram faíscas que podem provocar a ignição dos fumos ou pó.
- **Mantenha as crianças e pessoas que passem afastadas enquanto trabalha com uma ferramenta elétrica.** As distrações podem fazer com que perca o controlo.

SEGURANÇA PESSOAL

- **Mantenha-se alerta, observe o que está a fazer e use senso comum quando estiver a trabalhar com uma ferramenta elétrica.** Não utilize uma ferramenta elétrica enquanto estiver cansado ou sob o efeito de drogas, álcool ou medicação. Um momento de falta de atenção enquanto trabalha com ferramentas elétricas pode resultar em ferimentos graves.

- **Use equipamento pessoal de proteção. Use sempre proteção ocular.** O equipamento de segurança, tal como máscara respiratória, calçado de segurança antiderrapante, capacete de segurança, ou proteção auditiva, utilizado nas condições adequadas reduzirá a hipótese de ferimentos.
- **Evite ligações sem intenção. Certifique-se de que o interruptor se encontra na posição de desligado antes de ligar a fonte de energia e/ou à bateria ao agarrar ou transportar a ferramenta.** Transportar ferramentas elétricas com o seu dedo no interruptor ou fornecer energia a ferramentas elétricas que tenham o interruptor na posição de ligado convida a acidentes.
- **Retire qualquer chave de ajuste ou chave de fendas antes de ligar a ferramenta elétrica.** Uma chave de porcas ou uma chave deixada ligada a uma peça rotativa da ferramenta elétrica pode provocar ferimentos.
- **Não se estique. Mantenha sempre a base e o equilíbrio adequados.** Isso proporciona um melhor controlo da ferramenta elétrica em situações inesperadas.
- **Vista-se adequadamente. Não use roupa larga nem joias. Mantenha o cabelo, roupa e luvas afastados das partes móveis.** As roupas largas, joias ou cabelo comprido, podem ser apanhados pelas peças móveis.
- **Se forem fornecidos dispositivos para a ligação de extração de pó e facilidades de recolha, certifique-se de que estes estão ligados e de que são devidamente utilizados.** A utilização de dispositivos de recolha do pó pode reduzir os perigos relacionados com o pó.
- **Não permita que a familiarização ganhe com a utilização de ferramentas o torne mais complacente e ignore os princípios de segurança da ferramenta.** Uma ação descuidada pode causar graves ferimentos numa fração de segundo.

UTILIZAÇÃO E CUIDADOS DA FERRAMENTA ELÉTRICA

- **Não force a ferramenta elétrica. Utilize a ferramenta elétrica correta para a sua aplicação.** A ferramenta elétrica correta fará o trabalho melhor e de forma mais segura ao ritmo para o qual foi concebida.
- **Não utilize a ferramenta elétrica se o interruptor não a ligar ou desligar.** Qualquer ferramenta que não possa ser controlada com o interruptor é perigosa e deve ser reparada.
- **Retire a bateria, se amovível, da ferramenta elétrica e/ou ative qualquer dispositivo de desativação da bateria antes de libertar material obstruído, efetuar quaisquer ajustes, mudar de acessórios, limpar ou guardar ferramentas elétricas.** Tais medidas preventivas de segurança reduzem o risco de ligar a ferramenta elétrica acidentalmente.
- **Guarde ferramentas elétricas sem carga fora do alcance de crianças e não permita que pessoas estranhas às ferramentas elétricas ou a estas instruções trabalhem com a ferramenta elétrica.** As ferramentas elétricas são perigosas nas mãos de utilizadores sem formação.
- **Proceda à manutenção das ferramentas elétricas e acessórios. Verifique desalinhamentos ou bloqueios das peças móveis, peças partidas e quaisquer outras condições que possam afetar o funcionamento da ferramenta elétrica.** Se estiver danificada, leve a ferramenta elétrica para ser reparada antes da utilização. Muitos acidentes são provocados pela fraca manutenção das ferramentas elétricas.
- **Mantenha as ferramentas de corte afiadas e limpas.** Ferramentas de corte devidamente mantidas e com arestas de corte afiadas têm uma menor probabilidade de prender e são mais fáceis de controlar.
- **Use a ferramenta elétrica, acessórios e brocas, etc., de acordo com estas instruções, tendo em conta as condições de trabalho e o trabalho a ser efetuado.** A utilização da ferramenta elétrica para operações diferentes daquelas para que foi criada pode dar origem a uma situação perigosa.
- **Mantenha as pegas e superfícies de segurar secas, limpas e sem óleo ou gordura.** Pegas e superfícies de segurar escorregadias não permitem o manuseamento seguro nem o controlo da ferramenta em situações inesperadas.
- **Mantenha cabos afastados da área de trabalho da ferramenta.** Durante o funcionamento, podem haver cabos ocultos nos arbustos que podem ser acidentalmente cortados pela ferramenta.

UTILIZAÇÃO E CUIDADOS DA FERRAMENTA COM A BATERIA

- **Recarregue apenas com o carregador especificado pelo fabricante.** Um carregador que seja adequado a um tipo de bateria pode criar um risco de incêndio quando usado com outra bateria.
- **Use ferramentas elétricas apenas com as baterias especificamente designadas.** A utilização de outras baterias pode criar um risco de lesão e incêndio.
- **Quando não usar a bateria, mantenha-a afastada de outros objetos de metal, como cliques de papel, moedas, chaves, pregos, parafusos ou outros pequenos objetos de metal que possam fazer a ligação entre os dois terminais.** Colocar os terminais da bateria em curto-circuito pode dar origem a queimaduras ou fogo.
- **Sob condições abusivas, pode ser ejetado líquido da bateria; evite o contacto. Se ocorrer um contacto accidental, lave com água abundante. Se o líquido entrar em contacto com os olhos, procure ajuda médica.** O líquido ejetado da bateria pode provocar irritação ou queimaduras.
- **Não use a bateria nem a ferramenta se estiverem danificadas ou modificadas.** Baterias danificadas ou modificadas podem apresentar comportamentos imprevisíveis, dando origem a fogo, explosão ou risco de lesões.
- **Não exponha a bateria ou a ferramenta ao fogo ou temperatura excessiva.** A exposição ao fogo ou a temperaturas acima dos 100 °C pode causar uma explosão.
- **Siga todas as instruções de carregamento e não carregue a bateria nem a ferramenta a uma temperatura fora dos parâmetros especificados nas instruções.** Carregar incorretamente ou a temperaturas fora dos parâmetros especificados pode danificar a bateria e aumentar o risco de fogo.

REPARAÇÃO

- **A reparação da sua ferramenta elétrica deverá ser sempre efetuada por pessoas qualificadas, utilizando apenas peças sobresselentes idênticas.** Tal irá assegurar que a segurança da ferramenta elétrica é mantida.
- **Nunca tente reparar uma bateria danificada.** A reparação das baterias só deverá ser efetuada pelo fabricante ou por um reparador autorizado.

⚠ AVISO! Leia todos os avisos de segurança, instruções, ilustrações e especificações fornecidas com esta ferramenta elétrica. Não seguir todas as instruções apresentadas abaixo pode resultar em choque elétrico, incêndio e/ou ferimentos graves. Guarde todos os avisos e instruções para futuras referências.

PT

Guarde todos os avisos e instruções para futuras referências.

TREINO

- Leia, compreenda e siga todas as instruções na máquina e no manual antes da utilização. Familiarize-se com os controles e utilização adequada do equipamento. Saiba como parar a ferramenta e desativar rapidamente os controles.
- Nunca permita que crianças utilizem o equipamento. Nunca permita que adultos utilizem o equipamento sem as devidas instruções.
- Mantenha outras pessoas, especialmente crianças pequenas, afastadas da área de funcionamento.
- Tenha cuidado para evitar escorregar ou cair, especialmente quando estiver a utilizar a pá para a neve enquanto anda para trás.

PREPARAÇÃO

- Nunca utilize o aparelho com pessoas, especialmente crianças, ou animais por perto.
- Use sempre proteção ocular e calçado resistente enquanto utiliza a máquina.
- A distância entre a máquina e terceiros deve ser de, pelo menos, 15 m.
- Nunca utilize a máquina quando o operador estiver cansado, doente ou sob a influência de álcool ou outras drogas.
- Inspeccione cuidadosamente a área onde vai utilizar o equipamento e retire quaisquer tapetes, trenós, pranchas, fios e outros objetos estranhos.
- Não utilize o equipamento sem usar roupa de inverno adequada. Evite usar roupa folgada que possa ficar presa nas peças em movimento. Use calçado que melhore a sua estabilidade em superfícies escorregadias.
- Use sempre óculos de segurança ou proteção ocular durante a utilização, ajuste ou reparação da máquina, para proteger os seus olhos de objetos estranhos que possam ser atirados pela máquina.
- Use extensões e recetáculos conforme especificado pelo fabricante para todas as unidades com motores de arranque elétricos.

- Nunca tente fazer quaisquer ajustes enquanto o motor estiver a funcionar (exceto quando especificamente recomendado pelo fabricante).

FUNCIONAMENTO

- Não coloque as mãos ou pés perto ou debaixo das peças rotativas. Mantenha-se sempre afastado da abertura de descarga.
- Tenha muito cuidado quando utilizar o aparelho por cima de vias de cascalho. Esteja alerta quanto a perigos ocultos ou trânsito.
- Após bater num objeto estranho, pare o motor, retire a bateria, inspecione bem a pá para a neve quanto a danos, e repare os danos antes de voltar a ligar e utilizar a pá para a neve.
- Se a unidade começar a vibrar anormalmente, desligue o motor e verifique imediatamente as causas. A vibração é habitualmente um aviso de problemas.
- Pare o motor sempre que deixar a posição de operação, antes de desbloquear a estrutura do conjunto da verruma e quando efetuar quaisquer reparações, ajustes ou inspeções.
- Tenha muito cuidado quando trabalhar em encostas.
- Nunca utilize a pá para a neve sem as devidas proteções e outros dispositivos de segurança montados e a funcionar.
- Nunca oriente a descarga para pessoas ou áreas onde possam ocorrer danos patrimoniais. Mantenha crianças e terceiros afastados.
- Não sobrecarregue a capacidade da máquina tentando limpar a neve demasiado depressa.
- Nunca opere o acessório da pá para a neve a altas velocidades de transporte em superfícies escorregadias. Olhe para trás e tenha cuidado quando trabalhar em marcha-atrás.
- Use apenas acessórios aprovados pelo fabricante do acessório da pá para a neve (como a barra raspadora).
- Nunca utilize o acessório da pá para a neve sem boa visibilidade ou luz. Certifique-se de que mantém um equilíbrio constante e segure bem as pegas. Caminhe, nunca corra.
- Não exponha a bateria ou a ferramenta ao fogo ou temperatura excessiva. A exposição ao fogo ou a temperaturas acima dos 100 °C pode causar uma explosão.
- Utilize apenas com as baterias e carregadores listados na Imagem B.

LIMPAR O CONJUNTO DA VERRUMA OBSTRUÍDO

O contacto da mão com o conjunto da verruma em rotação é a causa mais comum de ferimentos associados à pá para a neve. Nunca use as mãos para limpar o conjunto da verruma em rotação.

Para limpar o conjunto da verruma:

- **DESLIGUE A FERRAMENTA!**
- Retire a bateria da ferramenta.
- Espere 10 segundos para se certificar de que a verruma parou de rodar.
- Use sempre a ferramenta de limpeza da verruma, fixada na máquina como acessório. Não use as mãos.

MANUTENÇÃO E ARMAZENAMENTO

- Verifique a intervalos frequentes os parafusos ou fixadores quanto ao aperto adequado, para se certificar de que o equipamento está em bom estado de funcionamento.
- Consulte sempre o manual de instruções quanto a dados importantes, caso guarde a pá para a neve durante um longo período de tempo.
- Mantenha ou substitua as etiquetas de segurança e instruções, conforme necessário.
- Deixe a máquina funcionar durante alguns minutos, para evitar que o conjunto da verruma congele.

GUARDE ESTAS INSTRUÇÕES. Consulte com frequência e use estas instruções para instruir outras pessoas sobre a forma de utilizar esta ferramenta. Se emprestar esta ferramenta, entregue também as instruções, para evitar uma má utilização do produto e possíveis ferimentos.

CARACTERÍSTICAS TÉCNICAS

Voltagem nominal	56 V
Velocidade sem carga	1420±10% rpm 1750±10% rpm
Largura de libertação	30 cm
Distância de lançamento	Até 7,5 m
Altura de entrada	15 cm
Temperatura de funcionamento recomendada	-10-10°C
Temperatura de armazenamento recomendada *Para o aparelho SEM bateria	-20-70°C
Peso	5,2 kg
Nível de potência do som medido L_{WA}	98 dB(A) K=2,3 dB(A)

Nível da pressão do som no ouvido do operador L_{PA}	90 dB(A) K=2,5 dB(A)	
Nível de potência do som garantido L_{WA} (medido de acordo com a 2000/14/CE)	100 dB(A)	
Avaliação da vibração a_n :	Pega auxiliar dianteira	4,4 m/s ² K=1,5 m/s ²
	Pega traseira	3,9 m/s ² K=1,5 m/s ²

PT

- As definições apresentadas anteriormente são testadas e medidas equipadas com a cabeça motora PH1400E.
- O valor total declarado da vibração foi medido de acordo com um método de teste padrão e pode ser usado para comparar duas ferramentas.
- O valor total declarado da vibração também pode ser usado numa avaliação preliminar da exposição.

AVISO: A emissão de vibrações durante a utilização da ferramenta elétrica pode diferir do valor declarado em que a ferramenta é usada. De modo a proteger o utilizador, este deverá usar luvas e proteção auditiva nas condições atuais de utilização.

LISTA DE PEÇAS (IMAGEM A)

DESCRIÇÃO

CONHEÇA O SEU ACESSÓRIO DE PÁ PARA A NEVE (Imagem A)

1. Manipulo de ajuste do defletor
2. Eixo
3. Parafuso vedante
4. Plataforma
5. Defletor
6. Barra raspadora
7. Verruma
8. Eixo da verruma
9. Chave sextavada
10. Tampão da extremidade

MONTAGEM

AVISO: Se quaisquer peças estiverem danificadas ou em falta, não utilize este produto até as peças serem substituídas. Utilizar este produto com peças danificadas ou em falta pode dar origem a ferimentos sérios.

PT

AVISO: Não tente modificar este produto nem criar acessórios que não sejam recomendados para utilizar com o produto. Qualquer alteração ou modificação é considerada uma má utilização e pode dar origem a perigos, que podem levar a lesões pessoais sérias.

DESEMPACOTAR

- Inspeccione cuidadosamente o aparelho para se certificar de que não ocorreram quebras ou danos durante o transporte.
- Guarde o material de empacotamento até ter inspecionado cuidadosamente e ter utilizado de modo satisfatório a ferramenta.

LIGAR O ACESSÓRIO DA PÁ PARA A NEVE À CABEÇA MOTORA

Este acessório da pá para a neve foi criado para ser usado com a cabeça motora EGO Power PH1400E.

Consulte a secção “**INSTALAR UM ACESSÓRIO NA CABEÇA MOTORA**” no manual de utilização da cabeça motora PH1400E.

RETIRE O ACESSÓRIO DA CABEÇA MOTORA

Consulte a secção “**REMOVER UM ACESSÓRIO DA CABEÇA MOTORA**” no manual de utilização da cabeça motora PH1400E.

FUNCIONAMENTO

AVISO: Não deixe que a sua familiaridade com o produto o torne descuidado. Lembre-se de que uma fração de segundo de desatenção é o suficiente para sofrer um ferimento sério.

AVISO: Use sempre óculos de segurança com proteção lateral e, se necessário, uma proteção completa do rosto, quando utilizar este produto. Se não o fizer, pode apanhar com objetos nos olhos, dando origem a possíveis ferimentos graves.

APLICAÇÕES

Pode utilizar este produto com os intuitos listados abaixo:

- Limpeza de pequenas áreas e condições de trabalho leves, como pátios, passeios e garagens.

USAR O ACESSÓRIO DA PÁ PARA A NEVE COM A CABEÇA MOTORA

AVISO: Nunca use o acessório da pá para a neve em lagos congelados, rios ou superfícies semelhantes. Pode ocorrer a morte ou ferimentos sérios se o gelo se partir.

AVISO: Nunca use o acessório da pá para a neve em telhados ou outras superfícies instáveis que possam dar origem à morte ou ferimentos sérios.

AVISO: Não use o acessório da pá para a neve em gelo, pois o operador pode escorregar e cair, podendo dar origem a ferimentos sérios.

AVISO: Não use roupa larga, cachecóis nem joias. Estes podem ficar presos nas peças móveis e causar morte ou ferimentos sérios.

AVISO: Nunca aponte o acessório da pá para a neve na direção de pessoas ou animais de estimação. A neve ou outros objetos atirados podem causar ferimentos sérios.

AVISO: Certifique-se de que a área a ser limpa não tem pedras, paus, arames, brita ou outros objetos que possam ser acidentalmente atirados pelo acessório da pá para a neve em qualquer direção e causar ferimentos sérios ao operador e a outras pessoas.

Ao usar o acessório da pá para a neve, segure a ferramenta com um aperto firme com as duas mãos durante a operação (Imagem C).

- Tenha em conta a direção do vento antes de começar. Sempre que possível, efetue a descarga da neve na direção do vento, para evitar que a neve seja atirada contra a sua cara.
- Algumas partes do acessório da pá para a neve podem congelar em situações de temperatura extrema. Não tente operar a ferramenta com peças congeladas.
- Se a ferramenta entrar em contacto com qualquer tipo de obstrução durante a operação, pare-a e retire a bateria. Verifique cuidadosamente a ferramenta antes da utilização.
- Se a neve for muito espessa e mais profunda do que a profundidade de limpeza, pode demorar mais de uma passagem para limpar.

Quando terminar, deixe a ferramenta funcionar por alguns minutos para permitir que toda a neve saia da verruma antes de guardar.

LIGAR/DESLIGAR A FERRAMENTA

Consulte a secção “**LIGAR/DESLIGAR A CABEÇA MOTORA**” no manual de utilização da cabeça motora PH1400E.

MANÍPULO DE AJUSTE DO DEFLETOR (Imagem D)

A direção de descarga deste acessório da pá para a neve pode ser alterada rodando o manípulo de ajuste do defletor para a esquerda, frente ou direita.

O raio máximo de ajuste do manípulo é de 60° (30° para a esquerda ou direita).

O manípulo será bloqueado quando estiver na posição mais à esquerda ou à direita. Pressione o manípulo e rode-o ao contrário para desbloqueá-lo.

D-1	Indicador de bloqueio
D-2	Manípulo de ajuste do defletor

MANUTENÇÃO

MANUTENÇÃO GERAL

Evite usar solventes quando limpar peças de plástico. Grande parte dos plásticos é suscetível a danos devido a vários tipos de solventes comerciais. Use panos limpos para retirar a sujidade, pó, óleo, gordura, etc.

⚠ AVISO: Quando limpar o acessório da pá para a neve, NÃO mergulhe em água ou outros líquidos.

MONTAGEM E DESMONTAGEM DA BARRA RASPADORA

1. Retire a bateria da cabeça motora.
2. Coloque o acessório da pá para a neve de lado ou em qualquer outra posição conveniente para efetuar trabalhos na barra raspadora.
3. Retire os quatro parafusos na frente da barra raspadora, bem como os dois parafusos nas duas extremidades. Use uma chave de fendas (não incluída) para os desenroscar (Imagem E e F).

E-1	Barra raspadora
-----	-----------------

4. Se necessário, substitua a barra raspadora por uma nova.
5. Para voltar a montar, insira uma nova barra raspadora, com os seis orifícios alinhados, insira os seis parafusos nos orifícios e fixe-os com uma chave de fendas (não incluída).

LUBRIFICAÇÃO DOS CARRETOS DE TRANSMISSÃO

Os carretos de transmissão na caixa dos carretos têm de ser

lubrificadas periodicamente com lubrificante para carretos. Verifique o nível de lubrificação da caixa dos carretos a cada 50 horas de funcionamento, retirando o parafuso vedante na parte lateral da caixa.

Se não vir qualquer lubrificante nas partes laterais do carreto, siga os passos apresentados em baixo para atestar com lubrificante para carretos até 3/4 da capacidade.

Não encha completamente a estrutura dos carretos de transmissão.

1. Coloque o acessório direito, de modo a que o parafuso vedante fique virado para cima (Imagem G).

G-1	Caixa do carreto
G-2	Parafuso vedante

2. Use a chave multifunções fornecida para desapertar e retirar o parafuso vedante.
3. Use uma seringa lubrificante (não incluída) para injetar algum lubrificante no orifício do parafuso. Não exceda 3/4 da capacidade.
4. Aperte o parafuso vedante após a injeção.

TRANSPORTE E ARMAZENAMENTO

- Retire a bateria da ferramenta.
- Limpe bem o aparelho antes de o guardar.

Guarde a ferramenta num local seco, bem ventilado, trancado ou elevado, fora do alcance das crianças. Não guarde a ferramenta em cima ou perto de fertilizantes, gasolina ou outros químicos.

Proteja o ambiente



Não elimine aparelhos elétricos juntamente com o lixo doméstico comum. Utilize sistemas de recolha em separado para este tipo de produtos. Contacte as autoridades locais para obter mais informações em relação aos sistemas de recolha disponíveis.

Se os aparelhos elétricos forem deitados para aterros ou lixeiras, podem derramar substâncias tóxicas para a terra, entrando na água e depois na cadeia alimentar, causando danos na sua saúde e no seu bem-estar.

RESOLUÇÃO DE PROBLEMAS**PT**

PROBLEMA	CAUSA	SOLUÇÃO
A pá para a neve não começa a funcionar.	<ul style="list-style-type: none">■ Bateria gasta.■ O botão de desbloqueio ou interruptor do gatilho não foi usado adequadamente.■ A bateria não está completamente inserida na estrutura.	<ul style="list-style-type: none">■ Carregue a bateria.■ Siga a secção “LIGAR/DESLIGAR A CABEÇA MOTORA” no manual da PH1400E.■ Verifique se a bateria está completamente inserida na estrutura.
A máquina está obviamente danificada.	<ul style="list-style-type: none">■ Danos anormais durante o transporte ou utilização.	<ul style="list-style-type: none">■ Não continue a usar. Envie-a para um centro de reparação designado para ser reparada.
A pá para a neve deixa uma fina camada.	<ul style="list-style-type: none">■ A barra raspadora está gasta.	<ul style="list-style-type: none">■ Substitua a barra raspadora.
Desliga-se inesperadamente durante o funcionamento.	<ul style="list-style-type: none">■ Máquina sobrecarregada.■ A bateria na máquina sobreaqueceu.	<ul style="list-style-type: none">■ Reduza a intensidade de carga da máquina.■ Arrefeça a bateria ou a máquina antes de a usar.

GARANTIA**POLÍTICA DE GARANTIA EGO**

Visite o website egopowerplus.com para os termos e condições completos da política de garantia da EGO.

LEGGERE TUTTE LE ISTRUZIONI



LEGGERE IL MANUALE DI ISTRUZIONI

Leggere, comprendere e seguire tutte le istruzioni riportate sull'apparecchio e nel manuale prima dell'uso. Familiarizzarsi con i comandi e l'uso corretto dell'apparecchio. Imparare come arrestare rapidamente l'apparecchio in caso di emergenza.

⚠️ Rischi residui! Le persone portatrici di dispositivi elettronici, ad esempio pacemaker, devono consultare il proprio medico prima di usare questo prodotto. L'uso di apparecchi elettrici in prossimità di pacemaker cardiaci comporta il rischio di interferenze o malfunzionamento del pacemaker.

⚠️ AVVERTENZA! Per garantire sicurezza e affidabilità, tutte le riparazioni e sostituzioni devono essere eseguite da un tecnico qualificato.

SIMBOLI DI SICUREZZA

Lo scopo dei simboli di sicurezza è attirare l'attenzione dell'operatore su possibili pericoli. I simboli di sicurezza e le relative spiegazioni richiedono la massima attenzione e comprensione da parte dell'operatore. Le avvertenze espresse dai simboli, da sole, non eliminano tutti i rischi. Le istruzioni e le avvertenze non sostituiscono le adeguate misure di prevenzione contro gli incidenti.

⚠️ AVVERTENZA! Accertarsi di aver letto e compreso tutte le istruzioni di sicurezza in questo manuale, inclusi tutti i simboli di avvertenza come **"PERICOLO"**, **"AVVERTENZA"** e **"ATTENZIONE"**, prima di usare questo apparecchio. Il mancato rispetto di tutte le istruzioni elencate di seguito comporta il rischio di scossa elettrica, incendio e/o lesioni gravi.

SIGNIFICATO DEI SIMBOLI

SIMBOLO DI AVVERTENZA: indica **PERICOLO**, **AVVERTENZA** o **ATTENZIONE**; può essere usato in combinazione con altri simboli o icone.



⚠️ AVVERTENZA! L'uso di apparecchi elettrici può causare il lancio di oggetti estranei verso l'operatore, con il rischio di lesioni gravi agli occhi. Durante l'uso dell'apparecchio, indossare sempre occhiali protettivi o occhiali di sicurezza con protezioni laterali e, se necessario, una maschera facciale. Si raccomanda di indossare una maschera di sicurezza con ampio campo visivo sopra gli occhiali o occhiali di sicurezza standard con protezioni laterali.

AVVERTENZE DI SICUREZZA

Questa pagina illustra e descrive i simboli di sicurezza che possono comparire sul prodotto. Leggere, comprendere e seguire tutte le istruzioni sull'apparecchio prima di tentare di assemblarlo e utilizzarlo.



Precauzioni relative alla sicurezza dell'operatore.



Per ridurre il rischio di infortunio, l'utente deve leggere e comprendere tutte le istruzioni prima di usare questo prodotto.



Durante l'uso del prodotto, indossare sempre occhiali protettivi o occhiali di sicurezza con protezioni laterali e una maschera facciale.



Non usare le mani per rimuovere le ostruzioni dallo scivolo di scarico.



Tenere mani e piedi a distanza dall'accessorio in rotazione.



Non usare l'apparecchio in caso di pioggia e non lasciarlo all'aperto quando piove.

CE Questo prodotto è conforme alle direttive europee applicabili.



I prodotti elettrici non devono essere smaltiti insieme ai rifiuti domestici. Portarli presso un centro di riciclaggio autorizzato.

V Tensione

cm Centimetro

 Corrente continua

UK CA Questo prodotto è conforme alle direttive britanniche applicabili.

IPX4 Protezione contro l'ingresso di acqua di livello 4

mm Millimetro

kg Chilogrammo

IT

AVVERTENZE DI SICUREZZA COMUNI A TUTTI GLI UTENSILI ELETTRICI

⚠ AVVERTENZA! Consultare tutte le avvertenze di sicurezza, le istruzioni, le illustrazioni e le specifiche fornite insieme a questo utensile elettrico. Il mancato rispetto delle istruzioni sotto riportate comporta il rischio di scossa elettrica, incendio e/o gravi infortuni.

CONSERVARE TUTTE LE AVVERTENZE E LE ISTRUZIONI PER FUTURO RIFERIMENTO.

Il termine "utensile elettrico" utilizzato nelle avvertenze indica un utensile elettrico alimentato tramite rete elettrica (con cavo) o batterie (senza cavo).

SICUREZZA DELL'AREA DI LAVORO

- **Mantenere l'area di lavoro pulita e ben illuminata.** Il disordine e la scarsa illuminazione favoriscono gli incidenti.
- **Non usare gli utensili elettrici in atmosfere esplosive, ad esempio in presenza di liquidi, gas o polveri infiammabili.** Gli utensili elettrici creano scintille che possono incendiare polveri o fumi.
- **Durante l'uso dell'utensile elettrico, tenere a distanza i bambini e le persone presenti.** Le distrazioni possono far perdere il controllo.

SICUREZZA PERSONALE

- **Durante l'uso di un utensile elettrico, prestare sempre la massima attenzione e utilizzare il buon senso. Non usare un utensile elettrico se si è stanchi o sotto l'effetto di droghe, alcol o farmaci.** Anche un solo momento di disattenzione durante l'uso dell'utensile elettrico può provocare gravi infortuni.
- **Indossare dispositivi di protezione individuale.** Indossare sempre protezioni per gli occhi I dispositivi di protezione individuale come maschere antipolvere, calzature antiscivolo, caschi e cuffie per le orecchie, se

utilizzati quando le circostanze lo richiedono, riducono il rischio di infortuni.

- **Prevenire l'avvio accidentale. Assicurarsi che l'interruttore sia in posizione di arresto prima di sollevare, trasportare o collegare l'utensile elettrico alla presa di corrente e/o alla batteria.** Per ridurre il rischio di incidenti, non trasportare gli utensili elettrici tenendo le dita sull'interruttore e non collegarli alla fonte di alimentazione se l'interruttore è in posizione di avvio.
- **Rimuovere eventuali chiavi di regolazione o avvitoamento prima di avviare l'utensile elettrico.** Una chiave rimasta inserita in un elemento mobile dell'utensile elettrico può provocare infortuni.
- **Non allungarsi eccessivamente. Tenere i piedi a contatto con il pavimento e mantenere sempre l'equilibrio.** Ciò assicura un miglior controllo dell'utensile elettrico in situazioni impreviste.
- **Vestirsi in modo adeguato. Non indossare indumenti ampi o gioielli. Tenere capelli, indumenti e guanti lontani dalle parti in movimento.** Indumenti ampi, gioielli o capelli lunghi possono rimanere impigliati nelle parti in movimento.
- **Se sono disponibili dei dispositivi per l'estrazione e la raccolta della polvere, assicurarsi che siano collegati e utilizzati correttamente.** L'uso di tali dispositivi può ridurre i rischi connessi alle polveri.
- **Non lasciare che la familiarità con l'utensile (derivata da un uso frequente) abbassi il livello di attenzione.** Anche una minima distrazione può causare gravi infortuni.

USO E MANUTENZIONE DELL'UTENSILE ELETTRICO

- **Non forzare l'utensile elettrico. Utilizzare l'utensile più adatto al lavoro da svolgere.** Un utensile elettrico corretto è più sicuro ed efficace al regime per cui è stato progettato.

- **Non usare l'utensile elettrico se l'interruttore non funziona correttamente.** Un utensile elettrico che non può essere controllato dall'interruttore è pericoloso e deve essere riparato.
 - **Rimuovere il gruppo batteria, se removibile, e/o attivare eventuali dispositivi di scollegamento della batteria prima di riporre l'utensile, pulirlo, regolarlo, sostituire gli accessori o rimuovere materiali incastrati.** Tali misure preventive riducono il rischio di avvio accidentale dell'utensile elettrico.
 - **Riporre gli utensili elettrici fuori dalla portata dei bambini e non permetterne l'uso a persone che non hanno familiarità con l'utensile o con queste istruzioni.** Gli utensili elettrici sono pericolosi se utilizzati da persone non competenti.
 - **Mantenere gli utensili elettrici e gli accessori in buono stato. Verificare che le parti mobili non siano disallineate o inceppate, che i componenti non siano danneggiati e che non siano presenti altri problemi che potrebbero pregiudicare il corretto funzionamento dell'utensile elettrico.** Se l'utensile elettrico è danneggiato, farlo riparare prima di utilizzarlo nuovamente. Molti incidenti sono provocati da utensili elettrici in cattive condizioni.
 - **Mantenere gli accessori di taglio puliti e affilati.** Un'adeguata manutenzione e affilatura degli accessori da taglio riduce il rischio di inceppamento e facilita il controllo dell'utensile elettrico.
 - **Usare l'utensile elettrico, gli accessori, le punte ecc. conformemente a queste istruzioni, tenendo conto delle condizioni dell'area di lavoro e del tipo di lavoro da svolgere.** L'uso dell'utensile elettrico per operazioni diverse da quelle per cui è progettato può comportare situazioni di pericolo.
 - **Mantenere le impugnature e le superfici di presa asciutte, pulite e prive di olio o grasso.** Impugnature e superfici di presa scivolose non garantiscono l'uso sicuro e il controllo dell'utensile in situazioni impreviste.
 - **Tenere i cavi elettrici lontani dall'area di lavoro.** Durante l'uso dell'apparecchio, i cavi possono essere nascosti e venire danneggiati dall'utensile.
- **I gruppi batteria devono essere utilizzati esclusivamente con gli utensili per cui sono progettati.** L'uso di altri gruppi batteria comporta il rischio di incendio e infortunio.
 - **Quando il gruppo batteria non è in uso, tenerlo lontano da piccoli oggetti metallici, ad esempio graffette, monete, chiavi, chiodi, viti ecc. poiché potrebbero creare un collegamento tra i due terminali.** Il cortocircuito dei terminali della batteria comporta il rischio di incendio o ustioni.
 - **L'utilizzo improprio può causare fuoriuscite di liquido dalla batteria: evitare il contatto con tale liquido. In caso di contatto accidentale, lavare con acqua.** Se il liquido entra a contatto con gli occhi, consultare un medico. Il liquido fuoriuscito dalla batteria può causare irritazioni o ustioni.
 - **Non usare gruppi batteria o utensili danneggiati o modificati.** Le batterie danneggiate o modificate possono manifestare comportamenti imprevisti, con il rischio di incendio, esplosione o infortunio.
 - **Non esporre il gruppo batteria o l'utensile a fiamme o temperature eccessive.** L'esposizione a fiamme o temperature superiori a 100°C comporta il rischio di esplosione.
 - **Rispettare tutte le istruzioni relative alla ricarica e non ricaricare il gruppo batteria o l'utensile a temperature diverse da quelle specificate nelle istruzioni.** Una ricarica eseguita in modo improprio o a temperature diverse da quelle specificate può danneggiare la batteria e aumentare il rischio di incendio.

RIPARAZIONI

- **Affidare la riparazione dell'utensile a personale qualificato e utilizzare esclusivamente parti di ricambio identiche.** Ciò garantisce la sicurezza dell'utensile elettrico.
- **Non riparare gruppi batteria danneggiati.** La riparazione dei gruppi batteria deve essere effettuata esclusivamente dal costruttore o da un centro di assistenza autorizzato.

⚠ AVVERTENZA! Consultare tutte le avvertenze di sicurezza, le istruzioni, le illustrazioni e le specifiche fornite insieme a questo utensile elettrico. Il mancato rispetto delle istruzioni sotto riportate comporta il rischio di scossa elettrica, incendio e/o gravi infortuni. Conservare tutte le avvertenze e le istruzioni per futuro riferimento.

Conservare tutte le avvertenze e le istruzioni per futuro riferimento.

USO E MANUTENZIONE DEGLI UTENSILI A BATTERIA

- **Ricaricare la batteria esclusivamente con il caricabatteria specificato dal costruttore.** Un caricabatteria adatto a un certo tipo di gruppo batteria comporta il rischio di incendio se utilizzato con gruppi batteria di tipo diverso.

FORMAZIONE ALL'USO

- Leggere, comprendere e seguire tutte le istruzioni riportate sull'apparecchio e nel manuale prima dell'uso. Familiarizzarsi con i comandi e l'uso corretto dell'apparecchio. Imparare come arrestare rapidamente l'apparecchio in caso di emergenza.
- Non permettere ai bambini di usare l'apparecchio. Non permettere l'uso di questo apparecchio ad adulti non competenti.
- Allontanare dall'area di lavoro le altre persone, in particolare i bambini piccoli.
- Prestare attenzione per evitare di scivolare o cadere, in particolare durante l'uso dell'accessorio spalaneve in retromarcia.

PREPARAZIONE

- Non usare l'apparecchio in prossimità di altre persone, in particolare bambini, o animali.
- Indossare sempre dispositivi di protezione per gli occhi e scarpe robuste durante l'uso dell'apparecchio.
- La distanza tra l'apparecchio e le altre persone presenti deve essere almeno 15 metri.
- Non usare l'apparecchio se si è stanchi, malati o sotto l'effetto di alcol, droghe o medicinali.
- Ispezionare accuratamente l'area di lavoro e rimuovere eventuali zerbini, slitte, pannelli, cavi e altri oggetti estranei.
- Non usare l'apparecchio senza indossare indumenti invernali adeguati. Evitare indumenti ampi che possono rimanere impigliati nelle parti in movimento. Indossare calzature che migliorano l'aderenza sulle superfici scivolose.
- Indossare sempre occhiali di sicurezza o occhiali dotati di schermi laterali durante l'uso dell'apparecchio e durante le operazioni di regolazione o riparazione per evitare lesioni oculari.
- Usare le prolunghe e le prese di corrente specificate dal costruttore per tutte le unità con motorini di avviamento elettrici.
- Non tentare di regolare l'apparecchio quando il motore è in funzione (tranne se specificamente raccomandato dal costruttore).

UTILIZZO

- Non posizionare mani o piedi in prossimità o sotto le parti rotanti. Tenersi sempre distanti dalle aperture di scarico.
- Prestare particolare attenzione durante l'uso o il passaggio su strade, vialetti o sentieri in ghiaia.

Prestare attenzione al traffico e a eventuali pericoli nascosti.

- Dopo aver urtato un oggetto estraneo, arrestare il motore, rimuovere il gruppo batteria e verificare che l'accessorio spalaneve non abbia subito danni; in caso contrario, ripararlo prima di riavviarlo e usarlo.
- Se l'apparecchio inizia a vibrare in modo anomalo, arrestare il motore e individuare immediatamente la causa. La vibrazione è generalmente sintomo di un problema.
- Arrestare il motore prima di lasciare la posizione operativa, di rimuovere eventuali ostruzioni dal gruppo coclea e di sottoporre l'apparecchio a riparazioni, regolazioni o ispezioni.
- Prestare particolare attenzione sui terreni in pendenza.
- Non usare l'accessorio spalaneve se le apposite protezioni o i dispositivi di sicurezza non sono installati o non sono funzionanti.
- Non dirigere l'apertura di scarico verso persone o oggetti che possono subire danni. Tenere a distanza i bambini e le altre persone.
- Non sovraccaricare l'apparecchio tentando di rimuovere la neve troppo velocemente.
- Non usare l'accessorio spalaneve ad alta velocità di marcia su superfici scivolose. Guardare dietro di sé e prestare attenzione durante l'uso in retromarcia.
- Utilizzare esclusivamente accessori approvati dal costruttore dell'accessorio spalaneve (come il raschietto a barra).
- Non usare l'accessorio spalaneve in condizioni di scarsa illuminazione o scarsa visibilità. Mantenere l'equilibrio e afferrare saldamente le impugnature. Durante l'uso dell'apparecchio, camminare e non correre.
- Non esporre il gruppo batteria o l'utensile a fiamme o temperature eccessive. L'esposizione a fiamme o temperature superiori a 100°C comporta il rischio di esplosione.
- Usare l'apparecchio esclusivamente con i gruppi batteria e caricabatteria elencati in Fig. B.

RIMOZIONE DI OSTRUZIONI DAL GRUPPO COCLEA

Il contatto delle mani con il gruppo coclea è la causa più comune delle lesioni associate agli accessori spalaneve. Non usare mai le mani per rimuovere un'ostruzione dal gruppo coclea.

Per rimuovere un'ostruzione dal gruppo coclea, procedere come descritto di seguito.

- **ARRESTARE L'APPARECCHIO.**

- Rimuovere il gruppo batteria dall'apparecchio.
- Attendere 10 secondi per assicurarsi che la coclea si sia arrestata completamente.
- Usare esclusivamente l'utensile di pulizia della coclea fornito insieme all'apparecchio; non usare le mani.

MANUTENZIONE E CONSERVAZIONE

- Ispezionare tutti i bulloni e i dispositivi di fissaggio a intervalli regolari per assicurarsi che siano serrati affinché l'apparecchio funzioni in modo sicuro.
- Consultare il manuale di istruzioni per informazioni importanti relative alla conservazione dell'accessorio spalaneve per un lungo periodo.
- Mantenere pulite le etichette operative e di sicurezza e sostituirle se necessario.
- Dopo l'uso, lasciare in funzione l'apparecchio per qualche minuto per evitare il congelamento della coclea.

CONSERVARE QUESTE ISTRUZIONI. Consultarle frequentemente e usarle per istruire gli altri operatori dell'apparecchio. Se si presta questo apparecchio ad altre persone, allegare anche queste istruzioni per evitare l'uso errato dell'apparecchio e il rischio di infortunio.

SPECIFICHE TECNICHE

Tensione nominale	56 V
Velocità a vuoto	1420±10% rpm 1750±10% rpm
Larghezza di rimozione	30 cm
Distanza di lancio	Fino a 7,5 m
Altezza di raccolta	15 cm
Temperatura di funzionamento raccomandata	Da -10°C a 10°C
Temperatura di conservazione raccomandata *Per gli apparecchi SENZA gruppo batteria	Da -20°C a 70°C
Peso	5,2 kg
Livello di potenza sonora misurato L_{WA}	98 dB(A) K=2,3 dB(A)
Livello di pressione sonora a livello dell'orecchio dell'operatore L_{PA}	90 dB(A) K=2,5 dB(A)

Livello di potenza sonora garantito L_{WA} (misurazione conforme a 2000/14/EC)		100 dB(A)
Valore di emissione delle vibrazioni a_{h_v} :	Impugnatura ausiliaria anteriore	4,4 m/s ² K=1,5 m/s ²
	Impugnatura posteriore	3,9 m/s ² K=1,5 m/s ²

- I parametri sopra riportati sono stati collaudati e misurati in combinazione con la testa motore PH1400E.
- Il valore totale di emissione delle vibrazioni dichiarato è stato misurato con un metodo di valutazione standard e può essere utilizzato per confrontare l'apparecchio con altri prodotti analoghi.
- Il valore totale di emissione delle vibrazioni dichiarato può essere utilizzato anche per una valutazione preliminare dei livelli di esposizione.

NOTA: il valore di emissione delle vibrazioni durante l'uso effettivo dell'utensile elettrico può variare rispetto al valore totale dichiarato in base alla modalità di utilizzo dell'utensile. Per proteggersi, l'operatore deve indossare guanti e dispositivi di protezione per le orecchie in base alle condizioni di utilizzo effettive.

CONTENUTO DELL'IMBALLAGGIO (FIG. A)

DESCRIZIONE

DESCRIZIONE DELL'ACCESSORIO SPALANEVE (Fig. A)

1. Manopola di regolazione del deflettore
2. Asta
3. Vite sigillante
4. Copertura superiore
5. Deflettore
6. Raschietto a barra
7. Coclea
8. Asse della coclea
9. Chiave esagonale
10. Cappuccio terminale

ASSEMBLAGGIO

AVVERTENZA! In caso di componenti danneggiati o mancanti, non usare l'apparecchio finché i componenti non vengono sostituiti. L'uso dell'apparecchio con componenti danneggiati o mancanti comporta il rischio di lesioni gravi.

AVVERTENZA! Non tentare di modificare l'apparecchio o usare accessori non raccomandati per l'uso con questo apparecchio. Tali alterazioni o modifiche costituiscono un uso improprio e comportano condizioni pericolose e il rischio di lesioni gravi.

DISIMBALLAGGIO

- Ispezionare attentamente l'apparecchio per assicurarsi che non abbia subito danni durante il trasporto.
- Non gettare i materiali di imballaggio finché l'apparecchio non è stato ispezionato con attenzione e collaudato.

COLLEGAMENTO DELL'ACCESSORIO SPALANEVE ALL'UNITÀ MOTORE

Questo accessorio spalaneve è progettato per l'uso con l'unità motore EGO PH1400E.

Consultare la sezione "INSTALLAZIONE DI UN ACCESSORIO SULL'UNITÀ MOTORE" nel manuale di istruzioni dell'unità motore PH1400E.

RIMOZIONE DELL'ACCESSORIO DALL'UNITÀ MOTORE

Consultare la sezione "RIMOZIONE DI UN ACCESSORIO DALL'UNITÀ MOTORE" nel manuale di istruzioni dell'unità motore PH1400E.

UTILIZZO

AVVERTENZA! La familiarità con questo apparecchio non deve rendere l'operatore disattento. Anche un solo momento di disattenzione comporta il rischio di lesioni gravi.

AVVERTENZA! Durante l'uso dell'apparecchio, indossare sempre occhiali protettivi o occhiali di sicurezza con protezioni laterali e una maschera facciale, per evitare il rischio di oggetti proiettati verso gli occhi dell'operatore e altre lesioni gravi.

APPLICAZIONI

Questo prodotto può essere usato per gli scopi elencati di seguito.

- Pulizia di piccole aree con carico di lavoro leggero come giardini, vialetti e garage.

UTILIZZO DELL'ACCESSORIO SPALANEVE CON L'UNITÀ MOTORE

AVVERTENZA! Non usare l'accessorio spalaneve su laghi ghiacciati, fiumi ghiacciati o superfici similari. La rottura del ghiaccio comporta il rischio di lesioni gravi, anche mortali.

AVVERTENZA! Non usare l'accessorio spalaneve su tetti o altre superfici instabili per evitare il rischio di lesioni gravi, anche mortali.

AVVERTENZA! Non usare l'accessorio spalaneve sul ghiaccio per evitare che l'operatore scivoli e cada, con il rischio di lesioni gravi.

AVVERTENZA! Non indossare indumenti ampi, scarpe o gioielli perché possono rimanere impigliati nelle parti in movimento e causare lesioni gravi, anche mortali.

AVVERTENZA! Non dirigere l'accessorio spalaneve verso persone o animali. Il lancio di neve o altri oggetti può causare lesioni gravi.

AVVERTENZA! Assicurarsi che l'area di lavoro sia priva di pietre, rametti, cavi, ghiaia e altri oggetti che potrebbero venire lanciati accidentalmente dall'accessorio spalaneve e causare lesioni gravi all'operatore o ad altre persone.

Durante l'uso dell'accessorio spalaneve, impugnare saldamente l'apparecchio con entrambe le mani quando è in funzione (Fig. C).

- Prestare attenzione alla direzione del vento prima di iniziare il lavoro. Se possibile, scaricare la neve nella stessa direzione del vento per evitare che la neve finisca negli occhi dell'operatore.
- Alcune parti dell'accessorio spalaneve possono ghiacciare in condizioni climatiche estreme. Non tentare di usare l'apparecchio se presenta parti ghiacciate.
- Se l'apparecchio entra a contatto con qualsiasi tipo di ostruzione durante l'uso, arrestarlo e rimuovere il gruppo batteria. Ispezionare accuratamente l'apparecchio prima dell'uso.
- Se la neve è troppo alta e profonda rispetto alla profondità di rimozione dell'accessorio spalaneve, per rimuoverla potrebbero essere necessarie più passate.

Al termine dell'uso e prima di riporre l'apparecchio, lasciarlo in funzione per qualche minuto per rimuovere la neve dalla coclea.

AVVIO/ARRESTO DELL'UTENSILE

Consultare la sezione "AVVIO/ARRESTO DELL'UNITÀ MOTORE" nel manuale di istruzioni dell'unità motore PH1400E.

REGOLAZIONE DEL DEFFETTORE (Fig. D)

La direzione di scarico dell'accessorio spalaneve può essere regolata ruotando la manopola di regolazione del deflettore verso sinistra, destra o in avanti.

Il deflettore può essere regolato di 60° (30° verso destra o sinistra).

La manopola si bloccherà quando raggiunge il limite di rotazione a destra o sinistra. Premere la manopola e ruotarla in direzione opposta per sbloccarla.

D-1	Indicatore di bloccaggio
D-2	Manopola di regolazione del deflettore

MANUTENZIONE

MANUTENZIONE GENERALE

Evitare l'uso di solventi durante la pulizia delle parti in plastica. La maggior parte dei materiali plastici può essere danneggiata da molti tipi di solventi in commercio. Usare un panno pulito per rimuovere sporcizia, polvere, olio, grasso, ecc.

AVVERTENZA! Durante la pulizia dell'accessorio spalaneve, NON immergerlo in acqua o altri liquidi.

INSTALLAZIONE E RIMOZIONE DEL RASCHIETTO A BARRA

1. Rimuovere il gruppo batteria dall'unità motore.
2. Disporre l'accessorio spalaneve su un lato o in un'altra posizione comoda per raggiungere il raschietto a barra.
3. Rimuovere le quattro viti sulla parte anteriore del raschietto a barra e le due viti a entrambe le estremità. Usare un cacciavite (non incluso) per svitarle (Fig. E e F).

E-1	Raschietto a barra
-----	--------------------

4. Sostituire il raschietto a barra quando è usurato.
5. Per installare il raschietto a barra, allineare i sei fori, inserire le sei viti e serrarle con un cacciavite (non incluso).

LUBRIFICAZIONE DEGLI INGRANAGGI DI TRASMISSIONE

Gli ingranaggi di trasmissione nella scatola ingranaggi devono essere lubrificati periodicamente con del grasso per ingranaggi. Controllare il livello del grasso della scatola ingranaggi ogni 50 ore di utilizzo rimuovendo la vite sigillante sul lato della scatola.

Se ai lati dell'ingranaggio non è visibile del grasso, seguire i passaggi riportati di seguito per riempirlo di grasso fino ai 3/4 della sua capacità.

Non riempire completamente la scatola ingranaggi.

1. Posizionare l'accessorio spalaneve in verticale affinché la vite sigillante sia rivolta verso l'alto (Fig. G).

G-1	Scatola ingranaggi
G-2	Vite sigillante

2. Usare la chiave multifunzione fornita per allentare e rimuovere la vite sigillante.
3. Usare una siringa per grasso (non inclusa) per iniettare del grasso nel foro della vite; non superare i 3/4 della capacità.
4. Serrare la vite sigillante dopo il riempimento.

TRASPORTO E CONSERVAZIONE

- Rimuovere il gruppo batteria dall'apparecchio.
- Pulire accuratamente l'apparecchio prima di riportarlo.

Conservare l'utensile in un luogo asciutto, ben ventilato, elevato o chiuso a chiave, e fuori dalla portata dei bambini. Non conservare l'apparecchio sopra o in prossimità di fertilizzanti, benzina o altre sostanze chimiche.

Protezione dell'ambiente



Non smaltire gli apparecchi elettrici insieme ai rifiuti indifferenziati, ma portarli presso gli appositi punti di raccolta. Rivolgersi alle autorità locali per informazioni sui sistemi di raccolta disponibili.

Se gli apparecchi elettrici vengono gettati in discarica, le sostanze pericolose che contengono possono infiltrarsi nella falda freatica ed entrare nella catena alimentare, con un effetto nocivo sulla salute e il benessere.

RISOLUZIONE DEI PROBLEMI

PROBLEMA	CAUSA	SOLUZIONE
L'accessorio spalaneve non si avvia.	<ul style="list-style-type: none"> ■ Il gruppo batteria è scarico. ■ Il pulsante di sbloccaggio o l'interruttore a grilletto non sono stati premuti correttamente. ■ Il gruppo batteria non è installato correttamente nell'apparecchio. 	<ul style="list-style-type: none"> ■ Ricaricare la batteria. ■ Consultare la sezione "AVVIO/ARRESTO DELL'UNITÀ MOTORE" nel manuale di istruzioni dell'unità motore PH1400E. ■ Assicurarsi che il gruppo batteria sia installato correttamente nell'apparecchio.
L'accessorio spalaneve è visibilmente danneggiato.	<ul style="list-style-type: none"> ■ Danni subiti durante il trasporto o l'utilizzo. 	<ul style="list-style-type: none"> ■ Non usare l'accessorio spalaneve e portarlo presso un centro di assistenza affinché venga riparato.
L'accessorio spalaneve lascia un sottile strato di neve.	<ul style="list-style-type: none"> ■ Il raschietto a barra è usurato. 	<ul style="list-style-type: none"> ■ Sostituire il raschietto a barra.
L'accessorio spalaneve si arresta improvvisamente.	<ul style="list-style-type: none"> ■ L'apparecchio è sovraccarico. ■ Il gruppo batteria o l'apparecchio sono troppo caldi. 	<ul style="list-style-type: none"> ■ Ridurre il carico di lavoro. ■ Attendere che il gruppo batteria o l'apparecchio si raffreddino.

GARANZIA

CONDIZIONI DELLA GARANZIA EGO

Visitare il sito web egopowerplus.com per consultare le condizioni complete della garanzia EGO.

LEES ALLE INSTRUCTIES



LEES DE GEBRUIKSAANWIJZING

Lees, begrijp en volg alle instructies op het gereedschap en in de handleiding(en) op voordat u het gereedschap gebruikt. Maak u grondig vertrouwd met de bedieningen en het juiste gebruik van de machine. Weet hoe u het gereedschap stopt en de bedieningen snel losmaakt.

⚠ Reistrisico! Personen met elektronische apparaten zoals pacemakers, moeten eerst hun arts(en) raadplegen voordat ze dit product gebruiken. De werking van een elektrisch apparaat in de nabijheid van een pacemaker kan een storing of defect van de pacemaker veroorzaken.

⚠ WAARSCHUWING: Om een continue veiligheid en betrouwbaarheid te waarborgen, dienen alle reparaties en vervangingen van onderdelen uitgevoerd te worden door een gekwalificeerde servicemonteur.

VEILIGHEIDSSYMBOLEN

Het doel van de veiligheidssymbolen is om u te wijzen op mogelijke gevaren. Besteed daarom voldoende aandacht hieraan en begrijp de veiligheidssymbolen en bijbehorende uitleg. De symboolwaarschuwingen op zich elimineren geen enkel gevaar. De verstrekte instructies en waarschuwingen gelden niet als vervanging voor gepaste voorzorgsmaatregelen tegen ongevallen.

⚠ WAARSCHUWING: Lees en begrijp alle veiligheidsinstructies die in deze gebruiksaanwijzing staan vermeld, waaronder alle veiligheidssymbolen zoals “**GEVAAR**,” “**WAARSCHUWING**,” en “**OPGELET**” voordat u dit gereedschap gebruikt. Het negeren van onderstaande instructies kan leiden tot een elektrische schok, brand en/of ernstig persoonlijk letsel.

BETEKENIS VAN DE SYMBOLEN

VEILIGHEIDS-WAARSCHUWINGSSYMBOL: Duidt op **GEVAAR**, **WAARSCHUWING**, of **OPGELET**, kan worden gebruikt in combinatie met andere symbolen of pictogrammen.



⚠ WAARSCHUWING: Het gebruik van elektrische gereedschappen kan leiden tot het rondslingeren van (vreemde) objecten die in uw ogen kunnen terechtkomen. Dit kan leiden tot ernstig oogletsel. Wanneer u elektrische apparaten gebruikt, zorg er dan voor dat u altijd een veiligheidsbril (met zijschermen) of een gelaatsscherm draagt. We bevelen aan om een gelaatsscherm over uw bril of standaard veiligheidsbril met zijschermen te gebruiken.

VEILIGHEIDSSYMBOLEN

Deze pagina toont en beschrijft alle veiligheidssymbolen die zich op dit product kunnen bevinden. Lees, begrijp en volg alle instructies op de machine voordat u deze in elkaar zet en gebruikt.



Voorzorgsmaatregelen voor uw veiligheid.



De gebruiker dient de gebruiksaanwijzing voor het gebruik van dit product te lezen om risico op letsel te beperken.



Draag altijd een veiligheidsbril (met zijschermen) en een gelaatsscherm als u dit product gebruikt.



Gebruik niet uw handen om de koker te ontstoppen.



Houd uw voeten uit de buurt van de draaiende waaier.



Gebruik het apparaat niet in de regen en laat het tevens niet buiten achter als het regent.

CE Dit product is in overeenstemming met de EG-richtlijnen.



Gooi elektrisch afval niet via het huishoudelijk afval weg. Breng het naar een geautoriseerd recyclingbedrijf.

V Spanning

cm Centimeter

 Gelijkstroom

UK CA Dit product is in overeenstemming met de toepasselijke richtlijnen van het VK.

IPX4 Bescherming tegen het binnendringen van water klasse 4.

mm Millimeter

kg Kilogram

NL

ALGEMENE VEILIGHEIDSWAARSCHUWINGEN VOOR ELEKTRISCH GEREEDSCHAP

⚠ WAARSCHUWING! Lees alle veiligheidswaarschuwingen, instructies, illustraties en specificaties die met het elektrisch gereedschap zijn meegeleverd. Het negeren van onderstaande instructies kan leiden tot een elektrische schok, brand en/of ernstig letsel.

BEWAAR ALLE WAARSCHUWINGEN EN INSTRUCTIES VOOR TOEKOMSTIG GEBRUIK.

De term “elektrisch gereedschap” in de waarschuwingen verwijst naar uw op het voedingsnet aangedreven (met snoer) elektrisch gereedschap of batterij aangedreven (snoerloos) elektrisch gereedschap.

VEILIGHEID OP DE WERKPLAATS

- **Houd de werkplaats schoon en goed verlicht.** Rommelige of donkere ruimten kunnen ongevallen veroorzaken.
- **Gebruik geen elektrisch gereedschap in ruimten waar een explosieve atmosfeer kan ontstaan, bijvoorbeeld in de aanwezigheid van ontvlambare vloeistoffen, gassen of stof.** Elektrisch gereedschap creëert vonken, deze kunnen stof of dampen in brand steken.
- **Houd kinderen en omstanders uit de buurt wanneer u een elektrisch gereedschap bedient.** Aflleiding kan tot controleverlies leiden.

PERSOONLIJKE VEILIGHEID

- **Wees waakzaam, let op wat u doet en gebruik uw gezond verstand wanneer u elektrisch gereedschap gebruikt. Gebruik het elektrisch gereedschap niet als u moe bent of onder de invloed bent van drugs, alcohol of medicijnen.** Een moment van onoplettendheid tijdens het gebruik van elektrische gereedschappen kan leiden tot ernstig persoonlijk letsel.

- **Gebruik persoonlijke beschermingsmiddelen. Draag altijd oogbescherming.**

Beschermingsmiddelen zoals een stofmasker, slipvaste veiligheidsschoenen, veiligheidshelm of gehoorbescherming afhankelijk van de aard en het gebruik van het gereedschap verkleint het risico op persoonlijk letsel.

- **Vermijd dat het gereedschap per ongeluk wordt gestart. Zorg dat de schakelaar op de stand ‘Uit’ is ingesteld voordat u het gereedschap op een stroombron en/of accupack aansluit, vastneemt of draagt.** Het dragen van elektrisch gereedschap met uw vinger op de schakelaar of gereedschap ingeschakeld op de stroomvoorziening aansluiten kan ongevallen veroorzaken.
- **Verwijder instelsleutels of moersleutels voordat u het elektrisch gereedschap inschakelt.** Een instelsleutel of moersleutel in een draaiend deel van het elektrisch gereedschap achterlaten kan leiden tot persoonlijk letsel.
- **Reik niet te ver. Zorg er altijd voor dat u stevig en stabiel staat.** Dit zorgt ervoor dat u het elektrisch gereedschap in onverwachte situaties beter onder controle kunt houden.
- **Draag passende kleding. Draag geen los hangende kleding of sieraden.** Houd uw haar, kleding en handschoenen uit de buurt van bewegende onderdelen. Los hangende kleding, sieraden en lang haar kunnen in bewegende onderdelen verstrikt raken.
- **Wanneer de montage van stofafzuiging- of stofopvangvoorzieningen mogelijk is, dient u ervoor te zorgen dat deze juist aangesloten en gebruikt worden.** Het gebruik van voorzieningen voor stofopvang kan helpen om het risico in verband met stof te verlagen.

- **Word niet zelfingenomen door de ervaring die u heeft opgedaan door frequent gebruik, waardoor u dan de veiligheidswaarschuwingen negeert.** Een achteloze actie kan binnen een fractie van een seconde ernstig letsel veroorzaken.

ELEKTRISCH GEREEDSCHAP GEBRUIKEN EN ONDERHOUDEN

- **Overbelast het elektrisch gereedschap niet. Gebruik het juiste elektrisch gereedschap voor uw toepassing.** Met het juiste elektrisch gereedschap werkt u beter en veiliger binnen het aangegeven vermogensbereik.
- **Gebruik het elektrisch gereedschap niet als de schakelaar niet kan worden in- en uitgeschakeld.** Elektrisch gereedschap dat niet kan worden in- of uitgeschakeld is gevaarlijk en moet worden gerepareerd.
- **Verwijder het accupack, indien verwijderbaar, van het elektrisch gereedschap en/of activeer een accu-uitschakelinstallatie voordat u vastgelopen materiaal verwijdert, eventuele aanpassingen uitvoert, accessoires wisselt, reinigt, of het elektrisch gereedschap opbergt.** Deze preventieve voorzorgsmaatregelen beperken het risico op onbedoeld starten van het elektrisch gereedschap.
- **Berg niet-gebruikt elektrisch gereedschap op buiten het bereik van kinderen en zorg ervoor dat personen die niet vertrouwd zijn met het gereedschap of die deze instructies niet hebben gelezen het gereedschap niet gebruiken.** Elektrisch gereedschap is gevaarlijk wanneer het door onervaren personen wordt gebruikt.
- **Onderhoud het elektrisch gereedschap en de accessoires. Controleer of de bewegende onderdelen correct functioneren en niet vastklemmen en of de onderdelen zodanig gebroken of beschadigd zijn dat de werking van het elektrisch gereedschap nadelig wordt beïnvloed. Laat een beschadigd elektrisch gereedschap eerst repareren voordat u het weer in gebruik neemt.** Vele ongevallen zijn het gevolg van slecht onderhouden elektrisch gereedschap.
- **Houd de snij-onderdelen scherp en schoon.** Zorgvuldig onderhouden snij-gereedschap met scherpe snijranden klemt minder snel vast en is gemakkelijker te beheersen.
- **Gebruik het elektrisch gereedschap, accessoires, inzetgereedschap, etc. in overeenstemming met deze instructies en houd hierbij rekening met de werkomstandigheden en de uit te voeren werkzaamheden.** Het gebruik van elektrisch gereedschap voor andere dan de beoogde

toepassingen kan tot gevaarlijke situaties leiden.

- **Houd de handgrepen en greepvlakken droog, schoon en vrij van olie en smeervet.** Glibberige handgrepen en greepvlakken maken een veilige omgang en de controle over het elektrisch gereedschap in onverwachte situaties onmogelijk.
- **Houd kabels uit de buurt van het werkgebied van het gereedschap.** Tijdens het gebruik kan de stroomkabel verborgen worden en per ongeluk beschadigd raken door het elektrisch gereedschap.

ACCU-GEREEDSCHAP GEBRUIKEN EN ONDERHOUDEN

- **Opladen alleen met de lader die door de fabrikant is aangegeven.** Een lader die geschikt is voor een bepaald type accupack kan tot brandgevaar leiden wanneer hij gebruikt wordt met een ander accupack.
- **Gebruik elektrisch gereedschap alleen met het specifiek aangegeven accupack.** Het gebruik van andere accupacks kan risico op letsel en brandgevaar veroorzaken.
- **Wanneer u het accupack niet gebruikt, houd het uit de buurt van andere metalen voorwerpen zoals paperclips, munten, sleutels, spijkers, schroeven of andere kleine metalen voorwerpen die de twee aansluitklemmen kunnen verbinden.** Het kortsluiten van de aansluitklemmen kan brandwonden of brand veroorzaken.
- **Bij verkeerd gebruik kan er vloeistof uit de accu worden gespoten; vermijd elk contact. Als aanraking met de vloeistof toevallig plaatsvindt, spoel het dan af met water. Als de vloeistof in de ogen komt, dient u onmiddellijk een arts te consulteren.** Vloeistof dat uit de accu wordt gespoten kan irritatie of brandwonden veroorzaken.
- **Gebruik een accupack of gereedschap dat is beschadigd of aangepast niet.** Beschadigde of aangepaste accu's kunnen resulteren in onvoorzien gedrag zoals brand, explosie of het risico op letsel.
- **Stel een accupack of gereedschap niet bloot aan vuur of excessieve temperaturen.** Blootstelling aan vuur of temperaturen boven 100°C kunnen leiden tot een explosie.
- **Neem alle laadinstructies in acht en laad het accupack of het gereedschap niet buiten het gespecificeerde temperatuurbereik in de handleiding op.** Het onjuist laden of bij een temperatuur buiten het temperatuurbereik kan de accu beschadigen en er bestaat een gevaar op brand.

SERVICE

- **Laat uw elektrisch gereedschap repareren door een gekwalificeerde reparateur en alleen met identieke reserve-onderdelen.** Dit waarborgt de veiligheid van het elektrisch gereedschap.
- **Repareer beschadigde accupacks nooit.** Onderhoud van accupacks mag alleen worden uitgevoerd door de fabrikant of een geautoriseerde dienstverlener.

⚠ WAARSCHUWING! Lees alle veiligheidswaarschuwingen, instructies, illustraties en specificaties die met het elektrisch gereedschap zijn meegeleverd. Het negeren van onderstaande instructies kan leiden tot een elektrische schok, brand en/of ernstig letsel. Bewaar alle waarschuwingen en instructies voor toekomstig gebruik.

Bewaar alle waarschuwingen en instructies voor toekomstig gebruik.

TRAINING

- Lees, begrijp en volg alle instructies op het gereedschap en in de handleiding(en) op voordat u dit gereedschap gebruikt. Maak u grondig vertrouwd met de bedieningen en het juiste gebruik van het gereedschap. Weet hoe u het gereedschap stopt en de bedieningen snel ontkoppelt.
- Kinderen mogen het gereedschap nooit gebruiken. Laat volwassenen het gereedschap niet gebruiken zonder voorafgaande juiste instructies.
- Houd het werkgebied vrij van personen, in het bijzonder van kleine kinderen.
- Wees voorzichtig om uitglijden of vallen te voorkomen, vooral als u met de sneeuwschuiverbevestiging in de achteruit werkt.

VOORBEREIDING

- Gebruik het gereedschap nooit als zich mensen, in het bijzonder kinderen, of huisdieren in de buurt bevinden.
- Draag altijd oogbescherming en stevige schoenen tijdens het gebruik van het gereedschap.
- De afstand tussen het gereedschap en de omstanders mag niet minder dan 15m zijn.
- Gebruik het gereedschap nooit als de bediener moe of ziek is of onder invloed is van alcohol of andere drugs.
- Controleer het gebied waar u het gereedschap wilt gebruiken en verwijder alle deurmatten, sleden, planken, draden en andere vreemde voorwerpen.

- Gebruik het gereedschap niet zonder adequate winterkleding te dragen. Voorkom loszittende kleding die terecht kan komen in bewegende onderdelen. Draag schoeisel dat voor een betere stand op gladde oppervlakken zorgt.
- Draag altijd een veiligheidsbril of oogbescherming tijdens het gebruik of als u instellingen of reparaties uitvoert uw ogen te beschermen tegen vreemde voorwerpen die door de machine kunnen worden weggeslingerd.
- Gebruik verlengkabels en houders zoals door de fabrikant gespecificeerd voor al het gereedschap met elektrische startmotoren.
- Tracht nooit aanpassingen uit te voeren terwijl de motor loopt (behalve als dit specifiek wordt aanbevolen door de fabrikant).

GEBRUIK

- Houd uw handen en voeten uit de buurt van de draaiende onderdelen. Blijf altijd uit de buurt van de afvoeropening.
- Wees buitengewoon voorzichtig als u op opritten, paden of wegen met grind werkt. Wees waakzaam voor verborgen gevaren of verkeer.
- Nadat u een vreemd voorwerp heeft geraakt, stopt u de motor, verwijdt u het accupack, inspecteert u de sneeuwschuiverbevestiging grondig op beschadigingen en repareert u de schade voordat u de sneeuwschuiverbevestiging opnieuw start en in gebruik neemt.
- Als het gereedschap abnormaal begint te trillen, stop de motor en zoek onmiddellijk naar de oorzaak. Trilling wijst over het algemeen op een storing.
- Stop de motor als u het werkgebied verlaat, voordat u de behuizing van de schroeftransporteur ontstopt en als u reparaties, aanpassingen of inspecties uitvoert.
- Wees buitengewoon voorzichtig als u op een helling werkt.
- Gebruik de sneeuwschuiverbevestiging nooit zonder juist gemonteerde en werkende schermen en andere veiligheidsvoorzieningen.
- Richt de koker niet op personen of gebieden waar beschadiging van eigendom kan optreden. Houd kinderen en anderen uit de buurt.
- Overbelast het gereedschap niet boven de capaciteit door de sneeuw te snel te ruimen.
- Gebruik de sneeuwschuiverbevestiging nooit bij hoge transportsnelheden op een gladde ondergrond. Kijk achter u en wees voorzichtig tijdens het gebruik in de achteruit.

- Gebruik alleen hulpstukken en accessoires die zijn goedgekeurd door de fabrikant van het sneeuwschuiverbevestiging (zoals de schraapbalk).
- Bedien de sneeuwschuiverbevestiging nooit zonder goed zicht of licht. Let altijd op een goede stand en houd de grepen altijd stevig vast. Altijd lopen, nooit rennen.
- Stel een accupack of gereedschap niet bloot aan vuur of excessieve temperaturen. Blootstelling aan vuur of temperaturen boven 100°C kunnen leiden tot een explosie.
- Gebruik alleen met in afb. B vermelde accupacks en laders.

EEN VERSTOPPENDE SCHROEFTRANSPORTEUR OPLOSSEN

Handcontact met de schroeftransporteur is de meest voorkomende oorzaak van letsel in verband met de sneeuwschuiverbevestiging. Gebruik nooit uw hand om de roterende schroeftransporteur schoon te maken.

Om de schroeftransporteur schoon te maken:

- **SCHAKEL HET GEREEDSCHAP UIT!**
- Haal het accupack uit het gereedschap.
- Wacht 10 seconden om er zeker van te zijn dat de boor is gestopt met draaien.
- Gebruik altijd het reinigingsgereedschap voor de schroeftransporteur dat als accessoire is bevestigd aan het gereedschap; gebruik niet uw hand.

ONDERHOUD EN OPSLAG

- Controleer regelmatig alle bouten of bevestigingsmiddelen op hun stevige bevestiging om er zeker van te zijn dat het gereedschap in een veilige werktoestand is.
- Raadpleeg altijd de gebruiksaanwijzing voor belangrijke details als de sneeuwschuiverbevestiging gedurende een lange periode wordt opgeborgen.
- Onderhoud of vervang de veiligheids- en instructielabels indien dit nodig mocht zijn.
- Laat de machine een paar minuten draaien om bevroering van de schroeftransporteur te voorkomen.

Bewaar deze gebruiksaanwijzing. Raadpleeg de gebruiksaanwijzing indien nodig en gebruik deze om andere personen die dit gereedschap zullen gebruiken te instrueren. Al u dit gereedschap aan iemand anders geeft, doe dan tevens deze gebruikershandleiding erbij om verkeerd gebruik en mogelijk letsel te voorkomen.

SPECIFICATIES

Nominale spanning	56 V	
Snelheid zonder belasting	1420±10%/rpm 1750±10%/rpm	
Reinigingsbreedte	30 cm	
Worpafstand	Tot 7,5m	
Opnamehoogte	15 cm	
Aanbevolen bedrijfstemperatuur	-10-10°C	
Aanbevolen opslagtemperatuur *Voor het apparaat ZONDER accupack	-20-70°C	
Gewicht	5,2 kg	
Gemeten geluidsvermogensniveau L_{WA}	98 dB(A) K=2,3 dB(A)	
Geluidsdruk niveau bij het oor van de bediener L_{PA}	90 dB(A) K=2,5 dB(A)	
Gewaarborgd geluidsvermogensniveau L_{WA} (gemeten conform 2000/14/EC)	100 dB(A)	
Inschatting van de vibratie a_{ii} :	Voorste handgreep	4,4 m/s ² K=1,5 m/s ²
	Achterste handgreep	3,9 m/s ² K=1,5 m/s ²

- De bovengenoemde parameters werden getest en gemeten met de motorkop PH1400E.
- De opgegeven totale vibratiewaarde is gemeten volgens de standaard testmethode en kan worden gebruikt om het apparaat met een ander apparaat te vergelijken;
- De opgegeven totale vibratiewaarde kan tevens worden gebruikt in een voorafgaande beoordeling op blootstelling.

OPMERKING: De trillingsemissie tijdens het werkelijk gebruik van het elektrisch gereedschap kan verschillen van de opgegeven totale waarde; Om de bediener te beschermen dient de gebruiker tijdens het gebruik handschoenen en gehoorbescherming te dragen.

PAKLIJST (AFB.A)

BESCHRIJVING

KEN UW SNEEUWSCHUIVERBEVESTIGING (afb. A)

1. Deflector instelknop
2. As
3. Afdichtschroef
4. Dek
5. Deflector
6. Schraapbalk
7. Boor
8. Boorschacht
9. Binnenzeskantsleutel
10. Einddop

NL

MONTAGE

⚠ WAARSCHUWING: Als er onderdelen beschadigd zijn of ontbreken, gebruik dit product niet totdat alle onderdelen vervangen of aanwezig zijn. Dit product gebruiken met beschadigde of ontbrekende onderdelen kan ernstig persoonlijk letsel veroorzaken.

⚠ WAARSCHUWING: Probeer niet om dit product aan te passen of accessoires te maken die niet voor gebruik met dit product zijn aanbevolen. Een dergelijke aanpassing of wijziging is misbruik en kan leiden tot gevaar en een ernstig persoonlijk letsel.

UITPAKKEN

- Controleer het gereedschap grondig op mogelijke breuk of schade die zich tijdens het transport voorgedaan heeft.
- Gooi het verpakkingsmateriaal pas weg wanneer u het apparaat grondig hebt gecontroleerd en naar genoegen hebt gebruikt.

DE SNEEUWSCHUIVERBEVESTIGING AANSLUITEN OP DE MOTORKOP

Deze sneeuwschuiverbevestiging is ontworpen voor gebruik met de EGO motorkop PH1400E.

Zie het gedeelte "INSTALLEREN VAN TOEBEHOOR AAN DE MOTORKOP" in de gebruiksaanwijzing van de motorkop PH1400E.

HET TOEBEHOOR VAN DE MOTORKOP VERWIJDEREN

Zie het gedeelte "HET HULPSTUK VAN DE MOTORKOP VERWIJDEREN" in de gebruiksaanwijzing van de motorkop PH1400E.

GEBRUIK

⚠ WAARSCHUWING: Vertrouwdheid kan leiden tot onvoorzichtigheid. Opgelet, één seconde van onoplettendheid kan ernstig letsel teweegbrengen.

⚠ WAARSCHUWING: Draag altijd een veiligheidsbril (met zijschermen) en een gelaatsscherm als u dit product gebruikt. Het niet dragen van deze beschermingsuitrusting kan ertoe leiden dat voorwerpen in uw ogen terechtkomen of kan een ander ernstig letsel veroorzaken.

APPLICATIES

U kunt dit product gebruiken voor onderstaand vermeld doeleinde:

- Reinigen van kleine ruimtes en lichte werkomstandigheden zoals binnenplaatsen, wandelpaden en garages.

GEBRUIK VAN HET SNEEUWSCHUIVERBEVESTIGING MET MOTORKOP

⚠ WAARSCHUWING: Gebruik nooit sneeuwschuiverbevestigingen op bevroren meren, rivieren of soortgelijke oppervlakken. Dood of ernstig letsel kunnen het gevolg zijn als het ijs breekt.

⚠ WAARSCHUWING: Gebruik de sneeuwschuiverbevestiging nooit op een dak of een ander onstabiel oppervlak, wat de dood of ernstig letsel tot gevolg kan hebben.

⚠ WAARSCHUWING: Gebruik de sneeuwschuiverbevestiging niet op ijs, hierdoor kan de bediener uitglijden en vallen, wat mogelijk ernstig letsel tot gevolg kan hebben.

⚠ WAARSCHUWING: Draag geen los zittende kleding, sjaals of sieraden. Ze kunnen verstrikt raken in bewegende onderdelen en de dood of ernstig letsel tot gevolg hebben.

⚠ WAARSCHUWING: Richt de sneeuwschuiverbevestiging nooit in de richting van mensen of huisdieren. Weggeslingerde sneeuw of andere voorwerpen kunnen ernstig letsel veroorzaken.

⚠ WAARSCHUWING: Zorg ervoor dat het gebied vrij is van stenen, stokken, draden, grind en andere voorwerpen die per ongeluk door de sneeuwschuiverbevestiging in een willekeurige richting kunnen worden geslingerd en ernstig letsel bij de bediener of anderen kunnen veroorzaken.

Wanneer u de sneeuwschuiverbevestiging gebruikt, houdt u het gereedschap tijdens het gebruik dan stevig met beide handen vast (afb. C).

- Houd rekening met de windrichting voordat u begint. Indien rokening dient u de sneeuw in dezelfde richting als de wind weg te bewegen om te voorkomen dat sneeuw in uw gezicht wordt geblazen.
- Sommige delen van de sneeuwschuiverbevestiging kunnen onder extreme weersomstandigheden bevroren. Probeer het gereedschap niet te gebruiken met bevroren onderdelen.
- Als het gereedschap tijdens het gebruik in aanraking komt met een obstakel van welke soort dan ook, stop het dan en verwijder het accupack. Controleer het gereedschap zorgvuldig voor gebruik.
- Als het pak sneeuw te dik en dieper is dan de ontruimingsdiepte, kan het nodig zijn vaker dan een keer over een plek heen te gaan.

Als u klaar bent, laat u het gereedschap een paar minuten draaien om alle sneeuw de schroeftransporteur te laten verwijderen voordat u het opbergt.

HET GEREEDSCHAP STARTEN/STOPPEN

Zie het gedeelte “**STARTEN/STOPPEN VAN DE MOTORKOP**” in de gebruiksaanwijzing van de motorkop PH1400E.

DEFLECTOR INSTELKNOP (afb. D)

De uitwerprichting van deze sneeuwschuiverbevestiging kan worden gewijzigd door de afbuigknop naar links, naar voren of naar rechts te draaien.

Het maximale instelbereik van de knop is 60° (30° naar links of rechts).

De knop wordt vergrendeld wanneer deze zich in de meest linkse of meest rechtse positie bevindt. Druk op de knop en draai hem in tegengestelde richting om hem te ontgrendelen.

D-1	Vergrendelingsindicator
D-2	Deflector instelknop

ONDERHOUD

ALGEMEEN ONDERHOUD

Maak de kunststof onderdelen niet schoon met oplosmiddelen. De meeste kunststoffen kunnen worden beschadigd wanneer ze in contact komen met commerciële oplosmiddelen. Gebruik een schone doek voor het verwijderen van vuil, stof, olie, smeer, etc.

⚠ WAARSCHUWING: Als u de sneeuwschuiverbevestiging reinigt, dompel hem dan NIET in water of andere vloeistoffen.

MONTAGE EN DEMONTAGE VAN DE SCHRAAPBAK

1. Verwijder het accupack van de motorkop.
2. Leg de sneeuwschuiverbevestiging op zijn kant of op een andere geschikte positie voor onderhoud aan de schraapbalk.
3. Verwijder de vier schroeven aan de voorkant van de schraapbalk, evenals de twee schroeven aan beide uiteinden. Gebruik een schroevendraaier (niet meegeleverd) om ze los te draaien (afb. E & F).

E-1	Schraapbalk
-----	-------------

4. Vervang de versleten schraapbalk indien nodig door een nieuwe.
5. Om weer in elkaar te zetten, plaatst u een nieuwe schraapbalk, met de zes gaten uitgelijnd, steekt u de zes schroeven in de gaten en draait u ze vast met een schroevendraaier (niet inbegrepen).

SMEREN VAN DE VERSNELLING

De versnelling in de versnellingsbak dient regelmatig met smeervet voor versnellingen te worden gevet. Controleer het vetniveau van de versnellingsbak ongeveer alle 50 uur van gebruik door de vergrendelschroef aan de zijkant van de bak te verwijderen.

Als u geen vet meer ziet aan de zijkanten van de versnelling, dient u de onderstaande stappen te volgen voor het tot 3/4 bijvullen van het vet.

Vul de versnellingsbak niet helemaal.

1. Zet het toebehør rechtop zodat de vergrendelschroef naar boven is gericht (afb. G).

G-1	Tandwielkast
G-2	Afdichtschroef

2. Gebruik de meegeleverde multifunctionele sleutel en verwijder de vergrendelschroef.

3. Gebruik een vetspuit (niet inbegrepen) om een beetje vet in het schroefgat te spuiten; niet meer dan 3/4 van de capaciteit vullen.
4. Maak de vergrendelschroef na het injecteren weer vast.

TRANSPORT EN OPSLAG

- Haal het accupack uit het gereedschap.
- Maak het gereedschap grondig schoon voordat u het opbergt.

NL

Berg het gereedschap op in een droge, goed geventileerde en afsluitbare ruimte of op een hoge hoogte en buiten het bereik van kinderen. Berg het gereedschap niet op in de buurt van meststoffen, benzine of andere chemicaliën.

Het milieu beschermen



Voer elektrische apparaten niet via het huisvuil af, maar maak gebruik van de afzonderlijke inzamelpunten. Neem contact op met uw lokale overheid voor informatie over de beschikbare inzamelingsystemen.

Als elektrische apparaten op een vuilstort of vuilnisbelt terecht komen, kunnen gevaarlijke stoffen in het grondwater lekken en in de voedselketen komen wat schadelijk is voor uw gezondheid en welzijn.

PROBLEEMOPLOSSING

PROBLEEM	OORZAAK	OPLOSSING
De sneeuwschuiver start niet.	<ul style="list-style-type: none"> ■ Het accupack is leeg ■ De vergrendelknop of drukschakelaar is niet correct gebruikt. ■ De accu zit niet volledig in de behuizing. 	<ul style="list-style-type: none"> ■ Laad de accu op. ■ Volg het gedeelte "STARTEN/STOPPEN VAN DE MOTORKOP" in de handleiding voor de PH1400E. ■ Controleer of de accu volledig in de behuizing is geplaatst.
De machine is duidelijk beschadigd.	<ul style="list-style-type: none"> ■ Abnormale beschadiging tijdens het transport of gebruik. 	<ul style="list-style-type: none"> ■ Blijf het niet gebruiken, stuur het naar het aangewezen reparatiecentrum voor reparatie.
De sneeuwschuiver laat een dun laagje achter.	<ul style="list-style-type: none"> ■ De schraapbalk is versleten. 	<ul style="list-style-type: none"> ■ Vervang de schraapbalk.
Onverwachte uitschakeling tijdens het werk	<ul style="list-style-type: none"> ■ Overbelaste machine ■ Het accupack of de machine is oververhit. 	<ul style="list-style-type: none"> ■ Verminder de belasting van de machine. ■ Laat de accu of het gereedschap afkoelen voordat u gaat werken.

NL

GARANTIE

EGO GARANTIEBELEID

Bezoek alstublieft de website egopowerplus.com voor de volledige voorwaarden van het EGO garantiebeleid.

LÆS ALLE ANVISNINGER



LÆS BRUGERVEJLEDNINGEN

Læs, forstå og følg alle instruktioner på apparatet og i vejledningerne, inden apparatet tages i brug. Gør dig bekendt med styreknapperne, og hvordan maskinens bruges ordentligt. Du skal vide, hvordan man hurtigt stopper maskinen og afbryder styreknapperne.

⚠ Resterende risiko! Folk med elektroniske enheder, såsom pacemakere, skal spørge deres læge til råds, før de bruger dette produkt. Betjening af elektrisk udstyr i umiddelbar nærhed af et hjerte pacemaker kan forårsage forstyrrelser eller svigt af pacemakeren.

DK

⚠ ADVARSEL: For at sikre sikkerhed og pålidelighed bør alle reparationer og udskiftninger udføres af en kvalificeret servicetekniker.

SIKKERHEDSSYMBOLER

Formålet med sikkerheds- symboler er at tiltrække din opmærksomhed på mulige farer. Du skal være meget opmærksom på sikkerhedssymbolerne og forklaringerne til dem og lære at forstå dem. Symbolernes advarsler fjerner ikke i sig selv eventuelle farer. De anvisninger og advarsler, de giver ingen erstatninger for ordentlig forebyggelse af ulykker foranstaltninger.

⚠ ADVARSEL: Sørg for at læse og forstå alle sikkerhedsanvisninger i denne brugsanvisning, herunder alle sikkerhedssymboler, såsom **“FARE”**, **“ADVARSEL”** og **«FORSIGTIG”**, før du bruger dette værktøj. Hvis anvisningerne nedenfor ikke følges, kan det føre til elektrisk stød, brand og/eller alvorlig personskade.

SYMBOLERNES BETYDNING

ADVARSELSSYMBOL: Indikerer **FARE, ADVARSEL ELLER FORSIGTIG**, kan bruges sammen med andre symboler eller billeder.



⚠ ADVARSEL: Når elværktøjer bruges, er der altid en risiko for at genstande slynges ind i øjnene, som kan føre til alvorlige øjenskader. Inden du begynder elværktøj drift, altid bære beskyttelsesbriller eller sikkerhedsbriller med side skjolde og en fuld ansigtsskærm, når det er nødvendigt. Vi anbefaler en Wide Vision Safety Maske til brug over briller eller standard sikkerhedsbriller med sideskærme.

SIKKERHEDSANVISNINGER

Denne side viser og beskriver sikkerhedssymboler, der kan være på dette produkt. Læs, forstå, og følg alle anvisningerne på maskinen, før du forsøger at samle og betjene den.



Forholdsregler, der omfatter din sikkerhed.



For at mindske risikoen for skade skal brugeren læse brugervejledningen, inden produktet tages i brug.



Bær altid beskyttelsesbriller eller sikkerhedsbriller med side skjolde og en fuld ansigtsskærm, når du betjener dette produkt.



Brug ikke hænder til, at rengøre skakten.



Hold fødderne væk fra de drejende skovlhjul.



Må ikke bruges i regn og må ikke efterlades udenfor i regnvej.

CE Dette produkt er i overensstemmelse med gældende EU-direktiver.



Elektriske affaldsprodukter må ikke bortskaffes sammen med husholdningsaffald. Tag det til en godkendt genbrugsplads.

V Spænding

cm Centimeter

Jævnstrøm (DC)

UK CA Dette produkt er i overensstemmelse med lovgivningen i Storbritannien.

IPX4 Beskyttelse mod indtrængning af vand grad 4.

mm Millimeter

kg Kg

DK

GENERELLE SIKKERHEDSADVARSLER OM ELEKTRISKE APPARATER

⚠ ADVARSEL! Læs alle sikkerhedsadvarsler, anvisninger, illustrationer og specifikationer, der følger med dette elværktøj. Hvis anvisningerne nedenfor ikke følges, kan det føre til elektrisk stød, brand og/eller alvorlig personskade.

GEM ALLE ADVARSLER OG INSTRUKTIONER TIL FREMTIDIG REFERENCE.

Udtrykket "elværktøj" i advarslerne henviser til eldrevet (ledningsforbundet) og batteridrevet (ledningsfrit) elværktøj.

SIKKERHED PÅ ARBEJDSPLADSEN

- **Hold arbejdsområdet rent og godt oplyst.** Et rodet eller mørkt område kan føre til ulykker.
- **Brug ikke elværktøj i eksplosive atmosfærer, såsom ved tilstedeværelse af brændbare væsker, gasser eller støv.** Elværktøj kan slå gnister og antænde støv og dampe.
- **Hold børn og tilskuere på afstand, når et elværktøj er i brug.** Distraktioner kan medføre, at du mister kontrollen.

PERSONLIG SIKKERHED

- **Vær forsigtig, hold øje med hvad du laver, og brug din sunde fornuft, når du bruger et elværktøj.** Brug ikke apparatet, hvis du er træt eller er påvirket af narkotika, alkohol eller medicin. Et øjeblikks uopmærksomhed, kan føre til alvorlige personskader.
- **Brug personligt beskyttelsesudstyr. Brug altid beskyttelsesbriller.** Værnemidler, såsom støvmaske, skridsikre sikkerhedssko, hjelm eller høreværn, der anvendes under passende betingelser, nedsætter risikoen for personskade.

- **Forhindre utilsigtet start. Sørg for, at tænd/sluk-knappen er slukket, inden apparatet slutes til strømkilden eller batteripakken, samt inden det løftes op eller bæres rundt.** Hvis elværktøjet bæres med fingeren på kontakten, eller oplades med tænd/sluk-knappen tændt, øger det risikoen for ulykker.
- **Fjern indstillingsværktøj eller skruenøgler, før elværktøjet startes.** En skruenøgle eller en nøgle sidder i en roterende del af elektrisk værktøj, kan resultere i personskade.
- **Undgå at række for langt frem. Sørg altid for at stå ordentligt fast og i god balance.** Dette giver bedre kontrol af det elektriske værktøj når uventede situationer.
- **Brug passende tøj. Brug ikke løstsiddende tøj eller smykker. Hold dit hår, tøj og handsker fra bevægelige dele.** Løse tøj, smykker eller langt hår kan blive fanget i bevægelige dele.
- **Hvis der monteres tilbehør til opsamling af støv eller andet, skal det sikres, at disse monteres og bruges korrekt.** Anvendelse af støvanordninger kan mindske støvrelaterede risici.
- **Selvom du ofte bruger og har et godt kendskab til værktøjer, må du ikke være overmodig eller glemme sikkerhedsprincipperne.** En uagtsom handling kan forårsage alvorlig skade i en brøkdæl af et sekund.

BRUG OG PLEJE AF ELVÆRKTØJET

- **Elværktøjet må ikke tvinges under brug. Brug det korrekte elværktøj til formålet.** Det rigtige elværktøj gør arbejdet bedre og mere sikkert, da det er beregnet til formålet.
- **Brug ikke elværktøjet, hvis kontakten ikke kan tænde og slukke.** Alt elværktøj, hvor kontakten ikke dur, er farligt og skal repareres.

- Fjern batteriet, hvis aftagelig, fra elværktøjet, og/eller aktivér enheder, der slukker for batteriet, før du fjerner fastsiddende materiale, foretager justeringer, udskifter tilbehør, rengør elværktøj eller gemmer det væk. Sådanne forebyggende sikkerhedsforanstaltninger mindsker risikoen for at starte elværktøjet utilsigtet.
- Opbevar elværktøj, der ikke bruges, utilgængeligt for børn, og tillad ikke personer, der ikke kender elværktøjet eller disse anvisninger, at bruge elværktøjet. Elværktøj er farligt i hænderne på brugere, der ikke ved, hvordan det skal bruges.
- Vedligehold elværktøj og tilbehør. Kontroller, at de bevægelige dele ikke er fejljusterede eller binder eller er i en tilstand, der kan påvirke elværktøjets drift. Få beskadigede elværktøjet repareret før brug. Mange ulykker er forårsaget af dårligt vedligeholdt elværktøj.
- Hold skæreværktøj skarpe og rene. Skæreværktøjer med skarpe kanter, der vedligeholdes ordentligt, er mindre tilbøjelige til at binde og er lettere at styre.
- Elværktøjet, tilbehør og bits osv. skal bruges i overensstemmelse med disse instruktioner, hvor arbejdsforholdene og arbejdet, der skal udføres, skal tages i betragtning. Anvendelse af elværktøj til andre formål end dem, de er beregnet til, kan medføre en farlig situation.
- Hold håndtag og gribeblader tørre, rene og fri for olie og fedt. Glatte håndtag og glatte overflader, der holdes i, gør værktøjet farligt at bruge i uventede situationer.
- Hold ledningerne væk fra værktøjets arbejdsområde. Under drift kan kablet være ude af syne og kan utilsigtet blive beskadiget af værktøjet.

BRUG OG PLEJE AF BATTERIVÆRKTØJER

- Genoplad kun med opladeren er angivet af fabrikanten. Hvis en oplader, der er egnet til én slags batteri, bruges med en anden slags batteri, kan det føre til brand.
- Anvend kun elektrisk værktøj med særligt udpegede batteripakker. Brug af andre batterier kan skabe risiko for personskade og brand.
- Når batteripakken ikke er i brug, skal den holdes væk fra andre metalgenstande som papirclips, mønter, nøgler, søm, skruer eller andre små metalgenstande, der kan skabe forbindelse fra en pol til en anden. Shorting batteripolerne sammen kan forårsage forbrændinger eller brand.
- Ved forkert anvendelse kan der slippe væske ud af batteriet: Undgå kontakt. Hvis det alligevel skulle ske, skal området skylles med vand. Hvis væsken kommer i øjnene, skal man søge læge. Væske fra batteriet kan

forårsage irritation eller forbrændinger.

- Anvend ikke et batteri eller et værktøj, der er beskadiget eller modificeret. Beskadigede eller modificerede batterier kan opføre sig uforudsigeligt og forårsage brand, eksplosion eller risiko for personskade.
- Udsæt ikke et batteri eller et værktøj for ild eller for høj temperatur. Udsættelse for ild eller temperaturer over 100°C kan forårsage eksplosion.
- Følg alle anvisninger vedrørende opladning, og oplad ikke batteriet eller værktøjet uden for temperaturområdet, der står i anvisningerne. Forkert opladning eller temperaturer uden for det angivne område kan beskadige batteriet og øge risikoen for brand.

SERVICE

- Dit elværktøj skal repareres af en kvalificeret person, og der må kun bruges identiske reservedele. På denne måde sikrer man, at elværktøjet forbliver sikkert at bruge.
- Udfør aldrig selv service på beskadigede batterier. Service på batterier må kun udføres af producenter eller godkendte servicecentre.

⚠ ADVARSEL! Læs alle sikkerhedsadvarsler, anvisninger, illustrationer og specifikationer, der følger med dette elværktøj. Hvis anvisningerne nedenfor ikke følges, kan det føre til elektrisk stød, brand og/eller alvorlig personskade. Gem alle advarsler og instruktioner til fremtidig reference.

Gem alle advarsler og instruktioner til fremtidig reference.

UDDANNELSE

- Læs, forstå og følg alle instruktioner på apparatet og i vejledningerne, inden værktøjet tages i brug. Gør dig bekendt med styreknapperne, og hvordan udstyret bruges ordentligt. Du skal vide, hvordan man hurtigt stopper værktøjet og afbryder styreknapperne.
- Lad aldrig børn betjene udstyret. Voksne, som ikke er blevet vejledt ordentligt i hvordan udstyret bruges, må ikke bruge udstyret.
- Hold området, hvor udstyret bruges, fri for andre personer, særligt små børn.
- Vær forsigtig for at undgå at glide eller falde, især når du kører baglæns med sneskovtilbehøret.

FORBEREDELSE

- Brug aldrig maskinen i nærheden af andre, især børn og kæledyr.

- Bær altid øjenbeskyttelse og solide sko, mens du betjener apparatet.
- Afstanden mellem apparatet og omkringstående skal være mindst 15 m.
- Betjen aldrig maskinen, hvis du er træt, syg eller påvirket af alkohol eller andre midler.
- Undersøg grundigt området, hvor udstyret skal bruges, og fjern evt. dørmåtter, slæder, brædder, kabler og andre fremmedlegemer.
- Brug ikke udstyret uden passende vinterbeklædning. Undgå løstsiddende tøj, der kan komme i klemme i bevægelige dele. Brug fodtøj, der forbedrer dit fodfæste på glatte overflader.
- Brug altid beskyttelsesbriller eller skjærm, når maskinen bruges og når maskinen justeres eller repareres, for at beskytte øjnene mod fremmedlegemer, der kan slynges fra maskinen.
- Brug forlængerledninger og stik, som angivet af producenten til alle enheder med elektriske startmotorer.
- Forsøg aldrig at lave nogen justeringer, når motoren kører (undtagen hvis det specifikt er anbefalet af producenten).

BETJENING

- Dine hænder eller fødder må ikke komme i nærheden af eller under drejende dele. Hold dig altid væk fra udstødningen.
- Vær meget forsigtig, når du kører på eller krydser indkørsler, fortorv og veje med grus. Vær opmærksom på skjulte farer og trafik.
- Hvis du rammer et fremmedlegeme, skal du stoppe motoren, fjerne batteripakkerne, se sneskovtilbehøret efter for skader, og reparér skaderne, før sneskovtilbehøret startes og bruges igen.
- Hvis udstyret skulle begynde at vibrere unormalt, skal du stoppe motoren og finde årsagen. Vibration er generelt en advarsel om problemer.
- Stop motoren, når du forlader stedet, hvor udstyret bruges, før du rengør kabinettet med sneglen og når du foretager reparationer, justeringer eller eftersyn.
- Vær forsigtig, hvis maskinen bruges på skråninger.
- Brug aldrig sneskovtilbehøret uden skjærmene og andre beskyttelsesanordninger, som skal være ordentligt på plads og i god stand.
- Ret aldrig udstødningen mod personer eller områder, hvor der kan forekomme skade på ejendom. Hold børn og andre væk.

- Overbelast ikke maskinens kapacitet ved, at forsøge at rydde sne med for hurtig hastighed.
- Sneskovtilbehøret må aldrig bruges på høje transporthastigheder på glatte overflader. Se bagpå og vær forsigtig, når du kører baglæns.
- Brug kun tilbehør, der er godkendt af producenten af sneskovtilbehøret (f.eks. skraber-stangen).
- Sneskovtilbehøret må aldrig bruges uden godt udsyn eller lys. Sørg altid for, at have ordentlig fodfæste, og hold et fast greb om håndtagene. Gå. Du må aldrig løbe.
- Udsæt ikke et batteri eller et værktøj for ild eller for høj temperatur. Udsættelse for ild eller temperaturer over 100°C kan forårsage eksplosion.
- Produktet må kun bruges med batteripakkerne og opladerne, der står på listen i fig. B

SÅDAN RYDDES EN TILSTOPPET SNEGL

Håndkontakt med den drejende snegle-samling er den mest almindelige årsag til personskader forbundet med sneskovtilbehør. Brug aldrig hånden til, at rengøre den drejende snegle-samling.

Sådan ryddes snegle-samlingen:

- **SLUK VÆRKTØJET!**
- Fjern batteripakken fra værktøjet.
- Vent 10 sekunder for at være sikker på, at sneglen er holdt helt op med at dreje.
- Brug altid værktøjet til rengøring af sneglen, som sidder på maskinen. Brug ikke hånden

VEDLIGEHOLDELSE OG OPBEVARING

- Kontroller regelmæssigt, at alle bolte og fastgørelseselementer er ordentligt spændt, for at sikre at udstyret er i sikker driftstilstand.
- Læs altid de vigtige oplysninger i brugsvejledningen, hvis sneskovtilbehøret skal opbevares i en længere periode.
- Vedligehold og skift sikkerheds- og instruktionsetiketterne, hvis nødvendigt.
- Kør maskinen et par minutter, så sneglen ikke fryses fast.

GEM DISSE VEJLEDNINGER. Brug dem regelmæssigt, og brug dem til at instruere andre, der skal bruge dette værktøj. Hvis du låner dette apparat til en anden, skal disse vejledninger følge med, så produktet ikke misbruges og eventuelle skader undgås.

SPECIFIKATIONER

Nominal spænding	56 V	
Hastighed ubelastet	1420±10% rpm 1750±10% rpm	
Rydningbredde	30 cm	
Slyngeafstand	Op til 7,5 m	
Højde på indtag	15 cm	
Anbefalet drifttemperatur	-10-10°C	
Anbefalet opbevaringstemperatur *Til apparatet UDEN batteripakke	-20-70°C	
Vægt	5,2 kg	
Målt lydeffektniveau L_{WA}	98 dB(A) K=2,3 dB(A)	
Lydtryk ved brugerens øre L_{TPA}	90 dB(A) K=2,5 dB(A)	
Garanteret lydeffekt L_{WA} (målt i henhold til 2000/14/EF)	100 dB(A)	
Vibrationsværdi a_h :	Forreste støtte- håndtag	4,4 m/s ² K=1,5 m/s ²
	Baghåndtag	3,9 m/s ² K=1,5 m/s ²

- Ovenstående parametre er blevet testet og målt under anvendelse af motordel PH1400E.
- Den samlede erklærede vibrationsværdi er målt i overensstemmelse med en standard testmetode, og den kan bruges til at sammenligne et værktøj med et andet;
- Den samlede angivne vibrationsværdi kan også bruges ved en foreløbig vurdering af eksponeringen.

BEMÆRK: Vibrationsemissionen ved faktisk brug af elværktøjet kan afvige fra den angivne værdi, hvor værktøjet bruges. For at beskytte brugeren, skal brugeren bruge handsker og høreværn i de faktiske brugsforhold.

LISTE OVER DELE I PAKKEN (FIG. A)

BESKRIVELSE

LÆR DIT SNESKOVLTILBEHØR AT KENDE (Fig. A)

1. Knop til justering af skærmen
2. Aksel
3. Lukkeskrue

4. Dæk
5. Skærm
6. Skraber-stang
7. Snegl
8. Akslen til sneglen
9. Unbrakonøgle
10. Endedæksel

SAMLING

⚠ ADVARSEL: Hvis der er dele, der er beskadigede eller mangler, anvendes apparatet ikke, før delene er udskiftet. Brug af dette produkt med beskadigede eller manglende dele kan medføre alvorlig personskade.

⚠ ADVARSEL: Forsøg ikke at ændre dette produkt eller fremstille tilbehør, der ikke anbefales til brug med dette produkt. Enhver sådan ændring eller modifikation er misbrug og kan resultere i en farlig situation og føre til eventuel alvorlig personskade.

UDPAKNING

- Undersøg værktøjet omhyggeligt for at sikre, at der ikke er blevet beskadiget under forsendelse.
- Smid ikke emballagen ud, før værktøjet er blevet set nøje efter og du ved det virker ordentligt.

MONTERING AF SNESKOVLTILBEHØRET PÅ MOTORDELEN

Dette sneskovtilbehør er beregnet til brug med EGO Motordel PH1400E.

Se afsnittet "MONTERING AF TILBEHØR PÅ MOTORDEL" i brugsanvisningen til motordel PH1400E.

AFTAGNING AF TILBEHØRET PÅ MOTORDELEN

Se afsnittet "AFTAGNING AF TILBEHØRET PÅ MOTORDELEN" i brugsanvisningen til motordel PH1400E.

BETJENING

⚠ ADVARSEL: Lad ikke fortrolighed med dette produkt gøre dig skodesløs. Husk på, at det kan føre til alvorlige skader, hvis du ikke er opmærksom i blot et sekund.

⚠ ADVARSEL: Brug altid beskyttelsesbriller eller sikkerhedsbriller med side skjolde og en fuld ansigtsskærm, når du betjener dette produkt. Hvis disse ikke bruges, kan du få genstande slyngt i øjnene, og der kan også opstå andre alvorlige skader.

ANVENDELSER

Du kan bruge dette produkt til de formål, der er nævnt nedenfor:

- Rydning af små områder og lette arbejdsforhold som gårde, gangbroer og garager.

BRUG AF SNESKOVILTILBEHØRET PÅ MOTORDELEN

⚠ ADVARSEL: Et sneskovtilbehør må aldrig bruges på frose søer, floder eller lignende overflader. Hvis der går hul i isen, kan det føre til dødsfald eller seriøse skader.

⚠ ADVARSEL: Sneskovtilbehøret må aldrig bruges på et tag eller andre ustabile overflader, da dette kan føre til dødsfald eller seriøse skader.

⚠ ADVARSEL: Sneskovtilbehøret må ikke bruges på is, da brugeren kan glide og falde, hvilket kan føre til seriøse personskader.

⚠ ADVARSEL: Undgå, at bære løstsiddende tøj, halstørklæder eller smykker. Disse kan komme i klemme i bevægelige dele, hvilket kan føre til dødsfald eller seriøse personskader.

⚠ ADVARSEL: Ret aldrig sneskovtilbehøret i retning af mennesker eller kæledyr. Sne og andre genstande, der slynges ud af apparatet, kan føre til alvorlige personskader.

⚠ ADVARSEL: Sørg for, at områder, der skal ryddes, er fri for sten, pinde, ledninger, grus og andre genstande, der ved et uheld kan slynges ud af sneskovtilbehøret i alle retninger og forårsage alvorlige personskader på brugeren og andre personer.

Når du bruger sneskovtilbehøret, skal du holde værktøjet fast med begge hænder, når det kører (fig. C).

- Vær opmærksom på vindens retning, inden du begynder. Prøv at blæse sneen i samme retning som vinden, så den ikke blæses tilbage i ansigtet på dig.
- Nogle dele af sneskovtilbehøret kan fryse fast i ekstreme vejrforhold. Forsøg ikke at bruge værktøjet med fastfrosne dele.
- Hvis værktøjet kommer i kontakt med nogen former for forhindringer under drift, skal du stoppe det og tage batteripakken ud. Kontroller værktøjet omhyggeligt inden brug.
- Hvis sneen er for tyk og dybere end rydningsdybden, skal den muligvis ryddes over flere gange.

Når du er færdig, skal du lade værktøjet køre i et par minutter,

så al sneen ryddes af sneglen, før den gemmes væk.

START/STOP AF VÆRKTØJET

Se afsnittet **"START/STOP AF MOTORDELEN"** i brugsanvisningen til motordel PH1400E.

KNOP TIL JUSTERING AF SKÆRMEN (Fig. D)

Udstødningsretningen på dette sneskovtilbehør kan ændres ved, at dreje justeringsknoppen til skærmen til venstre, fremad eller til højre.

Knoppens maksimale justeringsområde er 60° (30° til venstre eller højre).

Knoppen låses, når den drejes helt til venstre eller højre. Tryk på knoppen og drej den tilbage for, at låse den op.

D-1	Lås-indikator
D-2	Knop til justering af skærmen

VEDLIGEHOLDELSE

GENEREL VEDLIGEHOLDELSE

Undgå, at bruge opløsningsmidler til rengøring af plastdele. De fleste plastmaterialer risikerer at blive ødelagt, ved brug af forskellige slags alment tilgængelige opløsningsmidler. Brug rene klude til at fjerne snavs, støv, olie, fedt osv.

⚠ ADVARSEL: Sneskovtilbehøret må IKKE nedsænkes i vand eller andre væsker, når det rengøres.

MONTERING OG AFMONTERING AF SKRABER-STANGEN

1. Tag batteripakken ud af motordelen.
2. Læg sneskovtilbehøret på siden eller en vilkårlig praktisk position, når skraber-stangen skal serviceres.
3. Fjern de fire skrue på forsiden af skraber-stangen, og de to skrue i begge ender. Brug en skruetrækker (medfølger ikke) til at skrue dem af (fig. E & F).

E-1	Skraber-stang
-----	---------------

4. Skift den slidte skraber-stang med en ny, hvis nødvendigt.
5. For at sætte en ny skraber-stang på, skal du sætte den i med de seks huller på linje med hinanden. Sæt de seks skrue i hullerne og spænd dem med en skruetrækker (medfølger ikke).

TRANSMISSIONSGEARENES SMØRING

Transmissionsgearene i gearkassen skal smøres regelmæssigt med gearfedt. Kontrollér oliestanden i gearkassen før hver ca. 50 timers drift ved at fjerne tætnings skrue på siden af gearkassen.

Hvis der ikke er fedt på siderne af gearet, skal du følge trinnene nedenfor for at fylde 3/4 op med fedt.

Gearkassen må ikke fyldes helt op.

1. Stil tilbehøret på højkant, så tætnings skruen vender opad (fig. G).

G-1	Gearkasse
G-2	Lukkeskrue

DK

2. Brug multifunktions-skruenøglen til at løsne og fjerne låseskruen.
3. Brug en fedtsprøjte (medfølger ikke) til at pumpe fedt ind i skruehullet; fyld op til højst 3/4 af kapaciteten.
4. Når der er presset fedt ind, spændes låseskruen.

TRANSPORT OG OPBEVARING

- Fjern batteripakken fra værktøjet.
- Rengør værktøjet grundigt, før det lægges væk.

Opbevar værktøjet på et tørt og godt ventileret sted, der er låst og utilgængeligt for børn. Opbevar ikke værktøjet på eller ved siden af kunstgødning, benzin eller andre kemikalier.

Beskyttelse af miljøet



Elektriske apparater må ikke bortskaffes som usorteret kommunalt affald. De skal bortskaffes på genbrugspladser. Kontakt de lokale myndigheder for oplysninger vedrørende mulige indsamlingssystemer.

Hvis elektriske apparater smides på lossepladsen eller affaldsdeponier, kan der sive giftige stoffer ned i grundvandet og komme ud i fødekæden og gøre skade på menneskers sundhed og velfærd.

FEJLFINDING

PROBLEM	ÅRSAG	LØSNING
Sneskovlen starter ikke.	<ul style="list-style-type: none"> ▪ Batteripakken er brugt op ▪ Låseknappen eller afbryderkontakten er ikke blevet brugt rigtigt. ▪ Batteriet er ikke sat helt ind i kabinettet. 	<ul style="list-style-type: none"> ▪ Oplad batteriet. ▪ Følg afsnittet "START/STOP AF MOTORDELEN" i vejledningen til PH1400E. ▪ Se, om batteriet er sat helt ind i kabinettet.
Maskinen er beskadiget.	<ul style="list-style-type: none"> ▪ Usædvanlig beskadigelse under transport eller brug. 	<ul style="list-style-type: none"> ▪ Værktøjet må ikke længere bruges. Send det til det udpegede reparationscenter for reparation.
Sneskovlen efterlader et tyndt lag.	<ul style="list-style-type: none"> ▪ Skraber-stangen er slidt. 	<ul style="list-style-type: none"> ▪ Skift skraber-stangen.
Maskinen lukker uventet ned under drift	<ul style="list-style-type: none"> ▪ Maskinen er overbelastet ▪ Batteripakken eller maskinen er overophedet. 	<ul style="list-style-type: none"> ▪ Reducer maskinens belastning. ▪ Afkøl batteripakken eller værktøjet, før maskinen bruges.

DK

GARANTI

EGO GARANTI POLITIK

Besøg venligst hjemmesiden egopowerplus.com for fuldstændige vilkår og betingelser for EGO's garantipolitik.

LÄS IGENOM ALLA INSTRUKTIONER



LÄS IGENOM BRUKSANVISNINGEN

Läs igenom, förstå och följ alla instruktioner på maskinen och i manualerna innan denna enhet används. Bekanta dig med kontrollerna och korrekt användning av maskinen. Veta hur enheten stoppas och avaktivera kontrollerna snabbt.

⚠ Dolda risker! Personer med elektroniska enheter såsom pacemaker skall rådfråga sin läkare innan denna produkt används. Användning av elektronisk utrustning i närheten av en pacemaker kan orsaka störningar eller fel på pacemakern.

⚠ VARNING: För att garantera säkerheten och pålitligheten skall alla reparationer och utbyten utföras av en kvalificerad servicetekniker.

SE

SÄKERHETSSYMBOLER

Syftet med säkerhetssymboler är att uppmärksamma eventuella faror. Säkerhetssymbolerna och förklaringarna av dessa kräver din fullständiga uppmärksamhet och förståelse. Symbolvarningarna i sig eliminerar inte några faror. Instruktionerna och varningarna som ges är inte något substitut för korrekta åtgärder för förhindrande av olyckor.

⚠ VARNING: Var noga med att läsa igenom och förstå alla säkerhetsinstruktioner i denna bruksanvisning, inklusive alla varningssymboler såsom **"FARA"**, **"VARNING"** och **"FÖRSIKTIGHET"** innan detta verktyg används. Underlåtenhet att läsa alla instruktioner som listas nedan kan resultera i elektrisk stöt, brand och/eller allvarlig personskada.

SYMBOLBETYDELSE

SÄKERHETSLARMSYMBOL: Indikerar **FARA**, **VARNING** eller **FÖRSIKTIGHET**, kan användas tillsammans med andra symboler eller bilder.



⚠ VARNING: Användning av något elverktyg kan resultera i att främmande föremål kastas in i dina ögon vilket kan resultera i allvarliga ögonskador. Innan elverktyget börjar användas skall alltid skyddsglasögon eller skyddsglasögon med sidoskydd och full ansiktsskydd användas när så behövs. Vi rekommenderar att en ansiktsmask med brett synfält används ovanpå glasögonen eller standard skyddsglasögon med sidoskydd.

SÄKERHETSINSTRUKTIONER

Denna sida framställer och beskriver säkerhetssymboler som kan visas på denna produkt. Läs igenom, förstå och följ alla instruktioner på maskinen innan försök görs att montera och hantera den.



Åtgärder som involverar din säkerhet.



Använd alltid skyddsglasögon eller säkerhetsglasögon med sidoskydd och en full ansiktsmask när denna produkt används.



Håll fötterna borta från det roterande pumphjulet.



Denna produkt är i enlighet med gällande EG-direktiv.



För att minska risken för personskador måste användaren läsa igenom och förstå bruksanvisningen innan denna produkt används.



Använd inte händerna för att rensa rännan.



Använd den inte vid regn och lämna den inte utomhus om det regnar.



Denna produkt uppfyller tillämpliga lagar i Storbritannien.



Förbrukade elektriska produkter får inte kastas i hushållssoptorna. Lämna in dem till en auktoriserad återvinningsstation.

V Spänning

cm Centimeter

☐☐☐ Likström

IPX4 Skyddar mot inträngande av vatten grad 4

mm Millimeter

kg Kilogram

ALLMÄNNA SÄKERHETSVARNINGAR FÖR ELVERKTYG

⚠ VARNING! Läs igenom alla säkerhetsvarningar, instruktioner, illustrationer och specifikationer som medföljer detta motordrivna verktyg. Underlåtenhet att följa alla instruktioner som listas nedan kan resultera i elektriska stötar, brand och/eller allvarliga personskador.

SPARA ALLA VARNINGAR OCH INSTRUKTIONER FÖR FRAMTIDA REFERENS.

Termen "elverktyg" i varningarna syftar på ditt starkströmsdrivna (sladdanslutna) elverktyg eller batteridrivna (sladdlösa) elverktyg.

ARBETSPLATSSÄKERHET

- **Håll arbetsområdet rent och väl upplyst.** Belamrade eller mörka områden inbjuder till olyckor.
- **Använd inte elverktyg i explosiva miljöer som t.ex. i närvaron av brandfarliga vätskor, gaser eller damm.** Elverktyg skapar gnistor vilka kan antända dammet eller ångorna.
- **Håll barn och åskådare borta medan elverktyget arbetar.** Störningarna kan göra att du tappar kontrollen.

PERSONLIG SÄKERHET

- **Var uppmärksam och observant samt använd sunt förnuft när du använder ett elverktyg. Använd inte ett elverktyg om du är trött eller under påverkan av droger, alkohol eller medicin.** Ett ögonblick av ouppmärksamhet under arbete med elverktyg kan resultera i allvarliga personskador.
- **Använd personlig skyddsutrustning. Använd alltid skyddsglasögon.** Minska risken för personskador genom att använda skyddsutrustning som t.ex. ansiktsmask, halkfria skyddsskor, hjälm och hörselskydd.
- **Förebygg oavsiktlig igångsättning. Se till att strömbrytaren är i frånläge innan du ansluter till strömkällan och/eller batteripaketet, plockar upp eller bär verktyget.** Att bära elverktyget med fingret på strömbrytaren eller verktyg som är påslagna inbjuder till olyckor.

- **Ta bort inställningsnycklar eller skiftnycklar innan elverktyget slås på.** En skiftnyckel eller en nyckel som sitter kvar på en roterande del av elverktyget kan resultera i personskada.
- **Sträck dig inte för långt. Ha ordentligt fotfäste och balans hela tiden.** Detta möjliggör bättre kontroll av elverktyget i oväntade situationer.
- **Klä dig på lämpligt sätt. Använd inte löst sittande kläder eller smycken.** Håll ditt hår, kläder och handskar borta från rörliga delar. Löst sittande kläder, smycken och långt hår kan fastna i rörliga delar.
- **Om enheter har anslutning för dammuppsamlare och anslutningsmöjligheter, se till att de är anslutna och används på korrekt sätt.** Användning av dammuppsamlare kan minska dammrelaterade faror.
- **Var alltid uppmärksam vid användning av verktyget, även efter många användningstillfällen, och ignorera inte verktygets säkerhetsprinciper.** En vårdslös handling kan orsaka allvarliga personskador inom bråkdelen av en sekund.

ANVÄNDNING OCH SKÖTSEL AV ELVERKTYG

- **Tvinga inte elverktyget. Använd ett korrekt elverktyg för ditt arbete.** Ett korrekt elverktyg utför jobbet bättre och säkrare om det används för rätt arbete.
- **Använd inte elverktyget om strömbrytaren inte kan slås på eller stängas av.** Ett elverktyg som inte kan kontrolleras med strömbrytaren är farligt och måste repareras.
- **Ta bort batteripaketet (om löstagbart) från elverktyget och/eller aktivera eventuell fränkopplingsenhet för batteriet innan material som fastnat tas bort, justeringar, utbyte av tillsatser, rengöring och förvaring av elverktyg.** Dessa förebyggande säkerhetsåtgärder minskar risken för att elverktyget startas oavsiktligt.

- **Förvara elverktyg som går på tomgång utom räckhåll för barn och låt inte personer som är ovana med elverktyget eller dessa instruktioner använda elverktyget.** Elverktyg är farliga i händerna på utbildade användare.
- **Underhåll av elverktyg och tillbehör.** Kontrollera felinställningar eller om rörliga delar har fastnat, bristning hos delar och andra eventuella förhållanden som kan komma att påverka elverktygets funktion. Om skadad, lämna in elverktyget för reparation innan det används. Många olyckor beror på dåligt underhållna elverktyg.
- **Håll kapverktyg vassa och rena.** Ordentligt underhållna kapverktyg med vassa sågkanter är mindre sannolika att fastna och är lättare att kontrollera.
- **Använd elverktyget, tillbehör, verktygsbits osv. i enlighet med dessa instruktioner och ta hänsyn till arbetsförhållanden och det arbete som ska utföras.** Om elverktyget används för andra arbeten än det är avsett för kan det resultera i farliga situationer.
- **Håll handtagen och greppytan torra, rena och fria från olja och fett.** Hala handtag och greppytor förhindrar säker hantering och kontroll av verktyget vid oväntade situationer.
- **Håll kablar på avstånd från verktygets arbetsområde.** Kablar kan vara dolda under användning av verktyget och oavsiktligt skadas.

ANVÄNDNING OCH SKÖTSEL AV BATTERIDRIVET VERKTYG

- **Ladda endast med den laddare som rekommenderas av tillverkaren.** En laddare som är lämplig för en typ av batteripaket kan skapa en risk för brand när den används med ett annat batteripaket.
- **Använd endast elverktyg med deras särskilt avsedda batteripaket.** Användning av andra batteripaket kan medföra risk för personskador och eld.
- **När batteripaketet inte används, håll det borta från metallobjekt som t.ex. pappersgem, mynt, nycklar, spikar, skruvar och andra små metallobjekt som kan bilda en anslutning från en batterikontakt till den andra.** Kortslutning av batteriets terminaler kan orsaka brännskador eller en brand.
- **Under olämpliga förhållanden kan vätska spruta ut från batteriet. Undvik kontakt. Vid oavsiktlig kontakt, spola med vatten. Om vätskan kommer i kontakt med ögonen, sök också läkarhjälp.** Vätska som sprutar ur batteriet kan orsaka sveda och brännskador.
- **Använd inte ett batteripaket eller verktyg som skadats eller modifierats.** Skadade eller modifierade batterier kan leda till oförutsägbart uppträdande som

leder till brand, explosion eller risk för personskador.

- **Utsätt inte batteripaketet eller verktyget för eld eller extrema temperaturer.** Exponering av eld eller temperaturer över 100°C kan orsaka explosion.
- **Följ alla laddningsinstruktioner och ladda inte batteripaketet eller verktyget utanför det temperaturområde som anges i instruktionerna.** Felaktig laddning eller vid temperaturer utanför angivet temperaturområde kan skada batteriet och ökar risken för brand.

SERVICE

- **Lämna ditt elverktyg för service hos en kvalificerad servicetekniker som endast använder identiska utbytesdelar.** Det garanterar att säkerheten hos elverktygets bibehålls.
- **Utför aldrig service på skadade batteripaket.** Service av batteripaket bör endast utföras av tillverkaren eller auktoriserade serviceverkstäder.

⚠ VARNING! Läs igenom alla säkerhetsvarningar, instruktioner, illustrationer och specifikationer som medföljer detta motordrivna verktyg. Underlåtenhet att följa alla instruktioner som listas nedan kan resultera i elektriska stötter, brand och/eller allvarliga personskador. Spara alla varningar och instruktioner för framtida referens

Spara alla varningar och instruktioner för framtida referens

UTBILDNING

- Läs igenom, förstå och följ alla instruktioner på maskinen och i manualerna innan detta verktyg används. Bekanta dig med kontrollerna och korrekt användning av utrustningen. Veta hur enheten stoppas och avaktivera kontrollerna snabbt.
- Låt aldrig barn använda utrustningen. Låt aldrig vuxna använda utrustningen utan korrekta instruktioner.
- Håll arbetsområdet fritt från alla personer, särskilt små barn.
- Var försiktig för att undvika att du halkar eller ramlar, särskilt när snöskoveltillsatsen körs baklänges.

FÖRBEREDELSE

- Använd aldrig maskinen när personer, i synnerhet barn, eller husdjur är i närheten.
- Använd alltid ögonskydd och kraftiga skor vid användning av maskinen.
- Avståndet mellan maskinen och åskådare måste vara minst 15 meter.

- Använd aldrig maskinen om du är trött, sjuk eller under påverkan av alkohol eller andra droger.
- Undersök noga området där utrustningen ska användas och ta bort alla stenar, pinnar, trådar, ben och andra främmande föremål.
- Använd inte utrustningen utan att använda adekvat vinterkläder. Undvik löst sittande kläder som kan fastna i rörliga delar. Använd skor som förbättrar ditt fotfäste på hala ytor.
- Använd alltid säkerhetsglasögon eller skyddsglasögon under arbetet och när justeringar eller reparationer utförs för att skydda ögonen från främmande föremål som kan kastas iväg av maskinen.
- Använd förlängningssladdar och uttag som specificerats av tillverkaren för alla enheten med elektriska startmotorer.
- Försök aldrig att göra några justeringar medan motorn körs (förutom de som specifikt rekommenderas av tillverkaren).

DRIFT

- Placera inte händer eller fötter i närheten eller under roterande delar. Håll utkastaröppningen ren hela tiden.
- Var extremt försiktig vid arbeten på eller när vägar, gångvägar eller gator korsas. Var uppmärksam på dolda faror eller trafik.
- Om ett främmande föremål träffas, stoppa motorn, ta bort batteripaketet och inspektera noga snöskoveltillsatsen för att se om den har skadats och reparera skadorna innan snöslungan startas och används igen.
- Om enheten börjar vibrera onormalt, stoppa motorn och kontrollera omedelbart orsaken. Vibrationer är vanligtvis en varning för problem.
- Stoppa motorn närhelst du lämnar arbetspositionen, innan rensning av inmatningsskruvens kåpenhet och när några reparationer, justeringar eller inspektioner skall göras.
- Var extra försiktig vid arbeten i sluttningar.
- Använd aldrig snöskoveltillsatsen utan lämpliga skydd och andra fungerande skyddsanordningar på plats.
- Rikta aldrig utkastaren mot personer eller områden där egendomsskador kan uppstå. Håll barn och andra borta.
- Överbelasta inte maskinens kapacitet genom att försöka rensa bort snö alltför snabbt.
- Använd aldrig snöskoveltillsatsen vid höga transporthastigheter på hala ytor. Titta bakom dig och var försiktig när du arbetar i riktning bakåt.
- Använd endast tillbehör och tillbehör som godkänts av tillverkaren av snöskoveltillsatsen (t.ex. skrapstången).
- Använd aldrig snöskoveltillsatsen vid dålig sikt eller svagt ljus. Ha alltid ett säkert fotfäste och ha ett fast grepp om handtagen. Gå, spring aldrig.
- Utsätt inte batteripaketet eller verktyget för eld eller extrema temperaturer. Exponering av eld eller temperaturer över 100°C kan orsaka explosion.
- Använd endast med de batteripaket och laddare som listas i bild B:

RENGÖRING AV EN TILLSTÄNGANDE AUGER MONTERING

Handkontakt med det roterande skruvaggregatet är den vanligaste orsaken till skada i samband med snöskoveltillsatsen. Använd aldrig handen för att rengöra den roterande skruven.

Så här rensar du skruvenheten:

- STÄNGA AV VERKTYGET!
- Ta ut batteripaketet från verktyget.
- Vänta 10 sekunder för att vara säker på att skruven har slutat att rotera.
- Använd alltid utkastarens rengöringsverktyg som är bifogad maskinen som ett tillbehör, använd inte handen.

UNDERHÅLL OCH FÖRVARING

- Kontrollera regelbundet alla bultar och fästelement att de är korrekt åtdragna för att vara säker på att utrustningen är säker att använda.
- Referera alltid till bruksanvisningen för viktiga detaljer om snöskoveltillsatsen skall förvaras under en längre period.
- Behåll eller ersätt säkerhets- och instruktionsetiketter när så behövs.
- Kör maskinen några minuter för att förhindra att skruvmonteringen fastnar.

SPARA DESSA INSTRUKTIONER. Läs igenom dem regelbundet och använd dem för att instruera andra som kan komma att använda detta verktyg. Om du lånar ut detta verktyg till någon annan låna då också ut dessa instruktioner för att förhindra missbruk av produkten och eventuella skador.

SPECIFIKATIONER

Märkspänning	56 V	
Ingen belastningshastighet	1420±10% rpm 1750±10% rpm	
Bearbetningsbredd	30 cm	
Kastavstånd	Upp till 7,5 m	
Intagshöjd	15 cm	
Rekommenderad drifttemperatur	-10-10°C	
Rekommenderad förvaringstemperatur *För apparaten UTAN batteripaket	-20-70°C	
Vikt	5,2 kg	
Uppmätt ljudeffektnivå L_{WA}	98 dB(A) K=2,3 dB(A)	
Ljudtrycksnivå vid operatörens öra L_{PA}	90 dB(A) K=2,5 dB(A)	
Garanterad ljudeffektnivå L_{WA} (mätt enligt 2000/14/EG)	100 dB(A)	
Värdering av vibration $a_{h,v}$:	Främre hjälphandtag	4,4 m/s ² K=1,5 m/s ²
	Bakre handtag	3,9 m/s ² K=1,5 m/s ²

- Ovanstående parametrar har testats och utmätts med motorenhet PH1400E.
- Det deklarerade totala vibrationsvärdet har uppmätts i enlighet med en standardtestmetod och kan användas för att jämföra ett verktyg med ett annat.
- Det deklarerade totala vibrationsvärdet kan också användas i en preliminär utvärdering av exponeringen.

NOTERA: Vibrationsutstrålningen under verklig användning av elverktyg kan skilja sig från det deklarerade värdet i vilken verktyget används. För att skydda användaren skall skyddshandskar och hörselskydd användas under faktiska användningsförhållandet.

PACKLISTA (BILD A)

BESKRIVNING

LÄR KÄNNA DIN SNÖSKOVELTILLSATS (bild A)

1. Deflektorinställningsratt
2. Axel

3. Tätningskruv
4. Däck
5. Deflektor
6. Skrapskena
7. Matarskruv
8. Matarskruvaxel
9. Insexnyckel
10. Ändlock

MONTERING

⚠ VARNING: Om någon del är skadad eller saknas skall inte denna produkt användas innan delarna ersatts. Användning av denna produkt om den är skadad eller saknar delar kan resultera i allvarliga personskador.

⚠ VARNING: Försök inte att modifiera denna produkt eller skapa tillbehör som inte rekommenderas för användning med denna produkt. Alla sådana ändringar eller modifieringar är missbruk och kan resultera i allvarliga situationer som kan leda till allvarliga personskador.

UPPACKNING

- Kontrollera verktyget noggrant för att säkerställa att inget är trasigt och att inga skador uppstått under leveransen.
- Spara förpackningsmaterialet tills du noggrant har inspekterat och tillfredsställande använt produkten.

ANSLUTA SNÖSKOVELTILLSATSEN TILL MOTORENHETEN

Denna snöskoveltillsats är utformad för användning med EGO Power Head PH1400E.

Se sektionen "MONTERA ETT TILLBEHÖR TILL MOTORENHETEN" i motorenheten PH1400E bruksanvisning.

TA BORT TILLBEHÖR FRÅN MOTORENHETEN

Se sektionen "TA BORT ETT TILLBEHÖR TILL MOTORENHETEN" i motorenheten PH1400E bruksanvisning.

DRIFT

⚠ VARNING: Bli inte vördslös bara för att du är bekant med denna produkt. Kom ihåg att oaksamhet under en bråkdel av en sekund är tillräcklig för att orsaka allvarliga skador.

⚠ VARNING: Använd alltid skyddsglasögon eller säkerhetsglasögon med sidoskydd och en full ansiktsmask när denna produkt används. Om inte så görs kan det resultera i att föremål kastas in i ögonen och andra möjliga allvarliga skador.

TILLÄMPNINGAR

Du kan använda denna produkt för de tillämpningar som listas nedan:

- Rengöring av små ytor och lätta arbetsförhållanden som gårdar, gångvägar och garage.

ANVÄNDA SNÖSKOVELTILLSATSEN MED MOTORENHETEN

⚠ VARNING: Använd aldrig snöskoveltillsatsen på frysta sjöar, floder eller liknande ytor. Dödsfall eller allvarliga skador kan uppstå om isen bryter.

⚠ VARNING: Använd aldrig snöskoveltillsatsen på ett tak eller annan instabil yta då det kan resultera i dödsfall eller allvarliga personskador.

⚠ VARNING: Använd inte snöskoveltillsatsen på is, vilken kan göra att användaren halkar och faller vilket kan resultera i allvarliga personskador.

⚠ VARNING: Bär inte löst sittande kläder, halsdukar eller smycken. De kan fastna i rörliga delar och orsaka dödsfall eller allvarliga personskador.

⚠ VARNING: Rikta inte snöskoveltillsatsen eller utkastarrännan mot personer eller husdjur. Snö eller föremål som kastas iväg kan orsaka allvarliga personskador.

⚠ VARNING: Se till att området som skall rensas är fritt från stenar, pinnar, ledningar, grus och andra föremål som oavsiktligt kan kastas iväg av snöskoveltillsatsen i någon riktning och orsaka allvarliga personskador hos operatören eller andra.

När du använder snöskoveltillsatsen, håll verktyget med ett fast grepp med båda händerna medan det är i drift (bild C).

- Uppmärksamma vindriktningen innan du börjar. När så är möjligt, kasta snön i samma riktning som vinden blåser för att förhindra att snö kastas tillbaka i ditt ansikte.
- Vissa delar av snöskoveltillsatsen kan frysa under extrema väderförhållanden. Försök inte att använda enheten om den har frysta delar.
- Om verktyget kommer i kontakt med någon form av hinder under drift, stoppa det och ta ut batteriet.

Kontrollera verktyget noggrant innan du använder det.

- Om snön är för tjock och djupare än röjningsdjupet kan det ta mer än ett pass att rensa.

När verktyget är klart, låt verktyget köra i några minuter så att all snö kan rensa skruven innan den lagras.

STARTA/STOPPA VERKTYGET

Se avsnittet "STARTA/STOPPA MOTORENHETEN" i bruksanvisningen för motorenhet PH1400E.

DEFLECTOR JUSTERA KNAPP (Fig. D)

Urladdningsriktningen för denna snöskoveltillsatsen kan ändras genom att vrida på justeringsratten till vänster, framåt eller höger.

Det maximala justeringsområdet för vredet är 60° (30° till vänster eller höger).

Vredet kommer att låsas när det är längst till vänster eller längst till höger. Tryck på vredet och vrid det bakåt för att låsa upp det.

D-1	Låsindikator
D-2	Deflektorinställningsratt

UNDERHÅLL

ALLMÄNT UNDERHÅLL

Använd inte lösningsmedel när du rengör plastdelarna. De flesta plaster är känsliga för skador från olika typer av kommersiella lösningsmedel och kan skadas av dess användning. Använd rena trasor för att ta bort smuts, damm, olja, fett osv.

⚠ VARNING: Vid rengöring av snöskoveltillsatsen, sänk INTE ned det i vatten eller annan vätska.

MONTERA OCH LOSSA SKRAPSTÅNGEN

1. Ta ut batteripaketet från motorenheten.
2. Lägg snöskoveltillsatsen på sidan eller någon annan lämplig position för skrapstångservice.
3. Ta bort de fyra skruvarna på skrapstångens framsida, liksom de två skruvarna i båda ändarna. Använd en skruvmejsel (ingår ej) för att skruva loss dem (bild E & F).

E-1	Skrapskena
-----	------------

4. Byt skrapstången mot en ny om så behövs.
5. För att sätta ihop igen, sätt in en ny skrapstång med de sex hålen i linje, sätt in de sex skruvarna i hålen och säkra dem med en skruvmejsel (ingår ej).

SMÖRJNING AV VÄXELLÅDAN

Växellådan i växelhuset måste smörjas regelbundet med växellådsolja. Kontrollera växellådans fettnivå efter varje 50 timmars användning genom att ta bort tätningskruven på sidan av växelhuset.

Om inget fett kan ses på sidorna, följ stegen nedan för att fylla på med växellådsolja upp till 3/4 kapacitet.

Fyll inte upp den fullt.

1. Placera tillsatsen upprätt så att tätningskruven är riktad uppåt (bild N).

G-1	Växelhus
G-2	Tätningskruv

SE

2. Använd den multifunktionella skiftnyckeln (medföljer) för att lossa och ta bort tätningskruven.
3. Använd en fettspruta (medföljer ej) för att trycka in lite fett i skruvhålet. Överskrid inte 3/4 kapacitet.
4. Dra åt tätningskruven efter appliceringen.

TRANSPORT OCH FÖRVARING

- Ta ut batteripaketet från verktyget.
- Rengör verktyget nogga innan förvaring.

Förvara verktyget på en torr, välventilerad plats, inlåst eller högt upp, utom räckhåll för barn. Förvara inte enheten på eller i anslutning till gödningsmedel, bensin eller andra kemikalier.

Skydda miljön



Kassera inte elektriska apparater som osorterat kommunalt avfall, lämna in till närmaste återvinningsstation. Kontakta de lokala myndigheterna för information beträffande tillgängliga insamlingssystem.

Om elektriska apparater kasseras på avfallsupplag eller sottippar kan farliga ämnen läcka ut i grundvattnet och tränga in i livsmedelskedjan och skada din hälsa och välbefinnande.

FELSÖKNING

PROBLEM	ORSAK	LÖSNING
Snöskoveln startar inte.	<ul style="list-style-type: none"> ▪ Tömt batteripaket ▪ Spärrknappen eller avtryckaren användes inte korrekt. ▪ Batteriet är inte helt isatt i höljet. 	<ul style="list-style-type: none"> ▪ Ladda batteriet. ▪ Se avsnittet "STARTA/STOPPA MOTORENHETEN" i bruksanvisningen för motorenhet PH1400E. ▪ Kontrollera om batteriet är helt isatt i höljet.
Maskinen är uppenbarligen skadad.	<ul style="list-style-type: none"> ▪ Onormal skada under transport eller användning. 	<ul style="list-style-type: none"> ▪ Fortsätt inte använda den, skicka den till den utsedda reparationscentralen för reparation.
Snöskoveln lämnar ett tunt lager.	<ul style="list-style-type: none"> ▪ Skrapstången är sliten. 	<ul style="list-style-type: none"> ▪ Byt skrapstången.
Oväntad avstängning på jobbet	<ul style="list-style-type: none"> ▪ Överbelastad maskin ▪ Batteriet eller maskinen är överhettad. 	<ul style="list-style-type: none"> ▪ Minska maskinens belastningsintensitet. ▪ Kyl ned batteripaketet eller verktyget innan du arbetar.

SE

GARANTI

EGO GARANTIPOLICY

Besök webbsidan egopowerplus.com för fullständiga villkor för EGO garantipolicy.

LUE KAIKKI OHJEET



LUE KÄYTTÖOPAS

Lue ja ymmärrä kaikki koneen ohjeet ennen yksikön asennusta ja käyttöä ja noudata niitä sekä käyttöoppaan ohjeita. Tutustu koneen säätimiin ja oikeanlaiseen käyttöön huolellisesti. Opettele yksikön pysäyttäminen ja säätimien nopea vapauttaminen.

⚠ Jäännösriski! Henkilöiden, joilla on sydämentahdistin tai muu vastaava elektroninen laite, tulisi keskustella lääkärin kanssa ennen tämän tuotteen käyttöä. Sähkölaitteiden käyttö sydämentahdistimen lähetyvillä saattaa häiritä tahdistimen toimintaa tai aiheuttaa vakavan toimintahäiriön.

⚠ VAROITUS: Anna asiantuntevan huoltoteknikon tehdä kaikki korjaukset ja osien vaihdot, jotta laite on varmasti turvallinen ja luotettava.

FI

TURVALLISUUSYMBOLI

Turvallisuussymbolin tarkoituksena on kiinnittää huomiota mahdollisiin vaaroihin. Turvallisuussymbolit ja niiden selitykset on syytä lukea tarkkaan ja ymmärtää perusteellisesti. Varoitusymbolit eivät yksin poista vaaran mahdollisuutta. Niiden antamat ohjeet ja varoitukset eivät korvaa kunnollisia onnettomuuksien ehkäisytoimenpiteitä.

⚠ VAROITUS: Lue ja ymmärrä tämän käyttöoppaan kaikki turvallisuusohjeet, mukaan lukien kaikki turvallisuusvaroitusymbolit, kuten **"VAARA"**, **"VAROITUS"** ja **"HUOMIO"** ennen laitteen käyttämistä. Alla olevien ohjeiden noudattamatta jättäminen saattaa aiheuttaa sähköiskun, tulipalon ja/tai vakavan henkilövahingon.

SYMBOLIEN MERKITYKSET

TURVALLISUUSHÄLYTYKSEN SYMBOLI: Ilmaisee **VAARAA**, **VAROITUSTA** tai **HUOMIOTA**, voidaan käyttää muiden symboleiden tai kuvamerkkien yhteydessä.



⚠ VAROITUS: Minkä tahansa sähkötyökalun käyttö saattaa aiheuttaa vierasesineiden sinkoutumisen silmiin, mikä voi aiheuttaa vakavia silmävammoja. Käytä aina suojalaseja, joissa on sivusuojat, ja tarvittaessa koko kasvon peittävää suojaa, kun käytät sähkötyökaluja. Silmälasiensa päällä suosittelemme käytettäväksi suojamaskia, jossa on laaja näkökenttä, tai tavallisia suojalaseja, joissa on sivusuojat.

TURVALLISUUSOHJEET

Tällä sivulla kuvataan ja esitellään turvallisuussymbolit, jotka saattavat esiintyä tässä tuotteessa. Lue, ymmärrä ja noudata kaikkia laitteen ohjeita ennen kuin yrität koota sen tai käyttää sitä.



Varoitimet, jotka liittyvät turvallisuuteesi.



Käyttäjän tulee ennen käytön aloittamista lukea käyttöopas loukkaantumisvaaran pienentämiseksi.



Käytä aina suojalaseja tai sivusuojilla varustettuja suojalaseja ja kokonaamaria, kun käytät tätä tuotetta.



Älä käytä käsiä kourun tukoksien poistoon.



Pidä jalat etäällä pyörivästä siipipyörästä.



Älä käytä sateella tai jätä ulos sateeseen.



Tämä tuote vastaa sovellettavia EU-direktiivejä.



Tämä tuote vastaa sovellettavaa UK-lainsäädäntöä.



Vanhoja sähkölaitteita ei saa hävittää kotitalousjätteen mukana. Vie laite valtuutettuun kierrätyslaitokseen.

V Jännite

cm Senttimetri

⚡ Tasavirta

IPX4 Suojaus vesiroiskeita luokitus 4.

mm Millimetri

kg Kilogramma

YLEISET SÄHKÖYÖKALUJEN TURVALLISUUSVAROITUKSET

VAROITUS! Lue kaikki tämän sähköyökalun mukana tulleet turvallisuusvaroitukset, ohjeet, piirustukset ja tekniset tiedot. Jos kaikkia alla olevia ohjeita ei noudateta, seurauksena saattaa olla sähköisku, tulipalo ja/tai vakava loukkaantuminen.

SÄILYÄ KAIKKI VAROITUKSET JA OHJEET MYÖHEMPÄÄ KÄYTTÖÄ VARTEN.

Varoituksissa käytetty termi "sähköyökalu" tarkoittaa joko verkkovirtakäyttöistä (johdollista) sähköyökalua tai akkukäyttöistä (johdotonta) sähköyökalua.

TYÖALUEEN TURVALLISUUS

- Pidä työalue puhtaana ja hyvin valaistuna. Sotkuiset tai hämärät alueet aiheuttavat onnettomuuksia.
- Älä käytä sähköyökaluja räjähdysriskissä ympäristössä, kuten syttyvien nesteiden, kaasujen tai pölyn läheisyydessä. Sähköyökalut saattavat aiheuttaa kipinöitä, jotka voivat sytyttää tuman tai höyryjä.
- Älä päästä lapsia tai sivullisia lähelle, kun käytät sähköyökaluja. Häiriötekijät voivat aiheuttaa hallinnan menettämisen.

HENKILÖKOHTAINEN TURVALLISUUS

- Ole valpas, tarkkaavainen ja käytä maalaisjärkeä, kun käytät sähköyökalua. Älä käytä sähköyökalua, kun olet väsynyt tai kun olet huumeiden, alkoholin tai lääkityksen vaikutuksen alaisena. Hetkellinenkin huomion herpaantuminen sähköyökalua käytettäessä saattaa aiheuttaa vakavan henkilökohtaisen vamman.
- Käytä henkilönsuojaimia. Käytä aina silmäsuojaimia. Suojavarusteiden, kuten hengityssuojaimen, luistamattomien turvakengien, suojakypärän tai kuulosuojaimien, käyttö tarvittaessa vähentää loukkaantumisvaaraa.
- Estä vahingossa käynnistyminen. Varmista, että kytkin on off-asennossa, ennen kuin liität virtalähteen ja/tai akun, nostat laitteen tai kannat

sitä. Sähköyökalujen kantaminen niin, että sormesi on kytkimellä, tai sähköyökaluihin virran kytkeminen kytkin päällä voi aiheuttaa onnettomuuksia.

- Poista kaikki säätöön käytetyt avaimet tai kiintoavaimet ennen kuin käynnistät sähköyökalun. Sähköyökalun pyöriivään osaan jätetty avain tai kiintoavain saattaa aiheuttaa henkilövamman.
- Älä kurkottele. Säilytä aina tukeva asento ja hyvä tasapaino. Näin hallitset sähköyökalun parhaalla mahdollisella tavalla odottamattomissa tilanteissa.
- Pukeudu asianmukaisesti. Älä käytä väljiä vaatteita tai koruja. Pidä hiukseksi, vaatteesi ja käsineesi poissa liikkuvien osien läheltä. Väljät vaatteet, korut tai pitkät hiukset voivat takertua liikkuviin osiin.
- Jos laitteissa on liitännät pölynpoistolaitteille ja keräilylaitteille, varmista, että ne on liitetty ja niitä käytetään oikein. Pölynpoistolaitteiden käyttö voi vähentää pölyyn liittyviä vaaroja.
- Älä anna tuotteen tuttuuden toistuvan käytön takia tehdä sinua liian itsevarmaksi, äläkä jätä työkalun turvallisuusohjeita noudattamatta. Huolimaton toiminta voi aiheuttaa vakavan henkilövahingon sekunnin murto-osassa.

SÄHKÖYÖKALUJEN KÄYTTÖ JA KUNNOSSAPITO

- Älä pakota sähköyökalua. Käytä omaan käyttötarkoitukseksi soveltuvaa sähköyökalua. Oikea sähköyökalu suoriutuu parhaiten ja turvallisimmin tehtävästä sille tarkoitetulla nopeudella.
- Älä käytä sähköyökalua, jos sitä ei saa käynnistettyä ja suljettua kytkimellä. Sähköyökalun, jota ei voida hallita kytkimellä, käyttö on vaarallista ja laite on korjattava.
- Irrota sähköyökalusta akku, mikäli irrottavissa, ja/tai irtikytkentälaitte ennen tukosten poistamista, säätöjen tekemistä, lisävarusteiden vaihtamista, puhdistamista tai sähköyökalujen asettamista säilytykseen. Nämä estävät turvallisuustoimenpiteet vähentävät sähköyökalun vahingossa käynnistämisen riskiä.

- Säilytä käyttämättömiä sähkötyökaluja lasten ulottumattomissa, äläkä anna henkilöiden, jotka eivät tunne sähkötyökaluja tai näitä ohjeita, käyttää sähkötyökälyä. Sähkötyökälyt ovat vaarallisia kokemattomien käyttäjien käsissä.
- Huolla sähkötyökälyt ja lisävarusteet. Tarkista, että liikkuvat osat ovat kunnolla paikallaan, että osat ovat ehjiä, ja että sähkötyökälyssä ei ole muita ongelmia, jotka saattaisivat vaikuttaa sen toimintaan. Jos sähkötyökäly on vahingoittunut, korjauta se ennen käyttöä. Monet onnettomuudet johtuvat huonosti ylläpidetyistä sähkötyökälyistä.
- Pidä leikkuutyökälyt terävinä ja puhtaina. Oikein huolletut leikkuutyökälyt, joissa on terävät leikkureunat, eivät todennäköisesti jumiudu, ja niitä on helpompi hallita.
- Käytä sähkötyökälyä, lisävarusteita ja teriä yms. näiden ohjeiden mukaisesti ja niin, että otat huomioon käyttöolosuhteet ja tehtävän työn. Sähkötyökälyjen käyttö muihin kuin niille suunniteltuihin tarkoituksiin saattaa aiheuttaa vaaratilanteen.
- Pidä kahvat ja tartuntapinnat kuivina, puhtaina, öljyttöminä ja rasvattomina. Liukkaat kahvat ja tartuntapinnat eivät mahdollista työkalun turvallista käsittelyä ja hallintaa odottamattomissa tilanteissa.
- Pidä johdot poissa työkalun työskentelyalueelta. Käytön aikana johdot voivat olla näkymättömissä, jolloin työkalu voi vahingossa katkaista sen.

AKKUTYÖKÄLYN KÄYTTÖ JA KUNNOSSAPITO

- Lataa vain valmistajan määrittelemällä laturilla. Laturi, joka sopii yhdentyyppiselle akulle voi aiheuttaa tulipalovaaran, jos sitä käytetään toisenlaisen akun kanssa.
- Käytä sähkötyökälyissä vain erityisesti niihin tarkoitettuja akkuja. Muunlaisten akkujen käyttö saattaa aiheuttaa henkilövahingon tai tulipalon vaaran.
- Kun akku ei ole käytössä, pidä se erillään metalliesineistä, kuten paperiliittimet, kolikot, avaimet, naulat, ruuvit ja muut pienet metalliesineet, jotka voivat yhdistää akun navat toisiinsa. Akun napojen oikosulku voi aiheuttaa palovammoja tai tulipalon.
- Akusta voi valua nestettä väärästä käytöstä johtuen. Vältä kosketusta nesteeseen. Jos kosket nesteeseen vahingossa, huuhtelee vedellä. Jos nestettä pääsee silmiin, hakeudu lääkärin hoitoon. Akusta valuva neste voi aiheuttaa ärsytystä tai palovammoja.
- Älä käytä akkua tai työkalua, joka on vaurioitunut tai jota on muutettu. Vaurioituneet tai muutetut akut voivat käyttäytyä arvaamattomasti ja aiheuttaa tulipalon, räjähdyksen tai henkilövahingon vaaran.
- Älä altista akkua tai työkalua tulelle tai äärimmäisille lämpötiloille. Altistaminen tullelle tai yli 100°C:n lämpötilalle voi aiheuttaa räjähdyksen.
- Noudata kaikkia latausohjeita. Älä lataa akkua tai työkalua lämpötilassa, joka ei ole ohjeissa ilmoitetun lämpötila-alueen sisällä. Virheellinen lataaminen tai lataaminen ilmoitetun lämpötila-alueen ulkopuolella olevassa lämpötilassa voi vaurioittaa akkua ja lisätä palovaaraa.

HUOLTO

- Huollata sähkötyökälysi asiantuntevalla korjaajalla, joka käyttää vain identtisiä varaosia. Näin taataan sähkötyökälyturvallisuuden säilyminen.
- Älä koskaan huolla vaurioituneita akkuja. Akkujen huollon saa tehdä vain valmistaja tai sen valtuuttamat huoltoliikkeet.

VAROITUS! Lue kaikki tämän sähkötyökälymukan tulleet turvallisuusvaroitukset, ohjeet, piirustukset ja tekniset tiedot. Jos kaikkia alla olevia ohjeita ei noudateta, seurauksena saattaa olla sähköisku, tulipalo ja/tai vakava loukkaantuminen. Säilytä kaikki varoitukset ja ohjeet myöhempää käyttöä varten.

Säilytä kaikki varoitukset ja ohjeet myöhempää käyttöä varten.

OPETTELU

- Lue ja ymmärrä kaikki koneen ohjeet ennen työkalun asennusta ja käyttöä ja noudata niitä sekä käyttöoppaan ohjeita. Tutustu laitteen säätimiin ja oikeanlaiseen käyttöön huolellisesti. Opettele työkalun pysäyttäminen ja säätimien nopea vapauttaminen.
- Älä koskaan anna lasten käyttää laitetta. Älä koskaan anna aikuisten käyttää tätä laitetta ilman kunnon opastusta.
- Pidä ulkopuoliset, etenkin pikkulapset, poissa työskentelyalueelta.
- Varo liukastumista tai kaatumista, etenkin vetäessäsi lumilapioisäosaa taaksepäin.

VALMISTELU

- Älä ikinä käytä laitetta, kun lähellä on ihmisiä, erityisesti lapsia tai lemmikkejä.
- Käytä aina silmäsuojaimia ja suojaavia kenkiä, kun käytät laitetta.
- Laitteen ja sivullisten välillä tulisi olla vähintään 15 metrin etäisyys.

- Älä käytä konetta, jos olet väsynyt, sairast tai alkoholin tai lääkkeiden vaikutuksen alaisena.
- Tarkasta huolellisesti alue, jolla laitetta käytetään, ja poista kaikki ovimatot, kelkat, laudat, johdot ja muut vieraat esineet.
- Älä käytä konetta ilman asianmukaista talvivaatetusta. Vältä löysiä vaatteita, jotka voivat takertua koneen liikkuviin osiin. Käytä jalkineita, joilla on tukeva astua liukkailla pinnoilla.
- Käytä aina suojalaseja tai silmäsuojaimia käytön, säätämisen tai korjausten aikana suojataksesi silmäsi koneesta mahdollisesti sinkoutuvilta vierailta esineiltä.
- Käytä katkojohtoja ja pistorasioita valmistajan ohjeiden mukaan kaikissa laitteissa, joissa on sähkökäynnistysmoottorit.
- Älä koskaan tee mitään säätöjä moottorin ollessa käynnissä (paitsi jos valmistaja niin erityisesti kehottaa tekemään).

KÄYTTÖ

- Älä laita käsiä tai jalkoja pyörivien osien lähelle tai niiden alle. Pidä huolta, että poistoaukko on vapaa aina.
- Noudata äärimmäistä varovaisuutta käyttäessäsi konetta sorateillä, jalkakäytävillä ja teillä tai ylittäessäsi niitä. Varo piilossa olevia vaaroja ja liikennettä.
- Osuessa vieraaseen esineeseen, sammuta moottori, poista akku, tarkasta lumilapioisäosa huolellisesti vaurioiden varalta ja korjaa vauriot ennen lumilapioisäosan käynnistämistä ja käyttämistä uudelleen.
- Jos laite alkaa täräistä poikkeavasti, sammuta moottori ja tarkasta välittömästi syy. Tärinä on yleensä merkki häiriöistä.
- Sammuta moottori aina, kun poistut käyttäjän paikalta, aina ennen lumikierukan kotolon puhdistamista ja ennen korjauksia, säätöjä tai tarkastuksia.
- Ole erittäin varovainen, kun käytät laitetta rinteissä.
- Älä koskaan käytä lumilapioisäosaa ilman kunnollisia suojuksia. Pidä kaikki turvalaitteet paikoillaan ja toiminnassa.
- Älä koskaan suuntaa poistokourua ihmisiä kohti tai alueille, joilla voi sataa omaisuusvahinkoja. Pidä lapset ja sivulliset etäällä.
- Älä ylikuormita koneen kapasiteettia puhdistamalla liunta liian suurella nopeudella.
- Älä koskaan käytä lumilapioisäosaa liian suurella nopeudella liukkailla pinnoilla. Katso taaksesi ja noudata varovaisuutta peruuttaessasi.

- Käytä vain lumilapioisäosan valmistajan hyväksymiä lisälaitteita ja varusteita (esim. kaavintankoa).
- Älä koskaan käytä lumilapioisäosaa, jos näkyyvyy on huono tai on pimeää. Varmista aina tukeva työskentelyasento ja pidä kunnolla kiinni kahvoista. Kävele, älä juokse.
- Älä altista akkua tai työkalua tulelle tai äärimmäisille lämpötiloille. Altistaminen tulelle tai yli 100°C:n lämpötilalle voi aiheuttaa räjähdyksen.
- Käytä vain kuvassa B lueteltujen akkujen ja latureiden kanssa.

TUKKEUTUNEEN LUMIKIERUKKAKOKOONPANON PUHDISTUS

Käsikosketus pyörivään lumikierukan on yleisin lumilapioisäosista aiheutuva tapaturma. Älä koskaan puhdistä käsillä pyörivää lumikierukkakokoonpanoa.

Lumikierukkakokoonpanon puhdistaminen:

- SAMMUTA TYÖKALU!
- Irrota akku työkalusta.
- Odota 10 sekuntia ja varmista, että lumikierukka on lakannut pyörimästä.
- Käytä aina koneeseen lisävarusteena kiinnitettyä lumikierukan puhdistustyökalua, älä käytä käsiä.

YLLÄPITO JA VARASTOINTI

- Tarkista kaikkien pulttien tai kiinnittimien tiukkuus säännöllisin väliajoin, jotta laite on turvallisuudessa käyttökunnossa.
- Katso käyttöoppaasta tärkeät tiedot siitä, miten lumilapioisäosaa säilytetään pitempi ajanjakso.
- Pidä turva- ja ohjetarrat kunnossa ja vaihda ne tarvittaessa uusiin.
- Käytä konetta muutamia minutteja estääksesi lumen jäätyksen lumikierukan.

SÄILYTÄ NÄMÄ OHJEET! Lue ohjeet säännöllisesti ja käytä niitä muiden työkalun käyttäjien ohjeistamisessa. Jos lainaat tämän laitteen jollekulle muulle, lainaa samalla myös nämä ohjeet laitteen väärinkäytön tai mahdollisen vammant estämiseksi.

TEKNISEET TIEDOT

Nimellisjännite	56 V	
Tyhjäkäyntinopeus	1420±10% rpm 1750±10% rpm	
Puhdistusleveys	30 cm	
Heittoetäisyys	Enintään 7,5 mm	
Poistokorkeus	15 cm	
Suosittelu käyttölämpötila	-10-10°C	
Suosittelu säilytyslämpötila *Laitteelle ILMAN akkua	-20-70°C	
Paino	5,2 kg	
Mitattu äänitehotaso L_{WA}	98 dB(A) K=2,3 dB(A)	
Äänenpaineen taso käyttäjän korvien tasolla L_{PA}	90 dB(A) K=2,5 dB(A)	
Taattu äänitehotaso L_{WA} (mitattu direktiivin 2000/14/EY mukaan)	100 dB(A)	
Tärinäarvo a_n :	Etuapukahva	4,4 m/s ² K=1,5 m/s ²
	Takakahva	3,9 m/s ² K=1,5 m/s ²

- Edellä esitetyt parametrit on testattu ja mitattu akkupään PH1400E kanssa.
- Ilmoitettu tärinän kokonaispäästöarvo on mitattu standarditestausmenetelmän mukaisesti, ja sen avulla voidaan vertailla työkaluja keskenään;
- Ilmoitettua tärinän kokonaispäästöarvoa voidaan käyttää myös altistumisen alustavaan arviointiin.

HUOMAUTUS: Työkalun käytön aikana mitattu todellinen tärinäpäästöarvo voi poiketa ilmoitetusta kokonaispäästöarvosta työkalun käyttötavasta johtuen; käyttäjän suojaamiseksi tulee käyttää käsiineitä ja kuulosuojaimia varsinaisissa käyttöolosuhteissa.

PAKKAUSLUETTELO (KUVA A)

KUVAUS

TUNNE LUMILAPION KIINNITYS (kuva A)

- Ohjauslevyn säätönappi

- Varsi
- Tiivistysruuvi
- Leikkuulaite
- Ohjauslevy
- Kaavintanko
- Lumikierukka
- Lumikierukan varsi
- Kuusiokoloavain
- Päätytulppa

KOKOAMINEN

VAROITUS: Jos jokin osa on vahingoittunut tai puuttuu, älä käytä tuotetta ennen kuin osat on vaihdettu. Tuotteen käyttö voittuneilla tai puuttuvilla osilla voi aiheuttaa vakavan henkilövahingon.

VAROITUS: Älä yritä muuttaa tätä tuotetta tai käyttää siinä lisävarusteita, joita ei ole suunniteltu käytettäväksi tämän tuotteen kanssa. Mikä tahansa tällainen muokkaus tai muutos on väärinkäyttö ja saattaa aiheuttaa vaarallisen tilan, joka saattaa johtaa vakavaan henkilövammaan.

PAKKAUKSEN PURKAMINEN

- Tarkasta tuote huolellisesti varmistaaksesi, ettei tuote ole rikkoutunut tai vaurioitunut.
- Älä hävitä pakkausmateriaalia ennen kuin olet tarkastanut tuotteen huolellisesti ja käyttänyt sitä tyydyttävästi.

LUMILAPIOLISÄOSAN KYTKEMINEN VIRTAPÄÄN

Tämä lumilapiolisäosa on suunniteltu käytettäväksi EGO-akkupään PH1400E kanssa.

Katso akkupään PH1400E käyttöoppaasta kohta "LISÄOSAN ASENTAMINEN AKKUPÄÄHÄN".

LISÄOSAN POISTAMINEN AKKUPÄÄSTÄ

Katso akkupään PH1400E käyttöoppaasta kohta "LISÄOSAN POISTAMINEN AKKUPÄÄSTÄ".

KÄYTTÖ

VAROITUS: Älä anna tämän laitteen tuttuuden tehdä sen käsittelystä huolimattonta. Muista, että sekunnin sadasosanakin huolimattomuus riittää vakavan vamman aiheutumiseen.

VAROITUS: Käytä aina suojalaseja tai sivusuojilla varustettuja suojalaseja ja kokonaamaria, kun käytät tätä tuotetta. Tämän ohjeen laiminlyöminen saattaa aiheuttaa esineiden sinkoutumisen silmiin ja mahdollisen vakavan henkilövahingon.

KÄYTTÄMINEN

Voit käyttää laitetta alla lueteltuihin tarkoituksiin:

- Pienten alueiden ja kevyiden työolojen, kuten pihojen, kävelyteiden ja autotallien, puhdistaminen.

LUMILAPIOLISÄOSAN KÄYTTÄMINEN AKKUPÄÄN KANSSA

VAROITUS: Älä koskaan käytä lumilapiolisäosaa jäässä olevien järvien, jokien ja vastaavien pintojen päällä. Jään rikkoutuminen voi aiheuttaa kuoleman tai vakavan henkilövahingon.

VAROITUS: Älä koskaan käytä lumilapiolisäosaa katolla tai muilla epävakailta pinoilla. Tämä voi johtaa kuolemaan tai vakavaan henkilövahinkoon.

VAROITUS: Älä käytä lumilapiolisäosaa jään päällä. Se voi aiheuttaa käyttäjän liukastumisen ja putoamisen, mikä voi aiheuttaa vakavan henkilövahingon.

VAROITUS: Älä käytä väljiä vaatteita, huiveja tai koruja. Ne voivat jäädä kiinni liikkuviin osiin ja aiheuttaa kuoleman tai vakavan henkilövahingon.

VAROITUS: Älä osoita lumilapiolisäosalla ihmisiä tai lemmikkejä. Sinkoutuva lumi ja muut esineet saattavat aiheuttaa vakavan henkilövahingon.

VAROITUS: Varmista, että puhdistettavalla alueella ei ole kiviä, keppejä, johtoja, soraa ja muita kohteita. Jos lumilapiolisäosa heittää ne mihin tahansa suuntaan, se voi aiheuttaa vakavan henkilövahingon käyttäjälle tai muille.

Kun käytät lumilapiolisäosaa, pidä työkalusta tukevasti kiinni molemmiin käsiin käytön aikana (kuva C).

- Huomioi tuulen suunta ennen aloittamista. Poista lumi mahdollisuuksien mukaan samaan suuntaan kuin tuuli, jotta lunta ei heitetä takaisin kasvoinhin.
- Jotkin lumilapiolisäosien osat voivat jäättyä äärimmäisissä sääolosuhteissa. Älä yritä käyttää työkalua, jos sen osat ovat jäässä.
- Jos työkalu koskettaa käytön aikana mitään tahansa esteitä, pysäytä se ja poista akku. Tarkista työkalu ennen käyttöä.

- Jos lumi on liian paksua ja syvempää kuin raivaussyvyys, sen puhdistus voi vaatia useamman kerran.

Kun olet valmis, anna työkalun käydä muutaman minuutin ajan, jotta kaikki lumi puhdistuu lumikierukasta ennen varastointia.

TYÖKALUN KÄYNNISTÄMINEN/SAMMUTTAMINEN

Katso akkupään PH1400E käyttöoppaasta kohta ”AKKUPÄÄN KÄYNNISTÄMINEN/SAMMUTTAMINEN”.

OHJAUSLEVYN SÄÄTÖNUPPI (kuva D)

Tämän lumilapiolisäosan purkusuuntaa voidaan muuttaa kääntämällä ohjauslevyn säätönuppia vasemmalle, eteenpäin tai oikealle.

Nupin suurin säätöalue on 60° (30° vasemmalle tai oikealle).

Nuppi lukittuu, kun se on ääriasennossa vasemmalla tai oikealla. Avaa nupin lukitus painamalla nuppia ja kiertämällä sitä taaksepäin.

D-1	Lukituksen merkivalo
D-2	Ohjauslevyn säätönuppi

HUOLTAMINEN

YLEINEN KUNNOSSAPITO

Vältä liuotainaineiden käyttöä, kun puhdistat muoviosia. Useimmat muovit ovat herkkiä vaurioitumaan erilaisista kaupallisista liuottimista ja voivat vaurioitua niiden käytössä. Poista lika, pöly, öljy, rasva ym. puhtaalla liinalla.

VAROITUS: Kun puhdistat lumilapiolisäosaa, ÄLÄ upota sitä veteen tai muihin nesteisiin.

KAAVINTANGON ASENTAMINEN JA IRROTTAMINEN

1. Poista akku akkupästä.
2. Aseta lumilapiolisäosa kyljelleen tai mihin tahansa muuhun sopivaan kohtaan kaavintangon huoltoa varten.
3. Irrota kaavintangon etuosan neljä ruuvia sekä kaksi ruuvia molemmista päistä. Avaa ne ruuvimeisselillä (ei sisälly toimitukseen) (kuvat E & F).

E-1	Kaavintanko
-----	-------------

4. Vaihda kulunut kaavintanko uuteen tarvittaessa.
5. Kokoa uudelleen asettamalla uusi kaavintanko siten, että kuusi reikää ovat kohdakkain, aseta kuusi ruuvia reikiin ja kiinnitä ne ruuvimeisselillä (ei sisälly toimitukseen).

VAIHDEPYÖRÄN VOITELU

Vaihdekotelossa oleva vaihdepyörä tulee voidella säännöllisesti vaihderasvalla. Tarkasta vaihdekotelon rasvan taso noin 50 käyttötunnin välein poistamalla kotelon sivussa oleva tiivistysruuvi.

Jos vaihteen sivuilla ei näy rasvaa, lisää vaihderasvaa enintään 3/4 kapasiteetista seuraavien ohjeiden mukaisesti.

Älä täytä vaihdepyörän koteloa kokonaan rasvalla.

1. Aseta kiinnitys pystyyn siten, että tiivistysruuvi on ylöspäin (kuva G).

G-1	Vaihteistokotelo
G-2	Tiivistysruuvi

2. Löysää tiivistysruuvia mukana toimitetulla monitoimiavaimella ja poista ruuvi.
3. Käytä rasvaruiskua (ei mukana) ja ruiskuta jonkin verran rasvaa ruuvin reikään; älä ylitä 3/4 kapasiteetista.
4. Kiristä tiivistysruuvi ruiskutuksen jälkeen.

KULJETUS JA VARASTOINTI

- Irrota akku työkalusta.
- Puhdista työkalu perusteellisesti ennen varastoon laittamista.

Säilytä työkalu kuivassa, hyvin ilmastoidussa, lukitussa paikassa tai korkealla, poissa lasten ulottuvilta. Älä säilytä työkalua lannoitteiden, bensiinin tai muiden kemikaalien päällä tai vieressä.

Ympäristönsuojelu



Älä hävitä sähkölaitteita lajittelemattomana talousjätteenä, käytä erillisiä keräilypisteitä. Kysy tarkemmat tiedot jätteidenkeräyspisteistä paikallisilta viranomaisilta.

Jos sähkölaitteita viedään kaatopaikalle, pohjaveteen saattaa vuotaa vaarallisia aineita ja päätyä sitä kautta ruokaketjuun. Tämä vahingoittaa terveyttäsi ja hyvinvointiasi.

VIANMÄÄRITYS

ONGELMA	SYY	RATKAISU
Lumilapio ei käynnisty.	<ul style="list-style-type: none"> ■ Akku loppu ■ Lukituksen vapautuspainiketta tai liipaisukytkintä ei käytetty oikein. ■ Akkua ei ole asetettu kokonaan koteloon. 	<ul style="list-style-type: none"> ■ Lataa akku. ■ Katso akkupään PH1400E käyttöoppaasta kohta ”AKKUPÄÄN KÄYNNISTÄMINEN/SAMMUTTAMINEN” ■ Tarkista, onko akku asetettu kokonaan koteloon.
Kone on ilmeisesti vaurioitunut.	<ul style="list-style-type: none"> ■ Epänormaali vaurio kuljetuksen tai käytön aikana. 	<ul style="list-style-type: none"> ■ Älä jatka käyttöä, lähetä se valtuutettuun korjaamoon korjattavaksi.
Lumilapio jättää ohuen kerroksen.	<ul style="list-style-type: none"> ■ Kaavintanko on kulunut. 	<ul style="list-style-type: none"> ■ Vaihda kaavintanko.
Odottamaton sammuminen työn aikana	<ul style="list-style-type: none"> ■ Ylikuormittunut kone ■ Akku tai kone on ylikuumentunut. 	<ul style="list-style-type: none"> ■ Vähennä koneen kuormituksen voimakkuutta. ■ Jäähdytä akku tai työkalu ennen työskentelyä.

FI

TAKUU

EGON TAKUUEHDOT

Verkkosivustolta egopowerplus.com löydät EGO:n takuukäytännön täydelliset ehdot.

LES ALLE INSTRUKSJONER



LES BRUKERHÅNDBOKEN

Les, forstå og følg alle instruksjonene på maskinen og i håndboken før du bruker denne enheten. Bli grundig kjent med kontrollene og riktig bruk av maskinen. Vit hvordan du kan stoppe enheten og koble fra kontrollene raskt.

⚠ Gjenværende risiko! Personer med elektroniske enheter, for eksempel pacemakere, bør konsultere legen(e) før de bruker dette produktet. Drift av elektrisk utstyr i umiddelbar nærhet av en pacemaker kan føre til at pacemakeren forstyrres eller svikter.

⚠ ADVARSEL: For å ivareta sikkerheten og påliteligheten må alle reparasjoner og utskiftinger utføres av en kvalifisert servicetekniker.

SIKKERHETSSYMBOLER

NO

Hensikten med sikkerhetssymboler er å tiltrekke deg oppmerksomheten mot mulige farer. Sikkerhetssymbolene og forklaringene med dem fortjener nøye oppmerksomhet og forståelse. Symbolvarslene eliminerer ikke i seg selv noen fare. Instruksjonene og advarslene de gir, erstatter ikke riktige tiltak for å forhindre ulykker.

⚠ ADVARSEL: Sørg for å lese og forstå alle sikkerhetsinstruksjonene i denne brukerhåndboken, inkludert alle sikkerhetsvarselssymboler som **“FARE”**, **“ADVARSEL”** og **“FORSIKTIG”** før du bruker dette verktøyet. Hvis du ikke følger alle instruksjonene nedenfor, kan det føre til elektrisk støt, brann og/eller alvorlig personskade.

SYMBOLBETYDELSE

SIKKERHETSSYMBOL: Indikerer **FARE, ADVARSEL ELLER FORSIKTIGHET**, kan brukes sammen med andre symboler eller piktogrammer.



⚠ ADVARSEL: Bruk av hvilke som helst elektroverktøy kan føre til at fremmedlegemer blir kastet mot øynene, noe som kan gi alvorlige øyeskader. Før du begynner å bruke elektroverktøyet, skal du alltid ta på vernebriller eller vernebriller med sidebeskyttelse, og en full ansiktsskjerm der det trengs. Vi anbefaler en Wide Vision Safety Mask til bruk over briller, eller standard vernebriller med sidebeskyttelse.

SIKKERHETSINSTRUKSER

Denne siden viser og beskriver sikkerhetssymboler som kan vises på dette produktet. Les, forstå og følg alle instruksjonene på maskinen før du prøver å montere og bruke den.



Forsiktighetsregler som har med sikkerheten din å gjøre.



For å redusere risikoen for skader må brukeren lese brukerhåndboken før produktet brukes.



Bruk alltid vernebriller eller vernebriller med sidebeskyttelse, og full ansiktsskjerm når du bruker dette produktet.



Ikke bruk hendene til å tette av rennen.



Hold føttene unna roterende løpehjul.



Må ikke brukes i regnvær eller etterlates utendørs når det regner.



Dette produktet er i samsvar med gjeldende EF-direktiver.



Dette produktet er i samsvar med gjeldende britisk lovgivning.



Elektrisk avfall skal ikke kastes sammen med husholdningsavfall. Ta med til en autorisert resirkulator.

V Spenning

cm Centimeter

≡ Likestrøm

IPX4 Beskyttelse mot inntrengning av vanngrad 4.

mm Millimeter

kg Kilogram

GENERELLE SIKKERHETSADVARSLER FOR ELEKTROVERKTØY

⚠ ADVARSEL! Gjør deg kjent med alle sikkerhetsadvarslene, instruksjonene, illustrasjonene og spesifikasjonene som følger med dette elektroverktøyet. Hvis du ikke følger alle instruksjonene nedenfor, kan det føre til elektrisk støt, brann og/eller alvorlig personskade.

LAGRE ALLE ADVARSLER OG INSTRUKSJONER FOR FREMTIDIG REFERANSE.

Betegnelsen "elektroverktøy" i advarslene refererer til elektroverktøy som kobles til strømmettet (med ledning), eller batteridrevet (trådløst) elektroverktøy.

SIKKERHET I ARBEIDSRÅDET

- **Hold arbeidsområdet rent og godt opplyst.** Rotete eller mørke områder gjør at ulykker lettere oppstår.
- **Ikke bruk elektroverktøy i eksplosive atmosfærer, for eksempel i nærvær av brennbare væsker, gasser eller støv.** Elektroverktøy lager gnister som kan antenne støv eller damp.
- **Hold barn og andre personer unna når elektroverktøyet er i bruk.** Distraksjoner kan føre til at du mister kontrollen.

PERSONLIG SIKKERHET

- **Vær årvåken, se hva du gjør, og følg sunn fornuft når du bruker et elektroverktøy. Ikke bruk elektroverktøy når du er trøtt eller er påvirket av narkotika, alkohol eller medikamenter.** Et øyeblikks uoppmerksomhet mens du bruker elektroverktøy kan føre til alvorlige personskader.
- **Bruk personlig verneutstyr. Bruk alltid vernebriller.** Verneutstyr som støvmaske, sklisikre vernesko, hjelm eller hørselsvern når omgivelsene krever det, reduserer risikoen for personskader.
- **Unngå utilsiktet oppstart. Pass på at bryteren er i av-stilling før du kobler til strømkilden og/eller batteripakken, eller når du løfter og bærer verktøyet.** Bærer du elektroverktøy med fingeren på bryteren

eller kobler det til strømkilden mens bryteren står i på-posisjon, vil det øke faren for ulykker.

- **Fjern eventuelle justeringsnøkler før du slår på elektroverktøyet.** Et verktøy eller en nøkkel som sitter igjen i en roterende del av elektroverktøyet, kan føre til personskade.
- **Ikke strekk deg for langt. Pass på å ha skikkelige fotfeste og balanse til enhver tid.** Dette muliggjør bedre kontroll over elektroverktøyet i uventede situasjoner.
- **Kle deg riktig. Ikke bruk løse klær eller smykker. Hold hår, klær og hansker unna bevegelige deler.** Løse klær, smykker eller langt hår kan sette seg fast i bevegelige deler.
- **Hvis det følger med utstyr for tilkopling av støvavsug og oppsamlingsutstyr, skal disse kobles til og brukes riktig.** Bruk av støvheter kan redusere støvrelaterte farer.
- **Selv om du har opparbeidet deg erfaring gjennom hyppig bruk av verktøyet må du alltid være årvåken og følge sikkerhetsinstruksjonene.** Et ørlite øyeblikks uoppmerksomhet er alt som skal til for at alvorlige personskader kan oppstå.

BRUK OG VEDLIKEHOLD AV ELEKTROVERKTØY

- **Ikke legg press på elektroverktøyet. Bruk et elektroverktøy som er egnet for det du skal gjøre.** Et egnet elektroverktøy vil gjøre jobben på en bedre og tryggere måte, i den hastigheten verktøyet er konstruert for.
- **Ikke bruk elektroverktøyet hvis bryteren ikke slår det på og av.** Elektroverktøy som ikke kan kontrolleres med bryteren er farlig og må repareres.
- **Ta batteripakken ut av verktøyet hvis mulig og/eller aktiver en eventuell batterifrakoblingsmekanisme før du fjerner materiale som har satt seg fast, foretar justeringer, bytter tilbehør, rengjør elektroverktøyet eller setter det til oppbevaring.** Slike forebyggende sikkerhetstiltak reduserer risikoen for at det elektriske verktøyet starter utilsiktet.

NO

- **Oppbevar elektroverktøy utilgjengelig for barn, og ikke la personer som ikke er kjent med verktøyet eller disse instruksjonene, betjene maskinen.** Elektroverktøy er farlige når de brukes av uerfarne personer.
- **Elektroverktøy og tilbehør må vedlikeholdes. Se etter feiljusteringer eller oppbinding av bevegelige deler, skadede deler og eventuelle andre forhold som kan påvirke elektroverktøyet funksjon. Hvis det er skadet, må elektroverktøyet repareres før bruk.** Mange ulykker forårsakes av elektroverktøy som ikke er godt vedlikeholdt.
- **Hold skjæreverktøyet skjerpet og rent.** Riktig vedlikehold av skjæreverktøy med skarpe kanter gjør at det er mindre sannsynlighet for oppbinding, og at det er lettere å kontrollere.
- **Bruk elektroverktøy, tilbehør, bits, osv. i henhold til disse anvisningene, og ta hensyn til omgivelsene og arbeidet som skal utføres.** Bruk av elektroverktøy til andre formål enn det som er angitt, kan føre til farlige situasjoner.
- **Hold håndtakene og gripeflatene tørre, rene og fri for olje og fett.** Glatte håndtak og gripeflater vil gjøre det vanskelig å kontrollere verktøyet og håndtere det på en sikker måte i uventede situasjoner.
- **Hold kabler unna området der du bruker verktøyet.** Under bruk kan kablene være vanskelige å se, og de kan dermed kuttes over ved et uhell.

BRUK OG VEDLIKEHOLD AV BATTERIVERKTØY

- **Lades bare med ladere som er spesifisert av produsenten.** En lader som passer for én type batteripakke, kan gi brannfare dersom den brukes med andre batteripakker.
- **Elektroverktøyet skal bare brukes med spesifiserte batteripakker.** Bruk av andre batteripakker kan skape risiko for skader og brann.
- **Når batteriet ikke er i bruk skal det holdes unna andre metallgjenstander som binders, mynter, nøkler, spikere, skruer eller andre små metallgjenstander som kan lage forbindelse fra én terminal til en annen.** Kortslutning av batteripolene kan forårsake brannskader eller brann.
- **Under farlige forhold kan væske komme ut av batteriet. Unngå kontakt med denne. Hvis kontakt oppstår ved et uhell, skyll med vann. Får du væske i øynene, skal det i tillegg søkes medisinsk hjelp.** Væske som blir slyngt ut av batteriet, kan forårsake irritasjon eller brannskår.
- **Ikke bruk en batteripakke eller et verktøy som er skadet eller tilpasset.** Skadde eller modifiserte

batterier kan oppføre seg uforutsigbart og medføre brann, eksplosjon eller risiko for personskade.

- **Ikke eksponer batteripakken eller verktøyet for ild eller svært høye temperaturer.** Eksponering for brann eller temperatur over 100°C kan forårsake eksplosjon.
- **Følg alle ladeinstruksjonene, og ikke lad batteripakken eller verktøyet utenfor temperaturområdet som er angitt i instruksjonene.** Hvis batteriet lades på feil måte eller ved temperaturer som er utenfor det angitte området, kan batteriet bli skadet og brannrisikoen øke.

SERVICE

- **Elektroverktøyet må repareres av et kvalifisert serviceverksted som kun bruker identiske reservedeler.** Dette opprettholder sikkerheten til elektroverktøyet.
- **Batteripakker som er skadet, må aldri brukes.** Service på batteripakker må bare utføres av produsenten eller autoriserte tjenesteleverandører.

⚠ ADVARSEL! Gjør deg kjent med alle sikkerhetsadvarslene, instruksjonene, illustrasjonene og spesifikasjonene som følger med dette elektroverktøyet. Manglende etterlevelse av alle instruksjonene under kan resultere i elektrisk støt, brann og/eller alvorlig skade. Ta vare på alle advarsler og instruksjoner for fremtidig bruk.

Ta vare på alle advarsler og instruksjoner for fremtidig bruk.

OPPLÆRING

- Les, forstå og følg alle instruksjonene på maskinen og i håndboken (e) før du bruker dette verktøyet. Vær grundig kjent med kontrollene og riktig bruk av utstyret. Vet hvordan du stopper verktøyet og kobler fra kontrollene raskt.
- La aldri barn bruke utstyret. La aldri voksne bruke utstyret uten riktig instruksjon.
- Hold driftsområdet unna alle personer, spesielt små barn.
- Vær forsiktig for å unngå å skli eller falle, spesielt når du bruker snøskuffen i revers.

FORBEREDELSE

- Bruk aldri maskinen mens folk, og spesielt barn eller kjæledyr, er i nærheten.
- Bruk vernebriller og solide sko hele tiden mens du bruker maskinen.
- Avstanden mellom maskinen og tilskuere skal være minst 15 meter.

- Bruk aldri maskinen mens du er trett, syk eller påvirket av alkohol, legemidler eller andre stoffer.
- Inspiser området der utstyret skal brukes grundig, og fjern alle dørmatter, sleder, brett, ledninger og andre fremmedlegemer.
- Ikke bruk utstyret uten å ha på deg adekvate vinterplagg. Unngå løstsittende klær som kan sitte i bevegelige deler. Bruk fottøy som vil forbedre fotfeste på glatte underlag.
- Bruk alltid vernebriller eller øyeskjold under bruk eller mens du utfører en justering eller reparasjon for å beskytte øynene mot fremmedlegemer som kan kastes fra maskinen.
- Bruk skjøteledninger og stikkontakter som produsenten har spesifisert for alle enheter med elektriske startmotorer.
- Prøv aldri å justere mens motoren er i gang (bortsett fra når det er spesielt anbefalt av produsenten).

OPERASJON

- Unngå å plassere hender eller føtter under eller i nærheten av roterende deler. Hold deg alltid borte fra utløseråpningen.
- Vær ekstrem forsiktighet når du kjører på eller krysser grusstasjoner, turer eller veier. Vær våken for skjulte farer eller trafikk.
- Etter at du har truffet et fremmedlegeme, stopper du motoren, fjerner batteripakken, inspiserer snøspadeutstyret grundig for skader og reparerer skaden før du starter og bruker snøspadeutstyret.
- Hvis enheten skulle begynne å vibrere unormalt, må du stoppe motoren og sjekke umiddelbart for årsaken. Vibrasjoner er gjerne et tegn på at noe er galt.
- Stopp motoren hver gang du forlater betjeningsposisjonen, før du fjerner tilstoppingsskruen, og når du utfører reparasjoner, justeringer eller inspeksjoner.
- Vær ekstrem forsiktighet når du opererer i skråninger.
- Bruk aldri snøspadeutstyret uten riktig utstyr og andre sikkerhetsinnretninger er på plass og fungerer.
- Rett aldri utslippet mot mennesker eller områder der det kan oppstå skade på eiendom. Hold barn og andre borte.
- Ikke overbelast maskinkapasiteten ved å prøve å rydde snø for raskt.
- Aldri betjen snøskuffen ved høye transporthastigheter på glatte overflater. Se bak deg og vær forsiktig når du arbeider i revers.
- Bruk bare tilleggsutstyr og tilbehør som er godkjent av produsenten av snøspadeutstyret (for eksempel skrapebøylen).

- Bruk aldri snøspadeutstyret uten god sikt eller lys. Vær alltid sikker på fotfeste, og hold godt fast i håndtakene. Gå; aldri løpe.
- Ikke eksponer batteripakken eller verktøyet for ild eller svært høye temperaturer. Eksponering for brann eller temperatur over 100°C kan forårsake eksplosjon.
- Bruk bare batteripakkene og laderne som er oppført på fig. B.

RENGJØRING AV EN TILSTOPPET SNEGLE

Håndkontakt med den roterende sneglen er den vanligste årsaken til personskade forbundet med snøskovelfeste. Bruk aldri hånden til å rense den roterende sneglen.

Slik tømmer du skrueskivenheten:

- SLÅ AV VERKTØYET!
- Fjern batteripakken fra verktøyet.
- Vent 10 sekunder for å være sikker på at sneglen slutter å rotere.
- Bruk alltid skruens rengjøringsverktøy som er festet til maskinen som tilbehør, ikke bruk hånden.

VEDLIKEHOLD OG LAGRING

- Kontroller alle bolter eller fester med jevne mellomrom for riktig tetthet for å være sikker på at utstyret er i god driftstilstand.
- Se alltid bruksanvisningen for viktige detaljer hvis snøskuffen skal lagres i en lengre periode.
- Vedlikehold eller bytt ut sikkerhets- og instruksjonsetiketter etter behov.
- Kjør maskinen i noen minutter for å forhindre at mateskruen fryser opp.

LAGRE DENNE INSTRUKSJONEN. Slå gjerne opp i dem, og bruk dem som veiledning for andre som vil bruke verktøyet. Hvis du låner ut verktøyet til noen andre, må de også få låne disse instruksjonene, for å hindre feilbruk av produktet og mulige skader.

SPESIFIKASJONER

Merkespenning	56 V
Hastighet uten belastning	1420±10% rpm 1750±10% rpm
Arbeidsbredde	30 cm
Kasteavstand	Opptil 7,5 meter
Inntakshøyde	15 cm
Anbefalt driftstemperatur	-10-10°C

Anbefalt lagringstemperatur *For apparatet UTEN batteripakke	-20-70°C	
Vekt	5,2 kg	
Målt lydeffektnivå L_{WA}	98 dB(A) K=2,3 dB(A)	
Lydtrykknivå ved brukerens øre L_{PA}	90 dB(A) K=2,5 dB(A)	
Garantert lydeffektnivå L_{WA} (målt iht. 2000/14/EC)	100 dB(A)	
Vibrasjonsnivå a_h :	Fremre hjelpe- håndtak	4,4 m/s ² K=1,5 m/s ²
	Bakre håndtak	3,9 m/s ² K=1,5 m/s ²

NO

- Parametrene over er testet og målt sammen med verktøyet PH1400E.
- Den deklarererte totale vibrasjonsverdien er målt i samsvar med en standard testmetode og kan brukes til å sammenligne ett verktøy med et annet;
- Den deklarererte totale vibrasjonsverdien kan også brukes i en foreløpig vurdering av eksponering.

MERKNAD: Vibrasjonsutslippet under faktisk bruk av elektroverktøyet kan avvike fra den deklarererte verdien som verktøyet brukes i; For å beskytte brukeren, bør brukeren bruke hansker og hørselsvern under de faktiske bruksforholdene.

PAKKELISTE (FIG.A)

BESKRIVELSE

BLI KJENT MED DITT SNØSKUFFETILBEHØR (Fig. A)

1. Justeringsknapp for deflektor
2. Skaft
3. Tetningsskrue
4. Dekk
5. Deflektor
6. Skrapestang
7. Innmater
8. Innmatterskaft
9. Unbraconøkkel
10. Endekapsel

MONTERING

⚠ ADVARSEL: Hvis noen av delene er skadet eller mangler, må du ikke bruke dette produktet før delene er byttet. Bruk av dette produktet dersom deler er skadet eller mangler, kan føre til alvorlige personskader.

⚠ ADVARSEL: Ikke forsøk å modifisere dette produktet eller lage tilbehør som ikke anbefales for bruk med dette produktet. Enhver endring eller endring er misbruk og kan føre til en farlig tilstand som kan føre til alvorlig personskade.

UTPAKKING

- Inspiser verktøyet nøye for å sikre at det ikke oppsto brudd eller skade under forsendelsen.
- Ikke kast emballasjen før du har nøye inspisert og betjent verktøyet på en tilfredsstillende måte.

KOBLE TIL SNØSKUFFEFESTETILBEHØRET TIL STRØMHODET

Dette snøspadeutstyret er designet for bruk med EGO Power Head PH1400E.

Se delen "INSTALLERE ET TILBEHØR TIL STRØMHODET" i brukerhåndboken for strømhodet PH1400E.

FJERNING AV FESTE FRA STRØMHODET

Se avsnittet "FJERNE FESTE FRA STRØMHODET" i brukerhåndboken for strømhodet PH1400E.

OPERASJON

⚠ ADVARSEL: Ikke føl deg så trygg med dette verktøyet at du blir skjodesløs. Husk at et uforsiktig tiendedel av et sekund er nok til å forårsake alvorlige skader.

⚠ ADVARSEL: Bruk alltid vernebriller eller vernebriller med sidebeskyttelse og hel ansiktsskjerm når du bruker dette produktet. Hvis du ikke gjør det, kan det føre til at ting blir kastet i øynene dine og andre mulige alvorlige skader.

APPLIKASJONER

Du kan bruke dette produktet til formålet nedenfor:

- Rengjøring av små områder og lette arbeidsforhold som gårdsplasser, gangveier og garasjer.

BRUK AV SNØSKUFFETILBEHØRET MED STRØMHODE

⚠ ADVARSEL: Bruk aldri snøspadeutstyr på frose innsjøer, elver eller lignende overflater. Død eller alvorlig personskade kan oppstå hvis isen går i stykker.

⚠ ADVARSEL: Bruk aldri snøspadeutstyret på et tak eller et annet ustabil underlag, noe som kan føre til død eller alvorlig personskade.

⚠ ADVARSEL: Ikke bruk snøspadeutstyret på is, noe som kan føre til at operatøren sklir og faller, noe som kan føre til alvorlig personskade.

⚠ ADVARSEL: Ikke bruk løse klær, skjerv eller smykker. De kan bli fanget i bevegelige deler og forårsake død eller alvorlig personskade.

⚠ ADVARSEL: Rett aldri snøskuffen i retning av mennesker eller kjæledyr. Kastet snø eller andre gjenstander kan forårsake alvorlig personskade.

⚠ ADVARSEL: Forsikre deg om at området som skal ryddes er fritt for steiner, pinner, ledninger, grus og andre gjenstander som ved et uhell kan bli kastet av snøspadeutstyret i alle retninger og forårsake alvorlig personskade på operatøren og andre.

Når du bruker snøspadeutstyret, holder du verktøyet med et fast grep med begge hender mens det er i bruk (fig. C).

- Vær oppmerksom på vindretningen før du begynner. Når det er mulig, tøm snø i samme retning som vinden for å forhindre at snø kastes tilbake i ansiktet ditt.
- Noen deler av snøspadeutstyret kan fryse under ekstreme værforhold. Ikke prøv å bruke verktøyet med frose deler.
- Hvis verktøyet kommer i kontakt med noen form for hindring under drift, må du stoppe det og fjerne batteripakken. Kontroller verktøyet nøye før bruk.
- Hvis snøen er for tykk og dypere enn rydningsdybden, kan det ta mer enn ett pass å rydde.

Når du er ferdig, la verktøyet gå i noen minutter slik at all snø kan rense sneglen før den lagres.

FOR Å STARTE/STOPPE VERKTØYET

Se delen "STARTE/STOPPE STRØMHODET" i brukerhåndboken for strømhodet PH1400E.

DEFLEKTOR JUSTERBAR KNAPP (fig. D)

Utslippsretningen til dette snøspadeutstyret kan endres ved å dreie avbryterens justeringsknapp til venstre, fremover eller høyre.

Det maksimale justeringsområdet for knappen er 60° (30° til venstre eller høyre).

Knappen låses når den er i venstre eller høyre stilling. Trykk på knappen og vri den bakover for å låse den opp.

D-1	Låseindikator
D-2	Justeringsknapp for deflektor

VEDLIKEHOLD

GENERELT VEDLIKEHOLD

Unngå bruk av løsemidler når plastdeler skal rengjøres. De fleste plasttyper kan ta skade av ulike typer løsemidler som er i salg, og kan dermed bli ødelagt. Bruk rene kluter til å fjerne smuss, støv, olje, fett osv.

⚠ ADVARSEL: Når du rengjør snøskuffen, må den IKKE senkes i vann eller andre væsker.

MONTERING OG LØSNING AV SKRAPESTANGEN

1. Fjern batteripakken fra strømhodet.
2. Legg snøspadeutstyret på siden eller en hvilken som helst annen praktisk posisjon for skrapestangservice.
3. Fjern de fire skruene foran på skrapestangen, samt de to skruene i begge ender. Bruk en skrutrekker (ikke inkludert) for å skru dem av (fig. E & F).

E-1	Skrapestang
-----	-------------

4. Bytt ut den slitte skrapestangen med en ny, om nødvendig.
5. For å sette sammen igjen setter du inn en ny skrapestang, med de seks hullene på linje. Sett de seks skruene inn i hullene og fest dem med en skrutrekker (følger ikke med).

TRANSMISJONGIR SMØRING

Overføringshjulene i girhuset må smøres regelmessig med girfett. Kontroller fettnivået på girhuset omtrent hver 50. driftstime ved å fjerne tetningskruen på siden av saken.

Hvis det ikke kan sees fett på sidene av giret, følger du trinnene nedenfor for å fylle opp girfett opp til 3/4 kapasitet.

Ikke fyll girhuset helt.

1. Plasser tilbehøret oppreist slik at tetningskruen vender oppover (fig. G).

G-1	Girkasse
G-2	Tetningskruer

NO

2. Bruk den medfølgende multifunksjonsnøkkelen til å løse og fjerne tetningsskruen.
3. Bruk en fettsprøyte (ikke inkludert) for å injisere litt fett inn i skruerhullet; ikke overstige 3/4 kapasitet.
4. Stram tetningsskruen etter injeksjon.

TRANSPORT OG LAGRING

- Fjern batteripakken fra verktøyet.
- Rengjør verktøyet grundig før du lagrer det.

Oppbevar verktøyet på et tørt, godt ventilert sted, låst eller høyt, utilgjengelig for barn. Ikke oppbevar verktøyet på eller ved siden av gjødsel, bensin eller andre kjemikalier.

Beskytter miljøet



NO

Ikke kast elektriske apparater som usortert kommunalt avfall, bruk separate innsamlingsanlegg. Kontakt din lokale myndighet for informasjon om tilgjengelige innsamlingsystemer.

Hvis elektriske apparater kastes på søppelfyllinger eller søppelfyllinger, kan farlige stoffer lekke ut i grunnvannet og komme inn i næringskjeden, noe som kan skade helse og velvære.

FEILSØKING

PROBLEM	ÅRSAK	LØSNING
Snøspaden klarer ikke å starte.	<ul style="list-style-type: none"> ■ Utladet batteripakke ■ Låseknappen eller utløserknappen ble ikke brukt riktig. ■ Batteriet er ikke satt helt inn i huset. 	<ul style="list-style-type: none"> ■ Lade batteriet. ■ Følg avsnittet "STARTE/STOPPE STRØMHODET" i manualen for PH1400E. ■ Kontroller om batteriet er satt helt inn i huset.
Maskinen er åpenbart skadet.	<ul style="list-style-type: none"> ■ Unormal skade under transport eller bruk. 	<ul style="list-style-type: none"> ■ Ikke fortsett å bruke, send den til det utpekte reparasjonssenteret for reparasjon.
Snøspaden etterlater et tynt lag.	<ul style="list-style-type: none"> ■ Skrapestangen er slitt. 	<ul style="list-style-type: none"> ■ Bytt skrapestangen.
Uventet nedleggelse på jobb	<ul style="list-style-type: none"> ■ Overbelastet maskin ■ Batteripakken eller maskinen er overopphetet. 	<ul style="list-style-type: none"> ■ Reduser maskinens belastningsintensitet. ■ Avkjøl batteripakken eller verktøyet før du arbeider.

NO

GARANTI

EGO GARANTIPOLITIKK

Besøk nettstedet egopowerplus.com for fullstendige vilkår og betingelser for EGO-garantipolicyen.

ПРОЧИТАЙТЕ ВСЕ ИНСТРУКЦИИ



ПРОЧИТАЙТЕ РУКОВОДСТВО ПОЛЬЗОВАТЕЛЯ

Перед работой внимательно прочитайте и соблюдайте все инструкции, приведенные на устройстве и в руководстве пользователя. Хорошо освоитесь с органами управления и научитесь правильно пользоваться оборудованием. Узнайте, как быстро отключать устройство и органы управления.

⚠ ОСТАТОЧНЫЙ РИСК! Если вы используете такие электронные устройства, как кардиостимулятор, перед эксплуатацией данного устройства проконсультируйтесь с врачом. Использование электрооборудования в непосредственной близости от кардиостимулятора может привести к образованию помех и повреждению кардиостимулятора.

⚠ ПРЕДУПРЕЖДЕНИЕ. Для обеспечения безопасной и надежной работы устройства его ремонт и замену частей должен выполнять квалифицированный специалист.

СИМВОЛЫ БЕЗОПАСНОСТИ

Символы безопасности предназначены для привлечения внимания к возможным рискам. Символы безопасности, а также пояснения к ним, требуют особого внимания и понимания. Предупреждения по технике безопасности сами по себе не устраняют опасность. Инструкции и предупреждения не заменяют соответствующие меры по предотвращению несчастных случаев.

⚠ ПРЕДУПРЕЖДЕНИЕ. Перед использованием устройства внимательно прочитайте все инструкции в данном руководстве пользователя и ознакомьтесь с предупреждающими символами безопасности, такими как «ОПАСНОСТЬ», «ПРЕДУПРЕЖДЕНИЕ» и «ВНИМАНИЕ». Несоблюдение всех приведенных ниже инструкций может привести к поражению электрическим током, возникновению пожара и (или) получению серьезных травм.

УСЛОВНЫЕ ОБОЗНАЧЕНИЯ

ПРЕДУПРЕЖДАЮЩИЙ СИМВОЛ. Означает «ОПАСНОСТЬ», «ПРЕДУПРЕЖДЕНИЕ» или «ВНИМАНИЕ» и может использоваться с другими символами или изображениями.



⚠ ПРЕДУПРЕЖДЕНИЕ. В результате работы электроинструмента в глаза могут попасть посторонние предметы, что приведет к серьезному повреждению глаз. Перед началом использования электроинструмента всегда надевайте защитную маску или защитные очки с боковыми щитками и полнопрофильную защитную маску (при необходимости). Поверх очков или стандартных защитных очков рекомендуется надевать безопасную маску с широким обзором.

ИНСТРУКЦИЯ ПО ТЕХНИКЕ БЕЗОПАСНОСТИ



Меры предосторожности, касающиеся безопасности.



При работе с данным устройством всегда используйте защиту для глаз или защитные очки с боковыми щитками и полнопрофильную защитную маску.



Не приближайтесь к вращающимся лопастям.



Чтобы уменьшить риск получения травм, перед использованием устройства необходимо прочитать руководство по эксплуатации.



Не чистите желоб руками.



Во время дождя не используйте устройство и не оставляйте его вне помещения.



Соответствует основным требованиям стандартов безопасности Европейских директив.



Неисправные электрические устройства нельзя выбрасывать вместе с бытовым мусором. Сдавайте их в авторизованные пункты сбора и утилизации.

V Напряжение

см Сантиметр

— — Постоянный ток



Данное изделие соответствует действующему законодательству Великобритании.

IPX4 Защита от воздействия воды 4 степени.

мм Миллиметр

кг Килограмм

ОБЩИЕ ПРАВИЛА ТЕХНИКИ БЕЗОПАСНОСТИ ПРИ РАБОТЕ С ЭЛЕКТРОИНСТРУМЕНТАМИ

⚠ ПРЕДУПРЕЖДЕНИЕ! Прочитайте все правила безопасности, инструкции, иллюстрации и спецификации, прилагаемые к этому электроинструменту. Невыполнение изложенных ниже инструкций может привести к поражению электрическим током, пожару и (или) тяжелым травмам.

СОХРАНИТЕ ВСЕ ПРЕДУПРЕЖДЕНИЯ И ИНСТРУКЦИИ ДЛЯ ИСПОЛЬЗОВАНИЯ В БУДУЩЕМ.

Термин «электроинструмент» в предупреждениях означает электрический инструмент с питанием от сети (с кабелем) или электрический инструмент с питанием от аккумулятора (без кабеля).

БЕЗОПАСНОСТЬ РАБОЧЕГО МЕСТА

- **Обеспечьте чистоту и освещенность рабочего места.** Загроможденные и плохо освещенные места служат причиной несчастных случаев.
- **Не используйте электроинструменты во взрывоопасных местах, например вблизи горючих жидкостей, газов или пыли.** Электроинструменты генерируют искры, которые могут воспламенить пыль или испарения.
- **Не позволяйте детям и посторонним находиться вблизи работающего электроинструмента.** Отвлекающие факторы могут привести к потере контроля.

ЛИЧНАЯ БЕЗОПАСНОСТЬ

- **При использовании электроинструмента будьте бдительны, следите за своими действиями и следуйте здравому смыслу.** Не пользуйтесь электроинструментом, если

вы устали или находитесь под воздействием наркотиков, алкоголя или медикаментов. Даже кратковременная невнимательность при работе с электроинструментом может привести к тяжелым травмам.

- **Используйте средства индивидуальной защиты. Всегда используйте защитные средства для глаз.** Защитное оборудование, такое как противопылевая маска, нескользкая предохранительная обувь, жесткая каска или устройства защиты органов слуха в соответствующих условиях уменьшает риск травмирования.
- **Не допускайте случайного запуска инструмента.** Перед подключением электроинструмента к сети питания (или аккумулятору) и перед его переноской убедитесь, что выключатель находится в выключенном положении. Не держите палец на выключателе при переноске электроинструментов и не выключайте вилку в розетку, если электроинструмент включен. Это может привести к несчастному случаю.
- **Перед включением электроинструмента снимите с него регулировочные инструменты и гаечные ключи.** Регулировочный инструмент или гаечный ключ, оставленный на вращающейся части электроинструмента, может стать причиной травмы.
- **Не тянитесь. Всегда сохраняйте устойчивое положение и равновесие.** Это позволит лучше контролировать электроинструмент в непредвиденных ситуациях.
- **Одевайтесь надлежащим образом. Не надевайте свободную одежду и украшения.** Держите волосы, одежду и перчатки подальше от движущихся частей. Свободная одежда, украшения и длинные волосы могут попасть в движущиеся части.

RU

- При наличии устройств для отвода и сбора пыли убедитесь, что они подключены и правильно работают. Использование пылеулавливающих устройств снижает вред, причиняемый пылью.
- Не допускайте небрежности, которая может возникнуть из-за частого использования инструмента и повлечь за собой самоуверенность и игнорирование правил безопасности. Неосторожное действие может причинить серьезную травму за доли секунды.
- Используйте электроинструмент, аксессуары, насадки и т. п. в соответствии с этими инструкциями, учитывая условия и специфику выполняемой работы. Использование электроинструмента для выполнения непредусмотренных операций может привести к опасным ситуациям.
- Следите за тем, чтобы рукоятки и поверхности захвата были сухими и чистыми и на них не было масла или смазочного материала. Скользкие рукоятки и поверхности захвата не позволяют безопасно использовать инструмент и контролировать его в непредвиденных ситуациях.

ИСПОЛЬЗОВАНИЕ И ОБСЛУЖИВАНИЕ ЭЛЕКТРОИНСТРУМЕНТА

- Не прикладывайте к электроинструменту чрезмерных усилий. Используйте подходящий для ваших задач электроинструмент. Правильно выбранный электроинструмент более эффективен и безопасен при номинальной нагрузке.
- Не используйте электроинструмент, если его выключатель неисправен. Электроинструменты с неисправным выключателем опасны и подлежат ремонту.
- Перед извлечением застрявшего материала, регулировкой, сменой принадлежностей или хранением извлеките аккумулятор (если возможно) из электроинструмента и (или) активируйте устройство отключения аккумулятора. Такие меры предосторожности уменьшают риск случайного запуска электроинструмента.
- Храните неиспользуемые электроинструменты в местах, недоступных для детей, и не доверяйте электроинструмент лицам, не знакомым с ним и с этими инструкциями. Электроинструменты опасны в руках неподготовленных пользователей.
- Выполняйте техническое обслуживание электроинструментов и принадлежностей. Проверьте выравнивание и сцепление подвижных деталей, наличие поломок и прочие условия, которые могут повлиять на работу электроинструмента. Если электроинструмент поврежден, перед использованием его необходимо отремонтировать. Недостаточный уход за электроинструментом является причиной многих несчастных случаев.
- Храните режущие инструменты в чистоте и заточенном состоянии. Правильно обслуживаемые и хорошо заточенные режущие инструменты меньше заклинивают и лучше контролируются.

- Держите кабели подальше от рабочей зоны инструмента. Во время использования кабель может исчезнуть из поля зрения и случайно попасть под инструмент.

ЭКСПЛУАТАЦИЯ И ОБСЛУЖИВАНИЕ ИНСТРУМЕНТА С ПИТАНИЕМ ОТ АККУМУЛЯТОРА

- Заряжайте аккумулятор только с помощью зарядного устройства, указанного изготовителем. Зарядное устройство, предназначенное для одного типа аккумуляторных батарей, может стать причиной пожара при использовании с другим типом батарей.
- Используйте электроинструмент только со специально предназначенными для него аккумуляторами. Использование любого другого вида аккумуляторных батарей может стать причиной несчастных случаев или пожара.
- Когда аккумулятор не используется, храните его отдельно от металлических предметов — канцелярских скрепок, монет, ключей, гвоздей, винтов и др. — они могут соединить контакты. Короткое замыкание контактов аккумуляторной батареи может стать причиной ожогов или пожара.
- При неблагоприятных обстоятельствах из аккумулятора может потечь электролит; избегайте контакта с ним. При случайном контакте промойте водой. Если жидкость попала в глаза, обратитесь к врачу. Жидкость из аккумуляторной батареи может вызвать раздражение и ожоги.
- Не используйте аккумулятор и инструмент, если они повреждены или подвергались модификациям. Поведение поврежденных или модифицированных аккумуляторов может быть непредсказуемым, что приведет к возгоранию, взрыву и риску получения травм.

- Не подвергайте аккумуляторную батарею и инструмент воздействию огня и высокой температуры. Воздействие огня или температуры выше 100°C может привести к взрыву.
- Следуйте всем инструкциям по зарядке и не заряжайте аккумулятор и инструмент при температуре, выходящей за пределы указанного диапазона. Если зарядка выполняется неправильно или в условиях неподходящей температуры, это может привести к повреждению аккумулятора и возгоранию.

РЕМОНТ

- Ремонт электроинструмента должен производиться квалифицированным специалистом с использованием только идентичных запасных частей. Это обеспечит безопасную работу электроинструмента.
- Никогда не выполняйте обслуживание поврежденного аккумулятора. Обслуживание аккумуляторов должно выполняться только производителем или в авторизованном сервисном центре.

⚠ ПРЕДУПРЕЖДЕНИЕ! Прочитайте все правила безопасности, инструкции, иллюстрации и спецификации, прилагаемые к этому электроинструменту. Невыполнение изложенных ниже инструкций может привести к поражению электрическим током, пожару и (или) тяжелым травмам. Сохраните все предупреждения и инструкции для использования в будущем.

Сохраните все предупреждения и инструкции для использования в будущем.

ОБУЧЕНИЕ

- Перед работой внимательно прочитайте и соблюдайте все инструкции, приведенные на оборудовании и в руководстве пользователя. Хорошо освоитесь с органами управления и научитесь правильно пользоваться устройством. Узнайте, как быстро отключать инструмент и органы управления.
- Не позволяйте детям использовать устройство. Не позволяйте взрослым управлять этим устройством без предварительного ознакомления с инструкцией.
- В зоне работы не должны находиться посторонние, особенно маленькие дети.
- Будьте осторожны, не допускайте скольжения или падения, особенно при обратном ходе снегоуборочной машины.

ПОДГОТОВКА

- Не используйте устройство, если рядом находятся люди (особенно дети) или животные.
- При работе с устройством надевайте защитные очки и прочную обувь.
- Расстояние между устройством и посторонними лицами должно составлять не менее 15 м.
- Никогда не пользуйтесь устройством, если вы устали, больны или находитесь в состоянии алкогольного или наркотического опьянения.
- Тщательно осмотрите участок, где будет использоваться устройство, и уберите все коврики, санки, доски, провода и другие посторонние предметы.
- Никогда не работайте с оборудованием без зимней одежды. Избегайте ношения свободной одежды, которая может попасть в движущиеся части. Надевайте обувь, которая обеспечит устойчивость на скользкой поверхности.
- Во время работы и при выполнении каких-либо настроек или ремонта всегда надевайте защитные очки, чтобы защитить глаза от посторонних предметов, отбрасываемых устройством.
- Для всех устройств с электрическим пусковым двигателем используйте удлинительные кабели и розетки в соответствии с указаниями производителя.
- Не выполняйте какие-либо регулировки, когда двигатель устройства работает (кроме особых случаев, рекомендованных производителем).

ЭКСПЛУАТАЦИЯ

- Держите руки и ноги подальше от вращающихся деталей. Никогда не стойте возле разгрузочного отверстия.
- Будьте крайне осторожны при работе на гравийных дорожках, тротуарах и дорогах, а также при их пересечении. Остерегайтесь скрытых опасностей и дорожного движения.
- При столкновении с посторонним объектом остановите двигатель и извлеките аккумулятор. Перед повторным запуском и эксплуатацией тщательно осмотрите снегоуборочную насадку на наличие повреждений и при необходимости отремонтируйте.
- Если устройство начало сильно вибрировать, немедленно остановите двигатель и найдите причину. Обычно вибрация указывает на возникновение проблемы. Выполните следующие действия.

- Выключайте двигатель, если оставляете устройство без присмотра, перед ликвидацией засоров корпуса узла шнека, а также перед тем как проводить ремонт, проверку и настройку устройства.
- Будьте очень осторожны при использовании на склонах.
- Не используйте снегоборочную насадку без надлежащей установки соответствующих защитных ограждений или других защитных устройств.
- Никогда не направляйте разгрузочное отверстие в сторону людей или имущества, которому может быть нанесен ущерб. Не подпускайте близко детей и посторонних.
- Не перегружайте устройство, пытаясь убрать снег как можно быстрее.
- Никогда не работайте со снегоборочной насадкой на высоких скоростях по скользкой поверхности. Оглядывайтесь назад и будьте осторожны при движении в обратном направлении.
- Используйте только приспособления и аксессуары, одобренные производителем снегоборочной насадки (например, скребковую планку).
- Никогда не работайте со снегоборочной насадкой при плохой видимости и освещенности. Всегда следите за тем, чтобы находиться в устойчивом положении, и крепко держитесь за рукоятки. Передвигайтесь шагом, не бегайте с устройством.
- Не подвергайте аккумуляторную батарею и инструмент воздействию огня и высокой температуры. Воздействие огня или температуры выше 100°C может привести к взрыву.
- Используйте только аккумуляторы и зарядные устройства, перечисленные на рис. В.

ОЧИСТКА ЗАСОРИВШЕГОСЯ УЗЛА ШНЕКА

Контакт руки с вращающимся шнеком — наиболее частая причина травм, связанных с работой снегоборочной насадки. Не очищайте узел с вращающимся шнеком руками.

Чтобы очистить узел шнека:

- **ВЫКЛЮЧИТЕ ИНСТРУМЕНТ!**
- Извлеките аккумулятор из устройства.
- Подождите 10 секунд и убедитесь, что шнек перестал вращаться.
- Используйте инструмент для очистки шнека, который прилагается к устройству в качестве принадлежности. Не выполняйте очистку руками.

ОБСЛУЖИВАНИЕ И ХРАНЕНИЕ

- Часто проверяйте, плотно ли затянуты все болты и крепления — это обеспечит безопасную работу устройства.
- Если нужно убрать снегоборочную насадку на хранение на длительный период, см. инструкции в руководстве пользователя.
- Следите за состоянием этикеток с инструкциями и заменяйте их при необходимости.
- Дайте оборудованию поработать несколько минут, чтобы не допустить замерзания узла шнека.

СОХРАНИТЕ НАСТОЯЩИЕ ИНСТРУКЦИИ.

Регулярно просматривайте их и предоставляйте для ознакомления другим пользователям. Одалживая кому-либо устройство, передайте также данные инструкции для предотвращения неправильного использования и травм.

СПЕЦИФИКАЦИИ

Номинальное напряжение	56 В
Скорость вращения без нагрузки	1420 ± 10% об/мин 1750 ± 10% об/мин
Ширина полосы очистки	30 мм
Расстояние выброса	До 7,5 м
Входная высота	15 см
Рекомендуемая рабочая температура	от -10 до 10°C
Рекомендуемая температура хранения * Для оборудования БЕЗ аккумуляторной батареи	от -20 до 70°C
Масса	5,2 кг
Измеренный уровень звуковой мощности, L_{WA}	98 дБ (A) K=2,3 дБ (A)
Уровень звукового давления на уши оператора, L_{PA}	90 дБ (A) K=2,5 дБ (A)
Гарантированный уровень звуковой мощности, L_{WA} (измеренный в соответствии со стандартом 2000/14/ЕС)	100 дБ (A)

Значение вибрации $a_{н\prime}$:	Передняя вспомогательная рукоятка	4,4 м/с ² K=1,5 м/с ²
	Задняя рукоятка	3,9 м/с ² K=1,5 м/с ²

- Вышеуказанные параметры протестированы и измерены при использовании с приводным блоком РН1400Е.
- Указанное общее значение вибрации было определено с помощью стандартного теста и может быть использовано для сравнения разных инструментов.
- Указанное общее значение вибрации также может использоваться для предварительной оценки уровня воздействия.

ПРИМЕЧАНИЕ. Реальное вибрационное воздействие электроинструмента может отличаться от указанного в зависимости от способа использования. В целях безопасности оператор должен надевать перчатки и средства защиты органов слуха во время использования устройства.

КОМПЛЕКТ ПОСТАВКИ (РИС. А)

ОПИСАНИЕ

ОЗНАКОМЬТЕСЬ С УСТРОЙСТВОМ СНЕГОУБОРОЧНОЙ НАСАДКИ (Рис. А)

1. Ручка регулировки дефлектора
2. Вал
3. Уплотнительный винт
4. Платформа
5. Дефлектор
6. Скребок-планка
7. Шнек
8. Вал шнека
9. Шестигранный ключ
10. Концевой колпачок

СБОРКА

⚠ ПРЕДУПРЕЖДЕНИЕ. Если какие-либо части повреждены или отсутствуют, не используйте устройство, пока они не будут установлены. Использование устройства в случае повреждения

или отсутствия частей может привести к получению серьезной травмы.

⚠ ПРЕДУПРЕЖДЕНИЕ. Не пытайтесь изменить конструкцию устройства или создать не рекомендованные для него дополнительные приспособления. Подобное изменение считается ненадлежащим использованием и способствует возникновению опасной ситуации, которая приведет к получению серьезной травмы.

РАСПАКОВКА

- Тщательно осмотрите инструмент и убедитесь, что он не был поврежден во время транспортировки.
- Не выбрасывайте упаковочные материалы до тех пор, пока не проверите инструмент и не убедитесь в его исправной работе.

УСТАНОВКА СНЕГОУБОРОЧНОЙ НАСАДКИ НА ПРИВОДНОЙ БЛОК

Снегоуборочная насадка предназначена для использования с приводным блоком EGO РН1400Е.

См. раздел «УСТАНОВКА НАСАДОК НА ПРИВОДНОЙ БЛОК» в руководстве пользователя приводного блока РН1400Е.

ИЗВЛЕЧЕНИЕ ИНСТРУМЕНТА ИЗ ПРИВОДНОГО БЛОКА

См. раздел «СНЯТИЕ НАСАДОК С ПРИВОДНОГО БЛОКА» в руководстве по эксплуатации приводного блока РН1400Е.

ЭКСПЛУАТАЦИЯ

⚠ ПРЕДУПРЕЖДЕНИЕ. Не допускайте небрежности и беспечности при работе с устройством. Помните, что потери бдительности на долю секунды достаточно для получения серьезной травмы.

⚠ ПРЕДУПРЕЖДЕНИЕ. При работе с данным устройством используйте защиту для глаз или защитные очки с боковыми щитками и полнопрофильную защитную маску. В противном случае выбрасываемые предметы могут попасть в глаза, что приведет к получению серьезной травмы.

ПРИМЕНЕНИЕ

Данное устройство можно использовать в следующих целях.

- Уборка небольших площадей и облегченные условия эксплуатации, например дворы, пешеходные дорожки и гаражи.

ИСПОЛЬЗОВАНИЕ СНЕГОУБОРОЧНОЙ НАСАДКИ С ПРИВОДНЫМ БЛОКОМ

⚠ ПРЕДУПРЕЖДЕНИЕ. Не используйте снегоуборочную насадку на замерзших озерах, реках или других подобных поверхностях. Проплаывание льда может привести к серьезным или смертельным травмам.

⚠ ПРЕДУПРЕЖДЕНИЕ. Никогда не используйте снегоуборочную насадку на крышах и других неустойчивых поверхностях, которые могут стать причиной получения серьезных или смертельных травм.

⚠ ПРЕДУПРЕЖДЕНИЕ. Не используйте снегоуборочную насадку на льду, на котором оператор может поскользнуться или упасть, что приведет к травмам.

⚠ ПРЕДУПРЕЖДЕНИЕ. Не надевайте свободную одежду, шарфы и украшения. Они могут попасть в движущиеся части, что приведет к получению серьезных или смертельных травм.

⚠ ПРЕДУПРЕЖДЕНИЕ. Не направляйте снегоуборочную насадку в сторону людей или домашних животных. Выбрасываемый снег и другие предметы могут нанести серьезные травмы.

⚠ ПРЕДУПРЕЖДЕНИЕ. Убедитесь, что на очищаемой территории нет камней, палок, проволоки, гравия и других предметов, которые могут случайно быть выброшены снегоуборочной насадкой в любом направлении и причинить серьезные травмы оператору и другим лицам.

При использовании снегоуборочной насадки крепко держите инструмент обеими руками во время работы (Рис. С).

- Перед началом работы примите во внимание направление ветра. По возможности направление выброса снега должно совпадать с направлением ветра, чтобы снег не летел обратно оператору в лицо.
- Некоторые части навесного оборудования снегоуборочной насадки могут замерзнуть в экстремальных погодных условиях. Не пытайтесь использовать инструмент с замерзшими деталями.
- Если во время работы инструмент соприкасается с какими-либо препятствиями, остановите его и извлеките аккумулятор. Перед использованием внимательно проверьте инструмент.
- Если слой снега слишком большой, и снег глубже, чем расчищенная глубина, для его расчистки может потребоваться больше одного прохода.

Когда закончите, прежде чем убрать инструмент на хранение, дайте ему поработать несколько минут, чтобы весь снег сошел со шнека.

ВКЛЮЧЕНИЕ И ВЫКЛЮЧЕНИЕ ИНСТРУМЕНТА

См. раздел «ВКЛЮЧЕНИЕ И ВЫКЛЮЧЕНИЕ ПРИВОДНОГО БЛОКА» в руководстве пользователя приводного блока PH1400E.

РУЧКА РЕГУЛИРОВКИ ДЕФЛЕКТОРА (Рис. D)

Направление выброса снегоуборочной насадки можно изменить, поворачивая ручку регулировки дефлектора влево, вперед или вправо.

Диапазон регулировки ручки составляет 60° (30° влево или вправо).

Ручка блокируется в крайнем левом и крайнем правом положениях. Нажмите на ручку и поверните ее в обратном направлении для разблокировки.

D-1	Индикатор блокировки
D-2	Ручка регулировки дефлектора

ОБСЛУЖИВАНИЕ

ОБЩЕЕ ОБСЛУЖИВАНИЕ

Не используйте растворители для очистки пластиковых частей. Большинство пластиковых частей чувствительны к различным бытовым растворителям и могут быть повреждены. Для очистки от грязи, пыли, масла, смазки и т. п. используйте чистую ткань.

⚠ ПРЕДУПРЕЖДЕНИЕ. При очистке снегоуборочной насадки НЕ ПОГРУЖАЙТЕ ее в воду и другие жидкости.

УСТАНОВКА И ДЕМОНТАЖ СКРЕБКОВОЙ ПЛАНКИ

1. Извлеките аккумулятор из приводного блока.
2. Положите снегоуборочную насадку на бок или в любое другое удобное положение для обслуживания скребковой планки.
3. Выкрутите четыре винта в передней части скребковой планки, а также два винта с обоих концов. Для этого используйте отвертку (не входит в комплект) — рис. E и F.

E-1	Скребковая планка
-----	-------------------

4. При необходимости замените изношенную скребковую планку на новую.
5. Для повторной сборки вставьте новую скребковую

планку, совместив шесть отверстий, вставьте шесть винтов в отверстия и затяните их отверткой (не входит в комплект).

СМАЗКА ШЕСТЕРНЕЙ РЕДУКТОРА

Шестерни в редукторе необходимо периодически смазывать трансмиссионной смазкой. Проверяйте уровень смазки каждые 50 часов работы. Для этого извлеките уплотнительный винт на боковой стороне корпуса.

Если по бокам шестерней не видно следов смазки, выполните указанные ниже действия, чтобы залить трансмиссионную смазку на 3/4 объема.

Не заливайте корпус редуктора полностью.

1. Расположите насадку вертикально, чтобы уплотнительный винт был направлен вверх (Рис. G).

G-1	Корпус редуктора
G-2	Уплотнительный винт

2. Используйте прилагаемый многофункциональный гаечный ключ, чтобы открутить и извлечь уплотнительный винт.
3. Используйте смазочный шприц (не входит в комплект), чтобы впрыснуть немного смазки в отверстие для винта (не более 3/4 объема).
4. Закрутите уплотнительный винт после смазки.

ТРАНСПОРТИРОВКА И ХРАНЕНИЕ

- Извлеките аккумулятор из устройства.
- Тщательно очистите устройство перед хранением.

Храните инструмент в сухом, хорошо проветриваемом, закрытом или высоком месте, недоступном для детей. Не храните инструмент рядом с удобрениями, бензином или другими химическими веществами.

Защита окружающей среды



Не выбрасывайте электроприборы вместе с неотсортированными городскими отходами; пользуйтесь специальными пунктами сбора вторсырья. Для получения информации о доступных пунктах сбора вторсырья свяжитесь с представителями местных органов власти.

При утилизации электрических устройств на свалках в подземные воды могут просочиться опасные вещества, которые затем попадут в пищевую цепь и приведут к общему ухудшению здоровья и благополучия.

УСТРАНЕНИЕ НЕПОЛАДОК

ПРОБЛЕМА	ПРИЧИНА	РЕШЕНИЕ
Снегоуборочная насадка не запускается.	<ul style="list-style-type: none"> ■ Разряжен аккумулятор. ■ Кнопка отключения или пусковой выключатель использовались неправильно. ■ Аккумулятор не полностью вставлен в корпус. 	<ul style="list-style-type: none"> ■ Зарядите аккумулятор. ■ Следуйте инструкциям в разделе «ЗАПУСК / ОСТАНОВКА ПРИВОДНОГО БЛОКА» в руководстве для RH1400E. ■ Убедитесь, что аккумулятор полностью вставлен в корпус.
Оборудование повреждено.	<ul style="list-style-type: none"> ■ Устройство было повреждено при транспортировке или использовании. 	<ul style="list-style-type: none"> ■ Прекратите использование инструмента, передайте его в сервисный центр для ремонта.
Снегоуборочная насадка оставляет тонкий слой.	<ul style="list-style-type: none"> ■ Изношена скребковая планка. 	<ul style="list-style-type: none"> ■ Замените скребковую планку.
Неожиданное отключение при работе.	<ul style="list-style-type: none"> ■ Оборудование перегружено. ■ Аккумулятор или оборудование перегрелись. 	<ul style="list-style-type: none"> ■ Уменьшите интенсивность нагрузки на оборудование. ■ Перед продолжением работы дайте остыть аккумуляторной батарее или инструменту.

RU

ГАРАНТИЯ

ГАРАНТИЙНАЯ ПОЛИТИКА EGO

Посетите веб-сайт egopowerplus.com, чтобы ознакомиться со всеми условиями и сроками гарантийной политики EGO.

PRZECZYTAJ WSZYSTKIE INSTRUKCJE



PRZECZYTAJ INSTRUKCJĘ OBSŁUGI

Przed rozpoczęciem używania urządzenia należy przeczytać i zrozumieć wszystkie polecenia podane na urządzeniu oraz w instrukcji. Następnie należy się do nich zastosować. Należy dokładnie zapoznać się z elementami sterującymi i metodami poprawnej obsługi maszyny. Użytkownik musi wiedzieć jak zatrzymać urządzenie i szybko wyłączyć przelączniki sterujące.

⚠ Ryzyko resztkowe! Osoby z urządzeniami elektronicznymi, takimi jak rozruszniki serca, powinny przed użyciem produktu skonsultować się ze swoim(i) lekarzem/-ami. Używanie urządzeń elektrycznych blisko rozrusznika serca może spowodować zakłócenia lub uszkodzić rozrusznik.

⚠ OSTRZEŻENIE: Aby zagwarantować bezpieczeństwo i niezawodność, wszystkie naprawy i wymiany części powinny być wykonywane przez wykwalifikowanych techników serwisu.

SYMBOLE BEZPIECZEŃSTWA

Celem symboli bezpieczeństwa jest zwrócenie uwagi użytkownika na możliwe zagrożenia. Symbole bezpieczeństwa i objaśnienia do nich zasługują na to, aby je uważnie przestudiować i zrozumieć. Symbole bezpieczeństwa nie eliminują same z siebie jakichkolwiek zagrożeń. Podawane w nich instrukcje i ostrzeżenia nie zastępują odpowiednich środków zapobiegania wypadkom.

⚠ OSTRZEŻENIE: Przed użyciem narzędzia należy koniecznie przeczytać ze zrozumieniem wszystkie instrukcje dotyczące bezpieczeństwa podane w podręczniku użytkownika, łącznie z wszystkimi symbolami ostrzegawczymi takimi jak „NIEBEZPIECZEŃSTWO”, „OSTRZEŻENIE” i „OSTROŻNIE”. Niestosowanie się do wszystkich podanych niżej instrukcji może doprowadzić do porażenia prądem, pożaru i/lub poważnych urazów ciała.

PL

ZNACZENIE SYMBOLI

SYMBOL OSTRZEGAWCZY: Oznacza **NIEBEZPIECZEŃSTWO**, **OSTRZEŻENIE** lub **UWAGĘ**, może być używany razem z innymi symbolami lub piktogramami.



⚠ OSTRZEŻENIE: Praca elektronarzędziami może spowodować wyrzucenie ciał obcych w oczy użytkownika, co może doprowadzić do poważnych urazów oczu. Przed rozpoczęciem pracy elektronarzędziem należy zawsze założyć gogle ochronne lub okulary z osłonami bocznymi, a w stosownych przypadkach także pełną osłonę na twarz. Zalecamy nakładanie na zwykłe okulary maski zabezpieczającej o szerokim polu widzenia lub stosowanie standardowych okularów zabezpieczających z osłonami bocznymi.

INSTRUKCJE DOTYCZĄCE BEZPIECZEŃSTWA

Na tej stronie pokazano i opisano symbole bezpieczeństwa, które mogą występować na produkcie. Przed podjęciem próby złożenia i użycia urządzenia należy przeczytać i zrozumieć wszystkie instrukcje dotyczące narzędzia oraz zastosować się do nich.



Ostrzeżenia istotne dla bezpieczeństwa użytkownika.



Aby zmniejszyć ryzyko urazów, przed rozpoczęciem korzystania z produktu użytkownik musi przeczytać instrukcję.



Podczas używania produktu należy zawsze nosić gogle ochronne lub okulary ochronne z osłonami bocznymi, a także pełną osłonę na twarz.



Nie używaj dłoni do przetykania kominą wyrzutowego.



Trzymaj stopy z dala od obracającego się wirnika.



Ten produkt jest zgodny z obowiązującymi dyrektywami WE.



Zużytych wyrobów elektrycznych nie należy wyrzucać razem ze zwykłymi odpadami domowymi. Należy je oddać do autoryzowanego punktu recyklingu.

V Napięcie

cm Centymetr

Prąd stały



Nie używaj w deszczu i nie zostawiaj na dworze podczas deszczu.



Ten produkt jest zgodny z obowiązującymi dyrektywami UK.

IPX4 Zabezpieczenie przed dostawianiem się wody do środka, stopień 4.

mm Milimetr

kg Kilogram

OGÓLNE OSTRZEŻENIA DOTYCZĄCE BEZPIECZEŃSTWA UŻYWANIA ELEKTRONARZĘDZI

PL

⚠ OSTRZEŻENIE! Prosimy przeczytać wszystkie dotyczące narzędzia ostrzeżenia i instrukcje oraz przestudiować ilustracje i specyfikację. Niestosowanie się do wszystkich podanych niżej instrukcji może doprowadzić do porażenia prądem, pożaru i/lub poważnych obrażeń.

WSZYSTKIE OSTRZEŻENIA I INSTRUKCJE NALEŻY ZACHOWAĆ NA PRZYSZŁOŚĆ.

Termin „elektronarzędzie” występujący w ostrzeżeniach dotyczy narzędzia elektrycznego o zasilaniu sieciowym (przewodowego) lub akumulatorowym (beprzewodowego).

BEZPIECZEŃSTWO W MIEJSCU PRACY

- Należy dbać o czystość i dobre oświetlenie w miejscu pracy. Bałagan i złe oświetlenie sprzyjają wypadkom.
- Nie należy używać elektronarzędzi w miejscach zagrożonych wybuchem, np. w obecności łatwopalnych cieczy, gazów lub pyłu. Elektronarzędzia wytwarzają iskry, które mogą zapalić opary lub pył.
- W czasie pracy elektronarzędzie należy trzymać z dala od dzieci i osób postronnych. Chwila nieuwagi może spowodować utratę kontroli nad urządzeniem.

BEZPIECZEŃSTWO OSOBISTE

- Podczas pracy narzędziem należy zachowywać czujność, patrzeć, co się robi i kierować się zdrowym rozsądkiem. Nie należy używać elektronarzędzia, gdy użytkownik jest zmęczony,

albo jest pod wpływem narkotyków, alkoholu lub leków. Chwila nieuwagi w czasie posługiwania się elektronarzędziami może spowodować poważne obrażenia.

- Należy używać środków ochrony osobistej. Należy zawsze nosić okulary ochronne. Stosowanie w odpowiednich warunkach sprzętu ochronnego takiego jak np. maska przeciwpyłowa, obuwie ochronne z podeszwami antypoślizgowymi, kask lub ochronniki słuchu zmniejszy ewentualne obrażenia.
- Nie należy dopuszczać do przypadkowego włączenia. Należy pilnować, aby przed podłączeniem narzędzia do zasilania i/lub baterii akumulatorowej oraz przed podniesieniem i przeniesieniem przelącznik był ustawiony w pozycji „wylączone”. Trzymanie palca na przelączniku włączającym w czasie przenoszenia elektronarzędzi lub podłączanie ich do zasilania, gdy przelącznik ustawiony jest w pozycji „włączone”, może doprowadzić do wypadku.
- Przed włączeniem elektronarzędzia należy usunąć wszystkie klucze regulacyjne i inne narzędzia. Klucz zaczepiony o obracającą się część elektronarzędzia może spowodować obrażenia.
- Nie należy sięgać za daleko. Należy zawsze dbać o utrzymanie równowagi i pewne podparcie nóg. W nieprzewidzianych sytuacjach zapewnia to lepszą kontrolę nad elektronarzędziem.
- Należy nosić odpowiednią odzież. Nie powinno się nosić luźnych ubrań ani biżuterii. Włosy, odzież i rękawice należy trzymać z dala od poruszających się części. Luźne ubranie, biżuteria lub długie włosy mogą zaczepić się o poruszające się części.
- Jeżeli urządzenie jest przystosowane do

podłączenia do odsysacza pyłu i urządzenia zbierającego, należy dopilnować, aby systemy te były podłączone i właściwie stosowane. Używanie urządzeń służących do pochłaniania pyłu może zmniejszyć zagrożenia związane z pyłem.

- **Nie wolno dopuścić do tego, aby poczucie znajomości narzędzia wynikające z jego częstego używania doprowadziło do lekceważenia i ignorowania zasad bezpieczeństwa.** Jedno lekkomyślne działanie może w ułamku sekundy doprowadzić do ciężkich urazów.

UŻYWANIE I KONSERWOWANIE ELEKTRONARZĘDZI

- **Elektronarzędzia nie należy forsować.** Należy używać narzędzia dostosowanego do wykonywanej pracy. Odpowiednie narzędzie elektryczne wykona pracę lepiej i bezpieczniej, gdy pozwoli mu się pracować z prędkościami/obrotami do jakich zostało zaprojektowane.
- **Nie należy używać elektronarzędzia, jeżeli przełącznik zasilania nie włącza go lub nie wyłącza.** Elektronarzędzie, którego nie da się kontrolować przełącznikiem, jest potencjalnie niebezpieczne i wymaga naprawy.
- **Przed usunięciem zakleszczonych gałęzi jakkolwiek regulacją, wymianą akcesoriów, czyszczeniem lub schowaniem elektronarzędzia należy wyjąć z narzędzia akumulator (o ile się da).** Tego typu zapobiegawcze środki ostrożności zmniejszają ryzyko przypadkowego włączenia się elektronarzędzia.
- **Nie używane elektronarzędzia należy przechowywać w miejscu niedostępnym dla dzieci.** Osobom, które nie znają narzędzia lub nie zapoznały się z instrukcją nie należy pozwalać go używać. W rękach nieprzeszkolonych użytkowników elektronarzędzia mogą stanowić zagrożenie.
- **Elektronarzędzia i akcesoria należy utrzymywać w dobrym stanie.** Należy kontrolować, czy części ruchome nie są odchylone od osi, nie zacinają się i nie są pęknięte lub uszkodzone w inny sposób, który mógłby wpłynąć na działanie elektronarzędzia. **W razie uszkodzenia, przed użyciem narzędzie należy oddać do naprawy.** Wiele wypadków wynika ze złej konserwacji elektronarzędzi.
- **Należy dbać o czystość i naostrzenie narzędzi tnących.** Odpowiednio utrzymane narzędzia tnące z ostrymi krawędziami tnącymi są mniej narażone na zakleszczanie się i łatwiej jest je kontrolować.
- **Elektronarzędzi, akcesoriów, wiertel, bitów, itp.**

należy używać zgodnie z niniejszą instrukcją, z uwzględnieniem warunków i rodzaju wykonywanej pracy. Korzystanie z elektronarzędzi niezgodnie z przeznaczeniem może prowadzić do niebezpiecznych sytuacji.

- **Należy dbać o to, aby powierzchnia uchwytów była sucha, czysta i niezaplamiiona olejem lub smarem.** Śliskie uchwyty nie pozwalają w bezpieczny sposób kontrolować narzędzia w nieprzewidzianych sytuacjach.
- **Kable należy trzymać z dala od strefy pracy narzędzia.** W czasie użytkowania kable mogą się schować w krzakach i mogą zostać przypadkowo uszkodzone przez narzędzie.

UŻYWANIE I KONSERWOWANIE NARZĘDZI AKUMULATOROWYCH

- **Do ładowania należy używać wyłącznie ładowarki wskazanej przez producenta.** Użycie ładowarki pochodzącej od jednego akumulatora do ładowania innego akumulatora grozi pożarem.
- **Elektronarzędzi należy używać wyłącznie z dedykowanymi do nich akumulatorami.** Użycie jakichkolwiek innych akumulatorów grozi obrażeniami i pożarem.
- **Jeżeli akumulator nie jest używany, należy go przechowywać z dala od innych przedmiotów metalowych, np. spinaczy, monet, kluczy, gwoździ, śrub i innych drobnych przedmiotów metalowych, które mogłyby spowodować zwarcie wyprowadzeń akumulatora.** Zwarcie wyprowadzeń akumulatora może doprowadzić do oparzenia lub pożaru.
- **W niesprzyjających warunkach może dojść do wycieku cieczy z akumulatora.** Należy wtedy unikać wszelkiego kontaktu z tą cieczą. W razie przypadkowego kontaktu ze skórą, zabrudzone miejsce należy obficie przemyć wodą. Jeżeli płyn dostanie się do oczu, należy dodatkowo zasięgnąć porady lekarza. Płyn wyciekający z akumulatora może powodować podrażnienie lub oparzenia.
- **Nie należy używać akumulatorów lub narzędzi, które są uszkodzone lub zostały poddane przeróbkom.** Uszkodzone lub zmodyfikowane akumulatory mogą zachowywać się w sposób nieprzewidywalny, co może doprowadzić do pożaru lub wybuchu lub stwarzać ryzyko urazów.
- **Nie należy narażać akumulatora lub narzędzia na kontakt z ogniem lub zbyt wysokimi temperaturami.** Ogień lub temperatury przekraczające 100°C mogą doprowadzić do wybuchu.
- **Należy przestrzegać wszystkich instrukcji ładowania.** Nie należy ładować akumulatora lub

narzędzia poza przedziałem temperatur podanym w instrukcji. Ładowanie w sposób nieprawidłowy lub w temperaturze wykraczającej poza określony zakres może doprowadzić do uszkodzenia akumulatora i zwiększa ryzyko pożaru.

SERWISOWANIE

- Serwisowanie elektronarzędzia należy powierzać wykwalifikowanemu serwisantowi, a do naprawy używać wyłącznie części zamiennych identycznych z oryginalnymi. Zapewni to bezpieczeństwo eksploatacji elektronarzędzia.
- Uszkodzonych akumulatorów nie należy nigdy naprawiać. Jakikolwiek czynności serwisowe przy akumulatorach powinny być wykonywane wyłącznie przez producenta lub pracowników autoryzowanego serwisu.

⚠ OSTRZEŻENIE! Prosimy przeczytać wszystkie dotyczące narzędzia ostrzeżenia i instrukcje oraz przestudiować ilustracje i specyfikację. Niestosowanie się do wszystkich podanych niżej instrukcji może doprowadzić do porażenia prądem, pożaru i/lub poważnych obrażeń. Prosimy zachować na przyszłość wszystkie ostrzeżenia i instrukcje.

Prosimy zachować na przyszłość wszystkie ostrzeżenia i instrukcje.

SZKOLENIE

- Przed rozpoczęciem używania narzędzia należy przeczytać i zrozumieć wszystkie polecenia podane na maszynie oraz w instrukcji. Następnie należy się do nich zastosować. Należy dokładnie zapoznać się z elementami sterującymi i metodami poprawnej obsługi urządzenia. Użytkownik musi wiedzieć jak zatrzymać narzędzie i szybko wyłączyć przełączniki sterujące.
- Nigdy nie należy pozwalać dzieciom obsługiwać urządzenia. Nigdy nie należy pozwalać dorosłym obsługiwać narzędzia bez odpowiedniego poinstruowania ich.
- W strefie pracy nie mogą przebywać żadne osoby, w szczególności dzieci.
- Aby nie pośliznąć się i nie upaść, należy zachowywać ostrożność, zwłaszcza podczas cofania odśnieżarki.

PRZYGOTOWANIE

- Nigdy nie należy używać urządzenia, gdy w pobliżu znajdują się ludzie (zwłaszcza dzieci) lub zwierzęta domowe.
- W czasie używania urządzenia należy nosić okulary i solidne buty.

- Odległość między narzędziem a osobami postronnymi musi wynosić co najmniej 15 metrów.
- Nigdy nie należy używać narzędzia, gdy operator jest zmęczony, chory albo pod wpływem alkoholu lub narkotyków.
- Teren, na którym będzie używane urządzenie, należy dokładnie sprawdzić. Wszystkie wycieraczki, sanki, deski, druty i inne przedmioty należy usunąć.
- Nie należy używać urządzenia bez założenia odpowiedniej odzieży zimowej. Należy unikać luźnych ubrań, które mogłyby się zaczepić o poruszające się części. Należy nosić obuwie poprawiające przyczepność na śliskich powierzchniach.
- W celu ochrony oczu przed przedmiotami, które mogłyby zostać wyrzucone w powietrze przez maszynę, w czasie użytkowania, regulacji lub naprawy należy zawsze nosić okulary ochronne lub inne osłony ochronne na oczy.
- Do wszystkich urządzeń z silnikami z elektrycznym zapłonem należy używać przedłużaczy i kontaktów takich, jak określił producent.
- Nigdy nie należy próbować dokonywać regulacji w czasie pracy silnika (z wyjątkiem sytuacji, w których jest to wyraźnie zalecane przez producenta).

UŻYTKOWANIE

- Nie należy kłaść dłoni ani stawiać stóp w pobliżu obracających się części lub pod nimi. Należy się zawsze trzymać z dala od otworu wyrzutowego.
- Podczas przekraczania żwirowych alejek, ścieżek lub dróg oraz w czasie pracy na nich należy zachować szczególną ostrożność. Należy zawsze zachowywać czujność, uważać na ukryte zagrożenia i ruch drogowy.
- Po uderzeniu w jakiś przedmiot należy wyłączyć silnik, wyjąć akumulator, dokładnie skontrolować końcówkę-odśnieżarkę pod kątem ewentualnych uszkodzeń i przed jej ponownym włączeniem i użyciem naprawić wszelkie usterki.
- Jeśli urządzenie zaczyna nienormalnie drgać, należy wyłączyć silnik i natychmiast sprawdzić, co jest przyczyną. Wibracje są na ogół sygnałem ostrzegającym o problemach.
- Przed opuszczeniem strefy pracy, odtykaniem obudowy wirnika oraz na czas przeprowadzania napraw, regulacji i kontroli należy wyłączać silnik.
- Podczas pracy na pochyłościach należy zachować szczególną ostrożność.
- Nigdy nie należy używać końcówki-odśnieżarki bez założenia na miejsce odpowiednich osłon i innych zabezpieczeń i upewnienia się, że działają.

- Nigdy nie należy kierować kominą wyrzutowego w stronę ludzi lub miejsc, w których może dojść do zniszczenia mienia. Dzieci i inne osoby postronne należy trzymać z daleka.
- Maszyny nie należy przeciążać przez dążenie do zbyt szybkiego odśnieżenia.
- Na śliskich powierzchniach nigdy nie należy używać odśnieżarki z dużą prędkością. Podczas cofania się należy patrzeć za siebie oraz zachowywać ostrożność.
- Należy używać tylko osprzętu i akcesoriów zatwierdzonych przez producenta końcówki-odśnieżarki (takich jak belka zgarniająca).
- Nigdy nie należy włączać odśnieżarki, jeżeli użytkownik nie ma dobrej widoczności lub oświetlenia. Należy zawsze pilnować, gdzie się stawia stopy i mocno trzymać uchwyty. Należy chodzić, a nie biegać.
- Nie należy narażać akumulatora lub narzędzia na kontakt z ogniem lub zbyt wysokimi temperaturami. Ogień lub temperatury przekraczające 100°C mogą doprowadzić do wybuchu.
- W urządzeniu należy używać wyłącznie akumulatorów i ładowarek podanych na rys. B.

ODTYKANIE ZAPCHANEGO WIRNIKA

Dotknięcie ręką obracającego się wirnika jest najczęstszą przyczyną urazów doznanych podczas pracy odśnieżarkami. Do czyszczenia obracającego się wirnika nigdy nie należy używać dłoni.

Aby wyczyścić zespół wirnika, należy:

- WYŁĄCZYĆ NARZĘDZIE!
- Wyjąć akumulator z narzędzia.
- Odczekać 10 sekund, aby mieć pewność, że wirnik przestał się kręcić.
- Zawsze używać narzędzia do czyszczenia wirnika, które jest przymocowane do maszyny jako narzędzie dodatkowe; nie wolno tego robić ręką.

KONSERWACJA I PRZECHOWYWANIE

- Aby mieć pewność, że urządzenie jest bezpieczne i nadaje się do użytkowania, w regularnych odstępach czasu należy kontrolować wszystkie śruby i elementy mocujące pod kątem ich właściwego dokręcenia.
- Jeśli końcówka-odśnieżarka ma być przechowywana przez dłuższy czas, należy zawsze sprawdzić stosowne informacje w instrukcji obsługi.
- Etykiety z informacjami o bezpieczeństwie i instrukcjami należy konserwować lub wymieniać, odpowiednio do potrzeb.

- Włączyć maszynę na kilka minut, aby zapobiec zamarznięciu zespołu wirnika.

NINIEJSZĄ INSTRUKCJĘ NALEŻY ZACHOWAĆ.

Zachęcamy do częstego korzystania z niej. Instrukcja może też posłużyć do przeszkolenia innych osób, które będą używały narzędzia. Jeśli narzędzie zostanie komuś pożyczone, osobie tej należy również udostępnić niniejszą instrukcję, aby zapobiec niewłaściwemu użytkowaniu i możliwym urazom.

SPECYFIKACJA

Napięcie znamionowe	56 V	
Prędkość bez obciążenia	1420±10% obr./min 1750±10% obr./min	
Szerokość odśnieżania	30 cm	
Odległość wyrzutu	Do 7,5 m	
Wysokość pobierania	15 cm	
Zalecana temperatura użytkowania	-10-10°C	
Zalecana temperatura przechowywania *Dotyczy urządzenia BEZ akumulatora	-20-70°C	
Ciężar	5,2 kg	
Zmierzony poziom mocy akustycznej L_{WA}	98 dB(A) K=2,3 dB(A)	
Poziom ciśnienia akustycznego na wysokości ucha operatora L_{PA}	90 dB(A) K=2,5 dB(A)	
Gwarantowany poziom mocy akustycznej L_{WA} (pomiar zgodnie z dyrektywą 2000/14/WE)	100 dB(A)	
Szacunkowe drgania $a_{h,v}$:	Przedni uchwyt pomocniczy	4,4 m/s ² K=1,5 m/s ²
	Uchwyt tylny	3,9 m/s ² K=1,5 m/s ²

- Powyższe parametry są testowane i mierzone na głowicy uniwersalnej PH1400E.
- Deklarowana całkowita wartość drgań została zmierzona zgodnie ze standardowymi metodami testowania i może służyć do porównywania różnych narzędzi.

- Deklarowana całkowita wartość drgań może również służyć do wstępnej oceny narażenia na drgań.

UWAGA: Emisja drgań podczas rzeczywistego stosowania elektronarzędzia może różnić się od deklarowanej wartości, w której narzędzie jest używane. Aby się zabezpieczyć, w rzeczywistych warunkach użytkowania użytkownik powinien nosić rękawice i nauszniki ochronne.

LISTA ELEMENTÓW W OPAKOWANIU (RYS. A)

OPIS

POZNAJ SWOJĄ KOŃCÓWKĘ-ODŚNIEŻARKĘ (Rys. A)

1. Pokrętko regulacji deflektora
2. Trzonek
3. Śruba uszczelniająca
4. Korpus
5. Deflektor
6. Belka zgarniająca
7. Wirmik
8. Oś wirnika
9. Klucz imbusowy
10. Zaślepka

MONTAŻ

⚠ OSTRZEŻENIE: W przypadku braku lub uszkodzenia którejs z części nie należy uruchamiać urządzenia aż do momentu wymiany lub naprawy części. Używanie urządzenia z uszkodzonymi częściami lub gdy którejs z części brakuje może doprowadzić do poważnych urazów ciała.

⚠ OSTRZEŻENIE: Nie należy próbować przerabiać urządzenia lub tworzyć akcesoriów, które nie są zalecane do używania w produkcie. Wszelkie tego typu zmiany lub modyfikacje są niedozwolone i mogą prowadzić do niebezpiecznych sytuacji oraz poważnych urazów ciała.

ROZPAKOWANIE

- Aby się upewnić, że w czasie transportu nie doszło do żadnych usterek i uszkodzeń, narzędzie należy dokładnie skontrolować.
- Zanim dokładnie nie sprawdzi się narzędzia i nie przekona się o jego poprawnym działaniu, nie należy wyrzucać opakowania.

ZAKŁADANIE KOŃCÓWKI-ODŚNIEŻARKI NA GŁOWICĘ UNIWERSALNĄ

Końcówka-odśnieżarka została zaprojektowana do używania z głowicą uniwersalną EGO Power Head PH1400E.

Więcej informacji podano w części „ZAKŁADANIE KOŃCÓWKI NA GŁOWICĘ UNIWERSALNĄ” w instrukcji do głowicy uniwersalnej PH1400E.

ZDEJMOWANIE KOŃCÓWKI Z GŁOWICY UNIWERSALNEJ

Patrz część „ZDEJMOWANIE KOŃCÓWKI Z GŁOWICY UNIWERSALNEJ” w instrukcji obsługi głowicy uniwersalnej PH1400E.

UŻYTKOWANIE

⚠ OSTRZEŻENIE: Nie wolno dopuścić do tego, aby znajomość narzędzia doprowadziła do nieuwagi. Należy pamiętać, że do spowodowania poważnych obrażeń wystarczy zaledwie chwila nieuwagi.

⚠ OSTRZEŻENIE: Podczas używania produktu należy zawsze nosić gogle ochronne lub okulary ochronne z osłonami bocznymi oraz pełną osłonę na twarz. Nieprzestrzeganie tego zalecenia może doprowadzić do poważnych obrażeń oczu odłamkiem lub skrawkiem materiału wyrzucanym przez pracujące narzędzie, a także grozi innymi możliwymi urazami.

ZASTOSOWANIA

Urządzenia można używać wyłącznie do celów podanych poniżej:

- Czyszczenie małych powierzchni takich jak podwórza, chodniki i garaże w lekkich warunkach pracy.

UŻYWANIE KOŃCÓWKI-ODŚNIEŻARKI ZAŁOŻONEJ NA GŁOWICĘ UNIWERSALNĄ

⚠ OSTRZEŻENIE: Nigdy nie należy używać odśnieżarki na zamrzniętych jeziorach, rzekach lub podobnych powierzchniach. Załamanie się lodu grozi śmiercią lub ciężkimi urazami.

⚠ OSTRZEŻENIE: Odśnieżarki nie należy nigdy używać na dachach lub innych niestabilnych powierzchniach, tego typu zastosowanie grozi śmiercią lub ciężkimi urazami ciała.

⚠ OSTRZEŻENIE: Odśnieżarki nie należy używać na lodzie, ponieważ grozi to poślizgnięciem się i upadkiem, a w konsekwencji potencjalnie ciężkimi urazami ciała.

⚠ OSTRZEŻENIE: Nie należy nosić luźnych ubrań, chust ani biżuterii. Mogą one wkręcić się w poruszające się części, co może doprowadzić do śmierci lub ciężkich urazów ciała.

⚠ OSTRZEŻENIE: Końcówki-odsnieżarki nigdy nie wolno kierować w stronę ludzi lub zwierząt. Wyrzucany śnieg lub inne wyrzucone przedmioty mogą spowodować poważne urazy ciała.

⚠ OSTRZEŻENIE: Należy dopilnować, aby na odsnieżanym terenie nie było kamieni, patyków, drutów, żwiru i innych przedmiotów, które mogłyby zostać przypadkowo i w niewiadomym kierunku wyrzucone przez odsnieżarkę, a w konsekwencji spowodować ciężkie urazy ciała u operatora lub osób postronnych.

Podczas używania końcówki-odsnieżarki należy mocno trzymać narzędzie obiema rękoma (Rys. C).

- Przed rozpoczęciem pracy należy zorientować się, z której strony wieje wiatr. Jeśli jest to możliwe, śnieg należy wysypywać z wiatrem, tak aby śnieg nie był zdmuchiwany przez wiatr w twarz użytkownika.
- W ekstremalnych warunkach pogodowych niektóre części końcówki-odsnieżarki mogą zamarznąć. Nie należy próbować używać narzędzia, którego części zamarzną.
- Jeśli w czasie pracy narzędzie dotknie jakiegokolwiek przeszkody, należy je zatrzymać i wyjąć z niego akumulator. Przed użyciem należy dokładnie skontrolować narzędzie.
- Jeśli śnieg jest zbyt zbity i głębszy niż głębokość oczyszczania, odgarnięcie śniegu może wymagać więcej niż jednorazowego użycia narzędzia.

Po zakończeniu należy pozwolić, aby narzędzie przez kilka minut popracowało, aby przed schowaniem narzędzia usunąć z wornika cały śnieg.

WŁĄCZANIE/WYŁĄCZANIE NARZĘDZIA

Więcej informacji – patrz część „**WŁĄCZANIE/ WYŁĄCZANIE GŁOWICY UNIWERSALNEJ**” w instrukcji do głowicy uniwersalnej PH1400E.

POKRĘTŁO REGULACJI DEFLEKTORA (Rys. D)

Kierunek wyrzutu śniegu z odsnieżarki można zmienić przez przekręcenie pokrętła regulacji deflektora w lewo, do przodu lub w prawo.

Maksymalny zakres regulacji pokrętła wynosi 60° (po 30° w lewo lub w prawo).

Gdy pokrętło znajdzie się w pozycji maksymalnie w lewo lub maksymalnie w prawo, zostaje ono zablokowane. Aby je odblokować, wystarczy nacisnąć pokrętło i przekręcić je wstecz.

D-1	Wskaźnik blokady
D-2	Pokrętło regulacji deflektora

KONSERWACJA

KONSERWACJA OGÓLNA

Podczas czyszczenia części plastikowych należy unikać używania rozpuszczalników. Pod wpływem kontaktu z różnego rodzaju rozpuszczalnikami dostępnymi w handlu większość tworzyw może ulec uszkodzeniu. Do usuwania zabrudzeń, kurzu, oleju, smaru itp. należy używać czystych ściereczek.

⚠ OSTRZEŻENIE: Podczas czyszczenia końcówki-odsnieżarki, NIE WOLNO zanurzać jej w wodzie ani innych płynach.

MONTAŻ I ODCZEPIANIE BELKI ZGARNIAJĄCEJ

1. Wyjąć akumulator z głowicy uniwersalnej.
2. Położyć końcówkę-odsnieżarkę na boku lub w innej pozycji umożliwiającej wygodne wykonanie czynności serwisowych przy belce zgarniającej.
3. Wykręcić cztery śruby z przodu belki zgarniającej oraz dwie śruby na obu końcach. Aby je odkręcić, użyć śrubokręta (do dokupienia osobno) (Rys. E i F).

E-1	Belka zgarniająca
-----	-------------------

4. W razie potrzeby użytą belkę zgarniającą należy wymienić na nową.
5. Aby ją ponownie zamontować, należy włożyć nową belkę zgarniającą, dopasować 6 otworów, włożyć w nie 6 śrub i dokręcić je śrubokrętem (do dokupienia osobno).

SMAROWANIE PRZEKŁADNI TRANSMISYJNEJ

Przekładnia transmisyjna wymaga okresowego smarowania smarem do przekładni. Co 50 godzin pracy, należy kontrolować stan smaru w obudowie przekładni: w tym celu należy wykręcić śrubę uszczelniającą z boku obudowy.

Jeśli po bokach przekładni nie widać w ogół smaru, należy wykonać kroki podane poniżej w celu napełnienia obudowy smarem do 3/4 pojemności.

Obudowy przekładni transmisyjnej nie należy całkowicie napełniać.

1. Ustawić końcówkę-odsnieżarkę pionowo tak, aby śruba uszczelniająca była skierowana do góry (Rys. G).

G-1	Obudowa przekładni
G-2	Śruba uszczelniająca

2. Kluczem wielofunkcyjnym odkręcić i zdjąć śrubę uszczelniającą.
3. Użyć strzykawki olejowej (do dokupienia osobno), aby wstrzyknąć odrobinę smaru w otwór na śrubę; nie przekraczać 3/4 pojemności.
4. Po wstrzyknięciu smaru dokręcić śrubę uszczelniającą.

TRANSPORT I PRZECHOWYWANIE

- Wyjąć akumulator z narzędzia.
- Przed schowaniem dokładnie wyczyścić narzędzie.

Narzędzie należy przechowywać w suchym i przewodnym miejscu niedostępnym dla dzieci: albo pod kluczem, albo wystarczająco wysoko. Narzędzia nie należy przechowywać na nawozach lub w ich pobliżu, to samo dotyczy benzyny oraz innych substancji chemicznych.

PL

Ochrona środowiska



Urządzeń elektrycznych nie należy wyrzucać razem z nieposortowanymi odpadami komunalnymi, należy korzystać z oddzielnych punktów zbierania odpadów. Więcej informacji o dostępnych systemach zbiórki można uzyskać od władz lokalnych.

Wyrzucanie urządzeń elektrycznych na wysypisko grozi wyciekami niebezpiecznych substancji do wód gruntowych i przedostaniem się ich do łańcucha pokarmowego, ze szkodą dla zdrowia i jakości życia użytkownika.

ROZWIĄZYWANIE PROBLEMÓW

PROBLEM	PRZYCZYNA	ROZWIĄZANIE
Odśnieżarka nie włącza się.	<ul style="list-style-type: none"> ■ Rozładowany akumulator ■ Przycisk odblokowujący lub przełącznik spustowy nie był używany prawidłowo. ■ Akumulator nie jest w pełni włożony do obudowy. 	<ul style="list-style-type: none"> ■ Naładować akumulator. ■ Postępować zgodnie z zaleceniami podanymi w części „WŁĄCZANIE/WYŁĄCZANIE GŁOWICY UNIWERSALNEJ” w instrukcji obsługi głowicy PH1400E. ■ Sprawdzić, czy akumulator jest całkowicie włożony do obudowy.
Maszyna jest w sposób oczywisty uszkodzona.	<ul style="list-style-type: none"> ■ Uszkodzenie w czasie transportu i użytkowania. 	<ul style="list-style-type: none"> ■ Zaprzestać używania narzędzia, wysłać je do wyznaczonego punktu serwisowego w celu dokonania naprawy.
Odśnieżarka pozostawia cienką warstwę.	<ul style="list-style-type: none"> ■ Belka zgarniająca jest zużyta. 	<ul style="list-style-type: none"> ■ Wymienić belkę zgarniającą.
Nieoczekiwane wyłączenie w czasie pracy	<ul style="list-style-type: none"> ■ Przeciążenie maszyny ■ Akumulator lub maszyna przegrzały się 	<ul style="list-style-type: none"> ■ Zmniejszyć obciążenie maszyny. ■ Przed rozpoczęciem pracy pozwolić, aby akumulator lub narzędzie ostygły.

GWARANCJA

POLITYKA GWARANCYJNA EGO

W celu zapoznania się z wszystkimi warunkami polityki gwarancyjnej EGO prosimy odwiedzić stronę egopowerplus.com.

PŘEČTĚTE SI VŠECHNY POKYNY



PŘEČTĚTE SI NÁVOD K OBSLUZE

Před použitím zařízení si musíte přečíst, porozumět jim a dodržovat všechny pokyny na stroji a v návodu. Důkladně se seznámte s ovládacími prvky a správným používáním stroje. Musíte vědět, jak rychle zastavit zařízení a odpojit ovládací prvky.

⚠ Zbytkové riziko! Osoby s elektronickými přístroji, jako jsou např. kardiostimulátory, by se měly před použitím toho výrobku poradit se svým lékařem. Použití elektrického zařízení v těsné blízkosti kardiostimulátoru může způsobit narušení činnosti nebo poruchu kardiostimulátoru.

⚠ VAROVÁNÍ: Z důvodu bezpečnosti by měl všechny opravy a výměny provádět kvalifikovaný servisní technik.

BEZPEČNOSTNÍ SYMBOLY

Účelem bezpečnostních symbolů je upoutat vaši pozornost k případným nebezpečím. Bezpečnostní symboly a jejich vysvětlení vyžadují vaši zvýšenou pozornost a porozumění. Výstražné symboly samy o sobě nevylučují žádné nebezpečí. Pokyny a varování nejsou náhradou vhodných opatření pro prevenci úrazů.

⚠ VAROVÁNÍ: Před použitím tohoto nářadí si přečtěte a seznámte se se všemi bezpečnostními pokyny uvedenými v tomto návodu k obsluze včetně veškerých výstražných symbolů jako např. „**NEBEZPEČÍ**“, „**VAROVÁNÍ**“ a „**UPOZORNĚNÍ**“. Nedodržení níže uvedených pokynů může mít za následek úraz elektrickým proudem, požár a/nebo vážná zranění osob.

CZ

VÝZNAM SYMBOLŮ

BEZPEČNOSTNÍ VÝSTRAŽNÉ SYMBOLY: Označují **NEBEZPEČÍ**, **VAROVÁNÍ**, nebo **UPOZORNĚNÍ** a mohou se použít ve spojení s dalšími symboly nebo piktogramy.



⚠ VAROVÁNÍ: Při použití elektrického nářadí může dojít k vymrštění cizích těles do očí, což může způsobit jejich závažné poškození. Před použitím elektrického nářadí si vždy nasadte ochranné brýle, ochranné brýle s bočními kryty nebo v případě potřeby obličejový štít. Na brýle nebo standardní ochranné brýle s bočními kryty doporučujeme použít ochrannou masku.

BEZPEČNOSTNÍ POKYNY

Na této stránce jsou zobrazeny a popsány bezpečnostní symboly, které se mohou na výrobku objevit. Před montáží a provozem si přečtěte, seznámte se a dodržujte veškeré pokyny související s nářadím.

Šajā lapaspusē ir parādīti un aprakstīti drošības apzīmējumi, kas var būt norādīti uz šī izstrādājuma. Pirms instrumenta montāžas un lietošanas izlasiet, izprotiet un ievērojiet visus uz instrumenta sniegtos norādījumus.



Bezpečnostní opatření týkající se vaší bezpečnosti.



Z důvodu snížení rizika úrazu si musí uživatel před použitím tohoto výrobku přečíst návod k obsluze.



Při práci s tímto výrobkem vždy noste ochranné brýle nebo bezpečnostní brýle s bočními ochrannými štíty nebo obličejový štít.



K uvolňování žlabu nepoužívejte ruce.



Udržujte nohy mimo dosah rotujícího oběžného kola.



Nepoužívejte v dešti ani nenechávejte venku na dešti.

CE Tento výrobek je v souladu s platnými směrnici ES.



Odpadní elektrické výrobky se nesmí likvidovat s domovním odpadem. Odevzdejte je do autorizovaného recyklačního střediska.

V Napětí

Cm Centimetr

Stejnoseměrný proud

UK CA Tento výrobek je v souladu s platnými předpisy ve Spojeném království.

IPX4 Ochrana proti vniknutí vody stupeň 4.

mm Milimetr

kg Kilogram

OBCENÁ BEZPEČNOSTNÍ VAROVÁNÍ PRO PRÁCI S ELEKTRICKÝM NÁŘADÍM

▲ VAROVÁNÍ! Prostudujte si všechny bezpečnostní výstrahy, pokyny, ilustrace a technické údaje dodané s tímto elektrickým nářadím. Nedodržení všech níže uvedených pokynů může vést k úrazu elektrickým proudem, požáru a/nebo vážnému úrazu.

VŠECHNA VAROVÁNÍ A POKYNY USCHOVEJTE PRO BUDOUCÍ POUŽITÍ.

Termín „elektrické nářadí“ ve varováních odkazuje na vaše elektrické nářadí (s kabelem) nebo akumulátorové nářadí (bez kabelu).

BEZPEČNOST NA PRACOVIŠTI

- **Udržujte pracovní prostor v čistotě a dobře osvětlený.** Nepořádek nebo neosvětlené pracovní oblasti bývají příčinou úrazů.
- **S elektrickým nářadím nepracujte ve výbušném prostředí, například v přítomnosti hořlavých kapalin, plynů nebo prachu.** Elektrické nářadí je zdrojem jiskření, které může zapálit prach nebo výpary.
- **Při práci s elektrickým nářadím udržujte děti a přihlížející osoby v bezpečné vzdálenosti.** Nesoustředěnost může způsobit ztrátu kontroly.

BEZPEČNOST OSOB

- **Při práci s elektrickým nářadím buďte stále pozorní, sledujte, co děláte a používejte zdravý rozum.** Nepoužívejte elektrické nářadí, jste-li unaveni nebo pod vlivem drog, alkoholu nebo léků. Chvilka nepozornosti při práci s nářadím může vést k vážnému zranění.
- **Používejte osobní ochranné pracovní prostředky.** Vždy používejte ochranu očí. Ochranné pomůcky, jako např. respirátor, protiskluzová bezpečnostní obuv, pevná přilba nebo chrániče sluchu používané ve

vhodném prostředí snižují riziko úrazu.

- **Zabraňte neúmyslnému spuštění.** Před připojením ke zdroji napětí a/nebo akumulátoru, zvedáním nebo přenášením nářadí se ujistěte, že spínač je ve vypnuté poloze. Přenášení elektrického nářadí s prstem na spínači nebo zapojování elektrického nářadí, které má zapnutý spínač, může snadno způsobit nehodu či úraz.
- **Před zapnutím elektrického nářadí odstraňte seřizovací klíče nebo klíče.** Nástroj nebo klíč, který zůstane upevněn k otáčející se části elektrického nářadí, může způsobit osobní zranění.
- **Nepřeceňujte své síly. Vždy udržujte pevný postoj a rovnováhu.** To umožní lepší ovládání elektrického nářadí v nečekaných situacích.
- **Řádně se oblékejte. Nenoste volný oděv ani šperky. Udržujte své vlasy, oblečení a rukavice mimo dosah pohyblivých dílů.** Volný oděv, šperky nebo dlouhé vlasy se mohou zachytit do pohyblivých dílů.
- **Pokud je zařízení vybaveno adaptérem pro připojení odsávání prachu a sběrnými zařízeními, zajistěte jejich správné připojení a řádnou funkci.** Použití zařízení k odsávání prachu může snížit rizika spojená s prachem.
- **Nedovoľte, abyste se po získání zkušeností častým používáním nástrojů stali nebezpečnými a ignorovali zásady bezpečnosti.** Nedbalá činnost může způsobit vážné zranění za zlomek sekundy.

POUŽITÍ A PÉČE O ELEKTRICKÉ NÁŘADÍ

- **Netlačte příliš na nářadí. Používejte správný typ nářadí pro vaše použití.** Správné elektrické nářadí bude pracovat lépe a bezpečněji rychleji, pro kterou bylo navrženo.
- **Nepoužívejte elektrické nářadí v případě, že vypínač nefunguje.** Jakékoliv elektrické nářadí, které nelze ovládat spínačem, je nebezpečné a musí se opravit.

- Před odstraňováním uviditelného materiálu, prováděním jakéhokoliv nastavení, výměnou příslušenství, čištěním, nebo uložení elektrického nářadí vyjměte akumulátor, pokud je vyjímatelný, a/nebo aktivujte zámek blokuji nářadí. Tato preventivní bezpečnostní opatření snižují riziko náhodného spuštění elektrického nářadí.
- Nepoužívané elektrické nářadí uchovávejte mimo dosah dětí a nenechte s elektrickým nářadím pracovat osoby, které se neseznámily s elektrickým nářadím nebo těmito pokyny. Elektrické nářadí je v rukou nekvalifikované obsluhy nebezpečné.
- Udržujte elektrické nářadí a příslušenství. Zkontrolujte vychýlení či zaseknutí pohyblivých částí, poškození jednotlivých dílů a jiné okolnosti, které mohou ovlivnit provoz elektrického nářadí. Je-li nářadí poškozeno, nechejte ho před použitím opravit. Mnoho nehod je způsobeno nedostatečnou údržbou nářadí.
- Udržujte řezné nástroje ostré a čisté. Řádně udržované řezné nástroje s ostrými řeznými hranami nemají tendenci se ohýbat a lépe se ovládají.
- Používejte elektrické nářadí, příslušenství a nástrojové bity atd. v souladu s těmito pokyny s přihlédnutím k pracovním podmínkám a práci, která má být provedena. Používání elektrického nářadí k činnostem, pro které není určeno, může vést k nebezpečným situacím.
- Udržujte rukojeti a plochy pro uchopení suché, čisté, bez oleje a maziva. Kluzké rukojeti a plochy pro uchopení neumožňují bezpečnou manipulaci s nářadím a jeho ovládání v nečekaných situacích.
- Udržujte kabely mimo pracovní oblast nářadí. Během provozu nemusí být kabely vidět a mohou být nářadím náhodně poškozeny.

POUŽITÍ A PÉČE O AKUMULÁTOROVÉ NÁŘADÍ

- K nabíjení používejte pouze nabíječku doporučenou výrobcem. Nabíječka vhodná pro jeden typ akumulátoru může způsobit riziko požáru při použití s jiným akumulátorem.
- Používejte elektrické nářadí pouze se specifickými akumulátory. Použití jiných akumulátorů může způsobit riziko úrazu a požáru.
- Pokud akumulátor nepoužíváte, držte jej z dosahu kovových předmětů, jako jsou kancelářské sponky na papír, mince, klíče, hřebíky, šroubky nebo další drobné kovové předměty, které mohou propojit kontakty baterie. Zkratování kontaktů baterie může způsobit spálení nebo požár.

- V nevhodných podmínkách může z baterie unikat kapalina. Zabraňte kontaktu. Při náhodném kontaktu opláchněte zasažené místo vodou. Při zasažení očí kapalinou vyhledejte lékařskou pomoc. Unikající kapalina z akumulátoru může způsobit podráždění pokožky nebo popáleniny.
- Nepoužívejte akumulátor nebo nářadí, které jsou poškozené nebo upravené. Poškozené nebo upravené akumulátory se mohou chovat nepředvídatelně, což může vést k požáru, výbuchu nebo nebezpečí zranění.
- Nevystavujte akumulátor ani nářadí ohni nebo příliš vysoké teplotě. Při vystavení ohni nebo teplotě nad 100 °C může dojít k výbuchu.
- Dodržujte všechny pokyny pro nabíjení a nenabíjejte baterii nebo nářadí mimo rozsah teplot uvedených v pokynech. Nesprávné nabíjení nebo nabíjení při teplotách mimo stanovený rozsah může poškodit akumulátor a zvýšit riziko požáru.

SERVIS

- Svěřte opravu vašeho elektrického nářadí kvalifikované osobě používající pouze shodné náhradní díly. Tím zajistíte bezpečnost elektrického nářadí.
- Nikdy neopravujte poškozené akumulátory. Servis akumulátorů může provádět pouze výrobce nebo autorizovaní poskytovatelé služeb.

VAROVÁNÍ! Prostudujte si všechny bezpečnostní výstrahy, pokyny, ilustrace a technické údaje dodané s tímto elektrickým nářadím. Nedodržení všech níže uvedených pokynů může vést k úrazu elektrickým proudem, požáru a/nebo vážnému úrazu. Všechna varování a pokyny si uschovejte pro budoucí použití.

Všechna varování a pokyny si uschovejte pro budoucí použití.

ŠKOLENÍ

- Před použitím zařízení si musíte přečíst všechny pokyny na stroji a v návodu, porozumět jim a dodržovat je. Důkladně se seznámte s ovládacími prvky a správným používáním zařízení. Musíte vědět, jak rychle nářadí zastavit a odpojit ovládací prvky.
- Nikdy nedovolte dětem obsluhovat toto zařízení. Nikdy nedovolte dospělým osobám obsluhovat toto zařízení bez řádné instrukce.
- Udržujte všechny osoby, obzvláště malé děti, mimo oblast provozu.
- Dbejte maximální opatrnosti, abyste předešli pádům a

uklouznutím, zvláště při jízdě s přídatnou lopatou na sníh směrem vzad.

PŘÍPRAVA

- Nikdy nepoužívejte stroj, pokud jsou v blízkosti osoby, zejména děti, nebo domácí zvířata.
- Při práci se strojem vždy používejte ochranu očí a nosní pevnou obuv.
- Vzdálenost mezi strojem a ostatními osobami musí být nejméně 15 m.
- Nikdy se strojem nepracujte, pokud jste unavení, nemocní nebo pod vlivem alkoholu nebo jiných návykových látek.
- Pečlivě zkontrolujte prostor, kde budete stroj používat, a odstraňte všechny rohožky, saně, prkna, dráty a další cizí předměty.
- Nepracujte se strojem, pokud nemáte odpovídající zimní oblečení. Vyvarujte se volného oblečení, které se může zachytit do pohyblivých dílů. Používejte obuv, která zlepší postoj na kluzkých plochách.
- Při práci nebo při provádění nastavení nebo oprav vždy noste ochranné brýle nebo ochranné štíty na ochranu očí před cizími předměty, které mohou být odhozeny strojem.
- Pro všechny stroje s elektrickými startéry používejte prodlužovací kabely a zásuvky stanovené výrobcem.
- Nikdy se nepokoušejte provádět žádné úpravy, pokud je motor v chodu (není-li tak výslovně doporučeno výrobcem).

OBSLUHA

- Nedávejte ruce ani nohy do blízkosti rotujících dílů nebo pod ně. Z všech okolností udržujte ruce mimo výstupní otvor.
- Dbejte zvýšené opatrnosti při práci na šterkových cestách, chodnicích nebo silnicích nebo při jejich přejíždění. Dávejte pozor na skrytá nebezpečí nebo dopravu.
- Po nárazu do cizího tělesa, vypněte motor, vyjměte akumulátor, důkladně zkontrolujte poškození lopaty na sníh a poškození opravte, než znovu lopatu na sníh spusťte a začnete s ní pracovat.
- Pokud začne stroj abnormálně vibrovat, zastavte motor a okamžitě vyhledejte příčinu. Vibrace obvykle upozorňují na problém.
- Vypněte motor vždy, když opouštíte pracovní pozici, před odstraněním zablokování sestavy šneku a při provádění oprav, nastavení nebo kontrol.
- Dbejte zvýšené opatrnosti při práci na svazích.

- Nikdy nepoužívejte přídatnou lopatu na sníh bez nainstalovaných a fungujících vhodných krytů nebo jiných bezpečnostních zařízení.
- Nikdy nesměřujte vývod na osoby nebo plochy, kde může dojít k poškození majetku. Zabraňte v přístupu dětem a ostatním!
- Nepřetěžujte kapacitu stroje odklizením sněhu příliš vysokou rychlostí.
- Přídatnou lopatu na sníh nikdy neprovazujte při vysokých přepravních rychlostech na kluzkém povrchu. Když pracujete při jízdě vzad, dívejte se za sebe a dávejte pozor.
- Používejte pouze nástavce a příslušenství (jako např. shrnovací lištu), které byly schváleny výrobcem přídatné lopaty na sníh.
- Nikdy nepoužívejte přídatnou lopatu na sníh bez dobré viditelnosti nebo světla. Vždy si zajistěte dobrý postoj a pevně držte rukojeť. Kráčejte, nikdy neběhejte.
- Nevystavujte akumulátor ani nářadí ohni nebo příliš vysoké teplotě. Při vystavení ohni nebo teplotě nad 100°C může dojít k výbuchu.
- Používejte pouze akumulátory a nabíječky uvedené na obr. B.

ČISTĚNÍ UCPANÉ ŠNEKOVÉ SESTAVY

Ruční kontakt se sestavou rotujícího šneku je nejčastější příčinou zranění spojeného s přídatnou lopatou na sníh. K čištění sestavy rotujícího šneku nikdy nepoužívejte ruce.

Čištění sestavy šneku:

- **NĀŘADÍ VYPNĚTE!**
- Vyjměte akumulátor z nástroje.
- Počkejte 10 sekund, abyste se ujistili, že se šnek přestal otáčet.
- Vždy používejte nástroj pro čištění šneku, který je dodaný se strojem jako příslušenství, nepoužívejte ruce.

ÚDRŽBA A SKLADOVÁNÍ

- V pravidelných intervalech kontrolujte správné utažení všech šroubů nebo upevňovacích prvků, abyste zajistili, že je stroj v bezpečném provozním stavu.
- Pokud má být přídatná lopata na sníh uložena na delší dobu, vždy se podívejte na důležité informace do návodu k obsluze.
- Podle potřeby udržujte nebo vyměňte bezpečnostní štítky a štítky s pokyny.
- Nechte stroj několik minut běžet, abyste zabránili zamrznutí sestavy šneku.

ULOŽTE SI TYTO POKYNY. Používejte je často, také pro

poučení dalších osob, které mohou toto nářadí používat. Pokud nářadí někomu půjčíte, půjčte mu také tento návod k obsluze, aby nedošlo k nesprávnému použití výrobků nebo případně k úrazu.

TECHNICKÉ ÚDAJE

Jmenovité napětí	56 V	
Otáčky naprázdno	1420 ± 10%	ot./min
	1750 ± 10%	ot./min
Šířka odklizení	30 cm	
Vzdálenost vyhazování	Až 7,5 m	
Výška přívodu	15 cm	
Doporučená provozní teplota	-10 až 10°C	
Doporučená skladovací teplota *Pro zařízení BEZ akumulátoru	-20 až 70°C	
Hmotnost	5,2 kg	
Měřená hladina akustického výkonu L_{WA}	98 dB(A)	K=2,3 dB(A)
Hladina akustického tlaku na sluch obsluhy L_{PA}	90 dB(A)	K=2,5 dB(A)
Zaručená hladina akustického výkonu L_{WA} (měřená podle 2000/14/ES)	100 dB(A)	
Hodnota vibrací a_h :	Přední pomocná rukojeť	4,4 m/s ² K=1,5 m/s ²
	Zadní rukojeť	3,9 m/s ² K=1,5 m/s ²

- Výše uvedené parametry jsou testovány a měřeny s nářadím vybaveným pohonnou hlavou PH1400E.
- Celková deklarovaná hodnota vibrací byla naměřena podle standardní zkušební metody a lze ji použít ke srovnání s jiným nářadím;
- Celkovou deklarovanou hodnotu vibrací lze použít také k předběžnému stanovení expozičních limitů.

POZNÁMKA: Emise vibrací při konkrétním použití elektrického nářadí se mohou lišit od deklarované hodnoty, při které se nářadí používá; z důvodu ochrany provozovatele by měl uživatel ve skutečných pracovních podmínkách nosit rukavice a chrániče sluchu.

OBSAH BALENÍ (OBR. A)

POPIS

SEZNAMTE SE S PŘÍDAVNOU LOPATOU NA SNÍH (obr. A)

1. Regulátor nastavení vychylovací desky
2. Násada
3. Těsnící šroub
4. Nášlap
5. Deflektor
6. Shrnovací lišta
7. Šnek
8. Hřídel šneku
9. Imbusový klíč
10. Koncovka

MONTÁŽ

⚠ VAROVÁNÍ: Pokud jsou některé díly poškozené, nebo chybí, nepoužívejte výrobek, dokud se díly nevymění. Použití tohoto výrobku s poškozenými nebo chybějícími díly může vést k vážnému úrazu.

⚠ VAROVÁNÍ: Nepokoušejte se výrobek upravovat ani vytvářet příslušenství, které se k tomuto výrobku nedoporučuje. Každá taková změna nebo úprava představuje špatné použití a může vést k nebezpečné situaci, která může zapříčinit vážný úraz.

VYBALENÍ

- Pečlivě zkontrolujte nářadí, zda nedošlo k jeho rozbíjení nebo poškození během přepravy.
- Obalový materiál nevyhazujte, dokud nářadí pečlivě neprohlédnete a nebudete si jisti jeho uspokojivým provozem.

PŘIPOJENÍ PŘÍDAVNÉ LOPATY NA SNÍH K NAPÁJECÍ HLAVĚ

Tato přídatná lopata na sníh je určena pro použití s pohonnou hlavou EGO PH1400E.

Viz část „**INSTALACE NÁSTAVCE NA POHONNOU HLAVU**“ v příručce pro obsluhu pohonné hlavy PH1400E.

ODPOJENÍ NÁSTAVCE Z POHONNÉ HLAVY

Viz část „**ODPOJENÍ NÁSTAVCE Z POHONNÉ HLAVY**“ v příručce pro obsluhu pohonné hlavy PH1400E.

OBSLUHA

VAROVÁNÍ: Dbejte na to, abyste po seznámení s výrobkem nepřestali být opatrní. Nezapomínejte, že stačí chvíle nepozornosti a může se stát vážný úraz.

VAROVÁNÍ: Při práci s tímto výrobkem vždy noste ochranné brýle nebo bezpečnostní brýle s bočními ochrannými štíty nebo obličejový štít. Pokud tak neučiníte, může dojít k vymrštění předmětu do očí nebo případně jiným vážným úrazům.

POUŽITÍ

Tento výrobek lze použít k následujícím účelům:

- Odklizení sněhu z malých ploch a za snadných pracovních podmínek, jako jsou návoří, chodníky a garáže.

POUŽITÍ PŘÍDAVNÉ LOPATY NA SNÍH S Pohonnou hlavou

VAROVÁNÍ: Nikdy nepoužívejte přídatnou lopatu na sních na zamrzlých jezerech, řekách nebo podobných plochách. Pokud led praskne, mohlo by dojít k úmrtí nebo vážnému zranění.

VAROVÁNÍ: Nikdy nepoužívejte přídatnou lopatu na sních na střeše nebo jiné nestabilní ploše, může to mít za následek smrt nebo vážné zranění.

VAROVÁNÍ: Nepoužívejte přídatnou lopatu na sních na ledu, může to způsobit uklouznutí a pád obsluhy, což může mít za následek vážné zranění osob.

VAROVÁNÍ: Nenoste volný oděv, šátky ani šperky. Mohou se zachytit do pohyblivých dílů a to může způsobit smrt nebo vážné zranění.

VAROVÁNÍ: Nikdy nesměřujte přídatnou lopatu na sních na osoby nebo domácí zvířata. Odhazovaný sních nebo jiné předměty mohou způsobit vážná zranění.

VAROVÁNÍ: Ujistěte se, že plocha, kde má být odklizen sních, je zbavena kamení, drátů, štekru nebo jiných objektů, které by mohly být přídatnou lopatou na sních náhodou odhozeny jakýmkoliv směrem a způsobit tak zranění obsluhy a ostatních osob.

Při používání přídatné lopaty na sních držte nářadí během provozu pevně oběma rukama (obr. C).

- Před zahájením práce si všimněte směru větru. Pokud je to možné, odhazujte sních stejným směrem, abyste zabránili, že vám vítr odhodí sních zpět do obličeje.
- Některé části přídatné lopaty na sních mohou za extrémních povětrnostních podmínek zamrznout. Nepokoušejte se pracovat s nářadím se zamrzlými díly.
- Pokud se nářadí během provozu dostane do kontaktu

s jakýmkoli typem překážky, zastavte jej a vyjměte akumulátor. Před použitím nástroj pečlivě zkontrolujte.

- Pokud je sních příliš těžký a hlubší než hloubka odklizení, může odklizení zabrat více než jeden průchod.

Po dokončení nechte nářadí několik minut běžet, aby se před uskladněním dostal sních ze šneku ven.

ZAPNUTÍ/VYPNUTÍ PŘÍSTROJE

Viz část „ZAPNUTÍ/VYPNUTÍ Pohonné hlavy“ v návodu k obsluze pohonné hlavy PH1400E.

REGULÁTOR NASTAVENÍ VYCHYLovací DESKY (obr. D)

Směr vyhazování z této přídatné lopaty na sních lze měnit otáčením regulátoru vychylovací desky doleva, dopředu nebo doprava.

Maximální rozsah nastavení regulátoru je 60° (30° vlevo nebo vpravo).

Regulátor se zablokuje, když je v poloze úplně vlevo nebo úplně vpravo. Stiskněte regulátor a otáčením v opačném směru jej odblokuje.

D-1	Kontrolka zamčení
D-2	Regulátor nastavení vychylovací desky

CZ

ÚDRŽBA

CELKOVÁ ÚDRŽBA

K čištění plastových dílů nepoužívejte rozpouštědla. Většina plastů je náchylná k poškození různými typy komerčních rozpouštědel a jejich použití je může poškodit. K odstranění nečistot, prachu, oleje, maziva atd. použijte čistý hadr.

VAROVÁNÍ: Při čištění přídatné lopaty na sních ji NEPONORUJTE do vody ani jiných kapalin.

MONTÁŽ A SNÍMÁNÍ SHRNOVACÍ LIŠTY

1. Vyjměte akumulátor z pohonné hlavy.
2. Před prováděním servisu položte přídatnou lopatu na sních na bok nebo do jakékoliv jiné vhodné polohy.
3. Vyšroubujte čtyři šrouby v přední části shrnovací lišty a dva šrouby na obou koncích. Odšroubujte je pomocí šroubováku (není součástí dodávky) (obr. E a F).

E-1	Shrnovací lišta
-----	-----------------

4. V případě potřeby vyměňte opotřebovanou shrnovací lištu za novou.
5. Pro opakované sestavení usaďte novou shrnovací

lištu se zarovnanými šesti otvory, vložte šest šroubů do otvorů a zajistěte je šroubovákem (není součástí dodávky).

MAZÁNÍ PŘEVODOVKY

Převody v převodové skříně se musí pravidelně mazat převodovým tukem. Zkontrolujte hladinu převodového maziva v převodovce přibližně každých 50 hodin provozu demontováním těsnícího šroubu na boku skříně.

Pokud na bocích převodovky není vidět žádný tuk, postupujte podle pokynů pro naplnění převodovým mazivem až do 3/4 kapacity.

Skříně převodovky zcela nezaplňujte.

1. Přídavnou lopatu umístěte do svislé polohy tak, aby těsnící šroub směřoval nahoru (obr. G).

G-1	Převodová skříně
G-2	Těsnící šroub

2. Pomocí dodaného multifunkčního klíče povolte a odstraňte těsnící šroub.
3. Použijte mazací stříkačku (není součástí dodávky) pro zavedení maziva do otvoru pro šroub; nepřekročte 3/4 kapacity.
4. Po naplnění utáhněte těsnící šroub.

CZ

PŘEPRAVA A SKLADOVÁNÍ

- Vyměňte akumulátor z nástroje.
- Nářadí před uskladněním řádně vyčistěte.

Nářadí skladujte na suchém, dobře větraném, uzamčeném nebo vyvýšeném místě mimo dosah dětí. Nářadí neskladujte v blízkosti hnojiv, benzínu nebo jiných chemikálií.

Ochrana životního prostředí



Nevyhazujte elektrické spotřebiče jako netříděný komunální odpad, použijte oddělené sběrné zařízení. Informace o dostupných systémech sběru odpadu získáte u místních orgánů.

Pokud se elektrická zařízení likvidují na zavážkách nebo skládkách, mohou do podzemní vody proniknout nebezpečné látky, dostat se do potravního řetězce a poškodit tak vaše zdraví a zdravotní stav.

ODSTRAŇOVÁNÍ ZÁVAD

PROBLÉM	PŘÍČINA	ŘEŠENÍ
Lopata na sníh se nespustí.	<ul style="list-style-type: none"> ■ Vybitý akumulátor ■ Odblokovací tlačítko nebo spoušť nebyly použity správně. ■ Baterie není zcela zasunuta do pouzdra. 	<ul style="list-style-type: none"> ■ Nabijte akumulátor. ■ Postupujte podle části „SPUŠTĚNÍ/ZASTAVENÍ NAPÁJECÍ HLAVY“ v příručce k PH1400E. ■ Zkontrolujte, zda je baterie zcela zasunuta do pouzdra.
Stroj je zjevně poškozený.	<ul style="list-style-type: none"> ■ Abnormální poškození během přepravy nebo používání. 	<ul style="list-style-type: none"> ■ Nepokračujte v používání, pošlete jej do určeného servisního střediska k opravě.
Lopata na sníh zanechává tenkou vrstvu.	<ul style="list-style-type: none"> ■ Shrnovací lišta je opotřebovaná. 	<ul style="list-style-type: none"> ■ Vyměňte shrnovací lištu.
Nečekané vypnutí při práci	<ul style="list-style-type: none"> ■ Přetížený stroj ■ Akumulátor nebo stroj je přehřátý. 	<ul style="list-style-type: none"> ■ Snižte intenzitu zatížení stroje. ■ Před zahájením práce nechte akumulátor nebo nářadí vychladnout.

ZÁRUKA

ZÁRUKA SPOLEČNOSTI EGO

Úplné záruční podmínky společnosti EGO naleznete na webové stránce egopowerplus.com.

PREČÍTAJTE SI VŠETKY POKYNY!



PREČÍTAJTE SI NÁVOD NA OBSLUHU

Pred použitím stroja si prečítajte všetky pokyny na stroji a v návode, snažte sa im porozumieť a postupujte podľa nich. Dôkladne sa oboznámte s ovládacími prvkami a správnym používaním stroja. Naučte sa, ako zastaviť stroj a rýchlo odpojiť ovládacie prvky.

⚠ Potenciálne riziká! Ľudia s elektronickými zariadeniami, napríklad kardiostimulátorom, musia používanie tohto výrobku konzultovať so svojim lekárom. Použitie elektrických zariadení v tesnej blízkosti kardiostimulátora by mohlo spôsobiť rušenie alebo zlyhanie kardiostimulátora.

⚠ VAROVANIE: Pre zaistenie bezpečnosti a spoľahlivosti je nevyhnutné, aby všetky opravy a výmeny vykonával len kvalifikovaný servisný technik.

BEZPEČNOSTNÉ SYMBOLY

Účelom bezpečnostných symbolov je upozorniť na možné nebezpečenstvá. Venujte príslušnú pozornosť a pochopte bezpečnostné symboly a ich vysvetlenia. Varovné symboly, samy o sebe, nedokážu eliminovať nebezpečenstvo. Pokyny a varovania, ktoré obsahujú, nie sú náhradou za vhodné opatrenia na prevenciu úrazov.

⚠ VAROVANIE: Pred použitím tohto nástroja si prečítajte a porozumejte všetkým bezpečnostným pokynom v tomto návode na obsluhu vrátane všetkých výstražných symbolov ako „**NEBEZPEČENSTVO**“, „**VAROVANIE**“ a „**UPOZORNENIE**“. Nedodržanie nižšie uvedených pokynov môže mať za následok úraz elektrickým prúdom, požiar a/alebo vážne zranenie.

SK

VÝZNAM SYMBOLU

BEZPEČNOSTNÝ VÝSTRAŽNÝ SYMBOL: Označuje **NEBEZPEČENSTVO**, **VAROVANIE** alebo **UPOZORNENIE**, môže byť použitý spoločne s inými symbolmi alebo piktogramami.



⚠ VAROVANIE: Prevádzka akéhokoľvek elektrického náradia môže viesť k vymršteniu cudzích predmetov do vašich očí, čo môže spôsobiť vážne poškodenie zraku. Predtým, než začnete používať elektrické náradie, si vždy nasadte ochranné okuliare alebo ochranné okuliare s postrannými krytmi a prípadne celotvárový štít. Odporúčame použiť bezpečnostnú masku so širokým prieszorom na okuliare alebo štandardné bezpečnostné okuliare s postrannými krytmi.

BEZPEČNOSTNÉ POKYNY

Táto strana zobrazuje a popisuje bezpečnostné symboly, ktoré sa objavujú na tomto výrobku. Pred pokusom o zostavenie a prevádzkovanie si prečítajte, pochopte a dodržiavajte všetky pokyny na stroji.



Opatrenia, ktoré sa týkajú vašej bezpečnosti.



Ak chcete znížiť riziko zranenia, používateľ musí pred použitím tohto výrobku prečítať návod na obsluhu.



Pri práci s týmto výrobkom vždy noste ochranné okuliare alebo ochranné okuliare s postrannými krytmi a celotvárový štít.



Na uvoľnenie žľabu nepoužívajte ruky.



Udržujte nohy mimo dosahu rotujúceho obežného kolesa.



Nepoužívajte ani nenechávajte vonku na dažďa.

CE Tento výrobok je v súlade s platnými smernicami ES.



Odpadové elektrické výrobky sa nesmú likvidovať spolu s domovým odpadom. Odovzdajte do autorizovaného recyklačného strediska.

V Napätie

Cm Centimeter

Jednosmerný prúd

UK CA Tento výrobok je v súlade s platnou legislatívou Spojeného kráľovstva.

IPX4 Ochrana proti vniknutiu vody 4. stupňa

mm Milimeter

kg Kilogram

VŠEOBECNÉ BEZPEČNOSTNÉ UPOZORNENIA PRE ELEKTRICKÉ NÁRADIE

VAROVANIE! Prečítajte si všetky bezpečnostné výstrahy, pokyny, ilustrácie a technické údaje dodané s týmto elektrickým nástrojom. Nedodržanie nižšie uvedených pokynov môže mať za následok úraz elektrickým prúdom, požiar a/alebo vážne zranenie.

ODLOŽTE SI VŠETKY VAROVANIA A POKYNY PRE BUDÚCE POUŽITIE.

Termín „elektrické náradie“ vo varovaniach znamená váš elektrický prístroj zapojený (cez kábel) do privodu elektrickej energie alebo napájaný (bezdrôtovo) z batérie.

BEZPEČNOSŤ PRACOVISKA

- **Udržiavajte pracovisko čisté a dobre osvetlené.** Neporiadok alebo tmavé miesta spôsobujú nehody.
- **Nepoužívajte elektrické náradie vo výbušnom prostredí, napríklad v prítomnosti horľavých kvapalín, plynov alebo prachu.** Elektrické náradie je zdrojom iskrenia, ktoré môže zapáliť prach alebo výpary.
- **Pri používaní elektrického náradia udržiavajte deti a okolostojace osoby mimo pracoviska.** Rozptyľovanie pozornosti môže viesť ku strate kontroly.

BEZPEČNOSŤ OSÔB

- **Buďte pozorní, sledujte to, čo robíte a používajte zdravý rozum pri práci s elektrickým náradím.** Nepoužívajte elektrické náradie, ak ste unavení alebo pod vplyvom drog, alkoholu alebo liekov. Chvilková nepozornosť pri práci s elektrickým náradím môže mať za následok vážne zranenie.
- **Používajte osobné ochranné pomôcky. Vždy používajte ochranu očí.** Ochranné prostriedky ako respirátor, protišmyková bezpečnostná obuv, prilba alebo chrániče sluchu použité za vhodných podmienok

znižujú nebezpečenstvo zranenia.

- **Zabráňte neúmyselnému uvedeniu stroja do prevádzky.** Pred pripojením k zdroju napájania a/alebo akumulátoru, pri zdvíhaní alebo prenášaní nástroja sa uistite, že prepínač je vo vypnutej polohe. Prenášanie elektrického náradia s prstom na vypínači alebo aktivácia elektrického náradia, ktoré má zapnutý vypínač, môže viesť k úrazu.
- **Pred spustením náradia vždy odstráňte nastavovací klín alebo kľúč.** Kľúč alebo klín, ktorý necháte pripravený k otáčajúcej sa časti elektrického náradia, môže spôsobiť zranenie osôb.
- **Nepreceňujte sa. Pri práci vždy dodržujte správny postoj a rovnováhu.** To umožňuje lepšiu ovládateľnosť náradia v nečakaných situáciách.
- **Noste vhodné oblečenie. Nenoste šperky alebo voľný odev. Udržujte vlasy, oblečenie a rukavice v dostatočnej vzdialenosti od pohybujúcich sa dielov.** Voľný odev, šperky alebo dlhé vlasy môžu byť zachytené pohybujúcimi sa dielmi.
- **Pokiaľ je náradie vybavené zariadením na zachytávanie prachu a úlomkov materiálu, skontrolujte, či je k náradiu správne pripojené.** Použitie odsávania prachu môže znížiť nebezpečenstvo, ktoré súvisí s prachom.
- **Nedovoľte, aby ste sa po získaní skúseností častým používaním nástrojov stali neobozretnými a ignorovali zásady bezpečnosti.** Nedbalá činnosť môže spôsobiť vážne zranenie za zlomok sekundy.

POUŽITIE ELEKTRICKÉHO NÁRADIA A STAROSTLIVOSŤ

- **Stroj nepreťažujte. Používajte správny typ náradia určený na danú prácu.** Náradie bude pracovať lepšie a bezpečnejšie pri rýchlosti, na ktorú bolo navrhnuté.
- **Nepoužívajte elektrické náradie, ak sa nedá zapnúť a vypnúť použitím vypínača.** Akékoľvek

SK

elektrické náradie, ktoré sa nedá ovládať vypínačom je nebezpečné a musí sa opraviť.

- **Pred odstránením zaseknutého materiálu, vykonaním akýchkoľvek úprav, výmenou príslušenstva, čistením alebo skladovaním elektrického náradia odpojte akumulátor z elektrického náradia a/alebo aktivujte akékoľvek zariadenie na odpojenie batérie.** Takéto preventívne bezpečnostné opatrenia znižujú riziko náhodného spustenia elektrického náradia.
- **Uchovávajte nepoužívané elektronáradie mimo dosahu detí a nedovoľte, aby osoby neoboznámene s elektrickými náradím alebo s týmito pokynmi náradie používali.** Elektrické náradie je nebezpečné v rukách neskúsených používateľov.
- **Udržujte elektrické náradie a príslušenstvo. Skontrolujte nastavenie pohyblivých častí, poškodenie dielov a akékoľvek ďalšie okolnosti, ktoré môžu mať vplyv na funkciu elektrického náradia. Ak je elektrické náradie poškodené, nechajte ho pred použitím opraviť.** Veľa úrazov je zapríčinených zle udržiavaným náradím.
- **Strihacie náradie udržiavajte ostré a čisté.** Starostlivo ošetrované rezné nástroje s ostrými čepeľami menej pravdepodobne uviaznu a jednoduchšie sa ovládajú.
- **Používajte elektronáradie, príslušenstvo, násady apod. podľa týchto pokynov a rešpektujte pritom pracovné podmienky a vykonávanú činnosť.** Použitie elektrického náradia na iné ako určené účely môže viesť k nebezpečným situáciám.
- **Udržujte rukoväte a uchopovacie plochy suché, čisté, bez oleja a maziva.** Klzké držadlá a uchopovacie plochy neumožňujú bezpečnú manipuláciu s nástrojom a jeho ovládanie v nečakaných situáciách.
- **Udržujte káble mimo pracovného priestoru nástroja.** Počas práce môžu byť káble skryté z dohľadu a môžu byť náhodne poškodené nástrojom.

POUŽÍVANIE A STAROSTLIVOSŤ O NÁRADIE NA AKUMULÁTOR

- **Nabíjajte len pomocou nabíjačky špecifikovanej výrobcom.** Nabíjačka, ktorá je vhodná pre jeden typ akumulátora, môže predstavovať pri nabíjaní iného typu akumulátora nebezpečenstvo.
- **Používajte elektrické náradie iba s výslovnou určenými akumulátormi.** Použitie iných typov akumulátorov môže spôsobiť riziko úrazu a požiaru.
- **Ak sa akumulátor nepoužíva, držte ho mimo iných kovových predmetov, ako sú sponky, mince, kľúče, klince, skrutkovače alebo iné malé kovové**

predmety, ktoré by mohli navzájom prepojiť kontakty akumulátora. Skratovanie kontaktov akumulátora môže spôsobiť popáleniny alebo požiar.

- **Za nevhodných podmienok môže z akumulátora unikáť kvapalina. Zabráňte kontaktu. Pri náhodnom kontakte opláchnite vodou. Pri zasiahnutí očí vyhľadajte lekársku pomoc.** Unikajúca kvapalina z akumulátora môže spôsobiť podráždenie pokožky alebo popáleniny.
- **Nepoužívajte akumulátor alebo nástroj, ktorý je poškodený alebo upravený.** Poškodené alebo upravené akumulátory môžu mať nepredvídateľné chovanie, ktoré môže viesť k požiaru, výbuchu alebo nebezpečenstvu poranenia.
- **Nevystavujte akumulátor ani náradie ohňu alebo nadmernej teplote.** Pri vystavení ohňu alebo teplote nad 100°C môže dôjsť k výbuchu.
- **Dodržujte všetky pokyny pre nabíjanie a nenabíjajte akumulátor alebo náradie mimo rozsah teplôt uvedených v pokynoch.** Nesprávne nabíjanie alebo nabíjanie pri teplotách mimo stanovený rozsah môže poškodiť akumulátor a zvýšiť riziko požiaru.

OPRAVA

- **Náradie zverte do opravy kvalifikovanej osobe, ktorá použije iba originálne náhradné diely.** Zabezpečíte tak zachovanie bezpečnosti elektrického náradia.
- **Nikdy neopravujte poškodené akumulátory.** Servis akumulátorov smie robiť iba výrobca alebo autorizovaní servisní poskytovatelia.

VAROVANIE! Prečítajte si všetky bezpečnostné výstrahy, pokyny, ilustrácie a technické údaje dodané s týmto elektrickým nástrojom. Nedodržanie nižšie uvedených pokynov môže mať za následok úraz elektrickým prúdom, požiar a/alebo vážne zranenie. Všetky varovania a pokyny si ponechajte pre prípadnú potrebu v budúcnosti.

Všetky varovania a pokyny si ponechajte pre prípadnú potrebu v budúcnosti.

ŠKOLENIE

- **Pred použitím tohto náradia si prečítajte, porozumejte a dodržujte všetky pokyny na stroji a v príručkách. Zoznámte sa s ovládacími prvkami a správnym používaním vybavenia. Naučte sa nástroj rýchlo zastaviť a vypnúť ovládacie prvky.**
- **Nikdy nedovoľte deťom obsluhovať stroj. Nikdy nedovoľte dospelým osobám prevádzkovať zariadenie bez riadneho zaškolenia.**

- Pracovný priestor udržujte bez prítomnosti akýchkoľvek osôb, najmä malých detí.
- Buďte opatrní, aby ste sa vyhlí pošmyknutiu alebo pádu, najmä pri práci s nadstavcom na odhrňanie snehu v opačnom poradí.

PRÍPRAVA

- Nikdy nepoužívajte stroj za prítomnosti osôb, najmä detí, alebo zvierat v jeho blízkosti.
- Používajte ochranu očí a pevnú obuv po celú dobu používania stroja.
- Vzdialenosť medzi strojom a okolostojacimi osobami musí byť najmenej 15 m.
- Nikdy nepoužívajte stroj, keď je používateľ unavený, chorý alebo pod vplyvom alkoholu či iných drog.
- Dôkladne skontrolujte povrch, kde budete zariadenie používať, a odstráňte všetky kamene, palice, drôty, kosti a iné cudzie predmety.
- Nepoužívajte zariadenie bez toho, aby ste nosili vhodné zimné odevy. Zabráňte uvoľneniu odevov, ktoré sa môžu zachytiť do pohyblivých častí. Noste obuv, ktorá zabráni pošmyknutiu na klzkom povrchu.
- Počas prevádzky alebo pri nastavovaní alebo oprave vždy noste ochranné okuliare alebo očné štíty, aby ste chránili oči pred cudzími predmetmi, ktoré by mohli byť vyvrátené zo stroja.
- Pre všetky stroje s elektrickými motormi používajte predlžovacie káble a zásuvky podľa pokynov výrobcu.
- Nikdy sa nepokúšajte vykonávať žiadne úpravy, pokiaľ je motor v chode (okrem prípadov, keď to výrobca výslovne odporúča).

OBSLUHA

- Nedávajte ruky alebo nohy do blízkosti rotujúcich častí alebo pod nich. Dbajte na to, aby bol výpustný otvor vždy voľný.
- Pri prevádzke na štrkových cestách, chodníkoch alebo cestách alebo pri ich prechádzaní buďte mimoriadne opatrní. Dajte pozor na skryté nebezpečenstvá alebo premávku.
- Po náraze do cudzieho predmetu zastavte motor, vyberte akumulátor, dôkladne skontrolujte, či nie je poškodený nadstavec na odhrňanie snehu a pred opätovným spustením a uvedením do prevádzky nadstavec na odhrňanie snehu opravte.
- V prípade, že stroj začne nezvyčajne vibrovať, vypnite motor a ihneď zistite príčinu. Vibrácie zvyčajne upozorňujú na problém.

- Vypnite motor vždy, keď opustíte prevádzkovú polohu, pred uvoľnením krytu zostavy závitovky a pri akýchkoľvek opravách, úpravách alebo kontrolách.
- Pri práci na svahoch buďte mimoriadne opatrní.
- Nikdy nepracujte s nadstavcom na odhrňanie snehu bez umiestnených a funkčných vhodných ochranných krytov a iných bezpečnostných ochranných zariadení.
- Nikdy nesmerujte výpustný otvor na ľudí alebo na miesta, kde môže dôjsť k poškodeniu majetku. Udržujte deti a iné osoby v bezpečnej vzdialenosti.
- Nepreťažujte kapacitu stroja pokusom o príliš rýchle odstránenie snehu.
- Nikdy nepoužívajte nadstavec na odhrňanie snehu pri vysokých prepravných rýchlostiach na klzkom povrchu. Pri cúvaní sa obzrite a postupujte opatrne.
- Používajte iba prídavné zariadenia a príslušenstvo schválené výrobcom príslušenstva k nadstavcu na odhrňanie snehu (napríklad stieracia lišta).
- Nikdy nepoužívajte nadstavec na odhrňanie snehu za zníženej viditeľnosti alebo pri slabom svetle. Vždy si dávajte pozor na svoj postoj a pevne držte rukoväť. Kráčajte, nikdy nebežte.
- Nevystavujte akumulátor ani náradie ohňu alebo nadmernej teplote. Pri vystavení ohňu alebo teplote nad 100°C môže dôjsť k výbuchu.
- Používajte iba s akumulátormi a nabíjačkami, ktoré sú uvedené na obr. B.

VYČISTENIE UPCHATEJ ZOSTAVY ZÁVITOVKY

Kontakt ruky s rotujúcou zostavou závitovky je najčastejšou príčinou zranení spojených s nadstavcom na odhrňanie snehu. Nikdy nečistite rotujúcu zostavu závitovky rukou.

Ak chcete vyčistiť zostavu závitovky:

- **VYPNITE NÁRADIE!**
- Vyberte akumulátor z náradia.
- Počkajte 10 sekúnd, aby ste sa uistili, že sa závitovka zastavila.
- Ako príslušenstvo vždy používajte nástroj na čistenie závitovky, ktorý je pripevnený k stroju, nepoužívajte ruku.

ÚDRŽBA A SKLADOVANIE

- V pravidelných intervaloch kontrolujte všetky skrutky alebo upevňovacie prvky, či sú v bezpečnom prevádzkovom stave.
- Ak chcete nadstavec na odhrňanie snehu skladovať dlhší čas, vždy si prečítajte dôležité informácie v návode na obsluhu.

- Podľa potreby udržiavajte bezpečnostné štítky a štítky s pokynmi v dobrom stave.
- Nechajte stroj niekoľko minút bežať, aby ste zabránili zamrznutiu zostavy závitovky.

ODLOŽTE SI TIETO POKYNY. Používajte ich často a používajte ich tiež na poučenie ostatných, ktorí môžu toto náradie používať. Ak niekomu kosačku požičiate, požičajte mu aj tieto pokyny, aby ste predišli nesprávnemu použitiu výrobku a možnému zraneniu.

TECHNICKÉ ÚDAJE

Menovité napätie	56 V	
Rýchlosť naprázdno	1420 ± 10 % ot./min. 1750 ± 10 % ot./min.	
Šírka záberu	30 cm	
Odhadzovacia vzdialenosť	Až do 7,5 m	
Výška vstupu	15 cm	
Odporúčaná prevádzková teplota	-10 - 10°C	
Odporúčaná skladovacia teplota *Pre zariadenie BEZ akumulátora	-20 - 70°C	
Hmotnosť	5,2 kg	
Nameraná hladina akustického výkonu L_{WA}	98 dB(A) K=2,3 dB(A)	
Hladina akustického tlaku na uši obsluhy L_{PA}	90 dB(A) K=2,5 dB(A)	
Garantovaná hladina akustického výkonu L_{WA} (meraná podľa 2000/14/ES)	100 dB(A)	
Ohodnotenie vibrácií a_n :	Predná pomocná rukoväť	4,4 m/s ² K=1,5 m/s ²
	Zadná rukoväť	3,9 m/s ² K=1,5 m/s ²

- Vyššie uvedené parametre sú testované a merané s nástrojom vybaveným pohonnou hlavou PH1400E.
- Deklarovaná celková hodnota vibrácií bola meraná v súlade so štandardnou skúšobnou metódou a môže sa použiť na vzájomné porovnanie jednotlivých náradí;
- Uvádzaná celková hodnota vibrácie sa môže použiť aj na predbežný odhad expozície.

POZNÁMKA: Emisia vibrácií pri skutočnom používaní náradia sa môže odlišovať od deklarovanej hodnoty, pri akej sa nástroj používa; za účelom ochrany obsluhy má používateľ v skutočných podmienkach použitia nosiť rukavice a ochranu sluchu.

OBSAH BALENIA (OBR. A)

POPIS

ZOZNÁMTE SA S VAŠIM NADSTAVCOM NA ODHRŇNANIE SNEHU (obr. A)

- Ovládač nastavenia deflektora
- Hriadeľ
- Tesniaca skrutka
- Paluba
- Deflektor
- Stieracia lišta
- Závitovka
- Hriadeľ závitovky
- Imbusový kľúč
- Koncovka

MONTÁŽ

VAROVANIE: Ak akýkoľvek diel chýba, alebo je poškodený, nepoužívajte tento výrobok, kým nie sú vymenené diely. Ak používate tento výrobok s poškodenými alebo chýbajúcimi časťami, môže dôjsť k vážnemu zraneniu.

VAROVANIE: Nepokúšajte sa upravovať tento výrobok alebo vytvoriť príslušenstvo, ktoré nie je odporúčané na použitie s týmto výrobkom. Každá takáto zmena alebo modifikácia sa považuje za zneužitie a môže spôsobiť nebezpečný stav, ktorý vedie k možnému vážnemu zraneniu.

ROZBALENIE

- Náradie starostlivo skontrolujte, aby ste sa presvedčili, že počas prepravy nedošlo k žiadnemu zlomeniu alebo poškodeniu.
- Obalový materiál si uschovajte, kým zariadenie dôkladne neprekontrolujete a nebudete ho bezpečne ovládať.

SK

PRIPOJENIE NADSTAVKA NA ODHRŇANIE SNEHU NA POHONNÚ HLAVU

Tento nadstavec na odhrňanie snehu je navrhnutý na použitie s pohonnou hlavou EGO PH1400E.

Pozrite si časť „**INŠTALÁCIA PRÍSLUŠENSTVA K NAPÁJACIU HLAVE**“ v návode na obsluhu napájajúcej hlavy PH1400E.

ODPOJENIE NADSTAVKA Z POHONNEJ HLAVY

Pozrite si časť „**ODSTRÁNENIE PRÍSLUŠENSTVA Z NAPÁJANIA**“ v užívateľskej príručke napájajúcej hlavy PH1400E.

OBSLUHA

VAROVANIE: Nedovoľte, aby dlhodobá skúsenosť práce s týmto výrobkom spôsobila vašu neopatrnosť. Pamätajte na to, že aj chvíľková neopatrnosť stačí na to, aby spôsobila vážny úraz.

VAROVANIE: Pri práci s týmto výrobkom vždy používajte ochranné okuliare alebo ochranné okuliare s bočnými krytmi a celotvárovým štítom. Ak tak neurobíte, môže dôjsť k vymršteniu predmetov do očí a k ďalším možným vážnym zraneniam.

POUŽITIE

Tento výrobok môžete použiť na nižšie uvedené účely:

- Čistenie malých plôch za ľahkých pracovných podmienok, ako sú nádvorcia, chodníky a garáže.

POUŽITIE NADSTAVKA NA ODHRŇANIE SNEHU S POHONNOU HLAVOU

VAROVANIE: Nikdy nepoužívajte nadstavec na odhrňanie snehu na zamrznutých jazerách, riekach alebo podobných povrchoch. Ak sa ľad prelomí, môže dôjsť k usmrteniu alebo vážnemu zraneniu.

VAROVANIE: Nikdy nepoužívajte nadstavec na odhrňanie snehu na streche alebo inom nestabilnom povrchu, čo môže spôsobiť smrť alebo vážne zranenie.

VAROVANIE: Nepoužívajte nadstavec na odhrňanie snehu na ľade, pretože môže dôjsť k pošmyknutiu a pádu obsluhu, čo môže mať za následok vážne zranenie osôb.

VAROVANIE: Nenoste voľný odev, šatky alebo šperky. Môžu sa zachytiť do pohyblivých častí a spôsobiť smrť alebo vážne zranenie osôb.

VAROVANIE: Nikdy nesmerujte nadstavec na odhrňanie snehu na ľudí alebo domáce zvieratá. Odhadzovaný sneh alebo iné predmety môžu spôsobiť vážne zranenie osôb.

VAROVANIE: Uistite sa, že čistená oblasť je bez kameňov, paličiek, drôtov, štrku a iných predmetov, ktoré by mohli byť náhodne odhodene nadstavcom na odhrňanie snehu v ľubovoľnom smere a spôsobiť vážne zranenie obsluhu a ďalším osobám.

Pri použití nadstavka na odhrňanie snehu držte nástroj počas prevádzky pevným úchopom oboma rukami (obr. C).

- Pred začiatkom si všimnite smer vetra. Ak je možné, vyhadzujte sneh rovnakým smerom ako fúka vietor, aby sa zabránilo vrhnutiu snehu späť do vašej tváre.
- Niektoré časti nadstavka na odhrňanie snehu môžu za extrémnych poveternostných podmienok zamrznúť. Nepokúšajte sa používať náradie so zamrznutými časťami.
- Ak sa nástroj počas prevádzky dotkne akéhokoľvek druhu prekážky, zastavte ho a vyberte akumulátor. Nástroj pred použitím starostlivo skontrolujte.
- Ak je sneh príliš hustý a hlbší ako čistiaca hĺbka, môže upratovanie trvať viac ako jeden prechod.

Po dokončení práce pred uskladnením nechajte stroj niekoľko minút bežať pre odstránenie všetkého snehu zo závitovky.

ZAPNUTIE/VYPNUTIE NÁSTROJA

Pozrite si časť „**ZAPNUTIE/VYPNUTIE POHONNEJ HLAVY**“ v návode na obsluhu pohonnej hlavy PH1400E.

GOMBÍK PRE NASTAVENIE DEFLEKTORA (obr. D)

Smer odhadzovania snehu nadstavka na odhrňanie snehu je možné meniť otáčaním gombíka deflektora dolava, dopredu alebo doprava.

Maximálny rozsah nastavenia gombíka je 60° (30° vľavo alebo vpravo).

Gombík sa zablokuje, ak je v polohe úplne vľavo alebo vpravo. Odblokujte stlačením gombíka a jeho otočením v opačnom smere.

D-1	Kontrolka uzamknutia
D-2	Ovládač nastavenia deflektora

ÚDRŽBA

CELKOVÁ ÚDRŽBA

Na čistenie plastových dielov nepoužívajte rozpúšťadlá. Väčšina plastov je náchylná na poškodenie rôznymi typmi komerčných rozpúšťadiel a môžu sa poškodiť, ak sa rozpúšťadlá použijú. Použite čisté handry na odstránenie nečistôt, prachu, oleja, maziva, atď.

VAROVANIE: Pri čistení neponárajte nadstavec na

odhŕňanie snehu do vody alebo iných tekutín.

MONTÁŽ A DEMONTÁŽ STIERACEJ LIŠTY

1. Vyberte akumulátor z pohonnej hlavy.
2. Položte nadstavec na odhŕňanie snehu na bok alebo na iné vhodné miesto pre servis stieracej lišty.
3. Odskrutkujte štyri skrutky v prednej časti stieracej lišty a tiež dve skrutky na oboch koncoch. Odskrutkujte ich pomocou skrutkovača (nie je súčasťou balenia) (obr. E a F).

E-1	Stieracia lišta
-----	-----------------

4. V prípade potreby vymeňte opotrebovanú stieraciu lištu za novú.
5. Pri opätovnej montáži vložte novú stieraciu lištu so zarovnanými šiestimi otvormi, vložte šesť skrutiek do otvorov a zaistite ich skrutkovačom (nie je súčasťou balenia).

MAZANIE PREVODOVKY

Prevody v prevodovej skrini sa musia pravidelne mazať prevodovým mazivom. Skontrolujte hladinu prevodového maziva v prevodovke približne každých 50 prevádzkových hodín odstránením tesniacej skrutky na boku skrine.

SK

Ak na stranách prevodov nie je vidno žiadne mazivo, postupujte podľa pokynov pre naplnenie prevodovým mazivom až do 3/4 kapacity.

Nenaplňte doplna prevodovú skriňu.

1. Nadstavec umiestnite zvisle tak, aby tesniaca skrutka smerovala nahor (obr. G).

G-1	Prevodová skriňa
-----	------------------

G-2	Tesniaca skrutka
-----	------------------

2. Pomocou dodaného multifunkčného kľúča povoľte a odstráňte tesniacu skrutku.
3. Použite mazacu striekačku (nie je súčasťou dodávky) na zavedenie maziva do otvoru pre skrutku; neprekročte 3/4 kapacity.
4. Po naplnení dotiahnite tesniacu skrutku.

PREPRAVA A SKLADOVANIE

- Vyberte akumulátor z náradia.
- Pred uložením prístroj dôkladne vyčistite.

Náradie skladujte na suchom a dobre vetranom uzamknutom alebo vyvýšenom mieste mimo dosahu detí. Neskladujte náradie na hnojivách, benzíne alebo iných chemikáliách alebo v ich blízkosti.

Ochrana životného prostredia



Nevyhadzujte elektrické spotrebiče ako netriedený komunálny odpad, použite oddelené zberné zariadenia. Obráťte sa na vaše miestne zastupiteľstvo pre informácie týkajúce sa dostupných systémov triedeného zberu odpadu.

Ak sú elektrické spotrebiče likvidované na neorganizovaných skládkach alebo smetiskách, môžu nebezpečné látky unikáť do podzemných vôd, dostať sa do potravinového reťazca a poškodzovať zdravie.

ODSTRAŇOVANIE PORÚCH

PROBLÉM	PRÍČINA	RIEŠENIE
Nadstavec na odhŕňanie snehu sa nespustí.	<ul style="list-style-type: none"> ■ Vybitý akumulátor ■ Blokovacie tlačidlo alebo hlavný vypínač neboli správne použité. ■ Akumulátor nie je úplne zasunutý do krytu. 	<ul style="list-style-type: none"> ■ Nabite akumulátor. ■ Postupujte podľa časti „SPUŠTENIE/ZASTAVENIE POHONNEJ HLAVY“ v návode k PH1400E. ■ Skontrolujte, či je akumulátor úplne vložený do krytu.
Stroj je zrejme poškodený.	<ul style="list-style-type: none"> ■ Abnormálne poškodenie počas prepravy alebo používania. 	<ul style="list-style-type: none"> ■ Nepoužívajte ďalej, pošlite na opravu do určeného servisného strediska.
Nadstavec na odhŕňanie snehu zanecháva tenkú vrstvu.	<ul style="list-style-type: none"> ■ Stieracia lišta je opotrebovaná. 	<ul style="list-style-type: none"> ■ Vymeňte stieraciu lištu.
Neočakávané vypnutie počas chodu	<ul style="list-style-type: none"> ■ Preťažný stroj ■ Akumulátor alebo zariadenie sú prehriate. 	<ul style="list-style-type: none"> ■ Znížte intenzitu zaťaženia stroja. ■ Pred prácou akumulátor alebo nástroj nechajte vychladnúť.

SK

ZÁRUKA

ZÁRUČNÁ POLITIKA EGO

Navštívte webové stránky egopowerplus.com pre úplné podmienky záručnej politiky spoločnosti EGO.

OLVASSA EL AZ ÖSSZES UTASÍTÁST



OLVASSA EL AZ ÖSSZES UTASÍTÁST

A készülék használatának megkezdése előtt olvassa el, értse meg és tartsa be a gépen és a használati útmutató(k)ban lévő összes utasítást. Alaposan ismerje meg a gép vezérlőelemeit és helyes használatát. Legyen tisztában azzal, hogyan tudja a készüléket leállítani, és a vezérlőelemeket gyorsan kikapcsolni.

⚠ Maradék kockázat! Az elektronikus készülékekkel, például pacemakerrel élő emberek a termék használata előtt kérjék ki orvos véleményét. Az elektromos felszerelésnek a pacemakerhez közel való működtetése interferenciát vagy megbíósodást okozhat a pacemakerben.

⚠ FIGYELMEZTETÉS: A biztonságosság és megbízhatóság biztosítása érdekében minden javítást és cserét szakképzett szerviztechnikus hajtson végre.

BIZTONSÁGI SZIMBÓLUMOK

A biztonsági szimbólumok célja, hogy felhívják a figyelmet az esetleges veszélyekre. Nagyon figyeljen a biztonsági szimbólumokra és magyarázatokra, ill. ezek megértésére. A szimbólumok figyelmeztetései önmagukban nem hárítják el a veszélyeket. Az utasítások és figyelmeztetések nem helyettesítik a megfelelő balesetmegelőző intézkedéseket.

⚠ FIGYELMEZTETÉS: A szerszám használata előtt feltétlenül olvassa el és érte meg a jelen kezelési útmutatóban található valamennyi biztonsági utasítást, valamint a „VESZÉLY”, „FIGYELMEZTETÉS” és „FIGYELEM” biztonsági figyelmeztető szimbólumokat is. Az alább felsorolt utasítások be nem tartása áramütést, tűzveszélyt és/vagy súlyos személyi sérülést idézhet elő.

HU

SZIMBÓLUM JELENTÉSE

BIZTONSÁGI SZIMBÓLUM: A következőket jelöli: **VESZÉLY, FIGYELMEZTETÉS VAGY FIGYELEM**, és más szimbólumokkal vagy rajzokkal együtt használható.



⚠ FIGYELMEZTETÉS: Bármely elektromos kéziszerszám működtetése azzal járhat, hogy idegen tárgyak szembe kerülnek, ami súlyos szemsérüléseket okozhat. Az elektromos kéziszerszám működtetése előtt mindig vegyen fel oldalsó védőlemezzel ellátott védőszemüveget és a teljes védőárlarcot, ha szükséges. Javasoljuk, hogy viseljen Wide Vision Safety Mask-ot (védőárlarc) a védőszemüveg fölött vagy standard védőszemüveget oldalsó védőlemezzel.

BIZTONSÁGI ELŐÍRÁSOK

Ezen az oldalon olyan biztonsági szimbólumok láthatók és olvashatók, amelyek megjelenhetnek a terméken. Az összeszerelés vagy működtetés előtt olvassa el, értse meg és tartsa be a gép minden utasítását.



Az Ön biztonságát érintő óvintézkedések.



Mindig viseljen védőszemüveget vagy oldalsó védőlemezzel ellátott védőszemüveget és teljes védőárlarcot a termék működtetése közben.



Tartsa távol a lábát a forgó propellertől.



A sérülések kockázatának csökkentése érdekében használónak a termék használata előtt el kell olvasnia a használati útmutatót.



A csúszda kioldásához ne a kezét használja.



Ne használja esőben, és ne hagyja kültéren, ha esik az eső.

CE A termék megfelel az érvényes EK irányelveknek.



Az elhasználdott elektromos termékek nem helyezhetők a háztartási hulladékok közé. Vigye hivatalos újrahasznosító telephelyre.

V Feszültség

cm Centiméter

Egyenáram

UK CA Ez a termék megfelel az Egyesült Királyság hatályos jogszabályainak.

IPX4 Víz behatolása elleni védelmi szint: 4.

mm Milliméter

kg Kilogramm

AZ ELEKTROMOS SZERSZÁMOKRA VONATKOZÓ ÁLTALÁNOS BIZTONSÁGI FIGYELMEZTETÉSEK

▲ FIGYELMEZTETÉS! Olvassa el az elektromos kéziszerszámhoz mellékelt összes biztonsági figyelmeztetést, utasítást, ábrát és specifikációt. Az alább felsorolt utasítások be nem tartása áramütést, tűzveszélyt és/vagy súlyos sérülést idézhet elő.

ŐRIZZEN MEG MINDEN UTASÍTÁST ÉS FIGYELMEZTETÉST, HOGY KÉSŐBB IS ELŐ TUDJA MAJD VENNİ.

Az „elektromos kéziszerszám” megnevezés a figyelmeztetésekben egyaránt vonatkozik a hálózati feszültségről meghajtott elektromos kéziszerszámokra (hálózati vezetékkel rendelkező elektromos kéziszerszámok), valamint az akkumulátorról működtetett elektromos kéziszerszámokra (hálózati vezeték nélküli elektromos kéziszerszámok).

MUNKATERÜLETI BIZTONSÁG

- **A munkaterület legyen tiszta és jól megvilágított.** A munkaterületen uralkodó rendetlenségnek vagy a rossz megvilágításnak baleset lehet a következménye.
- **Ne használjon elektromos szerszámokat robbanásveszélynek kitett környezetben, például olyan helyen, ahol éghető folyadékok, gázok vagy porok találhatók.** Az elektromos szerszámok szikrákat képeznek, amelyek meggyújthatják a porokat vagy gázokat.
- **Tartsa távol a gyermekeket és az illetéktelen személyeket, amikor elektromos szerszámmal dolgozik.** Ha megzavarják, elveszítheti uralmát a készülék felett.

SZEMÉLYI BIZTONSÁG

- **Legyen figyelmes, ügyeljen arra, amit csinál, és józan ésszel fogjon a munkához, ha elektromos kéziszerszámot használ. Ne használjon elektromos**

kéziszerszámot, ha fáradt, illetve kábítószert, alkohol vagy gyógyszer hatása alatt áll. Az elektromos kéziszerszám üzemeltetése közben egy pillanatnyi figyelmen kívül hagyás is súlyos személyi sérülést okozhat.

- **Használjon személyi védőfelszerelést. Mindig viseljen védőszemüveget.** A védőfelszerelések – mint például porvédő maszk, csúszásmentes lábbeli, sisak és hallásvédő – rendeltetészerű használata révén elkerüli a személyi sérüléseket.
- **Akadályozza meg a véletlen indítást. Ügyeljen arra, hogy a kapcsoló kikapcsolt állásban legyen, mielőtt az áramforráshoz és/vagy az akkumulátoregységéhez csatlakoztatja, felveszi vagy viszi a szerszámot.** Balesetekre vezethet, ha a hálózatra csatlakoztatott szerszámot úgy viszi, hogy közben az ujjja a bekapcsoló gombon van, vagy ha a hálózati csatlakozódugót olyankor dugja be az aljzatba, amikor a szerszám be van kapcsolva.
- **Vegye ki a csavarkulcsot és a beállító szerszámot, mielőtt az elektromos kéziszerszámot bekapcsolná.** Az elektromos szerszám mozgó alkatrészein felejtett csavarkulcs vagy eszköz személyi sérülést okozhat.
- **Ne hajoljon a szerszám fölé. Vegyen fel stabil testhelyzetet, és mindig tartsa meg az egyensúlyát.** Ezáltal jobban tudja irányítani az elektromos szerszámot a legvárhatóbb helyzetben is.
- **Viseljen megfelelő ruházatot. Ne hordjon laza, bő ruhát, és ne viseljen ékszert. A haj, a ruházat és a kesztyű ne érjen a mozgó részekhez. A laza ruházatot, az ékszert vagy a hosszú hajat becsipethetik a mozgó alkatrészek.**
- **Ha az elektromos kéziszerszámot porfelszívó vagy porfelfogó eszközzel szerelik fel, akkor győződjön meg arról, hogy ezek előírászerűen vannak-e csatlakoztatva, és használja őket a rendeltetésüknek megfelelően.** Porgyűjtő használata csökkentheti a porral járó veszélyeket.

- Ne hagyja, hogy a rendszeres használat során megszerzett tapasztalat miatt túl magabiztosá váljon, és emiatt figyelmen kívül hagyja a biztonsági irányelveket. Egy óvatlan cselekedet a másodperc töredéke alatt súlyos sérülést okozhat.

AZ ELEKTROMOS SZERSZÁM ÜZEMELTETÉSE ÉS GONDOZÁSA

- Ne terhelje túl az elektromos kéziszerszámot. A munkájához használja az arra alkalmas elektromos kéziszerszámot. A megfelelő elektromos kéziszerszámmal jobban és biztonságosabban dolgozhat a megadott teljesítményhatárokon belül.
- Ne használja az elektromos szerszámot, ha nem lehet a bekapcsoló gomb segítségével be- vagy kikapcsolni. Az olyan elektromos kéziszerszám, amely nem irányítható a kapcsolóval, veszélyes és javításra szorul.
- Távoltítsa el a levehető akkumulátoregységet az elektromos szerszámról, és/vagy aktiválja az akkumulátoregységet lekapcsoló eszközt (ha van), mielőtt eltávolítaná a beszorult anyagokat, beállításokat végezne, tartozékokat cserélné, tisztítást végezne, vagy félretenné az elektromos szerszámot. Az ilyen megelőző biztonsági óvintézkedések csökkentik az elektromos kéziszerszám véletlen beindításának kockázatát.
- A használaton kívüli elektromos szerszámokat gyermekektől távol tartsa, és ne engedje meg, hogy olyan személyek használják az elektromos szerszámot, akik nem ismerik azt, vagy nincsenek tisztában ezekkel a biztonsági utasításokkal. Az elektromos szerszámok veszélyt jelentenek a gyakorlatlan felhasználó kezében.
- Gondosan tartsa karban az elektromos szerszámot és tartozékait. Ellenőrizze a mozgó részek beállítását és rögzítését, vizsgáljon meg minden részt, nem sérült-e, és ellenőrizze, nem állnak-e fenn olyan körülmények, amelyek befolyásolhatják az elektromos kéziszerszámok helyes működtetését. Használat előtt javíttassa meg a sérült elektromos kéziszerszámot. A rosszul karbantartott elektromos szerszámok sok balesetet okoznak.
- A vágószerszámok legyenek mindig élesek és tiszták. A megfelelően karbantartott és kielevezett vágóélekkel rendelkező vágószerszámok kevésbé hajlamosak az elgörbülésre, valamint könnyebben kezelhetők.
- Az elektromos kéziszerszámot, tartozékokat, vágóféléteket, stb. mindig ezen biztonsági utasításoknak megfelelően használja, mindig vegye

figyelembe a munkakörülményeket, és legyen tekintettel a megmunkálandó munkadarabra. Az elektromos kéziszerszám előírt rendeltetési céltól eltérő használata veszélyes helyzetet eredményezhet.

- Tartsa szárazon, tisztán, olajtól és zsírtól mentesen a fogantyúkat és a fogófelületet. A csúszós fogantyúk és tartófelületek miatt a szerszám kezelése és vezérlése váratlan helyzetekben nem biztonságos.
- Tartsa távol a kábeleket, vezetékeket a szerszám munkaterületétől. Használat közben előfordulhat, hogy a vezetékek nem láthatók, és azokat véletlenül megrongálhatja a szerszám.

AZ AKKUMULÁTORRAL MŰKÖDŐ SZERSZÁM ÜZEMELTETÉSE ÉS GONDOZÁSA

- Csak a gyártó által meghatározott töltőt használja. Az olyan töltő, amely egy típusú akkumulátoregységhez alkalmas, tűzveszélyt okozhat, ha más típusú akkumulátoregységhez használja.
- Az elektromos szerszámokat csak speciálisan meghatározott akkumulátoregységekkel használja. Bármely más akkumulátoregység használata sérülés- vagy tűzveszélyt okozhat.
- Amikor nem használja az akkumulátoregységet, tartsa távol más fémtárgyaktól, például gemkapcsoktól, érméktől, kulcsoktól, szögektől, csavaroktól vagy más kis fémtárgyaktól, amelyek kapcsolatra léphetnek vele. Az akkumulátorok kapcsainak rövidzárlata égési sérülést vagy tüzet okozhat.
- Nem megfelelő körülmények között folyadék szívároyhat az akkumulátorból; ne érjen ehhez. Amennyiben véletlenül hozzáérne, mossa le vízzel. Ha ez a folyadék szembe kerül, forduljon orvoshoz. Az akkumulátorból kiszivárgó folyadék irritációt vagy égési sérülést okozhat.
- Ne használjon sérült vagy módosított akkumulátoregységet vagy szerszámot. A sérült vagy módosított akkumulátorok előre nem látható módon viselkedhetnek, aminek eredménye tűz, robbanás vagy sérülésveszély lehet.
- Ne tegye ki az akkumulátoregységet tűznek vagy túl magas hőmérsékletnek. Ha tűznek, vagy 100°C feletti hőmérsékletnek teszi ki, akkor felrobbanhat.
- Tartsa be a töltési utasításokat, és ne töltse az akkumulátoregységet vagy a szerszámot az utasításokban meghatározott hőmérséklet-tartományon kívül. A nem megfelelő vagy a meghatározott hőmérséklet-tartományon kívüli töltés megrongálhatja az akkumulátort, és növeli a tűzveszélyt.

SZERVIZ

- **Az elektromos kéziszerszám szervizelését szakképzett szerelő végezze, csak az eredetivel megegyező cserealkatrészek felhasználásával.** Ezzel biztosítja az elektromos kéziszerszám biztonságának fenntartását.
- **Soha ne szervizeljen sérült akkumulátoregységet.** Az akkumulátoregységet csak a gyártó vagy felhatalmazott szerviz szolgáltató szervizelheti.

⚠ FIGYELMEZTETÉS! Olvassa el az elektromos kéziszerszámhoz mellékelt összes biztonsági figyelmeztetést, utasítást, ábrát és specifikációt. Az alább felsorolt utasítások be nem tartása áramütést, tűzveszélyt és/vagy súlyos sérülést idézhet elő. Őrizzen meg minden figyelmeztetést és utasítást, hogy később is elő tudja majd venni.

Őrizzen meg minden figyelmeztetést és utasítást, hogy később is elő tudja majd venni.

KÉPZÉS

- A készülék használatának megkezdése előtt olvassa el, értsen meg és tartsa be a gépen és a használati útmutató(k)ban lévő összes utasítást. Alaposan ismerje meg a készülék vezérlőelemeit és helyes használatát. Legyen tisztában azzal, hogyan tudja a készüléket leállítani és a vezérlőelemeket gyorsan kikapcsolni.
- Soha ne engedje, hogy gyermekek használják a készüléket. Soha ne engedje, hogy felnőttek úgy működtessék a készüléket, hogy nem kaptak megfelelő utasításokat.
- A munkaterületen ne legyenek más személyek, ideértve a kisgyerekeket is.
- Legyen óvatos, hogy ne csússzon vagy essen el, különösen, ha hátrafelé üzemelteti a hólápát tartozékot.
- **ELŐKÉSZÍTÉS**
- Soha ne működtesse a gépet, ha emberek, különösen gyermekek, vagy kisállatok vannak a közelben.
- A gép működtetése közben mindig viseljen védőszemüveget és vastag talpú cipőt.
- A gép és a közelben tartózkodók közötti távolság legalább 15 m legyen.
- Ne működtesse a gépet, ha a kezelő fáradt, beteg, illetve ha alkohol vagy kábítószer hatása alatt áll.
- Alaposan vizsgálja meg a területet, ahol a készüléket használni fogja, és távolítson el minden lábtörlőt, szánkót, snowboardot, vezetékét és egyéb idegen tárgyat.
- Ne üzemeltesse a készüléket megfelelő téli ruházat

viselése nélkül. Kerülje a mozgó alkatrészek közé könnyen beakadó, laza ruházat viselését. Viseljen olyan lábbelit, ami növeli a tapadást a csúszós felületeken.

- Mindig viseljen védőszemüveget vagy szemvédőt a gép működtetése közben, illetve beállítás vagy javítás végzésekor, hogy megvédje szemét azoktól az idegen tárgyaktól, amelyeket esetleg a gép feldob.
- Elektromos indítású motorral ellátott egységek esetén a gyártó által meghatározott hosszabbító kábeleket és aljakatokat használjon.
- A motor működése közben ne próbáljon semmilyen beállítást végezni (kivéve, ha ezt a gyártó kifejezetten javasolja).

HASZNÁLAT

- Ne tegye kezét vagy lábfejét a forgó alkatrészek alá. Soha ne tartózkodjon a kidobónyílásnál.
- Legyen különösen óvatos, amikor kavicsos kocsifelhajtón, gyalogúton vagy úton működteti a készüléket. Legyen felkészülve a forgalom rejtett veszélyeire.
- Ha idegen tárgya ütközik, állítsa le a motort, távolítsa el az akkumulátoregységet, alaposan vizsgálja át a hófúvót, hogy nincs-e rajta sérülés, és javítsa meg a sérülést, mielőtt ismét elindítaná és újra elkezdene működtetni a hólápát tartozékot.
- Ha a készülék rendellenesen rázkódni kezd, akkor azonnal állítsa le a motort, és ellenőrizze az okot. A rázkódás rendszerint valamilyen problémát jelez.
- Állítsa le a motort, amikor elhagyja az üzemeltetői pozíciót, mielőtt kinyitja a csigaegység házát, illetve ha javítást, beállítást végez, valamint átvizsgálja a gépet.
- Legyen különösen elővigyázatos, amikor lejtőn dolgozik.
- Soha ne működtesse a hólápát tartozékot megfelelő, a rendeltetési helyükön lévő és működőképes védőelemek vagy más védelmi eszközök nélkül.
- A kidobó soha ne irányítsa emberekre, vagy olyan területre, ahol anyagi kár keletkezhet. Tartsa távol a gyermekeket és más személyeket.
- Ne terhelje túl a gépet úgy, hogy túl gyors ütemben próbálja eltakarítani a havat.
- Soha ne kezelje a hólápát tartozékot csúszós felületeken nagy szállítási sebességgel. Nézzzen hátra, és legyen óvatos, amikor hátramenetben üzemelteti a készüléket.
- Csak a hólápát tartozék gyártója által jóváhagyott tartozékokat használjon (például a lehúzó rudat).
- Soha ne működtesse a hólápát tartozékot, ha nem jök a látási viszonyok vagy a fényviszonyok. Mindig ügyeljen

arra, hova lép, és tartsa erősen a fogantyúkat. Sétáljon, soha ne fusson.

- Ne tegye ki az akkumulátoregységet tűznek vagy túl magas hőmérsékletnek. Ha tűznek, vagy 100°C feletti hőmérsékletnek teszi ki, akkor felrobbanhat.
- Csak a B ábrán felsorolt akkumulátoregységeket és töltőket használja

ELTÖMÖDÖTT CSIGAEGYSÉG BELSŐ TISZTÍTÁSA

A hólápát tartozékkal összefüggésbe hozott leggyakoribb sérülés oka a kéz bekerülése a forgó csigaegységbe. A csigaegységet soha ne a kezével tisztítsa

A csigaegység tisztításához:

- KAPCSOLJA KI A SZERSZÁMOT!
- Vegye ki az akkumulátoregységet a szerszámból.
- Várjon tíz másodpercet, amíg megbizonyosodik arról, hogy a csiga abbahagyta a forgást.
- Mindig a csigaegység tartozékként csatolt tisztító szerszámot használja, és ne a kezét.

KARBANTARTÁS ÉS TÁROLÁS

- Rendszeres időközönként ellenőrizze, hogy a csavarok és egyéb rögzítések megfelelően meg vannak-e húzva, és így az elektromos szerszámmal való biztonságos munkavégzés adott-e.
- Mindig vegye figyelembe a használati útmutató fontos részleteit, ha a hólápát tartozékot hosszabb időre félrerakja.
- A biztonsági és utasításokkal ellátott címkéket tartsa karban, és cserélje ki, ha szükséges.
- Pár percig még működtesse a gépet, hogy elkerülje a csigaegység befagyását.

ŐRIZZE MEG EZEKET AZ UTASÍTÁSOKAT. Időnként olvassa át, és használja, amikor másokat a készülék használatára tanít be. Ha valakinek kölcsön adja a szerszámot, akkor adja át a használati utasítást is a helytelen használat és lehetséges sérülések elkerülése érdekében.

JELLEMZŐK

Névleges feszültség	56 V
Üresjáratú fordulatszám	1420± 10% ford./perc 1750± 10% ford./perc
Tisztítási szélesség	30 cm
Dobási távolság	Max. 7,5 m

Beszívó magasság	15 cm	
Javasolt üzemi hőmérséklet	-10-10°C	
Javasolt tárolási hőmérséklet *Akkumulátoregység NÉLKÜLI készülékhez	-20-70°C	
Súly	5,2 kg	
Mért hangteljesítményszint L_{WA}	98 dB(A) K=2,3 dB(A)	
Hangnyomósszint a kezelő fülénél L_{PA}	90 dB(A) K=2,5 dB(A)	
Garantált hangteljesítményszint L_{WA} (a 2000/14/EK szerint mérve)	100 dB(A)	
Vibráció értéke a_h :	Elülső segédfogantyú	4,4 m/s ² K=1,5 m/s ²
	Hátulsó fogantyú	3,9 m/s ² K=1,5 m/s ²

- A fenti paraméterek PH1400E meghajtófejjel felszerelve kerültek tesztelésre és mérésre.
- A névleges rezgési összérték mérése standard bevizsgálási módszerrel történt, és használatával a szerszámok egymással összehasonlíthatók.
- A névleges rezgési összérték a kockázat előzetes felméréséhez is felhasználható.

MEGJEGYZÉS: A rezgés-kibocsátás az elektromos szerszám aktuális használata közben eltérhet attól a névleges értéktől, amellyel a szerszámot használják: a kezelő védelme érdekében a használatonak kesztyűt és hallásvédőt kell használnia működtetés közben.

A CSOMAG TARTALMA (A ÁBRA)

LEÍRÁS

ISMERJE MEG A HÓLAPÁT TARTOZÉKOT (A. ábra)

1. Kidobó beállító gomb
2. Tengely
3. Rögzítőcsavar
4. Burkolat
5. Kidobó
6. Kaparórúd
7. Csiga

8. Csigatengely
9. Imbuszkulcs
10. Zárósapka

ÖSSZESZERELÉS

⚠ FIGYELMEZTETÉS: Ha bármely alkatrész sérült vagy hiányzik, akkor ne működtesse a terméket, amíg az alkatrészeket ki nem cserélik. Sérült vagy hiányzó alkatrészekkel való használat súlyos személyes sérülést okozhat.

⚠ FIGYELMEZTETÉS: Ne próbálja megváltoztatni a terméket, és ne készítsen hozzá tartozékokat, amelyek nem javasoltak ehhez a termékhez. Bármilyen módosítás vagy változtatás helytelen használatnak minősül, és veszélyes feltételeket teremthet, amely súlyos személyi sérüléssel végződhet.

KICSOMAGOLÁS

- Gondosan vizsgálja meg az eszközt, és ellenőrizze, hogy a szállítás során nem tört-e el, vagy sérült-e meg.
- Ne dobja ki a csomagolóanyagot, amíg nem vizsgálta meg, és megfelelően nem kezelte az eszközt.

A HÓLAPÁT TARTOZÉK RÖGZÍTÉSE A MEGHAJTÓFEJRE

A hólapát tartozékot EGO PH1400E meghajtófejhez tervezték.

Lásd az „ALKATRÉSZ CSATLAKOZTATÁSA A MEGHAJTÓFEJHEZ” fejezetet a PH1400E meghajtófej használati útmutatójában.

AZ ADAPTER ELTÁVOLÍTÁSA A MEGHAJTÓFEJRŐL

Lásd az „ALKATRÉSZ LEVÉTELE A MEGHAJTÓFEJRŐL” fejezetet a PH1400E meghajtófej használati útmutatójában.

HASZNÁLAT

⚠ FIGYELMEZTETÉS: Ne hagyja, hogy a termékkel szerzett jártassága miatt óvatlanul váljon. Emlékezzon arra, hogy a másodperc töredéke alatt történő óvatlanság súlyos sérülést okozhat.

⚠ FIGYELMEZTETÉS: Mindig viseljen védőszemüveget vagy oldalsó védőlemezzel ellátott védőszemüveget és teljes védőárlarcot a termék működtetése közben. Amennyiben nem ezt teszi, tárgyak repülhetnek a szemébe, és más komoly sérülések keletkezhetnek.

ALKALMAZÁSOK

A terméket az alábbi célokra használhatja:

- Kis területek és könnyű munkaterületek, például udvarok, járdák és garázsok tisztítása.

A HÓLAPÁT TARTOZÉK HASZNÁLATA A MEGHAJTÓFEJEL

⚠ FIGYELMEZTETÉS: Soha ne használja a hólapátot fagyott tavakon, folyókon vagy hasonló felületeken. Ha a jég beszakad, súlyos baleset történhet.

⚠ FIGYELMEZTETÉS: Soha ne használja a hólapátot háztetőn vagy más instabil felületen, mivel az halált vagy súlyos sérülést okoz.

⚠ FIGYELMEZTETÉS: Ne használja a hólapátot jégen, mivel a kezelő megcsúszhat és eleshet, ami esetleg súlyos személyi sérülésre vezethet.

⚠ FIGYELMEZTETÉS: Ne viseljen laza ruházatot, sálát vagy ékszereket. Ezek beakadhatnak a mozgó alkatrészek közé, és halált vagy súlyos személyi sérülést okozhatnak.

⚠ FIGYELMEZTETÉS: Soha ne irányítsa a hólapát tartozékot emberek vagy háziállatok irányába. A kidobott hó vagy egyéb kilöködő tárgyak súlyos személyi sérüléseket okozhatnak.

⚠ FIGYELMEZTETÉS: Ügyeljen arra, hogy a területen, amelyről a havat el kívánja takarítani, ne legyenek kövek, botok, vezetékek, kavics és egyéb olyan tárgyak, amelyek a hófúvó véletlenül bármilyen irányba eldobhat, és ezáltal a kezelő vagy más személyek súlyos személyi sérülését okozhatják.

Ha a hólapát tartozékot használja, tartsa szorosan a szerszámot mindkét kezével működés közben (ábra. C).

- A munka megkezdése előtt figyelje meg a szél irányát. Amennyiben lehetséges, a hó kidobását ugyanarra végezze, amerre a szél fúj, így megakadályozhatja, hogy a szél a havat az arcába fújja.
- A hólapát tartozék egyes részei szélsőséges időjárás körülmények között befagyhatnak. A szerszámot ne próbálja befagyott alkatrészekkel működtetni.
- Ha a szerszám működés közben bármilyen akadályba ütközik, állítsa le és vegye ki az akkumulátort. Használat előtt alaposan ellenőrizze a szerszámot.
- Ha a hó túl vastag és mélyebb, mint a tisztítási mélység, több lépésre is szükség lehet a megtisztításhoz.

Ha elkészült, hagyja a szerszámot néhány percre működni, hogy minden hó távozzon a csigából a tárolás előtt.

A SZERSZÁM INDÍTÁSA/LEÁLLÍTÁSA

Lásd „A MEGHAJTÓFEJ INDÍTÁSA/LEÁLLÍTÁSA” fejezetet a PH1400E meghajtófej használati útmutatójában

KIDOBÓ BEÁLLÍTÓ GOMB (D ábra)

A hólapát tartozék kidobási irányát a kidobó beállító gomb forgatásával lehet balra, előre, vagy jobbra módosítani.

A gomb maximális beállítási tartománya 60° (30° balra vagy jobbra).

A gomb záródik, ha a bal szélső vagy jobb szélső pozícióban van. Nyomja meg a gombot, és fordítsa el fordított helyzetbe a zárolás feloldásához.

D-1	Zárolás jelzőlámpa
D-2	Kidobó beállító gomb

KARBANTARTÁS

ÁLTALÁNOS KARBANTARTÁS

A műanyag alkatrészek tisztításához ne használjon oldószereket. A legtöbb műanyag különböző vagy oldószerek hatására károsodik, ezek megrongálhatják őket. Használjon tiszta ruhát a szennyeződés, por, olaj, zsír, stb. eltávolításához.

▲ FIGYELMEZTETÉS: A hólapát tartozékat a tisztításakor NE merítse vízbe vagy más folyadékba.

A KAPARÓRÚD FELSZERELÉSE ÉS LEVÁLASZTÁSA

1. Vegye ki az akkumulátoregységet a meghajtófejből.
2. Fektesse a hólapát tartozékat az oldalára, vagy bármely más kényelmes helyzetbe a kaparórúd szervizeléséhez.
3. Távolítsa el a kaparórúd elején lévő négy csavart, valamint a két végén lévő két csavart. Egy csavarhúzóval (nem tartozék) csavarja ki őket (E és F ábra).

E-1	Kaparórúd
-----	-----------

4. Szükség esetén cserélje ki a kaparórudat egy újra.
5. Az összeszereléshez helyezzen be egy új kaparórudat a hat lyukhoz igazítva, helyezze be a hat csavart a lyukakba, és rögzítse őket egy csavarhúzóval (nem tartozék).

SEBESSÉGVÁLTÓ OLAJÓZÁSA

A szerelvényburkolatban lévő sebességváltót időnként be kell olajozni kenőanyaggal. Ellenőrizze a szerelvényburkolat kenőanyag szintjét minden 50.

működési óra után, úgy, hogy leveszi a burkolat oldalán lévő rögzítőcsavart.

Ha nem lát kenőanyagot a burkolat oldalán, akkor kövesse a lenti lépéseket, hogy feltöltse a térfogat 3/4-éig kenőanyaggal.

Ne töltse fel teljesen a szerelvényburkolatot.

1. Állítsa fel egyenesen a tartozékat, hogy a rögzítőcsavar felfelé nézzen (G ábra).

G-1	Hajtóműház
G-2	Rögzítőcsavar

2. Használja a mellékelt multifunkciós csavarulcsot a rögzítőcsavar megállításához és levételéhez.
3. Használjon zsírzó fecskendőt (nem tartozék), hogy kenőanyagot vigyen fel a csavar nyílásra; ne lépje túl a 3/4 térfogatot.
4. Befecskendezés után húzza meg a rögzítőcsavart.

SZÁLLÍTÁS ÉS TÁROLÁS

- Vegye ki az akkumulátoregységet a szerszámból.
- Tárolás előtt alaposan tisztítsa meg a készüléket.

A szerszámot száraz, jól szellőző, elzárt vagy magas helyen tárolja, ahol gyermekek nem érik el. Ne tárolja a szerszámot trágya, benzin vagy más vegyszerek mellett vagy ezeken.

Környezetvédelem



Ne dobja ki az elektromos készülékeket a szelektálatlan háztartási hulladékkal együtt, szelektív hulladékgyűjtő helyeken helyezze el ezeket. Forduljon a helyi önkormányzatához a rendelkezésre álló gyűjtőhelyekkel kapcsolatos információért.

Ha az elektromos berendezéseket hulladéklerakóban vagy szeméttelpeken ártalmatlanítják, olyan veszélyes anyagok kerülhetnek belőlük a talajvízbe, majd onnan a táplálékláncba, amelyek veszélyeztetik az egészséget és az emberi jólétet.

HIBAELHÁRÍTÁS

PROBLÉMA	OK	MEGOLDÁS
A hólapát nem indul el.	<ul style="list-style-type: none"> ■ Lemerült akkumulátor ■ A biztonsági kapcsológombot vagy az indítógombot nem megfelelően használták. ■ Az akkumulátor nincs teljesen behelyezve a házba. 	<ul style="list-style-type: none"> ■ Töltsé fel az akkumulátort. ■ Kövesse a PH1400E kézikönyvben szereplő „A MEGHAJTÓFEJ INDÍTÁSA/LEÁLLÍTÁSA” fejezetet. ■ Ellenőrizze, hogy az akkumulátor teljesen be van-e helyezve a házba.
A gép nyilvánvalóan sérült.	<ul style="list-style-type: none"> ■ Nem megszokott sérülés a szállítás vagy a használat során. 	<ul style="list-style-type: none"> ■ Ne használja tovább, küldje el a kijelölt szervizközpontba javításra.
A hólapát egy vékony réteget meghagy.	<ul style="list-style-type: none"> ■ A kaparórúd elhasználódott. 	<ul style="list-style-type: none"> ■ Cserélje ki a kaparórudat.
Váratlan leállás működés közben	<ul style="list-style-type: none"> ■ Túlterhelt gép ■ Az akkumulátor vagy a gép túlmelegedett. 	<ul style="list-style-type: none"> ■ Csökkentse a gép terhelésének intenzitását. ■ Működtetés előtt hűtse le az akkumulátort vagy a szerszámot.

GARANCIA

EGO GARANCIÁLIS FELTÉTELEK

Kérjük, látogasson el az egopowerplus.com oldalra, ahol megtalálja a részletes EGO garanciális feltételeket.

CITIȚI TOATE INSTRUCȚIUNILE



CITIȚI MANUALUL DE INSTRUCȚIUNI

Citiți, înțelegeți și respectați toate instrucțiunile de pe mașină și din manualele de utilizare înainte de utilizarea acesteia. Familiarizați-vă cu comenzile și cu utilizarea corectă a mașinii. Să știți cum să opriți unitatea și să dezactivați rapid comenzile.

⚠ Riscuri reziduale! Persoanele cu dispozitive electronice precum stimuloare cardiace ar trebui să se consulte cu medicul (medicii) înainte de a utiliza acest produs. Funcționarea echipamentelor electrice în imediata apropiere a unui stimulator cardiac ar putea provoca interferențe sau defecțiuni ale stimulatorului cardiac.

⚠ AVERTISMENT: Pentru siguranța și fiabilitatea produsului, toate reparațiile și înlocuirile de piese ar trebui efectuate de către un tehnician de service autorizat.

SIMBOLURI PRIVIND SIGURANȚA

Scopul simbolurilor privind siguranța este să vă atragă atenția asupra pericolelor posibile. Simbolurile privind siguranța și explicațiile furnizate cu acestea merită atenția și înțelegerea dumneavoastră. Avertizările simbolurilor nu elimină, prin ele însele, niciun pericol. Instrucțiunile și avertizările pe care le oferă acestea nu pot înlocui măsurile adecvate de prevenire a accidentelor.

⚠ AVERTISMENT: Asigurați-vă că ați citit și înțelegeți toate instrucțiunile privind siguranța din acest Manual de utilizare, inclusiv toate simbolurile de alertă privind siguranța precum „PERICOL”, „AVERTISMENT” și „ATENȚIE” înainte de a utiliza această sculă. Nerespectarea tuturor instrucțiunilor enumerate mai jos poate duce la electrocutare, incendiu și/ sau vătămări corporale grave.

SEMNIFICAȚIA SIMBOLURILOR

RO SIMBOL DE AVERTIZARE PRIVIND SIGURANȚA: Indică PERICOL, AVERTISMENT sau ATENȚIE, poate fi utilizat împreună cu alte simboluri sau pictograme.



⚠ AVERTISMENT: Exploatarea oricăror scule electrice se poate solda cu ricoșarea de obiecte străine în ochii dumneavoastră, ceea ce se poate solda cu vătămarea gravă a ochilor. Înainte de a începe să utilizați scula electrică, echipați-vă întotdeauna cu ochelari de protecție cu apărători laterale și vizieră pentru față, atunci când este nevoie. Vă recomandăm să purtați o vizieră lată de protecție peste ochelarii de vedere sau ochelari de protecție standard cu apărători laterale.

INSTRUCȚIUNI PRIVIND SIGURANȚA

Această pagină descrie simbolurile de siguranță ce pot apărea pe acest produs. Citiți, înțelegeți și respectați toate instrucțiunile de pe mașină înainte de a o asambla și de a o utiliza.



Precauții care implică siguranța dumneavoastră.



Purtați întotdeauna ochelari de protecție sau ochelari de protecție cu apărători laterale și o vizieră facială completă când utilizați acest produs.



Țineți picioarele departe de rotorul rotativ.



Pentru a reduce riscul de vătămare, utilizatorul trebuie să citească și să înțeleagă manualul de instrucțiuni înainte de a utiliza acest produs.



Nu folosiți mâinile pentru a desfunda jgheabul.



Nu utilizați acest produs în ploaie și nu-l lăsați în exterior în timp ce plouă.

CE Acest produs este în conformitate cu directivele europene aplicabile.

Deșeurile produselor electrice nu trebuie să fie eliminate împreună cu deșeurile menajere. Predați-le unui punct de reciclare autorizat.

V Tensiune

cm Centimetru

Curent continuu

UK CA Acest produs este în conformitate cu legislația aplicabilă din Marea Britanie.

IPX4 Protecție de grad 4 împotriva pătrunderii apei.

mm Milimetru

kg Kilograme

INSTRUCȚIUNI GENERALE DE SIGURANȚĂ PENTRU SCULE ELECTRICE

⚠️ AVERTISMENT! Citiți toate instrucțiunile, avertizările de siguranță, ilustrațiile și specificațiile livrate împreună cu această sculă electrică.

Nerespectarea tuturor instrucțiunilor enumerate mai jos se poate solda cu șoc electric, incendiu și/sau vătămare corporală gravă.

PĂSTRAȚI TOATE AVERTISMENTE ȘI INSTRUCȚIUNILE PENTRU CONSULTARE ULTERIOARĂ.

Termenul „sculă electrică” din avertizări se referă la scula electrică (cu cablu) alimentată de la rețeaua electrică sau scula electrică (fără cablu de alimentare) care funcționează cu acumulator.

SIGURANȚA ZONEI DE LUCRU

- **Păstrați zona de lucru curată și bine iluminată.** Zonele dezordonate și întunecoase predisun la accidente.
- **Nu puneți în funcțiune sculele electrice în atmosfere explozive, cum ar fi în prezența lichidelor, gazelor sau a pulberilor inflamabile.** Sculele electrice creează scântei, care pot aprinde pulberile sau gazele.
- **Țineți copii și persoanele prezente la distanță atunci când utilizați o sculă electrică.** Distragerea atenției vă poate face să pierdeți controlul.

SIGURANȚA PERSONALĂ

- **Păstrați-vă vigilența, urmăriți ceea ce faceți și apelați la bunul simț când utilizați o sculă electrică.** Nu utilizați o sculă electrică când sunteți obosit sau sub influența drogurilor, a alcoolului sau a medicației. Un moment de neatenție în timp ce utilizați sculele electrice se poate solda cu vătămări grave.
- **Utilizați echipamente individuale de protecție.**

Purtați întotdeauna echipament de protecție oculară. Echipamentele de protecție, cum ar fi masca de praf, bocancii de protecție antiderapanți, casca sau antifioanele utilizate în condiții corespunzătoare, vor reduce vătămările corporale.

- **Preveniți pornirea accidentală. Asigurați-vă că întrerupătorul este în poziția oprit înainte de a conecta scula la o sursă de alimentare și/sau set de acumulatori, înainte de a ridica sau transporta scula.** Transportul sculelor electrice cu degetul pe întrerupător sau cu alimentarea cu energie electrică pornită predisune la accidente.
- **Îndepărtați orice cheie de reglare sau cheie fixă înainte de a porni scula electrică.** O cheie lăsată într-o piesă rotativă a sculei electrice poate duce la accidente.
- **Nu încercați să ajungeți în locuri inaccesibile. Păstrați-vă stabilitatea și echilibrul în orice moment.** Astfel veți avea un control mai bun asupra sculei electrice în situații neașteptate.
- **Îmbrăcați-vă corespunzător. Nu purtați haine largi sau bijuterii. Păstrați-vă părul, îmbrăcămintea și mânușile departe de componentele în mișcare.** Îmbrăcămintea largă, bijuteriile sau părul lung pot fi prinse de piesele în mișcare.
- **Dacă sunt furnizate dispozitive pentru conectarea sistemelor de extragere și colectare a prafului, asigurați-vă că acestea sunt conectate și utilizate corespunzător.** Utilizarea dispozitivelor colectoare de praf poate reduce pericolele legate de praf.
- **Nu permiteți ca familiaritatea dobândită în urma utilizării frecvente a sculelor să vă facă să neglijați sau să nesocotiți principiile de siguranță ale sculei.** O operație neglijentă poate cauza vătămări grave într-o fracțiune de secundă.

UTILIZAREA ȘI ÎNGRIJIREA SCULELOR ELECTRICE

- **Nu forțați scula electrică. Utilizați scula electrică corespunzătoare pentru aplicația dumneavoastră.** Scula electrică adecvată va face o treabă mai bună și mai sigură când este utilizată conform specificațiilor pentru care a fost concepută.
- **Nu utilizați scula electrică dacă întrerupătorul nu comută pe pozițiile pornit și oprit.** Orice sculă electrică ce nu poate fi controlată de la întrerupător este periculoasă și trebuie reparată.
- **Deconectați setul de acumulatori, dacă este detașabil, de scula electrică și/sau activați orice dispozitiv de dezactivare a acumulatorilor înainte de efectuarea oricăror reglaje, schimbări de accesorii, curățare sau înainte de depozitarea sculelor electrice.** Astfel de măsuri preventive reduc riscul de pornire accidentală a sculei electrice.
- **Depozitați sculele electrice într-un loc inaccessibil copiilor și nu permiteți utilizarea sculei electrice de persoane nefamiliarizate cu aceasta sau cu aceste instrucțiuni.** Sculele electrice sunt periculoase în mâna utilizatorilor neinstruiți.
- **Întrețineți sculele electrice și accesoriile. Verificați dacă există abateri de la coaxialitate sau îndoiri ale pieselor în mișcare, avarii ale pieselor și orice altă situație care poate afecta funcționarea sculelor electrice.** În caz de deteriorare, reparați scula electrică înainte de utilizare. Multe accidente sunt cauzate de sculele electrice prost întreținute.
- **Mențineți sculele de tăiere ascuțite și curate.** Sculele de tăiere întreținute corespunzător și cu muchii de tăiere ascuțite riscă mai puțin să se îndoie și sunt mai ușor de controlat.
- **Utilizați scula electrică, accesoriile și cuțitele demontabile etc. în conformitate cu aceste instrucțiuni, ținând cont de condițiile de lucru și lucrarea de efectuat.** Utilizarea sculei electrice pentru operații diferite de cele intenționate s-ar putea solda cu o situație periculoasă.
- **Mențineți mânerul și suprafețele de apucare uscate, curate și fără ulei și vaselină.** Mânerul și suprafețele de apucare alunecoase nu permit manevrarea în siguranță și controlul asupra sculei în situații neașteptate.
- **Țineți cablurile la distanță de zona de lucru a sculei.** În timpul funcționării sculei electrice, cablurile electrice pot fi mascate și pot fi tăiate accidental de sculă.

UTILIZAREA ȘI ÎNGRIJIREA ACUMULATORULUI

- **Reîncărcați numai cu încărcătorul specificat de producător.** Un încărcător adecvat pentru un tip de set de acumulatori poate prezenta risc de incendiu dacă este utilizat cu alt set de acumulatori.
- **Utilizați sculele electrice doar cu seturile de acumulatori special menționate.** Utilizarea oricărui alt set de acumulatori prezintă risc de accidente și incendiu.
- **Când nu se utilizează setul de acumulatori, țineți-l departe de alte obiecte metalice precum țigările de hârtie, monedele, cheile, cuiele, șuruburile sau alte obiecte metalice mici care pot realiza o conexiune între borne.** Scurtcircuitarea bornelor acumulatorului poate produce arsurii sau un incendiu.
- **În condiții abuzive se poate scurge lichid din acumulator; evitați contactul.** Dacă are loc contactul accidental, clătiți cu apă. Dacă lichidul intră în contact cu ochii, efectuați suplimentar un consult medical. Lichidul scurs din acumulator poate produce iritări sau arsuri.
- **Nu utilizați un set de acumulatori sau o sculă deteriorată sau modificată.** Acumulatorii deteriorați sau modificați pot prezenta comportament imprevizibil, care poate duce la incendiu, explozie sau risc de vătămare.
- **Nu expuneți setul de acumulatori la foc sau la temperaturi excesive.** Expunerea la foc sau la temperaturi de peste 100°C poate provoca explozie.
- **Respectați instrucțiunile de încărcare și nu încărcați setul de acumulatori sau scula în afara intervalului de temperatură specificat în instrucțiuni.** Încărcarea necorespunzătoare sau la temperaturi în afara domeniului specificat poate duce la deteriorarea acumulatorului și la creșterea riscului de incendiu.

SERVICE

- **Apelați numai la o persoană calificată pentru a vă repara scula electrică utilizând numai piese de schimb identice.** Astfel se asigură menținerea nivelului de siguranță al sculei electrice.
- **Nu efectuați niciodată operații de service asupra seturilor de acumulatori deteriorați.** Depanarea acumulatorilor trebuie să fie efectuată numai de producător sau de prestatorii autorizați de servicii.

⚠ AVERTISMENT! Citiți toate instrucțiunile, avertizările de siguranță, ilustrațiile și specificațiile livrate împreună cu această sculă electrică.

Nerespectarea tuturor instrucțiunilor enumerate mai jos se poate solda cu șoc electric, incendiu și/sau vătămare corporală gravă. Păstrați toate avertizările și instrucțiunile pentru consultare ulterioară.

Păstrați toate avertizările și instrucțiunile pentru consultare ulterioară.

INSTRUIREA

- Citiți, înțelegeți și respectați toate instrucțiunile de pe mașină și din manualele de utilizare înainte de utilizarea acestei scule. Familiarizați-vă cu comenzile și cu utilizarea corectă a echipamentului. Învățați cum să opriți unitatea și să dezactivați rapid comenzile.
- Nu permiteți niciodată copiilor să utilizeze echipamentul. Nu lăsați niciodată adulții să utilizeze echipamentul fără instrucțiuni adecvate.
- Mențineți zona de funcționare liberă de toate persoanele, în special de copiii mici.
- Aveți grijă să evitați alunecarea sau căderea, în special atunci când acționați accesoriul lopeții pentru zăpadă în marșarier.

PREGĂTIREA

- Nu utilizați niciodată mașina în timp ce sunt oameni, mai ales copii, sau animale în apropiere.
- Purtați în permanență echipament de protecție oculară și încălțăminte rezistentă când utilizați mașina.
- Distanța dintre produs și trecători trebuie să fie de cel puțin 15 m.
- Nu utilizați mașina dacă sunteți obosit, bolnav sau sub influența alcoolului ori a altor substanțe.
- Inspectați cu atenție zona în care urmează a fi utilizat echipamentul și îndepărtați toate covorașele, săniile, plăcile, sămele și alte obiecte străine.
- Nu folosiți echipamentul fără a purta haine de iarnă adecvate. Evitați hainele largi, care pot fi prinse în piese în mișcare. Purtați încălțăminte de protecție care vă va îmbunătăți stabilitatea și aderența pe suprafețele alunecoase.
- Purtați întotdeauna ochelari de protecție sau echipament de protecție pentru ochi în timpul funcționării sau în timpul efectuării unui reglaj sau al unei reparații pentru a proteja ochii de obiecte străine care ar putea fi aruncate de la mașină.
- Folosiți cabluri prelungitoare și prize conform specificațiilor producătorului pentru toate unitățile cu motoare electrice de pomire.
- Nu încercați niciodată să efectuați vreun reglaj în timp ce motorul funcționează (cu excepția cazului în care este recomandat în mod specific de producător).

FUNCȚIONARE

- Nu vă amplasați niciodată mâinile sau picioarele în apropiere sau sub părțile rotative. Stați întotdeauna

departe de orificiile de evacuare.

- Fiți foarte atent atunci când utilizați mașina pe suprafețe cu pietriș, pavaje sau drumuri ori când le traversați. Fiți atent la pericolele ascunse sau la traficul.
- După lovirea unui obiect străin, opriți motorul, îndepărtați setul de acumulatori, inspectați cu atenție lopata pentru zăpadă pentru depistarea eventualelor deteriorări și reparați daunele înainte de a reporni și utiliza lopata pentru zăpadă.
- Dacă mașina începe să producă vibrații anormale, opriți motorul și identificați imediat cauza. Vibrațiile sunt în general semnul unor probleme.
- Opriți motorul ori de câte ori părăsiți poziția de funcționare, înainte de a desfunda carcasa ansamblului melcului și atunci când faceți reparații, reglaje sau inspecții.
- Fiți foarte atent când utilizați mașina pe pante.
- Nu utilizați niciodată suflanta pentru zăpadă fără apărătorile adecvate sau alte dispozitive de protecție instalate și în stare de funcționare.
- Nu direcționați niciodată evacuarea către persoane sau zone în care pot surveni daune materiale. Țineți copiii și alte persoane la distanță.
- Nu supraîncărcați capacitatea mașinii încercând să curățați zăpada cu o viteză prea mare.
- Nu acționați niciodată lopata de zăpadă la viteze mari de transport pe suprafețe alunecoase. Priviți în urmă și fiți atent atunci când utilizați mașina în marșarier.
- Utilizați numai atașamente și accesorii aprobate de producătorul lopeții de zăpadă (cum ar fi bara de răzuire).
- Nu acționați niciodată lopata de zăpadă fără vizibilitate sau lumină bună. Păstrați-vă întotdeauna stabilitatea și mențineți mâinile ferme pe mânere. Mergeți, nu alergați niciodată.
- Nu expuneți setul de acumulatori la foc sau la temperaturi excesive. Expunerea la foc sau la temperaturi de peste 100°C poate provoca explozie.
- Utilizați numai seturile de acumulatori și încărcătorii menționați în fig. B.

CURĂȚAREA UNUI ANSAMBLU DE MELC ÎNFUNDAT

Contactul manual cu ansamblul melcului rotativ este cea mai frecventă cauză de rănire asociată cu lopata de zăpadă. Nu folosiți niciodată mâna pentru a curăța ansamblul melcului rotativ.

Pentru a desfunda ansamblul melcului:

- **OPRIȚI SCULA!**

- Scoateți acumulatorul din sculă.
- Așteptați 10 secunde pentru a vă asigura că melcul se oprește din rotație.
- Utilizați întotdeauna instrumentul de curățare a melcului care este atașat la mașină ca accesoriu, nu vă folosiți mâna.

ÎNȚREȚINEREA ȘI DEPOZITAREA

- Verificați toate șuruburile sau elementele de fixare la intervale regulate, pentru a verifica strângerea corespunzătoare, pentru a vă asigura că echipamentul este într-o stare de funcționare în siguranță.
- Consultați întotdeauna manualul de utilizare pentru detalii importante dacă lopata pentru zăpadă este depozitată pentru o perioadă îndelungată.
- Reparați sau înlocuiți etichetele de siguranță și cu instrucțiuni după cum este necesar.
- Puneți mașina în funcțiune câteva minute pentru a preveni înghețarea ansamblului melcului.

PĂSTRAȚI ACESTE INSTRUCȚIUNI. Consultați-le frecvent și utilizați-le pentru a instrui alte persoane care ar putea utiliza această sculă. Dacă împrumutați cuiva această sculă, împrumutați-i și aceste instrucțiuni pentru a preveni utilizarea inadecvată a produsului și posibile vătămări.

SPECIFICAȚII

RO

Tensiune nominală	56 V
Turație de mers în gol	1420±10%rpm 1750±10%rpm
Lățime de curățare	30 cm
Distanță de evacuare	Până la 7,5 m
Înălțime de admisie	15 cm
Temperatură de funcționare recomandată	-10-10°C
Temperatură de depozitare recomandată *Greutate pentru aparat FĂRĂ set de acumulatori	-20-70°C
Greutate	5,2 kg
Nivel de putere sonoră măsurată L_{WA}	98 dB(A) K=2,3 dB(A)
Nivel de presiune sonoră la urechea operatorului L_{PA}	90 dB(A) K=2,5 dB(A)

Nivel de putere acustică garantat L_{WA} (măsurat în conformitate cu 2000/14/CE)		100 dB(A)
Valoarea vibrațiilor a_r :	Mâner frontal de susținere	4,4 m/s ² K=1,5 m/s ²
	Mâner posterior	3,9 m/s ² K=1,5 m/s ²

- Parametrii de mai sus sunt testați și măsuțați când scula este echipată cu capul de alimentare PH1400E.
- Valoarea totală declarată a vibrațiilor a fost măsurată în conformitate cu o metodă standard de testare și poate fi utilizată pentru compararea sculelor între ele;
- Valoarea totală declarată poate fi utilizată în evaluarea preliminară a expunerii.

OBSERVAȚIE: Vibrațiile emise în timpul utilizării efective a sculei electrice pot diferi față de valoarea celor declarate pentru scula utilizată; Pentru protejerea operatorului, utilizatorul trebuie să poarte mănuși și protecții auditive în timpul utilizării efective a produsului.

LISTA COMPONENTELOR (FIG. A)

DESCRIEREA

DESCRIEREA LOPEȚII ELECTRICE DE ZĂPADĂ (Fig. A)

1. Buton de reglare deflector
2. Tijă
3. Șurub de etanșeizare
4. Platformă
5. Deflector
6. Bară de răzuire
7. Melc
8. Axul melcului
9. Cheie hexagonală
10. Dop

ASAMBLARE

⚠️ AVERTISMENT: Dacă unele piese sunt deteriorate sau lipsesc, nu utilizați acest produs până la înlocuirea pieselor. Utilizarea acestui produs cu piese deteriorate sau lipsă s-ar putea solda cu vătămări grave.

⚠️ AVERTISMENT: Nu încercați să modificați acest produs sau să creați accesorii nerecomandate pentru

acest produs. Orice astfel de modificare sau schimbare reprezintă o utilizare necorespunzătoare și se poate solda cu condiții periculoase care pot conduce la posibile vătămări grave.

DESPACHETAREA

- Inspectați cu atenție scula pentru a vă asigura că aceasta nu a suferit defecțiuni sau avarii pe durata transportului.
- Nu eliminați materialele de ambalare până când nu ați inspectat cu atenție și ați utilizat produsul în mod satisfăcător.

CONECTAREA LOPEȚII DE ZĂPADĂ LA CAPUL DE ALIMENTARE

Această lopată de zăpadă este proiectată pentru utilizarea cu Capul de alimentare EGO PH1400E.

Consultați paragraful privind „**INSTALAREA UNUI ACCESORIU LA CAPUL DE ALIMENTARE**” din manualul de instrucțiuni al capului de alimentare PH1400E.

DECONNECTAREA ACCESORIULUI DE LA CAPUL DE ALIMENTARE

Consultați paragraful „**DETAȘAREA ACCESORIULUI DE LA CAPUL DE ALIMENTARE**” din manualul de utilizare al capului de alimentare PH1400E.

FUNCȚIONARE

⚠️ AVERTISMENT: Nu permiteți ca familiarizarea cu acest produs să vă determine să fiți neatent. Amintiți-vă că o fracțiune de secundă de neatenție este suficientă pentru a provoca vătămări grave.

⚠️ AVERTISMENT: Purtați întotdeauna ochelari de protecție sau ochelari de protecție cu apărători laterale și o vizieră facială completă când utilizați acest produs. Nerespectarea acestei instrucțiuni ar putea avea ca rezultat proiectarea în ochi a obiectelor și alte posibile vătămări grave.

APLICAȚII

Puteți utiliza acest produs în scopul menționat mai jos:

- Curățarea suprafețelor mici și a condițiilor de lucru ușoare, cum ar fi curțile, trotuarele și garajele.

UTILIZAREA LOPEȚII DE ZĂPADĂ CU CAPUL DE ALIMENTARE

⚠️ AVERTISMENT: Nu folosiți niciodată lopata de zăpadă pe lacuri înghețate, râuri sau suprafețe similare. Ar

putea surveni decesul sau vătămarea gravă dacă gheața se sparge.

⚠️ AVERTISMENT: Nu folosiți niciodată lopata pentru zăpadă pe acoperiș sau pe altă suprafață instabilă, deoarece acest lucru poate duce la deces sau vătămări corporale grave.

⚠️ AVERTISMENT: Nu folosiți lopata de zăpadă pe gheață, deoarece acest lucru poate cauza alunecarea și căderea operatorului, ceea ce poate duce la vătămări corporale grave.

⚠️ AVERTISMENT: Nu purtați haine largi, eșarfe sau bijuterii. Pot fi prinse în părțile mobile și pot provoca decesul sau vătămări corporale grave.

⚠️ AVERTISMENT: Nu îndreptați niciodată lopata de zăpadă în direcția persoanelor sau a animalelor de companie. Zăpada aruncată sau alte obiecte pot provoca vătămări corporale grave.

⚠️ AVERTISMENT: Asigurați-vă că zona care trebuie curățată este lipsită de pietre, bețe, sărmă, pietriș și alte obiecte care ar putea fi proiectate accidental de lopată în orice direcție și ar putea provoca vătămări corporale grave operatorului și altor persoane.

Când folosiți lopata de zăpadă, țineți scula cu fermitate cu ambele mâini în timpul funcționării (Fig. C).

- Observați direcția vântului înainte de pornire. Când este posibil, descărcați zăpada în aceeași direcție ca a vântului, pentru a împiedica zăpada să fie aruncată înapoi.
- Unele părți ale lopeții de zăpadă pot îngheța în condiții meteorologice extreme. Nu încercați să acționați unitatea cu piese înghețate.
- Dacă scula intră în contact cu orice tip de obstrucție în timpul funcționării, opriți-o și scoateți setul de acumulatori. Verificați scula cu atenție înainte de utilizare.
- Dacă zăpada este prea groasă și mai adâncă decât adâncimea de curățare, poate fi necesară mai mult de o trecere pentru a o îndepărta.

Când ați terminat, lăsați scula să funcționeze câteva minute pentru a permite ca toată zăpada să degajeze melcul înainte de depozitare.

PORNIREA/OPRIREA SCULEI

Consultați paragraful privind „**PORNIREA/OPRIREA CAPULUI DE ALIMENTARE**” din manualul de instrucțiuni al capului de alimentare PH1400E.

BUTONUL DE REGLARE A DEFLECTORULUI (Fig. D)

Direcția de descărcare a lopeții de zăpadă poate fi modificată prin rotirea butonului de reglare a deflectorului spre stânga, înainte sau dreapta.

Intervalul maxim de reglare a butonului este de 60° (30° la stânga sau la dreapta).

Butonul va fi blocat când se află în poziția cea mai stângă sau cea mai dreaptă. Apăsăți butonul și rotiți-l în sens invers pentru a-l debloca.

D-1	Indicador de blocare
D-2	Buton de reglare deflector

ÎNȚREȚINEREA

ÎNȚREȚINERE GENERALĂ

Evitați utilizarea solventilor când curățați piese din plastic. Majoritatea pieselor din plastic sunt susceptibile să se deterioreze de la diverse tipuri de solventi comerciali și se pot defecta prin utilizarea acestora. Utilizați lavete curate pentru a îndepărta murdăria, praful, uleiul, vaselina etc.

⚠️ AVERTISMENT: Când curățați lopata de zăpadă, NU o scufundați în apă sau în alte lichide.

MONTAREA ȘI DETAȘAREA BAREI DE RĂZUIRE

1. Detașați setul de acumulatori de la capul de alimentare.
2. Așezați lopata de zăpadă culcat pe o parte sau în orice altă poziție convenabilă pentru întreținerea barei de răzuire.
3. Îndepărtați cele patru șuruburi din partea din față a barei de răzuire, precum și cele două șuruburi de la ambele capete. Folosiți o șurubelniță (nu este inclusă) pentru a le deșuruba (Fig. E și F).

E-1	Bară de răzuire
-----	-----------------

4. Înlocuiți bara de răzuire uzată cu una nouă, dacă este necesar.
5. Pentru a reasambla, introduceți o nouă bară de răzuire cu cele șase găuri aliniate, introduceți cele șase șuruburi în găuri și fixați-le cu o șurubelniță (nu este inclusă).

LUBRIFIEREA ANGRENAJELOR DE TRANSMISIE

Angrenajele de transmisie din carcasa cutiei de viteze trebuie lubrificate periodic cu vaselină pentru angrenaje. Verificați nivelul unsorii din carcasa cutiei de viteze la fiecare 50 de ore de utilizare îndepărtând șurubul de etanșeizare de pe latura carcasei.

Dacă pe laturile angrenajului nu se vede unsoare, urmați pașii de mai jos pentru a umple cu unsoare de angrenaj 3/4 din capacitate.

Nu umpleți complet cutia angrenajelor de transmisie.

1. Poziționați lopata vertical, astfel încât șurubul de etanșeizare să fie îndreptat în sus (Fig. G).

G-1	Cutie angrenaj
G-2	Șurub de etanșeizare

2. Utilizați cheia multifuncțională furnizată pentru a desface și a îndepărta șurubul de etanșeizare.
3. Utilizați o seringă (neinclusă) pentru a injecta o cantitate de unsoare în orificiul șurubului; nu depășiți 3/4 din capacitate.
4. După injecție, strângeți șurubul de etanșeizare.

TRANSPORTAREA ȘI DEPOZITAREA

- Scoateți acumulatorul din sculă.
- Curățați aparatul bine înainte de a-l depozita.

Depozitați scula într-un loc uscat, bine ventilat, închis cu cheia sau la înălțime, inaccesibil copiilor. Nu depozitați produsul peste sau lângă îngrașăminte, benzină sau alte substanțe chimice.

Protejarea mediului înconjurător



Nu eliminați aparatele electrocasnice ca deșeu municipal nesortat, utilizați centrele de colectare separată. Contactați autoritățile locale pentru informații privind sistemele disponibile de colectare.

Dacă aparatele electrocasnice sunt eliminate la groapa de gunoi sau la haldă, se pot scurge substanțe periculoase în pânza freatică și acestea pot intra în lanțul trofic, afectându-vă sănătatea și bunăstarea.

DEPANAREA

PROBLEMĂ	CAUZĂ	SOLUȚIE
Lopata de zăpadă nu reușește să pornească.	<ul style="list-style-type: none"> ■ Set de acumulatori descărcat ■ Butonul de blocare sau comutatorul de declanșare nu au fost utilizate corect. ■ Bateria nu este complet introdusă în carcasă. 	<ul style="list-style-type: none"> ■ Încărcați setul de acumulatori. ■ Respectați instrucțiunile din paragraful „PORNIREA / OPRIREA CAPULUI DE ALIMENTARE” din manualul pentru PH1400E. ■ Asigurați-vă că bateria este complet introdusă în carcasă.
Mașina este avariată în mod evident.	<ul style="list-style-type: none"> ■ Avarie anormală survenită în timpul transportării sau utilizării. 	<ul style="list-style-type: none"> ■ Nu continuați să îl utilizați, trimiteți-l la centrul de reparații desemnat pentru reparații.
Lopata de zăpadă lasă un strat subțire.	<ul style="list-style-type: none"> ■ Bara de răzuire este uzată. 	<ul style="list-style-type: none"> ■ Înlocuiți bara de răzuire.
Oprire neașteptată la locul de muncă	<ul style="list-style-type: none"> ■ Mașină suprasolicitată ■ Acumulatorul sau mașina sunt supraîncălzite. 	<ul style="list-style-type: none"> ■ Reduceți intensitatea încălzirii mașinii. ■ Răciți setul de acumulatori sau scula înainte de a lucra.

GARANȚIE

POLITICA PRIVIND GARANȚIA EGO

Vă rugăm să consultați site-ul egopowerplus.com pentru termenii și condițiile complete ale politicii privind garanția EGO.

RO

PREBERITE VSA NAVODILA



PREBERITE UPORABNIŠKI PRIROČNIK.

Pred upravljanjem te enote preberite, usvojite in upoštevajte navodila na stroju in v priročniku(-ih). Temeljito se seznanite s krmilniki in pravilno uporabo stroja. Naučite se hitro ustaviti enoto in sprostiti krmilnike.

⚠ Tveganje zaradi preostalega toka! Pred uporabo izdelka se morajo osebe z elektronskimi napravami, kot je srčni spodbujevalnik, posvetovati s svojim zdravnikom. Delovanje električne opreme v bližini srčnega spodbujevalnika lahko povzroči motnje ali okvaro srčnega spodbujevalnika.

⚠ OPOZORILO: Za zagotovitev varnosti in zanesljivosti mora vsa popravila in zamenjave izvesti usposobljen servisni tehnik.

VARNOSTNI SIMBOLI

Namen varnostnih simbolov je, da vas opozorijo na morebitne nevarnosti. Bodite pozorni na varnostne simbole in njihova pojasnila ter jih poskušajte razumeti. Opozorilni simboli sami ne odpravljajo nobene nevarnosti. Navodila in opozorila niso nadomestilo za ustrezne ukrepe za preprečevanje nesreč.

⚠ OPOZORILO: Pred uporabo tega orodja preberite in razumite vsa varnostna navodila v tem priročniku, vključno z vsemi varnostnimi opozorilnimi simboli, kot so »NEVARNOST«, »OPOZORILO« in »POZOR«. Zaradi neupoštevanja spodaj navedenih navodil lahko pride do električnega udara, požara in/ali resnih telesnih poškodb.

POMEN SIMBOLA

SIMBOL VARNOSTNEGA OPOZORILO: Označuje **NEVARNOST**, **OPOZORILO ALI PREVIDNOST** in se lahko uporablja skupaj z drugimi simboli ali piktogrami.



⚠ OPOZORILO: Delovanje katerega koli električnega orodja lahko povzroči metanje tujkov v vaše oči, kar lahko povzroči resne poškodbe očesa. Pred začetkom dela z električnim orodjem vedno nosite zaščitna očala ali varnostna očala s stranskimi zaščitami in po potrebi tudi ščit za celoten obraz. Priporočamo vam uporabo varnostne maske Wide Vision Safety Mask za uporabo preko očal ali standardnih varnostnih očal s stransko zaščito.

SL

VARNOSTNA NAVODILA

Na tej strani so prikazani in opisani varnostni simboli, ki se lahko pojavijo na tem izdelku. Preberite in osvojite navodila na napravi ter jih upoštevajte, preden se lotite sestavljanja in upravljanja stroja.



Varnostni ukrepi, ki se nanašajo na vašo varnost



Pri upravljanju tega izdelka vedno nosite zaščitna očala ali varnostna očala s stransko zaščito in ščitnik za obraz.



Z nogami se ne približuje vrtečemu se rotorju.



Ta izdelek je skladen z veljavnimi direktivami ES.



Za zmanjšanje nevarnosti poškodb je pomembno, da uporabnik pred uporabo tega izdelka prebere priročnik z navodili za uporabo.



Če želite odmašiti žleb, ne uporabljajte rok.



Naprave ne uporabljajte v dežju ali je puščajte zunaj, ko dežuje.



Ta izdelek je skladen z veljavno zakonodajo VB.



Odpadnih električnih izdelkov ne odlagajte med gospodinjne odpadke. Odnesite jih v pooblaščen obrat za recikliranje.

V Napetost

cm Centimeter

Enosmerni tok

IPX4 4. stopnja zaščite pred vdorom vode

mm Milimeter

kg Kilogram

SPLOŠNA VARNOSTNA OPOZORILA ZA ELEKTRIČNA ORODJA

⚠ OPOZORILO! Preberite vsa varnostna opozorila, navodila, slike in tehnične podatke, ki so priloženi temu električnemu orodju. Zaradi neupoštevanja spodaj navedenih navodil lahko pride do električnega udara, požara in/ali hudih telesnih poškodb.

VSA OPOZORILA IN NAVODILA SHRANITE ZA KASNEJŠO UPORABO.

Izraz »električno orodje« v opozorilih se nanaša na orodja, ki jih poganja električni tok (žična), ali na baterijska (brezžična) orodja.

VARNOST DELOVNEGA OBMOČJA

- **Delovno območje naj bo čisto in dobro osvetljeno.** Na neurejenih ali temnih območjih se hitro zgodijo nesreče.
- **Električnega orodja ne upravljajte v eksplozivnih okoljih, na primer ob prisotnosti vnetljivih tekočin, plinov ali prahu.** Električno orodje ustvarja iskre, ki lahko povzročijo vžig prahu ali hlapov.
- **Med uporabo električnega orodja v bližino ne pustite otrok in drugih ljudi.** Zaradi motenj lahko izgubite nadzor.

OSEBNA VARNOST

- **Med uporabo električnega orodja bodite pozorni, spremljajte potek dela in uporabljajte zdrav razum.** Električnega orodja ne uporabljajte, kadar ste utrujeni ali pod vplivom drog, alkohola ali zdravil. Trenutek nepazljivosti med uporabo električnega orodja lahko povzroči hude telesne poškodbe.
- **Uporabljajte osebno varovalno opremo. Vedno nosite zaščito za oči.** Če v določenih okoliščinah nosite ustrezno zaščitno opremo, kot so maska proti prahu, zaščitna obutev z neдрsečim podplatom, trdno pokrivalo glave in zaščita za sluh, zmanjšate možnost telesnih poškodb.
- **Preprečite neželen zagon.** Pred priklopom na vir

napajanja in/ali priklopom baterijskega sklopa ter pred dvigovanjem ali nošenjem orodja se prepričajte, da je stikalo v položaju za izklop. Prenašanje električnih orodij s prstom na stikalu ali napajanje električnih orodij, pri katerih je stikalo v položaju za vklop, povzroči tveganje za nesreče.

- **Pred vklopom električnega orodja odstranite morebitne nastavitvene ključe ali viličaste ključe.** Viličasti ali drug ključ, ki je pritrjen na vrtljivi del električnega orodja, lahko povzroči telesne poškodbe.
- **Ne stegujte se preveč. Pazite, da ves čas stojite stabilno in ohranjate ravnotežje.** To omogoča boljši nadzor nad električnim orodjem v nepričakovanih situacijah.
- **Bodite primerno oblečeni. Ne nosite ohlapnih oblačil ali nakita. Pazite, da lasje, oblačila in rokavice ne pridejo v bližino gibljivih delov.** Ohlapna oblačila, nakit ali dolgi lasje se lahko zapletejo v gibljive dele.
- **Če imate na voljo naprave za sesanje in zbiranje prahu, preverite, ali so priključene in ali se ustrezno uporabljajo.** Uporaba naprav za odstranjevanje prahu lahko zmanjša nevarnosti, povezane s prahom.
- **Čeprav dobro poznate orodje zaradi pogoste uporabe, ne postanite ravnodušni in ne prezirajte varnostnih načel orodja.** Nepazljivost pri uporabi lahko povzroči hude telesne poškodbe v delcu sekunde.

UPORABA IN NEGA ELEKTRIČNEGA ORODJA

- **Električnega orodja ne preobremenjujte.** Uporabite električno orodje, ki je primerno za vaše delo. Ustrezno električno orodje bo nalogo opravilo bolje in varneje pri zmogljivosti, za katero je bilo zasnovano.
- **Ne uporabljajte električnega orodja, če ga ni mogoče vklopiti in izklopiti s stikalom.** Kakršno koli električno orodje, ki ga ni mogoče nadzirati s stikalom, je nevarno in ga je potrebno popraviti.
- **Pred odstranjevanjem zagodenega materiala, kakršnim koli nastavljanjem, zamenjavo dodatkov, čiščenjem ali shranjevanjem električnih orodij**

SL

odstranite baterijski sklop, če ga je mogoče odstraniti, iz električnega orodja in/ali aktivirajte morebitno napravo za onemogočanje baterije.

Tovrstni preventivni varnostni ukrepi zmanjšujejo tveganje nenamernega zagona električnega orodja.

- **Električna orodja, ki niso v uporabi, shranjujte izven dosega otrok in ne dovolite, da bi električno orodje uporabljale osebe, ki niso seznanjene z električnim orodjem ali s temi navodili.** Električno orodje je v rokah neusposobljenih uporabnikov nevarno.
- **Električna orodja in dodatke vzdržujte.** Preverite morebitno neoparavnost ali povezavo premikajočih se delov, zlome delov ali morebitno drugačno stanje, ki bi lahko vplivalo na delovanje električnega orodja. Če je električno orodje poškodovano, ga pred ponovno uporabo nesite na popravilo. Mnogo nesreč se pripeti zaradi slabo vzdrževanih električnih orodij.
- **Rezalna orodja naj bodo vedno nabrušena in čista.** Pravilno vzdrževana rezalna orodja z ostrimi rezili se težje zaskočijo in jih je lažje nadzirati.
- **Električno orodje, dodatke, dele orodja itd. uporabljajte v skladu s temi navodili, pri tem pa upoštevajte delovne pogoje in delo, ki ga boste opravljali.** Če boste električno orodje uporabljali za neustrezne namene, lahko pride do nevarnih situacij.
- **Ročaji in prijemalna površina naj bodo suhi, čisti ter brez madežev olja in masti.** Drseči ročaji in prijemalne površine ne omogočajo varnega ravnanja in nadzorovanja orodja v nepričakovanih situacijah.
- **Kabli ne smejo biti na delovnem območju orodja.** Kablov morda med delom ne boste opazili, zato jih lahko nehote poškodujete z orodjem.

UPORABA IN VZDRŽEVANJE BATERIJSKEGA ORODJA

- **Baterijo polnite le s polnilnikom, ki ga določa proizvajalec.** Polnilnik, ki je primeren za eno vrsto akumulatorskih baterij, morda lahko povzroči nevarnost požara, če z njim polnite drugo vrsto akumulatorske baterije.
- **Akumulatorska orodja uporabljajte samo s predpisano vrsto akumulatorskih baterij.** Uporaba katerih koli drugih baterijskih sklopov lahko povzroči tveganje poškodb in požara.
- **Ko baterijski sklop ni v uporabi, ga hranite ločeno od drugih kovinskih predmetov, kot so sponke za papir, kovanci, ključji, žebliji, vijaki ali drugi majhni kovinski predmeti, ki lahko povzročijo stik med enim in drugim kontaktom.** Kratek stik zaradi povezanih kontaktov baterije lahko povzroči opekline ali požar.

- **Ob zlorabi baterije lahko iz nje brizgne tekočina, stik s katero preprečite.** Če se nehote dotaknete tekočine, mesto stika sperite z vodo. Če pride tekočina v stik z očmi, poleg tega poiščite zdravstveno pomoč. Tekočina, ki brizgne iz baterije, lahko povzroči draženje ali opekline.
- **Akumulatorske baterije ali orodja, ki je poškodovano ali spremenjeno, ne uporabljajte.** Poškodovane ali spremenjene baterije lahko nepredvidljivo delujejo, zaradi česar lahko pride do požara, eksplozije ali nevarnosti telesnih poškodb.
- **Akumulatorske baterije ali orodja ne izpostavljajte ognju ali previsokim temperaturam.** Izpostavljenost ognju ali temperaturam nad 100°C lahko povzroči eksplozijo.
- **Upoštevajte vsa navodila za polnjenje in akumulatorske baterije ali orodja ne polnite izven temperaturnega razpona, navedenega v navodilih.** Zaradi nepravilnega polnjenja ali temperature zunaj navedenega razpona lahko pride do poškodb baterije in povečanega tveganja za požar.

SERVIS

- **Električno orodje naj servisira usposobljeno servisno osebe, ki uporablja le enake nadomestne dele.** To bo zagotovilo ohranjanje varnosti električnega orodja.
- **Nikoli ne popravljajte poškodovanih akumulatorskih baterij.** Akumulatorske baterije lahko popravi le proizvajalec ali pooblaščen izvajalec servisiranja.

⚠ OPOZORILO! Preberite vsa varnostna opozorila, navodila, slike in tehnične podatke, ki so priloženi temu električnemu orodju. Zaradi neupoštevanja spodaj navedenih navodil lahko pride do električnega udara, požara in/ali hudih telesnih poškodb. Vsa opozorila in navodila shranite za kasnejšo uporabo.

Vsa opozorila in navodila shranite za kasnejšo uporabo.

USPOSABLJANJE

- **Pred upravljanjem tega orodja preberite, osvojite in upoštevajte navodila na stroju in v priročniku(-ih).** Temeljito se seznanite s krmilniki in pravilno uporabo opreme. Naučite se hitro ustaviti orodje in sprostiti krmilnike.
- **Otrokom nikoli ne dovolite upravljati opreme.** Odrasle osebe ne smejo upravljati opreme brez ustreznih navodil.
- **Na območju delovanja ne sme biti nobenih oseb, zlasti majhnih otrok.**

- Pazite, da vam ne zdrsne oz. da ne padete, zlasti pri upravljanju snežne lopate med vzratnim premikanjem.

PRIPRAVA

- Če so v bližini ljudje, še posebej otroci ali domače živali, stroja nikoli ne uporabljajte.
- Nosite zaščito za oči in robustne čevlje ves čas upravljanja stroja.
- Razdalja med strojem in drugimi prisotnimi ljudmi mora biti najmanj 15 m.
- Stroja ni nikoli dovoljeno upravljati, če je upravljevec utrujen, bolan oziroma pod vplivom alkohola ali drugih drog.
- Površino, na kateri boste uporabljali opremo, temeljito pregledite in odstranite vse predpražnike, sani, deske, žice in druge tujke.
- Opreme ne uporabljajte, ne da bi nosili ustrezna zimska oblačila. Ne nosite ohlapnih oblačil, ki bi se lahko zagozdila v premične dele. Nosite obutev, ki bo izboljšala vaše ravnotežje na spolzkih površinah.
- Med upravljanjem ali prilagajanjem oz. popravljanjem vedno nosite varnostna očala ali zaščitna očala, da oči zaščitite pred tujki, ki bi jih lahko stroj izvrgel.
- Kableske podaljške in vtičnice uporabljajte v skladu z navedbami proizvajalca za vse enote z motorji z električnim zaganjalnikom.
- Med delovanjem motorja nikoli ne poskušajte izvajati nobenih nastavitvev (razen če tega izrecno ne priporoča proizvajalec).

UPRAVLJANJE

- Rok ali stopal ne postavljajte v bližino vrtečih se delov ali podnje. Nikoli se ne približujte izpusni odprtini.
- Med upravljanjem naprave na gramoznih poteh, sprehajalnih poteh ali cestah ali pri prečkanju tovrstnih območij bodite izjemno pazljivi. Bodite pozorni na skrite nevarnosti ali promet.
- Če udarite ob tujek, ustavite motor, odstranite baterijski(-e) sklop(-e), temeljito pregledite priključek snežne lopate glede morebitnih poškodb in poškodovane dele popravite pred ponovnim zagonom in upravljanjem priključka snežne lopate.
- Če začne enota nenormalno vibrirati, ustavite motor in takoj poskušajte ugotoviti vzrok. Vibracije običajno opozarjajo na težave.
- Kadar koli zapustite upravljalni položaj, ustavite motor, preden odpravite blokado v ohišju polžastega sklopa ter pri izvajanju kakršnih koli popravil, prilagoditev ali pregledov.

- Pri upravljanju na pobočjih bodite izjemno previdni.
- Priključka snežne lopate nikoli ne upravljajte brez nameščenih in delujočih ustreznih varoval in drugih varnostnih naprav.
- Izpusta nikoli ne usmerite v ljudi ali na območja, na katerih lahko pride do materialne škode. Poskrbite, da se otroci in drugi ljudje ne približujejo stroju.
- Pazite, da ne preobremenite zmogljivosti stroja s prehitrim čiščenjem snega.
- Nikoli ne upravljajte priključka snežne lopate pri visokih hitrostih prevoza na spolzkih površinah. Opazujte območje za seboj in bodite previdni pri upravljanju stroja med vzratnim premikanjem.
- Uporabljajte samo priključke in dodatke, ki jih je odobril proizvajalec priključka snežne lopate (kot je na primer strgalna letev).
- Nikoli ne uporabljajte priključka snežne lopate brez dobre vidljivosti ali svetlobe. Vedno ohranjajte ravnotežje in trdno držite ročaja. Hodite, nikoli ne tecite.
- Akumulatorske baterije ali orodja ne izpostavljajte ognju ali previsokim temperaturam. Izpostavljenost ognju ali temperaturam nad 100°C lahko povzroči eksplozijo.
- Napravo uporabljajte le z baterijskimi sklopi in polnilniki, navedenimi na sl. B

ČIŠČENJE ZAMAŠENEGA POLŽASTEGA SKLOPA

Ročni stik z vrtljivim polžastim sklopom je najpogostejši vzrok poškodb, povezanih s priključkom snežne lopate. Vrtljivega polžastega sklopa nikoli ne čistite z roko.

Če želite počistiti polžast sklop:

- ZAUSTAVITE ORODJE.
- Baterijski sklop odstranite iz orodja.
- Počakajte 10 sekund, da se prepričate, da se je polž nehal vrteti.
- Vedno uporabljajte orodje za čiščenje polža, ki je pritrjeno na stroj kot datek, in ne uporabljajte rok.

VZDRŽEVANJE IN SHRANJEVANJE

- Pogosto preverjajte, ali so vsi somiki ali vezni elementi dobro pritrjeni, in se tako prepričajte, da je stanje opreme primerno za varno delo.
- Za pomembne podrobnosti vedno preberite priročnik za uporabo, če morate snežno lopato shraniti za dalj časa.
- Vzdržujte ali, če je potrebno, zamenjajte varnostne nalepke in nalepke z navodili.
- Naprava naj deluje nekaj minut, da preprečite zamrznitev sklopa polža.

NAVODILA SHRANITE. Pogosto jih preberite in jih

uporabite za poučevanje drugih, ki uporabljajo to orodje. Če to orodje komu posodite, posodite tudi ta navodila, da tako za preprečite nepravilno uporabo izdelka in možnost poškodb.

TEHNIČNI PODATKI

Nazivna napetost	56 V	
Hitrost brez obremenitve	1420 ±10 % vrt./min. 1750 ±10 % vrt./min.	
Širina čiščenja	30 cm	
Razdalja izmeta	Do 7,5 m	
Višina vnosa	15 cm	
Priporočena obratovalna temperatura	-10-10°C	
Priporočena temperatura za shranjevanje *Za napravo BREZ baterijskega sklopa	-20-70°C	
Teža	5,2 kg	
Izmerjena raven zvočne moči L_{WA}	98 dB(A) K=2,3 dB(A)	
Raven zvočnega tlaka v ušesu upravljavca L_{PA}	90 dB(A) K=2,5 dB(A)	
Zajamčena raven zvočnega tlaka L_{WA} (izmerjeno v skladu z Direktivo 2000/14/ES)	100 dB(A)	
Vrednotenje oddajanja vibracij a_{Hv} :	Sprednji ročaj za prijem	4,4 m/s ² K=1,5 m/s ²
	Zadnji ročaj	3,9 m/s ² K=1,5 m/s ²

- Zgornji parametri so preskušeni in izmerjeni z nameščeno pogonsko enoto PH1400E.
- Nazivna skupna vrednost tresljajev je bila izmerjena v skladu s standardno preskusno metodo in jo je mogoče uporabiti za primerjavo enega orodja z drugim.
- Nazivno skupno vrednost tresljajev je mogoče uporabiti tudi za predhodno oceno izpostavljenosti.

OPOMBA: oddajanje tresljajev med dejansko uporabo električnega orodja se lahko razlikuje od nazivne vrednosti, v kateri se uporablja orodje. Upravljalvec se lahko zaščiti tako, da uporablja rokavice in slušnike, primerne dejanskim pogojem uporabe.

VSEBINA PAKETA (SL. A)

OPIS

SPOZNAJTE PRIKLJUČEK SNEŽNE LOPATE (sl. A)

1. Gumb za nastavitev deflektorja
2. Gred
3. Tesnilni vijak
4. Pokrov
5. Deflektor
6. Strgalna letev
7. Polž
8. Gred polža
9. Imbusni ključ
10. Pokrovček

SESTAVLJANJE

⚠ OPOZORILO: Če so deli poškodovani ali manjkajo, orodja ne uporabljajte, dokler ne zamenjate delov. Če ta izdelek uporabljate s poškodovanimi ali manjkajočimi deli, lahko pride do hudih telesnih poškodb.

⚠ OPOZORILO: Tega izdelka ne spreminjajte in ne izdelujte dodatkov, ki niso priporočeni za uporabo s tem izdelkom. Vsako tako spreminjanje ali predelava se šteje za napačno uporabo in povzroči tveganja, ki lahko povzročijo hude telesne poškodbe.

ODSTRANJEVANJE EMBALAŽE

- Pazljivo preglejte orodje in se prepričajte, da med pošiljanjem ni prišlo do zloma ali poškodb.
- Ne odvrzite embalažnega materiala, dokler orodja temeljito ne pregledate in ga ne začnete uporabljati zadovoljivo.

NAMESTITEV PRIKLJUČKA SNEŽNE LOPATE NA POGONSKO ENOTO

Ta priključek snežne lopate je zasnovan za uporabo s pogonsko enoto EGO PH1400E.

Glejte razdelek »**NAMEŠČANJE PRIKLJUČKA NA POGONSKO ENOTO**« v uporabniškem priročniku pogonske enote PH1400E.

ODSTRANJEVANJE PRIKLJUČKA S POGONSKE ENOTE

Glejte razdelek »**ODSTRANITEV PRIKLJUČKA S POGONSKE ENOTE**« v uporabniškem priročniku pogonske enote PH1400E.

UPRAVLJANJE

⚠ OPOZORILO: Tudi če se dodobra seznanite s tem izdelkom, bodite pri ravnanju z njim pazljivi. Upoštevajte, da je samo delček sekunde nepazljivosti dovolj, da pride do hude telesne poškodbe.

⚠ OPOZORILO: Pri upravljanju tega izdelka vedno nosite zaščitna očala ali varnostna očala s stransko zaščito in ščitnik za obraz. V nasprotnem primeru vam lahko v oči priletijo predmeti ali pride do drugih hudih telesnih poškodb.

NAMENI UPORABE

Ta izdelek lahko uporabljate za naslednje namene:

- Čiščenje majhnih površin in preprosti delovni pogoji, kot so dvorišča, steze in garaže.

UPORABA PRIKLJUČKA SNEŽNE LOPATE S POGONSKO ENOTO

⚠ OPOZORILO: nikoli ne uporabljajte priključka snežne lopate na zamrznjenih jezerih, rekah ali podobnih površinah. Če se led zlomi, lahko pride do resnih telesnih poškodb ali smrti.

⚠ OPOZORILO: priključka snežne lopate nikoli ne uporabljajte na strehi ali drugi nestabilni površini, saj lahko pride do resne telesne poškodbe ali smrti.

⚠ OPOZORILO: priključka snežne lopate ne uporabljajte na ledu, saj vam lahko zdrsne in padete, posledično pa lahko pride do resnih telesnih poškodb.

⚠ OPOZORILO: ne nosite ohlapnih oblačil, šalov ali nakita. Lahko bi se zataknili v premične dele in povzročili resno telesno poškodbo ali smrt.

⚠ OPOZORILO: Nikoli ne usmerite priključka snežne lopate proti ljudem ali hišnim ljubljencem. Izmetan sneg ali drugi predmeti lahko povzročijo resno telesno poškodbo.

⚠ OPOZORILO: prepričajte se, da na območju ni kamnov, palic, žic, gramoza in drugih predmetov, ki bi jih priključek snežne lopate lahko po nesreči izmetal v kateri koli smeri in povzročil resne telesne poškodbe upravljavca in drugih oseb.

Pri uporabi priključka snežne lopate trdno držite orodje med uporabo z obema rokama (sl. C).

- Pred začetkom upoštevajte smer vetra. Če je mogoče, izmetavajte sneg v smeri vetra, da preprečite izmetavanje snega v svoj obraz.
- Nekateri deli priključka snežne lopate lahko v ekstremnih vremenskih razmerah zamrznejo. Orodja z zamrznjenimi deli ne poskušajte upravljati.
- Če orodje med delovanjem trči v katero koli vrsto ovire,

ga ustavite in odstranite baterijski sklop. Pred uporabo natančno preverite orodje.

- Če je snega preveč in je globlji od globine čiščenja, boste morali med čiščenjem morda narediti več kot le en prehod.

Ko končate, pustite, da orodje nekaj minut deluje, da s polža odpade ves sneg, preden ga shranite.

ZAGON/ZAUSTAVITEV ORODJA

Glejte razdelek »ZAGON/ZAUSTAVITEV POGONSKE ENOTE« v uporabniškem priročniku pogonske enote PH1400E.

GUMB ZA NASTAVITEV DEFLEKTORJA (sl. D)

Smer praznjenja tega priključka snežne lopate se lahko spremeni z vrtenjem gumba za nastavitev deflektorja levo, naprej ali desno.

Največji nastavitveni razpon gumba je 60° (30° v levo ali desno).

Gumb bo zaklenjen v skrajnem levem ali desnem položaju. Pritisnite gumb in ga zavrtite v obratni smeri, da ga odklenete.

D-1	Indikator zaklepanja
D-2	Gumb za nastavitev deflektorja

VZDRŽEVANJE

SPLOŠNO VZDRŽEVANJE

Pri čiščenju plastičnih delov ne uporabljajte topil. Večina vrst plastike se lahko pri uporabi različnih komercialnih topil poškoduje. Umazanijo, prah, olje, maščobe itd. odstranite s čisto krpo.

⚠ OPOZORILO: Pri čiščenju priključka snežne lopate ga NE potopite v vodo ali druge tekočine.

MONTAŽA IN ODSTRANITEV STRGALNE LETEVE

1. Odstranite baterijski sklop iz pogonske enote.
2. Položite priključek snežne lopate na stran ali v kateri koli drug položaj, primeren za servisiranje strgalne letve.
3. Odstranite štiri vijake na sprednji strani strgalne letve ter dva vijaka na obeh koncih. Uporabite izvijač (ni priključen), da jih odvijete (sl. E in F).

E-1	Strgalna letev
-----	----------------

4. Obrabljeno strgalno letev po potrebi zamenjajte z novo.
5. Za ponovno sestavo vstavite novo strgalno letev s

SL

poravnanimi šestimi luknjami, vstavite šest vijakov v luknje in jih pritrdite z izvijačem (niso priloženi).

MAZANJE ZOBNIKOV

Zobnike v ohišju je treba redno mazati z mazivom za zobnike. Približno vsakih 50 ur delovanja preverite raven maziva tako, da odstranite tesnilni vijak ob strani ohišja.

Če pri strani zobnikov ne vidite maziva, sledite spodnjim korakom in ohišje napolnite z mazivom do 3/4 prostornine.

Ohišja zobnikov ne napolnite povsem.

1. Pritrditev postavite pokonci, da je tesnilni vijak obrnjen navzgor (sl. G).

G-1	Ohišje zobnikov
G-2	Tesnilni vijak

2. S priloženim večnamenskim ključem odvijte tesnilni vijak in ga odstranite.
3. Z brizgalko za mazivo (ni priložena) vbrizgajte nekaj maziva v luknjo vijaka. Ne napolnite več kot 3/4 prostornine.
4. Po vbrizganju privijte tesnilni vijak.

PREVOZ IN SHRANJEVANJE

- Baterijski sklop odstranite iz orodja.
- Orodje pred shranjevanjem temeljito očistite.

Orodje shranjujte v suhem in dobro zračenem prostoru, ki ga je mogoče zakleniti ali je dvignjen, da je izven dosega otrok. Orodja ne shranjujte na ali v bližini gnojil, bencina ali drugih kemikalij.

SL

Varovanje okolja



Električnih naprav ne odlagajte med mešane gospodinske odpadke, ampak jih oddajte na ustrezno zbirno mesto za odlaganje odpadkov. Za informacije o razpoložljivih sistemih za zbiranje se obrnite na lokalno upravo.

Če električne naprave odvržete na smetišča, lahko nevarne snovi pronikajo v podtalnico in tako pridejo v prehranjevalno verigo, s čimer ogrozijo vaše zdravje in dobro počutje.

ODPRAVLJANJE TEŽAV

TEŽAVA	VZROK	REŠITEV
Snežna lopata se ne zažene.	<ul style="list-style-type: none"> ■ Baterijski sklop se je izpraznil. ■ Gumb za zaklepanje ali sprožilno stikalo ni bilo pravilno uporabljeno. ■ Baterija ni popolnoma vstavljena v ohišje. 	<ul style="list-style-type: none"> ■ Napolnite baterijo. ■ Glejte razdelek »ZAGON/ZAUSTAVITEV POGONSKE ENOTE« v uporabniškem priročniku pogonske enote PH1400E. ■ Preverite, ali je baterija v celoti vstavljena v ohišje.
Stroj je očitno poškodovan.	<ul style="list-style-type: none"> ■ Nenormalna poškodba med prevozom ali uporabo. 	<ul style="list-style-type: none"> ■ Prenehajte z uporabo in jo pošljite v določen center za popravilo.
Snežna lopata pušča tanko plast.	<ul style="list-style-type: none"> ■ Strgalna letev je obrabljena. 	<ul style="list-style-type: none"> ■ Zamenjajte strgalno letev.
Nepričakovana zaustavitev med delom.	<ul style="list-style-type: none"> ■ Preobremenjen stroj ■ Baterijski sklop ali stroj je pregret. 	<ul style="list-style-type: none"> ■ Zmanjšajte intenzivnost obremenitve stroja. ■ Pred delom ohladite baterijski sklop ali orodje.

GARANCIJA

GARANCIJSKA POLITIKA DRUŽBE EGO

Za popolne pogoje garancijske politike družbe EGO obiščite spletno mesto egopowerplus.com.

SL

PERSKAITYKITE VISĄ INSTRUKCIJĄ



SKAITYTI NAUDOTOJO INSTRUKCIJĄ

Prieš naudodami šį įrenginį, perskaitykite visus ant jo ir instrukcijoje pateiktus nurodymus, įsitikinkite, kad juos supratote, ir jais vadovaukitės. Nuodugniai susipažinkite su valdikliais ir nurodymais, kaip tinkamai naudoti mašiną. Išmokite įrenginį sustabdyti ir greitai atjungti valdiklius.

⚠ Liekamasis pavojus! Žmonėms, kuriems implantuoti elektroniniai prietaisai, pvz., širdies stimulatoriai, prieš pradėdami naudoti šį gaminį, reikia pasitarti su savo gydytoju (-ais). Arti širdies stimulatoriaus veikianti elektros įranga gali trikdyti širdies stimulatoriaus veikimą arba jį sugadinti.

⚠ ĮSPĖJIMAS. Norint užtikrinti saugų ir patikimą gaminio naudojimą, visus remonto ir keitimo darbus turi atlikti kvalifikuotas techninės priežiūros specialistas.

SAUGOS SIMBOLIAI

Saugos simbolių paskirtis – atkreipti dėmesį į galimus pavojus. Gerai susipažinkite su saugos simboliais bei jų paaiškinimais ir juos įsidėmėkite. Simbolių įspėjimai patys savaime negali apsaugoti nuo pavojų. Jais žymimi nurodymai ir įspėjimai neatstoja tinkamų nelaimingų atsitikimų prevencijos priemonių.

⚠ ĮSPĖJIMAS: Prieš pradėdami naudoti šį įrenginį, perskaitykite visus šioje naudojimo instrukcijoje pateiktus saugos nurodymus, taip pat susipažinkite su visais saugos įspėjamaisiais simboliais, tokiais kaip „PAVOJUS“, „ĮSPĖJIMAS“ ir „DĖMESIO“, ir įsitikinkite, kad juos supratote. Nesilaikant visų toliau išdėstytų nurodymų galima patirti elektros smūgį, sukelti gaisrą ir (ar) sunkiai susižaloti.

SIMBOLIŲ REIKŠMĖ

SAUGOS ĮSPĖJAMASIS SIMBOLIS: Reiškia „PAVOJUS“, „ĮSPĖJIMAS“ ar „DĖMESIO“ ir gali būti panaudotas su kitais simboliais arba piktogramomis.



⚠ ĮSPĖJIMAS: Bet koks elektrinis įrankis naudojimo metu gali išsviesti šiukšles, kurios gali pataikyti į akis ir sunkiai jas sužaloti. Prieš pradėdami naudoti elektrinį įrankį, visada užsidėkite apsauginius akinius arba apsauginius akinius su šonine apsauga ir, jei reikia, visą veidą dengiantį skydelį. Rekomenduojame naudoti platų matymo lauką užtikrinančią apsauginę kaukę, dedamą ant akių, arba standartinius apsauginius akinius su šonine apsauga.

LT

SAUGOS NURODYMAI

Šiame puslapyje pavaizduoti ir aprašyti saugos simboliai, kurie gali būti nurodyti ant šio gaminio. Prieš bandydami surinkti ir naudoti įrankį, perskaitykite visus ant jo pateiktus nurodymus, įsitikinkite, ar juos supratote, ir jais vadovaukitės.



Atsargumo priemonės, skirtos užtikrinti jūsų saugumą.



Kad sumažintų pavojų susižaloti, naudotojas turi perskaityti naudojimo instrukciją prieš naudodamas šį įrankį.



Naudodami šį gaminį, visada užsidėkite apsauginius akinius arba apsauginius akinius su šonine apsauga ir visą veidą dengiantį skydelį.



Nenaudokite rankų latakui atkimšti.



Nekiškite kojų prie besisukančios sparnuotės.



Nenaudoti lyjant ir nepalikti lauke per lietu.

CE Šis gaminys atitinka taikomas EB direktyvas.

UK CA Šis gaminys atitinka taikomas JK direktyvas.

Netinkamus naudoti elektrinius įrankius draudžiama išmesti kartu su buitiniemis atliekomis. Pristatyti įgaliotam perdurbėjui.

V Įtampa

cm Centimetrai

Nuolatinė srovė

IPX4 4 klasės apsauga nuo vandens įsiskverbimo.

mm Milimetrai

kg Kilogramai

BENDRIEJI ELEKTRINIO ĮRANKIO SAUGOS NURODYMAI

⚠ ĮSPĖJIMAS! Perskaitykite visus su šiuo elektriniu įrankiu pateiktus įspėjimus dėl saugos, instrukcijas, peržiūrėkite paveikslus ir specifikacijas. Nesilaikant visų toliau išdėstytų nurodymų galima patirti elektros smūgį, sukelti gaisrą ir (ar) sunkiai susižaloti.

ĮŠSAUGOKITE VISAS INSTRUKCIJAS SU ĮSPĖJIMAIS, NES JŪ GALI PRIREIKTI ATEITYJE.

Įspėjimuose vartojamu terminu „elektrinis įrankis“ nurodomas iš elektros lizdo maitinamas (laidinis) arba baterija maitinamas (belaidis) elektrinis įrankis.

SAUGA DARBO VIETOJE

- Darbo vieta turi būti švari ir gerai apšviesta. Jei darbo vieta netvarkinga ar blogai apšviesta, gali įvykti nelaimingas atsitikimas.
- Nedirbkite su elektriniu įrankiu sprogoje aplinkoje, pavyzdžiui, ten, kur yra degių skysčių, dujų arba dulkių. Elektriniai įrankiai gali kibirkščiuoti, o nuo kibirkščių gali užsidegti dulkės arba susikaupę garai.
- Dirbdami su elektriniu įrankiu, neleiskite artintis vaikams ir pašaliniams asmenims. Dėl dėmesio blaškymo galite nesuvaldyti įrankio.

ASMENINĖ SAUGA

- Dirbdami su elektriniu įrankiu būkite budrūs, stebėkite, ką darote, ir vadovaukitės sveika nuovoka. Nedirbkite su elektriniu įrankiu, jei esate pavargę arba vartojote narkotikus, alkoholį ar medikamentus. Dirbant su elektriniais įrankiais pakanka vienos neatidumo akimirkos ir galima sunkiai susižaloti.
- Naudokite asmeninės apsaugos priemones. Visada būkite su apsauginiais akiniais. Atitinkamomis sąlygomis naudojamos apsaugos priemonės, pvz.,

respiratorius, neslidūs apsauginiai batai, šalmas arba ausinės, sumažina pavojų susižaloti.

- **Apsisaugokite nuo atsitiktinio įrankio įsijungimo.** Prieš jungdami prie maitinimo šaltinio ir (ar) sudėtinės baterijos, prieš įrankį keldami arba nešdami įsitikinkite, kad jungiklis yra išjungimo padėtyje. Nešant elektrinius įrankius uždėjus pirštą ant jungiklio arba netyčia įjungiant elektrinį įrankį su įjungtu jungikliu, gali įvykti nelaimingas atsitikimas.
- Prieš jungdami elektrinį įrankį, patraukite į šalį visus reguliavimo raktus ir veržliarakčius. Elektrinio įrankio sukamojoje dalyje likus raktui ar veržliarakčiui galima susižaloti.
- Nesistenkite pasiekti pernelyg toli. Visada stovėkite tvirtai ir išlaikykite pusiausvyrą. Tuomet geriau suvaldysite elektrinį įrankį netikėtose situacijose.
- Dėvėkite tinkamus drabužius. Nedėvėkite laisvų drabužių ir nešiokite laisvai kabančių papuošalų. Saugokite plaukus, drabužius ir pirštines nuo sukamųjų prietaiso dalių. Laisvus drabužius, papuošalus ar ilgus plaukus gali įtraukti besisukančios dalys.
- Jei yra įtaisai, skirti dulkių išsiurbimo ir surinkimo įtaisams prijungti, tinkamai juos prijunkite ir naudokite. Naudojant dulkių filtravimo įtaisus galima sumažinti kenksmingą dulkių poveikį.
- Dažnai naudodami įrankius pernelyg savimi nepasitikėkite ir nepraraskite budrumo, kad paisytumėte saugaus įrankio naudojimo taisyklių. Užtenka akimirkos, kad dėl neatsargaus veiksmo sunkiai susižalotumėte.

ELEKTRINIŲ ĮRANKIŲ NAUDOJIMAS IR PRIEŽIŪRA

- Elektrinio įrankio pernelyg nespauskite. Naudokite jūsų darbai tinkamą elektrinį įrankį. Veikdamas numatytoju greičiu, tinkamas elektrinis įrankis darba atlieka veiksmingiau ir saugiau.

- **Nenaudokite elektrinio įrankio, jeigu jo negalima jungti ar išjungti jungikliu.** Bet koks elektrinis įrankis, kurio jungiklis neveikia, yra pavojingas, tad jį būtina sutaisyti.
- **Prieš šalindami įstrigusias šiukšles, reguliuodami, keisdami priedus, valydami arba padėdami į sandėlį elektrinį įrankį, išimkite iš jo sudėtinę bateriją, jei ji išimama, ir (ar) suaktyvinkite bet kokį baterijos atjungimo įtaisą.** Ši saugumo priemonė apsaugos jus nuo netyčinio elektrinio įrankio įjungimo.
- **Nenaudojamus elektrinius įrankius laikykite vaikams neprieinamoje vietoje.** Su elektriniu įrankiu neleiskite dirbti asmenims, nesuipažinusiems su įrankiu arba šia instrukcija. Neapmokytų naudotojų naudojami elektriniai įrankiai kelia pavojų.
- **Tinkamai prižiūrėkite elektrinius įrankius ir jų priedus.** Patikrinkite, ar sukamos jų dalys išcentruotos ir nestringa, ar nėra sulūžusių dalių ir kitų sąlygų, galinčių turėti įtakos elektrinio įrankio veikimui. Jei elektrinis įrankis sugedęs, prieš naudodami jį suremontuokite. Daugelio nelaimingų atsitikimų priežastis yra netinkama elektrinių įrankių priežiūra.
- **Pjovimo įrenginiai turi būti aštrūs ir švarūs.** Tinkamai prižiūrimi pjovimo įrankiai aštriais ašmenimis rečiau stringa ir lengviau valdomi.
- **Elektrinį įrankį, priedus, antgalius ir kitas dalis naudokite pagal šią instrukciją, atsižvelgdami į darbo sąlygas ir atliekamą darbą.** Naudojant elektrinius įrankius ne pagal paskirtį gali susidaryti pavojingos aplinkybės.
- **Įrankių rankenos ir sugriebimo paviršiai turi būti sausi, švarūs ir neištepti alyva ar tepalu.** Dėl slidžių rankenų ir sugriebimo paviršių įrankį sunku saugiai valdyti ir jis gali išsprūsti netikėtomis aplinkybėmis.
- **Pasirūpinkite, kad teritorijoje, kurioje dirbama šiuo įrankiu, nebūtų laidų.** Darbo metu laidų gali nesimatyti ir juos galima įrankiu atsitiktinai pažeisti.

AKUMULIATORINIŲ ĮRANKIŲ NAUDOJIMAS IR PRIEŽIŪRA

- **Kraukite naudodami tik gamintojo nurodytą įkroviklį.** Naudojant įkroviklį, skirtą kito tipo sudėtinei baterijai, gali kilti gaisro pavojus.
- **Elektrinius įrankius naudokite tik su jiems skirtomis sudėtinėmis baterijomis.** Naudojant kitokias sudėtines baterijas gali kilti sužalojimų ir gaisro pavojus.
- **Nenaudojama sudėtinė baterija turi būti laikoma atokiau nuo metalinių daiktų, tokių kaip sąvaržėlės, monetos, raktai, vynys, varžtai ar kiti smulkūs metaliniai daiktai, galintys sujungti abu baterijos**

gnybtus. Įvykus trumpajam jungimui tarp baterijos gnybtų galima nusideginti ar gali kilti gaisras.

- **Dėl netinkamų sąlygų iš baterijos gali ištekėti skystis – nelieskite jo.** Skystičiui atsitiktinai patekus ant odos, nedelsiant nuplaukite vandeniu. Jeigu skystis pateko į akis, kreipkitės ir į gydytojus. Iš baterijos ištekėjęs skystis gali dirginti arba nudeginti.
- **Nenaudokite pažeistos ar modifikuotos sudėtinės baterijos ar įrankio.** Tokios netinkamos sudėtinės baterijos gali kelti gaisro, sproginimo ar sužalojimo pavojų.
- **Sudėtinės baterijos ar įrankio negalima deginti ar kaitinti.** Bateriją deginant ar įkaitinus virš 100°C ji gali sprogti.
- **Laikykites įrankio ar sudėtinės baterijos įkrovimo instrukcijų ir įkrovimą vykdykite nurodytame temperatūrų diapazone.** Priešingu atveju galite sugadinti sudėtinę bateriją ar net sukelti gaisrą.

TECHNINĖ PRIEŽIŪRA

- **Jūsų elektrinio įrankio techninės priežiūros darbus gali vykdyti tik kvalifikuotas remonto meistras, naudodamas tik identiškas atsargines dalis.** Tokiu būdu elektrinis įrankis išliks saugus.
- **Niekada neremontuokite sugadintos sudėtinės baterijos.** Tokias baterijas remontuoti gali tik gamintojas arba įgalioto techninės priežiūros centro specialistai.

⚠ ĮSPĖJIMAS! Perskaitykite visus su šiuo elektriniu įrankiu pateiktus įspėjimus dėl saugos, instrukcijas, peržiūrėkite paveikslus ir specifikacijas. Nesilaikant visų toliau išdėstytų nurodymų galima patirti elektros smūgį, sukelti gaisrą ir (ar) sunkiai susižaloti. Pasilikite visas instrukcijas su įspėjimais, nes jų gali prireikti ateityje.

Išsaugokite visas instrukcijas su įspėjimais, nes jų gali prireikti ateityje.

APMOKYMAS

- **Prieš naudodami šį įrankį, perskaitykite visus ant jo ir instrukcijoje pateiktus nurodymus, įsitinkinkite, kad juos supratote, ir jais vadovaukitės.** Susipažinkite su valdikiiais ir nurodymais, kaip tinkamai įrenginį naudoti. Išmokite įrankį sustabdyti ir greitai atjungti valdikius.
- **Įrenginio niekada neleiskite naudoti vaikams.** Įrenginio niekada neleiskite naudoti tinkamai neapmokytiems suaugusiems.
- **Neleiskite į darbo zoną jokių žmonių, ypač mažų vaikų.**
- **Saugokitės, kad nepaslystumėte ir nenukristumėte, ypač tuomet, kai sniego kastuvas sava eiga juda atgal.**

PASIRUOŠIMAS

- Niekada nenaudokite įrenginio, kai netoliese yra žmonių, ypač vaikų, arba augintinių.
- Dirbdami su įrenginiu visą laiką dėvėkite akių apsaugą ir tvirtą avalynę.
- Visi pašaliniai asmenys turi būti atitraukę ne mažesniu kaip 15 m atstumu nuo įrenginio.
- Niekada nedirbkite su įrenginiu pavargę, kai sergate arba kai esate alkoholio ar vaistų poveikyje.
- Atidžiai apžiūrėkite paviršių, kuriame ketinate dirbti su įrenginiu, ir išneškite visus durų kilimėlius, rogutes, snieglentes, vielas ir kitus pašalinius daiktus.
- Dirbdami su įrenginiu apsirenkite tinkamais žieminiams drabužiais. Nesirenkite laisvais drabužiais, kuriuos gali įtraukti į sukamąsias dalis. Avėkite avalynę neslidžiais padais, kad tvirtiau stovėtumėte ant slidaus paviršiaus.
- Kad apsaugotumėte akis nuo įrenginio išsviestų šiukšlių, visada užsidėkite apsauginius akinius ar akių skydelius, kai su įrenginiu dirbate, jį reguliuojate arba remontuojate.
- Su visais įrenginiais, užvedamais elektros varikliais, naudokite gamintojo nurodytus pailginimo laidus ir elektros lizdus.
- Niekada nebandykite reguliuoti dirbančio variklio (išskyrus atvejus, kai tai daryti rekomenduoja gamintojas).

DARBAS

- Nekiškite rankų ir kojų arti besisukančių dalių arba po jomis. Visada laikykitės atokiau nuo išmetimo angos.
- Būkite itin atsargūs valydami ar kirsdami žvyru dengtus įvažiavimus, takus ar kelius. Būkite budrūs ir saugokitės paslėptų pavojų ar staiga išnirusių transporto priemonių.
- Užkliudę pašalinę kliūtį išjunkite variklį, ištraukite sudėtinę bateriją (-as) ir kruopščiai patikrinkite sniego kastuvą, ar jis nepažeistas; suremontuokite pažeidimą prieš vėl paleisdami kastuvą ir dirbdami su juo.
- Jei įrenginys pradeda neįprastai vibruoti, nedelsdami išjunkite variklį ir nustatykite priežastį. Vibracija paprastai įspėja apie problemą.
- Išjunkite variklį, kai tik paliekate darbinę padėtį, prieš valydami sraigto korpusą ir prieš įrenginį remontuodami, reguliuodami ar tikrindami.
- Būkite itin atsargūs dirbdami šlaituose.
- Niekada nedirbkite su sniego kastuvu, jeigu ant jo nėra sumontuotos tinkamos apsaugos arba kitos apsaugos priemonės arba jos neveikia.
- Išmetimo vamzdžio niekada nenukreipkite į žmones ar

turtą, kurį galite sugadinti. Neleiskite artintis vaikams ir kitiems žmonėms.

- Nebandykite valyti sniego pernelyg dideliu greičiu, nes galite perkrauti įrenginį.
- Dirbdami su sniego kastuvu niekada nevažiuokite dideliu greičiu ant slidžių paviršių. Traukdamiesi atbulomis žiūrėkite atgal ir būkite atidūs.
- Naudokite tik gamintojo patvirtintus sniego kastuvo priedus (pvz., grandyklę).
- Su sniego kastuvu niekada nedirbkite prasto matomumo ar apšvietimo sąlygomis. Visada tvirtai stovėkite ant žemės, išlaikydami pusiausvyrą, ir tvirtai laikykite rankenas. Eikite, niekada nebėkite.
- Sudėtinės baterijos ar įrankio negalima deginti ar kaitinti. Bateriją deginant ar įkaitinus virš 100°C ji gali sprogti.
- Naudokite su B pav. nurodytomis sudėtinėmis baterijomis ir įkrovikliams.

UŽKIMŠTO SRAIGTO VALYMAS

Rankos sužalojimas susilietus su besisukančiu sraigtu yra viena iš dažniausiai pasitaikančių traumų, susijusių su sniego kastuvu. Niekada nebandykite ranka valyti besisukančio sraigto.

Norėdami išvalyti sraigą:

- IŠJUNKITE ĮRANKĮ!
- Išimkite iš įrankio sudėtinę bateriją.
- Palaukite 10 sekundžių, kad sraigas tikrai sustotų sukis.
- Valykite ne ranka, o specialiu sraigto valymo įrankiu, kuris yra įrenginio komplekte.

TECHNINĖ PRIEŽIŪRA IR LAIKYMAS

- Reguliariai tikrinkite visus varžtus ir tvirtinimo detales, ar jos priveržtos ir ar su įrenginiu saugu dirbti.
- Padedant sniego kastuvą į sandėlį ilgiam laikui, žiūrėkite informaciją naudojimo instrukcijoje.
- Prireikus sutvarkykite arba pakeiskite saugos ir nurodymų lipdukus.
- Leiskite mašinai dar padirbti kelias minutes tuščiają eiga, kad neužšaltų sraigas.

IŠSAUGOKITE ŠIAS INSTRUKCIJAS. Dažnai ją paskaitykite ir panaudokite kitiems asmenims, kuriems patikėsite šį prietaisą, apmokyti. Jei šį įrenginį kam nors skolinate, taip pat perduokite šią instrukciją, kad kitas asmuo tinkamai naudotų šį gaminį ir nesusižalotų.

TECHNINIAI DUOMENYS

Vardinė įtampa	56 V	
Sūčiai be apkrovos	1420 ± 10% aps./min. 1750 ± 10% aps./min.	
Valomo tako plotis	30 cm	
Sviedimo atstumas	Iki 7,5 m	
Įtraukimo aukštis	15 cm	
Rekomenduojama darbinė temperatūra	Nuo -10 iki -10°C	
Rekomenduojama laikymo temperatūra *Nuadojant BE sudėtinės baterijos	Nuo -20 iki -70°C	
Svoris	5,2 kg	
Išmatuotas garso galios lygis L_{WA}	98 dB(A) K=2,3 dB(A)	
Garso slėgio lygis ties operatoriaus ausimi L_{PA}	90 dB(A) K=2,5 dB(A)	
Garantuojamas garso galios lygis L_{WA} (išmatuotas pagal 2000/14/EB)	100 dB(A)	
Vibracijos vertė a_{Hv} :	Priekinė pagalbinė rankena	4,4 m/s ² K=1,5 m/s ²
	Galinė rankena	3,9 m/s ² K=1,5 m/s ²

LT

- Pirmiau nurodyti parametrai išbandyti ir išmatuoti naudojant elektrinę galvutę PH1400E.
- Nurodyta bendroji vibracijos vertė išmatuota taikant standartinį bandymo metodą, todėl pagal ją galima palyginti skirtingus įrankius.
- Nurodytą bendrąją vibracijos vertę taip pat galima naudoti pirminiam poveikio vertinimui.

PASTABA: Naudojant įrenginį realiomis sąlygomis, sklaidžiamos vibracijos stiprumo vertė gali skirtis nuo nurodytos. Kad apsisaugotų dirbdamas realiomis sąlygomis, naudotojas turi mūvėti pirštines ir naudoti klausos apsaugos priemones.

PAKUOTĖS TURINIO SĄRAŠAS (A PAV.)

APRAŠYMAS

PAŽINKITE SNIEGO KASTUVĄ (A pav.)

1. Deflektorius reguliavimo rankenėlė
2. Kotas
3. Sandarinimo varžtas
4. Pjovimo platforma
5. Deflektorius
6. Grandyklė
7. Sraigtas
8. Sraigto velenas
9. Šešiabriaunis raktas
10. Kamštelis

SURINKIMAS

⚠ ĮSPĖJIMAS: jei kurios nors dalys pažeistos arba jų nėra, nenaudokite šio gaminio tol, kol tos dalys nebus pakeistos. Naudojant gaminį su pažeistomis dalimis arba kai jų trūksta, galima sunkiai susižaloti.

⚠ ĮSPĖJIMAS: nebandykite keisti šio gaminio konstrukcijos arba naudoti priedus, kurie nėra rekomenduojami naudoti su šiuo gaminiumi. Visi tokie pakeitimai laikomi netinkamu naudojimu ir gali sukelti pavojingas situacijas, kurių metu galite būti sunkiai susižaloti.

IŠPAKAVIMAS

- Atidžiai patikrinkite įrankį ir įsitikinkite, kad gabenimo metu niekas nesulūžo ir nebuvo pažeista.
- Pakuotės medžiagų neišmeskite, kol atidžiai nepatikrinote ir neišbandėte įrankio.

SNIEGO KASTUVO TVIRTINIMAS PRIE ELEKTRINĖS GALVUTĖS

Šis sniego kastuvo priedas skirtas naudoti su EGO elektrine galvute PH1400E.

Žr. „PRIEDO PRITVIRTINIMAS PRIE ELEKTRINĖS GALVUTĖS“ skyrių elektrinės galvutės PH1400E naudotojo vadove.

ĮTAISO NUĖMIMAS NUO ELEKTRINĖS GALVUTĖS

Žr. „PRIEDO NUĖMIMAS NUO ELEKTRINĖS GALVUTĖS“ skyrių elektrinės galvutės PH1400E naudotojo vadove.

DARBAS

⚠️ ĮSPĖJIMAS: Mokėjimas naudotis šiuo įrankiu nesuteikia teisės dirbti nerūpestingai. Atminkite, kad net akimirksniu atitraukę dėmesį galite sunkiai susižaloti.

⚠️ ĮSPĖJIMAS: Visada užsidėkite apsauginius akinius arba apsauginius akinius su šonine apsauga ir visą veidą dengiantį skydelį. Nesilaikant šio nurodymo į akis gali pataikyti išsviestos šiukšlės arba galite kitaip sunkiai susižaloti.

NAUDOJIMAS

Šį gaminį galite naudoti šiai paskirčiai:

- Mažų plotų ir lengvai valomų teritorijų, tokių kaip kiamai, pėsčiųjų takai ir garažai, valymas.

SNIEGO KASTUVO NAUDOJIMAS SU ELEKTRINE GALVUTE

⚠️ ĮSPĖJIMAS: sniego kastuvo niekada nenaudokite ant užšalusių ežerų, upių ar panašių paviršių. Įlūžus ledui galite patirti sunkią traumą ar net nuskęsti.

⚠️ ĮSPĖJIMAS: sniego kastuvo niekada nenaudokite ant stogo ar kitokio nestabilaus paviršiaus, nes galite sunkiai ar net mirtinai susižaloti.

⚠️ ĮSPĖJIMAS: sniego pūstuvo nenaudokite ant ledo, ant kurio galite paslysti, nugriūti ir sunkiai susižaloti.

⚠️ ĮSPĖJIMAS: nedėvėkite laisvų drabužių, šalikų ir nenešiotie laisvai kabančių papuošalų. Juos gali įtraukti įrenginio judamos dalys ir sunkiai ar net mirtinai sužaloti.

⚠️ ĮSPĖJIMAS: nenukreipkite sniego kastuvo žmonių ar naminių gyvūnėlių kryptimi. Išsviestas sniegas ar kiti daiktai gali sunkiai sužaloti.

⚠️ ĮSPĖJIMAS: iš valomos zonos pašalinkite akmenis, pagalius, vielas, žvyrą ir kitas kliūtis, kurias sniego kastuvas gali atsitiktinai išsviesti bet kuria kryptimi ir sunkiai sužaloti patį įrenginio naudotoją ar kitus asmenis.

Naudodami sniego kastuvą, eksploatuodami tvirtai laikykite įrankį už rankenos abiem rankomis (C pav.).

- Prieš pradėdami dirbti atkreipkite dėmesį į vėjo kryptį. Jei įmanoma, sniegą išmeskite pavėjui, kad jo neneštų jums į veidą.
- Kai kurios sniego kastuvo tvirtinimo dalys gali užšalti ekstremaliomis oro sąlygomis. Nebandykite naudoti įrenginio su užšalusiomis dalimis.
- Jei naudojant įrankis atsitrenkia į kliūtį, sustabdykite įrankį ir išimkite akumuliatorių. Prieš naudodami atidžiai patikrinkite įrankį.

- Jei sniegas per storas ir gilesnis nei valomas gylis, norint išvalyti gali prireikti pravažiuoti daugiau nei viena karta.

Baigę palikite įrankį veikti kelias minutes, kad prieš saugant visas sniegas būtų pašalintas iš sraigo.

ĮRANKIO PALEIDIMAS IR SUSTABDYMAS

Žr. elektrinės galvutės PH1400E naudojimo instrukcijos skyriuje „ELEKTRINĖS GALVUTĖS PALEIDIMAS IR STABDYMAS“.

DEFLEKTORIAUS REGULIAVIMO RANKENĖLĖ (D pav.)

Šio sniego kastuvo išleidimo kryptį galima pakeisti pasukant deflektoriaus reguliavimo rankenėlę į kairę, į priekį arba į dešinę.

Didžiausias rankenėlės reguliavimo diapazonas yra 60° (30° į kairę arba į dešinę).

Rankenėlė bus užfiksuota pasiekus kairiausią arba dešiniąsias padėties. Paspauskite rankenėlę ir pasukite ją atvirkščiai, kad atrinktumėte.

D-1	Užfiksavimo indikatorius
D-2	Deflektoriaus reguliavimo rankenėlė

TECHNINĖ PRIEŽIŪRA

BENDROJI PRIEŽIŪRA

Plastikinių dalių nevalykite tirpikliais. Įvairūs komerciniai tirpikliai gali pažeisti įvairių tipų plastiką ir jų naudoti nerekomenduojama. Purvą, dulkes, alyvą, tepalus ir t. t. valykite švaria šluoste.

⚠️ ĮSPĖJIMAS: Valydami sniego kastuvo priedą, NIEKADA nemerkite jo į vandenį ar kitą skystį.

GRANDYKLĖS UŽDĖJIMAS IR NUĖMIMAS

1. Iš elektrinės galvutės išimkite akumuliatorių.
2. Padėkite sniego kastuvo priedą ant šono ar bet kurioje kitoje padėtyje, kurioje būtų patogu tvarkyti grandyklę.
3. Išsukite keturis varžtus grandyklės priekyje, taip pat du varžtus abiejuose galuose. Naudokite atsuktuvą (komplekte nėra) (E ir F pav.).

E-1	Grandyklė
-----	-----------

4. Jei reikia, susidėvėjusią grandyklę pakeiskite nauja.
5. Norėdami iš naujo surinkti, uždėkite naują grandyklę, sulygiuodami šešias skyles, įkiškite šešis varžtus į skyles ir prisukite atsuktuvu (komplekte nėra).

PAVAROS REDUKTORIAUS TEPIMAS

Reduktoriaus korpuse sumontuotas pavaros krumpliaračius būtina reguliariai tepti reduktorių tepalu. Tepalo lygį reduktoriaus korpuse tikrinkite maždaug kas 50 darbo valandų, išsukdami korpuso šone esantį sandarinimo varžtą.

Jei pavarų šonuose nėra jokių tepalo požymių, pripilkite 3/4 talpos pavarų tepalo pagal toliau pateiktus nurodymus:

Visiškai nepripildykite transmisijos pavaros.

1. Pastatykite priedą statmenai, kad sandarinimo varžtas būtų nukreiptas į viršų (G pav.).

G-1	Reduktoriaus korpusas
G-2	Sandarinimo varžtas

2. Pridedamu universaliu veržliarakčiu išsukite sandarinimo varžtą.
3. Tepalo švirkštu (nėra komplekte) į varžto angą iššvirkškite tepalą. Neviršykite 3/4 talpos.
4. Baigę užveržkite sandarinimo varžtą.

GABENIMAS IR LAIKYMAS

- Išimkite iš įrankio sudėtinę bateriją.
- Prieš padėdami į sandėlį prietaisą kruopščiai nuvalykite.

Įrankį laikykite sausoje, gerai vėdinamoje, rakinamoje patalpoje arba aukštai, vaikams neprieinamoje vietoje. Nelaikykite įrankio ant arba prie trašų, benzino ar kitų cheminių medžiagų.

Aplinkos apsauga



Elektrinių įrankių negalima išmesti kartu su nerūšiuotomis buitinėmis atliekomis: juos reikia nuvežti į atitinkamus surinkimo punktus. Informaciją apie galimas surinkimo sistemas galite gauti iš vietos valdžios įstaigos.

Jei elektriniai prietaisai išmetami į užkasamuosius arba atvirusius sąvartynus, kenksmingos medžiagos gali prisisunkti iki gruntinio vandens, patekti į mitybos grandinę ir pakenkti jūsų sveikatai bei gerovei.

TRIKČIŲ ŠALINIMAS

PROBLEMA	PRIEŽASTIS	SPRENDIMAS
Sniego kastuvas nepasileidžia.	<ul style="list-style-type: none"> ▪ Sudėtinė baterija išseko ▪ Užrakto arba paleidiklio jungiklis buvo panaudotas netinkamai. ▪ Akumuliatorius nėra iki galo įdėtas į korpusą. 	<ul style="list-style-type: none"> ▪ Įkraukite bateriją. ▪ Žr. PH1400E naudojimo instrukcijos skyriuje „ELEKTRINĖS GALVUTĖS PALEIDIMAS IR STABDYMAS“. ▪ Patikrinkite, ar baterija iki galo įdėta į korpusą.
Mašina akivaizdžiai sugadinta.	<ul style="list-style-type: none"> ▪ Nenormalus sugadinimas gabenimo ar darbo metu. 	<ul style="list-style-type: none"> ▪ Nenaudokite toliau, siųskite į paskirtą remonto centrą remontui.
Sniego kastuvas palieka ploną sluoksnį.	<ul style="list-style-type: none"> ▪ Grandyklė susidėvėjusi. 	<ul style="list-style-type: none"> ▪ Pakeiskite grandyklę.
Netikėtas išjungimas dirbant	<ul style="list-style-type: none"> ▪ Mašina perkrauta ▪ Mašinos sudėtinė baterija perkaito 	<ul style="list-style-type: none"> ▪ Sumažinkite mašinos apkrovos intensyvumą. ▪ Prieš dirbdami atvėsinkite bateriją arba įrankį.

GARANTIJA

„EGO“ GARANTIJOS TAISYKLĖS

Jei norite sužinoti visas „EGO“ garantinių taisyklių sąlygas, apsilankykite interneto svetainėje egopowerplus.com.

IZLASIET VISUS NORĀDĪJUMUS



IZLASIET LIETOTĀJA ROKASGRĀMATU

Pirms sākat lietot instrumentu, izlasiet izprotiet un ievērojiet visas lietošanas norādes gan uz instrumenta, gan arī lietošanas instrukcijā. Iepazīstieties ar instrumenta vadības elementiem un pareizu lietošanu. Noskaidrojiet, kā apturēt instrumentu un ātri atvienot vadības ierīces.

⚠ Citi riski! Personām, kuras lieto elektroniskas ierīces, piemēram, elektrokardiostimulatorus, pirms šīs ierīces lietošanas jākonsultējas ar savu ārstu. Elektriskā aprīkojuma darbība sirds elektrokardiostimulatora tuvumā var radīt stimulatora darbības traucējumus vai kļūmes.

⚠ BRĪDINĀJUMS! Lai garantētu drošību un uzticamību, ierīces remontu un tās detaļu nomaiņu uzticiet veikt tikai kvalificētam servisa tehnikam.

DROŠĪBAS SIMBOLI

Drošības apzīmējumi ir paredzēti, lai pievērstu jūsu uzmanību iespējamem apdraudējumiem. Pievērsiet uzmanību drošības apzīmējumiem un to skaidrojumiem, un izprotiet tos. Brīdinājumu apzīmējumi paši par sevi nenovērš apdraudējumu. Tajos ietvertie norādījumi un brīdinājumi neaizstāj atbilstošu negadījumu novēršanas pasākumu īstenošanu.

⚠ BRĪDINĀJUMS! Pirms šī instrumenta lietošanas izlasiet un izprotiet visus šajā lietotāja rokasgrāmatā iekļautos drošības norādījumus, tostarp visus drošības brīdinājuma apzīmējumus, piemēram, „**BĪSTAMI!**”, „**BRĪDINĀJUMS!**” un „**UZMANĪBU!**”. Visu turpmāk uzskaitīto norādījumu neievērošana var izraisīt elektriskās strāvas triecienu, aizdegšanos un/vai smagus miesas bojājumus.

SIMBOLA NOZĪME

DROŠĪBAS BRĪDINĀJUMA APZĪMĒJUMS: Norāda signālvārdu **BRIESMAS, BRĪDINĀJUMS** VAI **UZMANĪBU**; var būt norādīts kopā ar citiem apzīmējumiem vai piktogrammām.



⚠ BRĪDINĀJUMS! Jebkura elektroinstrumenta lietošanas laikā acīs var iekļūt svešķermeņi, kas var radīt smagu acu traumu. Pirms elektroinstrumenta ieslēgšanas vienmēr uzvelciet aizsargbrilles vai aizsargbrilles ar sānu aizsargiem un, ja nepieciešams, pilnu sejas aizsargmasku. Iesakām izmantot aizsargmasku ar plašu skata leņķi, ko uzvelk virs parastajām brillēm, vai arī standarta aizsargbrilles ar sānu aizsargiem.

LV

DROŠĪBAS INSTRUKCIJA

Šajā lapaspusē ir parādīti un aprakstīti drošības apzīmējumi, kas var būt norādīti uz šī izstrādājuma. Pirms instrumenta montāžas un lietošanas izlasiet, izprotiet un ievērojiet visus uz instrumenta sniegtos norādījumus.



Piesardzības pasākumi personiskai drošībai.



Lai mazinātu traumu rašanās bīstamību, lietotājam pirms šī izstrādājuma lietošanas jāizlasa lietotāja rokasgrāmata.



Šī izstrādājuma darbināšanas laikā vienmēr valkājiet aizsargbrilles vai aizsargbrilles ar sānu aizsargiem un pilnu sejas aizsargmasku.



Nemēģiniet iztīrīt aizsērējušos tekni ar rokām.



Neturiet pēdas rotējoša lāpstņirata tuvumā.



Neizmantojiet lietū vai neatstājiet ārā, kamēr līst lietus.

CE Šis izstrādājums atbilst piemērojamām EK direktīvām.



Elektrisko izstrādājumu atkritumus nedrīkst izmest kopā ar sadzīves atkritumiem. Nogādāt uz pilnvarotu pārstrādes punktu.

V Spriegums

cm Centimetrs

⎓ Līdzstrāva

UK CA Šis izstrādājums atbilst piemērojamām Apvienotās Karalistes tiesību aktiem.

IPX4 4. aizsardzības klase pret ūdens iekļūšanu.

mm Milimetrs

kg Kilograms

VISPĀRĒJIE ELEKTROINSTRUMENTA DROŠĪBAS BRĪDINĀJUMI

⚠ BRĪDINĀJUMS! Izlasiet visus ar šo elektroinstrumentu saistītos drošības brīdinājumus, norādījumus, specifikāciju un aplūkojiet attēlus. Visu turpmāk uzskaitīto norādījumu neievērošana var izraisīt elektriskās strāvas triecienu, aizdegšanos un/vai nopietnas traumas.

SAGLABĀJIET VISUS BRĪDINĀJUMUS UN INSTRUKCIJAS TURPMĀKAI ATSAUCEI.

Brīdinājumos lietotais termins „elektroinstruments” attiecas uz elektriski darbināmu instrumentu, kura barošanu nodrošina elektrotīkls (ar elektrokabeļi) vai akumulators (bez elektrokabeļa).

DROŠĪBA DARBA ZONĀ

- **Uzturiet darba zonu tīru un labi apgaismotu.**
Nesakārtotā un slikti apgaismotā darba zonā var notikt nelaimes gadījumi.
- **Nedarbiniet elektroinstrumentus sprādzienbīstamā vidē, piemēram, viegli uzliesmojošu šķidrums, gāzu vai putekļu klātbūtnē.** Elektroinstrumenti rada dzirksteles, kas var aizdedzināt putekļus vai izgarojumu tvaikus.
- **Neļaujiet bērniem un klātesošajiem atrasties elektroinstrumenta tuvumā, kamēr tas darbojas.** Apjukuma brīdī jūs varat zaudēt vadību pār instrumentu.

PERSONĪGĀ DROŠĪBA

- **Darbinot elektroinstrumentu, esiet modri, pievērsiet uzmanību tam, ko jūs darāt, un rīkojieties ar to saprātīgi.** Nelietojiet elektroinstrumentu, ja esat noguris, atrodaties apreibinošo vielu vai alkohola iedarbībā vai lietojat medikamentus. Pat viens mirklis neuzmanības elektroinstrumenta lietošanas laikā var kļūt par cēloni nopietnām traumām.

- **Izmantojiet individuālos aizsarglīdzekļus. Vienmēr valkājiet acu aizsarglīdzekļus.** Ja tiek lietots darba specifiskai atbilstošs aizsargaprīkojums, piemēram, maska ar putekļu filtru, neslidoši darba apavi, ķivere vai austiņas, samazinās traumu gūšanas risks.
- **Novērsiet nejuaušas ieslēgšanās iespējamību. Pirms instrumenta pievienošanas strāvas avotam un/vai akumulatoru blokam pārliecinieties, vai slēdzis atrodas izslēgtā stāvoklī.** Pārnēsājot elektroinstrumentu ar pirkstu uz slēdža vai iedarbinot elektroinstrumentu, kas jau ir ieslēgtā stāvoklī, var notikt nelaimes gadījums.
- **Pirms elektroinstrumenta ieslēgšanas izņemiet visas noregulēšanas vai uzgriežņu atslēgas.** Regulēšanas instruments vai atslēga, kas palikusi elektroinstrumenta rotējošās daļās, var izraisīt traumas.
- **Nepārvērtējiet savas spējas. Ņemiet pareizu stāju un vienmēr saglabājiet līdzsvaru.** Tādējādi jūs varēsiet labāk apvaldīt elektroinstrumentu negaidītās situācijās.
- **Valkājiet atbilstošu apģērbu. Nevalkājiet vaļīgu apģērbu vai rotaslietas. Neļaujiet saviem matiem, apģērbam un cimdiem nonākt saskarē ar kustīgajām daļām.** Vaļīgs apģērbs, rotaslietas vai gari mati var iekerties instrumenta kustīgajās daļās.
- **Ja instrumenti ir paredzēti savienošanai ar putekļu nosūkšanas un savākšanas iekārtām, pārliecinieties, vai tie ir pieslēgti un tiek izmantoti pareizi.** Putekļu savākšanas iekārtu izmantošana var samazināt ar putekļiem saistītos apdraudējumus.
- **Nepieļaujiet, ka instrumenta bieža lietošana varētu izraisīt nevērtīgu attieksmi darbā ar to, un neignorējiet ar instrumenta lietošanu saistītos drošības principus.** Viens brīdis neuzmanības var izraisīt nopietnas traumas.

ELEKTROINSTRUMENTA LIETOŠANA UN APKOPE

- **Nespiediet elektroinstrumentu ar spēku.** Lietojiet attiecīgajam darbam piemērotāko elektroinstrumentu. Piemērots elektroinstruments labāk un drošāk spēs izpildīt veicamo darbu, darbojoties tam paredzētajā ātrumā.
- **Nelietojiet elektroinstrumentu, ja to nav iespējams ieslēgt un izslēgt ar slēdzi.** Ja elektroinstrumentu nav iespējams ieslēgt un izslēgt ar slēdzi, tas ir bīstams, tāpēc nekavējoties jāsalabo.
- **Pirms iestrēguša materiāla izņemšanas no asmeņiem, kā arī pirms elektroinstrumenta regulēšanas, aprikojuma daļu nomainīšanas, tīrīšanas vai novietošanas uzglabāšanā, izņemiet no elektroinstrumenta akumulatoru bloku, ja to var izdarīt.** Šādi piesardzības pasākumi palīdzēs novērst nejaūšu elektroinstrumenta ieslēgšanu.
- **Ja elektroinstrumenti kādu laiku netiek lietoti, uzglabājiet tos bērniem nepieejamā vietā un neļaujiet ar elektroinstrumentu darboties personām, kas instrumentu nepārzina vai nav izlasījušas šīs instrukcijas.** Nemākulīgās rokās nonākuši elektroinstrumenti ir potenciāls briesmu avots.
- **Veiciet elektroinstrumentam un piederumiem apkopi.** Pārbaudiet, vai ir pareizi uzstādītas kustīgās daļas un vai tās neķeras, un vai elektroinstrumenta daļām nav bojājumu, kas var negatīvi ietekmēt tā darbību. Bojāts elektroinstruments ir jāsalabo pirms nākamās lietošanas reizes. Daudzu negadījumu cēlonis ir sliktā stāvoklī esošu elektroinstrumentu izmantošana.
- **Griezējinstrumentiem jābūt asiem un tīriem.** Rūpīgi kopī griezējinstrumenti retāk iestrēgst un ir vieglāk vadāmi.
- **Lietojiet elektroinstrumentu, tā piederumus un maināmos instrumentus, kā arī citus saistītos elementus atbilstoši šiem norādījumiem, ņemot vērā darba apstākļus un veicamo uzdevumu.** Elektroinstrumenta lietošana neparedzētiem mērķiem var radīt bīstamu situāciju.
- **Rokturiem un satveršanas daļām jābūt sausiem, tīriem un uz tiem nedrīkst būt eļļa vai smērviela.** Ja rokturi un satveršanas daļas ir mitras, tās slidēs, un ar instrumentu vairs nebūs droši strādāt, kā arī apvaldīt neparedzētu apstākļu gadījumos.
- **Uzmanieties, lai kabeļi atrastos drošā attālumā no instrumenta darba zonas.** Darba laikā kabeļi var nemanāmi savīties un tikt nejaūši pārgriezti ar instrumentu.

AKUMULATORA LIETOŠANA UN APKOPE

- **Uzlādējiet instrumentu tikai ar ražotāja noteikto**

lādētāju. Lādētājs, kas paredzēts lietošanai tikai ar viena veida akumulatoru bloku, var radīt aizdegšanās draudus, ja to izmanto kopā ar citu akumulatoru bloku.

- **Lietojiet elektroinstrumentus kopā tikai ar tiem paredzētiem akumulatoru blokiem.** Jebkura cita akumulatoru bloka lietošana var radīt traumu gūšanas un aizdegšanās risku.
- **Kad akumulatoru bloks netiek izmantots, neglabājiet to citu metāla priekšmetu, piemēram, papīra saspraužu, monētu, atslēgu, naglu, skrūvju vai citu sīku metāla priekšmetu, kas var veidot savienojumu starp spailēm, tuvumā.** Akumulatora spaiļu īsslēgums var izraisīt aizdegšanos vai ugunsgrēku.
- **Nepareizas rīcības gadījumā no akumulatora var iztecēt šķidrums; izvairieties no saskares ar to. Ja tas nejaūši nokļuvis uz ādas, noskalojiet ar ūdeni. Ja šķidrums iekļuvis acīs, nekavējoties meklējiet medicīnisko palīdzību.** No akumulatora izkļušais šķidrums var izraisīt kairinājumu vai apdegumus.
- **Nelietojiet bojātu vai pārveidotu akumulatoru bloku vai instrumentu.** Bojātu vai pārveidotu akumulatoru izmantošana var radīt neparedzamus apstākļus, kas rada aizdegšanās, sprādziena vai traumas gūšanas draudus.
- **Nepakļaujiet akumulatoru bloku vai instrumentu uguns liesmu vai pārmērīgas temperatūras iedarībai.** Uguns liesmu iedarbība vai temperatūra virs 100°C var izraisīt sprādzienu.
- **Izpildiet visas uzlādēšanas instrukcijas un neuzlādējiet akumulatoru bloku vai iekārtu ārpus instrukcijās norādītajām temperatūras vērtībām.** Ja iekārta tiek uzlādēta nepareizi vai tiek pārsniegtas instrukcijās norādītās uzlādēšanas temperatūras vērtības, akumulators var sabojāties un palielināt aizdegšanās risku.

SERVISS

- **Elektroinstrumenta remontdarbus drīkst veikt tikai kvalificēts speciālists, izmantojot tikai oriģinālās rezerves daļas.** Tādējādi tiks garantēts elektroinstrumenta lietošanas drošums.
- **Nekad neveiciet bojātam akumulatoru blokam remontdarbus pašrocīgi.** Bojāta akumulatoru bloka remontdarbus drīkst veikt tikai ražotājs vai pilnvaroti servisa darbinieki.

⚠ BRĪDINĀJUMS! Izlasiet visus ar šo elektroinstrumentu saistītos drošības brīdinājumus, norādījumus, specifikāciju un aplūkojiet attēlus. Visu turpmāk uzskaitīto norādījumu neievērošana var izraisīt elektriskās strāvas triecienu, aizdegšanos un/vai nopietnas traumas. Saglabājiet visus brīdinājumus un instrukcijas

turpmācai atsaucei.

Saglabājiet visus brīdinājumus un instrukcijas turpmācai atsaucei.

INSTRUMENTA LIETOŠANAS APGŪŠANA

- Pirms sākat lietot instrumentu, izlasiet izprotiet un ievērojiet visas lietošanas norādes gan uz instrumenta, gan arī lietošanas instrukcijā(-s). Iepazīstieties ar instrumenta vadības elementiem un pareizu lietošanu. Noskaidrojiet, kā apturēt instrumentu un ātri atvienot vadības ierīces.
- Nekad neļaujiet bērniem darboties ar instrumentu. Nekad neļaujiet pieaugušajiem darbināt iekārtu, kas nav iepazīnušies ar lietošanas instrukciju.
- Darba zonā nedrīkst atrasties neviena persona, īpaši mazi bērni.
- Rīkojieties piesardzīgi, lai nepakļūtu vai nepasīdētu, īpaši stumjot sniega lāpstas pierīci atpakaļgaitā.

SAGATAVOŠANĀS DARBAM

- Nelietojiet iekārtu, ja tuvumā ir cilvēki, it īpaši bērni vai mājdzīvnieki.
- Izmantojot iekārtu, vienmēr lietojiet acu aizsarglīdzekļus un izturīgus apavus.
- Attālumam starp iekārtu un tuvumā esošām nepiederošām personām jābūt vismaz 15 m.
- Nedarbināt iekārtu, ja operators ir noguris, saslimis vai atrodas alkohola vai citu apreibinošu vielu ietekmē.
- Rūpīgi pārbaudiet zonu, kurā izmantosiet iekārtu, un aizvāciet visus durvju paklājus, ragavas, dēļus, vadus un citus svešķermeņus.
- Nedarbiniet iekārtu, ja jums mugurā nav piemērota ziemas apģērba. Nevelciet vaļīgu apģērbu, ko var ieraut kustīgās daļās. Valkājiet apavus, kas neļauj paslīdēt uz slidenām virsmām.
- Eksploatēšanas, regulēšanas vai remonta darbu laikā vienmēr valkājiet aizsargbrilles vai acu aizsarglīdzekļus, lai aizsargātu acis no svešķermeņiem, ko var atsviest iekārta.
- Visām iekārtām ar elektriskā motora iedarbināšanas sistēmu jāizmanto pagarinātājsvadi un rozetes, ko norādījis ražotājs.
- Nekādā gadījumā nemēģiniet regulēt iekārtu ar ieslēgtu motoru (izņemot gadījumus, kad ražotājs to ir īpaši ieteicis).

EKSPLUATĀCIJA

- Neturiet plaukstas vai pēdas rotējošu daļu tuvumā vai zem tām. Vienmēr uzturiet izlādes teknes atveri tīru.

- Esiet īpaši uzmanīgs(-a), kad tīrāt sniegu vai šķērsojat grants celiņus, gājēju celiņus vai ceļu. Uzmanieties no apdraudējuma, ko uzreiz nevar pamanīt, vai ceļu satiksmes.
- Ja kāds svešķermenis atsitās pret iekārtu, apturiet motoru, izņemiet akumulatoru bloku, rūpīgi pārbaudiet sniega lāpstas pierīci, vai nav kādi bojājumi un pirms tās iedarbināšanas novērsiet bojājumu.
- Ja iekārta sāk neierasti vibrēt, apturiet motoru un nekavējoties nosakiet cēloni. Vibrēšana parasti brīdina par kļūmi. Vibrēšana parasti brīdina par kļūmi.
- Ikreiz, kad dodaties projām no iekārtas, kā arī pirms spirālveida urbja korpusa iztīrīšanas un remontdarbu, regulēšanas vai pārbaudes darbu veikšanas, apturiet motoru.
- Esiet īpaši uzmanīgs(-a), strādājot slīpumā.
- Nekādā gadījumā neizmantojiet sniega lāpstas pierīci ar noņemtiem aizsargiem, plāksnēm vai citām drošības aizsardzības ierīcēm, kas tam ir uzstādītas.
- Nekad nevērsiet izlādes teknes atveri pret cilvēkiem vai vietām, kur var rasties īpašuma bojājumi. Raugiet, lai bērni un citas personas neatrastos iekārtas tuvumā.
- Nepārslogojiet iekārtu, mēģinot notīrīt sniegu ar pārāk lielu ātrumu.
- Nekādā gadījumā nedarbiniet sniega lāpstas stiprinājumu ar lielu ātrumu uz slidenas virsmas. Pirms velkat iekārtu atpakaļgaitā, paskatieties uz aizmuguri un rīkojieties uzmanīgi.
- Izmantojiet tikai patļģierīces un piederumus, ko apstiprinājis sniega lāpstas stiprinājuma ražotājs (piemēram, skrāpi).
- Nekad nedarbiniet sniega lāpstas stiprinājumu sliktas redzamības vai vāja apgaismojuma apstākļos. Vienmēr pārliecinieties, vai jums zem kājām ir drošs pamats, un stingri turiet rokturus. Ejiat, nekad neskrīeniet.
- Nepakļaujiet akumulatoru bloku vai instrumentu uguns liesmu vai pārmērīgas temperatūras iedarbībai. Uguns liesmu iedarbībai vai temperatūra virs 100°C var izraisīt sprādzienu.
- Izmantojiet tikai B attēlā uzskaitītos akumulatora blokus un lādētājus.

AIZSĒRĒJUŠĀ SPIRĀLVEIDA URBJA IZTĪRĪŠANA

Pieskaršanās ar rokām rotējošam spirālveida urbim ir visbiežākais traumu gūšanas iemesls saistībā ar sniega lāpstas stiprinājuma lietošanu. Nekad netīriet rotējošu spirālveida urbi ar rokām.

Lai iztīrītu spirālveida urbi:

- IZSLĒDZIET INSTRUMENTU!

- Izņemiet no instrumenta akumulatoru bloku.
- Pagaidiet 10 sekundes, lai pārļiecinātos, vai spirālveida urbis ir pārtraucis griezties.
- Vienmēr spirālveida urbja tīrīšanai izmantojiet tīrīšanas instrumentu, kas kā piederums ir piestiprināts iekārtai, netīrīet ar roku.

APKOPE UN UZGLABĀŠANA

- Lai iekārta būtu droša darba stāvoklī, regulāri pārbaudiet, vai visas bulskrūves un stiprinājumi ir pareizi pievilkti.
- Ja sniega lāpstas pierīci paredzēts ilgstoši uzglabāt, vienmēr izlasiet lietotāja rokasgrāmatā sniegto svarīgo informāciju.
- Saglabājiet vai, ja nepieciešams, nomainiet drošības un instrukciju etiķetes.
- Ļaujiet iekārtai darboties vēl dažas minūtes, lai novērstu spirālveida urbja aizsalšanu.

SAGLABĀJIET ŠO INSTRUKCIJU. Vairākkārt pārlasiet un izmantojiet šo instrukciju, lai sniegtu norādījumus citiem, kas izmanto šo ierīci. Ja kādam aizdodat plaujumašīnu, iedodiet līdzi arī šo instrukciju, lai nodrošinātu, ka plaujumašīna tiek pareizi izmantota, un neradītu traumu gūšanas bīstamību.

SPECIFIKĀCIJAS

Nominālais spriegums	56 V
Apgrīzietu skaits, strādājot bez slodzes	1420±10% rpm 1750±10% rpm
Tīrīšanas darba platums	30 cm
Metiena attālums	Līdz 7,5 m
Ieplūdes augstums	15 cm
Ieteicamā darba temperatūra	-10-10°C
Ieteicamā uzglabāšanas temperatūra *Ierīcei BEZ akumulatoru bloka	-20-70°C
Svars	5,2 kg
Izmērītais skaņas intensitātes līmenis L_{WA}	98 dB(A) K=2.3 dB(A)
Trokšņa spiediena līmenis pie lietotāja auss L_{PA}	90 dB(A) K=2.5 dB(A)
Garantētais skaņas intensitātes līmenis L_{WA} (izmērīts saskaņā ar 2000/14/EK)	100 dB(A)

Vibrācijas ietekmes novērtējums a_{hv}	Priekšējais palīgrokturis	4.4 m/s ² K=1.5 m/s ²
	Aizmugurējais rokturis	3.9 m/s ² K=1.5 m/s ²

- Iepriekš minētie parametri ir pārbaudīti un izmērīti kopā ar instrumentgalvu PH1400E.
- Norādītā vibrāciju kopējā vērtība ir izmērīta saskaņā ar standarta pārbaudes metodi un var tikt izmantota, lai salīdzinātu vairākus instrumentus.
- Deklarēto vibrāciju emisijas vērtību var arī lietot iepriekšējai vibrāciju iedarbības novērtēšanai.

PIEZĪME! Vibrāciju emisijas faktiskajā elektroinstrumenta darbināšanas laikā var atšķirties no norādītās vērtības. Lai pasargātu operatoru, lietotājam jāvalkā cimdai un dzirdes aizsarglīdzekļi atbilstoši faktiskajiem darba apstākļiem.

IENĀKOJUMA SATURA SARAKSTS (A ATT.)

APRAKSTS

PĀRZINIET SAVU SNIEGA LĀPSTAS PIERĪCI (A att.)

1. Deflektora regulēšanas poga
2. Vārpsta
3. Blīvējuma skrūve
4. Pļaušanas bloks
5. Deflektors
6. Skrāpis
7. Spirālveida urbis
8. Spirālveida urbja vārpsta
9. Sešskaldņu uzgriežņu atslēga
10. Uzgalis

MONTĀŽA

⚠ BRĪDINĀJUMS! Ja kāda daļa ir bojāta vai trūkst, nedarbiniet šo izstrādājumu, kamēr nav nomainīta bojātā daļa. Darbinot šo izstrādājumu ar bojātām vai trūkstošām daļām, varat gūt smagus miesas bojājumus.

⚠ BRĪDINĀJUMS! Nemēģiniet pārveidot šo instrumentu vai izveidot piederumus, kas nav ieteicami lietošanai kopā ar šo instrumentu. Jebkādi šādi uzlabojumi vai pārveidojumi ir uzskatāmi par neatbilstošiem lietošanai un var radīt bīstamus apstākļus, kas var izraisīt nopietnus ievainojumus.

IZPAKOŠANA

- Rūpīgi pārbaudiet instrumentu, lai pārļiecinātos, vai piegādes laikā nav salūzusi vai sabojāta kāda daļa.
- Neizmetiet iepakojuma materiālu, kamēr neesat rūpīgi pārbaudījis, vai instruments darbojas apmierinoši.

SNIEGA LĀPSTAS PIERĪCES PIESTIPRINĀŠANA INSTRUMENTGALVAI

Šī sniega lāpsta pierīce ir paredzēta lietošanai kopā ar EGO instrumentgalvu PH1400E.

Skatiet instrumentgalvas PH1400E lietotāja rokasgrāmatā sadaļu „PIERĪCES PIESTIPRINĀŠANA INSTRUMENTGALVAI”.

PALĪGIERĪCES IZŅEMŠANA NO INSTRUMENTGALVAS

Skatiet instrumentgalvas PH1400E lietotāja rokasgrāmatā sadaļu „PIERĪCES NOŅEMŠANA NO INSTRUMENTGALVAS”.

EKSPLUATĀCIJA

⚠ BRĪDINĀJUMS! Saglabājiet modrību visu griežējinstrumenta lietošanas laiku. Neaizmirstiet, ka pat mīrkils neuzmanības var izraisīt nopietnu traumu.

⚠ BRĪDINĀJUMS! Lietojot šo izstrādājumu, vienmēr valkājiet aizsargbrilles vai aizsargbrilles ar sānu aizsargiem un pilnu sejas aizsargu. Šo noteikumu neievērošanas rezultātā acis var nonākt svešķermeņi vai arī jūs varat gūt citas smagas traumas.

PIELIETOJUMS

Šo elektroinstrumentu var lietot tālāk norādītajam mērķim:

- neliela izmēra teritoriju un viegli uzkopjamu vietu, piemēram, pagalmu, gājēju ceļu un garāžu, attīrīšanai no sniega.

SNIEGA LĀPSTAS PIERĪCES LIETOŠANA KOPĀ AR INSTRUMENTGALVU

⚠ BRĪDINĀJUMS! Nekad neizmantojiet sniega lāpsta pierīci aizsaluša ezera, upes vai tamlīdzīgu virsmu attīrīšanai no sniega. Ledus ielūšana var izraisīt nāvi vai nopietnas traumas.

⚠ BRĪDINĀJUMS! Nekādā gadījumā neizmantojiet sniega lāpsta pierīci juntu vai citu nestabilu virsmu attīrīšanai no sniega, kas var izraisīt nāvi vai nopietnas traumas.

⚠ BRĪDINĀJUMS! Neizmantojiet sniega lāpsta pierīci uz ledus, jo operators var paslidēt un nokrist, kas var izraisīt miesas bojājumus.

⚠ BRĪDINĀJUMS! Nevalkājiet vaļīgu apģērbu, šalles vai rotaslietas. Tos var ieraut kustīgajās daļās un izraisīt nāvi vai nopietnas traumas.

⚠ BRĪDINĀJUMS! Nekad nevērsiet sniega lāpsta pierīci cilvēku vai mājdzīvnieku virzienā. Izsviests sniegs vai citi priekšmeti var izraisīt nopietnas traumas.

⚠ BRĪDINĀJUMS! Pārbaudiet, vai no sniega attīrāmajā vietā nav akmeņi, zari, stieples, grants un citi priekšmeti, ko sniega lāpsta pierīce var nejauši izmest jebkurā virzienā un kas var izraisīt smagus miesas bojājumus operatoram un citiem klātesošajiem.

Sniega lāpsta pierīces izmantošanas laikā turiet instrumentu stingri ar abām rokām (C att.).

- Pirms sākat darbu, noskaidrojiet vēja virzienu. Ja iespējams, izlādējiet sniegu vēja virzienā, lai tas netiktu atsviests atpakaļ.
- Ekstremālos laika apstākļos dažas sniega lāpsta pierīces daļas var sasalt. Nemēģiniet instrumentu darbināt, kamēr tā daļas ir sasalušas.
- Ja darba laikā instruments saskaras ar jebkāda veida šķēršļiem, apturiet to un izņemiet akumulatoru. Pirms lietošanas rūpīgi pārbaudiet instrumentu.
- Ja sniegs ir pārāk biezs un tā dziļums ir lielāks par tīrīšanas dziļumu, ar instrumentu būs jāpārbrauc pāri attīrāmajai vietai vairākas reizes.

Kad darbs ir pabeigts, pirms instrumenta novietošanas uzglabāšanā ļaujiet tam darboties vēl dažas minūtes, lai no tā nokristu viss sniegs.

ELEKTROINSTRUMENTA PALAIŠANA/ APTURĒŠANA

Skatiet instrumentgalvas PH1400E lietotāja rokasgrāmatā sadaļu „INSTRUMENTGALVAS PALAIŠANA/ APTURĒŠANA”.

DEFLEKTORA REGULĒŠANAS POGA (D att.)

Šai sniega lāpsta pierīcei var mainīt sniega izlādes virzienu, pagriežot deflektora regulēšanas pogu pa kreisi, uz priekšu vai pa labi.

Pogas maksimālais regulēšanas diapazons ir 60° (30° pa kreisi vai pa labi).

Poga nofiksējas, pagriežot vistālākajā pozīcijā pa labi vai pa kreisi. Lai pogu atbloķētu, nospiediet to un pagrieziet pretējā virzienā.

D-1	Bloķēšanas indikators
D-2	Deflektora regulēšanas poga

APKOPE

VISPĀRĒJĀ APKOPE

Plastmasas detaļu tīrīšanai neizmantojiet šķīdinātājus. Vairums plastmasu ir uzņēmīgas pret dažāda veida komerciālu šķīdinātāju radītiem bojājumiem un, tos izmantojot, var tikt sabojātas. Lai notīrītu netīrumus, putekļus, eļļu, smērvielas u.c., izmantojiet tīras lupatiņas.

⚠ BRĪDINĀJUMS! Tīrīšanas laikā sniega lāpstas pierīci **NEDRĪKST** iemērkāt ūdenī vai kādā citā šķidrumā.

SKRĀPJA UZSTĀDĪŠANA UN NOŅEMŠANA

1. Izņemiet no instrumentgalvas akumulatora bloku.
2. Pagrieziet sniega lāpstas pierīci uz sāniem vai novietojiet kādā citā pozīcijā, lai būtu ērti uzstādīt skrāpi.
3. Izņemiet skrāpja priekšpusē esošās četras skrūves, un divas skrūves, kas atrodas abos galos. Izmantojiet skrūvgriezi (nav iekļauts komplektā), lai atskrūvētu skrūves (E un F att.).

E-1	Skrāpis
-----	---------

4. Ja nepieciešams, nomainiet skrāpi ar jaunu.
5. Lai uzstādītu skrāpi, ievietojiet jaunu skrāpja stieni, salāgojot visus sešus caurumiņus, pēc tam ievietojiet sešas skrūves caurumiņos un pieskrūvējiet ar skrūvgriezi (nav iekļauts komplektā).

REDUKTORU EĻĻOŠANA

Reduktorus pārnesumkārbā ir periodiski jāieeļļo ar reduktoru smērvielu. Pārbaudiet pārnesumkārbā smērvielas līmeni ik pēc 50 darba stundām, noņemot kārbas pusē esošo blīvējuma skrūvi.

Ja uz reduktora malām nav redzama smērviela, tad, lai uzpildītu reduktoru smērvielu līdz 3/4 ietilpības, izpildiet tālāk redzamās darbības.

Neiepildiet smērvielu reduktora korpusā līdz augšai.

1. Pagrieziet pierīci uz sāniem tā, lai blīvējuma skrūve būtu vērsta virzienā uz augšu (G att.).

G-1	Pārnesumkārbā
-----	---------------

G-2	Blīvējuma skrūve
-----	------------------

2. Atskrūvēšanai izmantojiet komplektācijā iekļauto daudzfunkciju uzgriežņu atslēgu un izņemiet blīvējuma skrūvi.
3. Izmantojiet smērvielas šļirci (komplektācijā nav iekļauta), lai iepildītu smērvielu caur skrūves atveri; nepārsniedzot 3/4 ietilpības.

4. Pēc iepildīšanas aizskrūvējiet blīvējuma skrūvi.

TRANSPORTĒŠANA UN UZGLABĀŠANA

- Izņemiet no instrumenta akumulatoru bloku.
- Pirms uzglabāšanas instruments ir kārtīgi jānotīra.

Uzglabājiet elektroinstrumentu sausā, labi vēdināmā, aizslēdzamā vai augstā — bērniem nepieejamā — vietā. Neuzglabājiet instrumentu blakus mēslojumam, benzīnam vai citām ķīmikālijām.

Apkārējās vides aizsardzība



Neatbrīvojieties no elektriskajām ierīcēm kopā ar nešķīrotajiem sadzīves atkritumiem, nogādājiet tās uz atsevišķiem savākšanas punktiem. Sazinieties ar vietējo pašvaldības iestādi, lai iegūtu informāciju par pieejamām savākšanas sistēmām.

Ja elektroierīces tiek izmestas atkritumu poligonos vai izgāztuvēs, gruntsūdenī var iekļūt bīstamas vielas, piesārņojot barības ķēdi, kaitējot veselībai un labklājībai.

KĻŪDU NOVĒRŠANA

PROBLĒMA	CĒLONIS	RISINĀJUMS
Sniega lāpstu nevar iedarbināt.	<ul style="list-style-type: none"> ■ Izlādējies akumulatoru bloks ■ Bloķēšanas poga vai sprūda slēdzis netika izmantoti pareizi. ■ Akumulators nav pilnībā ievietots korpusā. 	<ul style="list-style-type: none"> ■ Uzlādējiet akumulatoru. ■ Skatiet PH1400E lietotāja rokasgrāmatā sadaļu „INSTRUMENTGALVAS PALAIŠANA/APTURĒŠANA”. ■ Pārbaudiet, vai akumulators ir pilnībā ievietots korpusā.
Iekārta ir acīmredzami bojāta.	<ul style="list-style-type: none"> ■ Radies pārāk liels bojājums transportēšanas vai lietošanas laikā. 	<ul style="list-style-type: none"> ■ Pārtrauciet lietot, nogādājiet uz norādīto remontdarbnīcu, kur tam veiks remontu.
Sniega lāpsta atstāj plānu sniega kārtu.	<ul style="list-style-type: none"> ■ Skrāpis ir nolietojies. 	<ul style="list-style-type: none"> ■ Nomainiet skrāpi.
Negaidīta izslēgšanās darbības laikā	<ul style="list-style-type: none"> ■ Iekārtas pārslodze ■ Pārāk stipri sakarsis akumulatoru bloks vai instruments. 	<ul style="list-style-type: none"> ■ Samaziniet instrumenta slodzes intensitāti. ■ Pirms turpināt darbu ļaujiet akumulatoram vai instrumentam atdzist.

GARANTĪJA

EGO GARANTĪJAS POLITIKA

Lūdzu, apmeklējiet tīmekļa vietni egopowerplus.com, kur pieejama pilna EGO garantijas politikas noteikumu un nosacījumu versija.

ΔΙΑΒΑΣΤΕ ΟΛΕΣ ΤΙΣ ΟΔΗΓΙΕΣ



ΔΙΑΒΑΣΤΕ ΤΟ ΕΓΧΕΙΡΙΔΙΟ ΧΡΗΣΗΣ

Διαβάστε, κατανοήστε και τηρείτε όλες τις οδηγίες που υπάρχουν πάνω στη μηχανή και μέσα στα εγχειρίδια, πριν από τη χρήση αυτής της μονάδας. Εξοικειωθείτε καλά με τα χειριστήρια και τη σωστή χρήση του μηχανήματος. Μάθετε πώς να ακινητοποιείτε τη μονάδα και να αποδεσμεύετε γρήγορα τα χειριστήρια.

⚠ Υπολειπόμενοι κίνδυνοι! Άνθρωποι που φέρουν ηλεκτρονικές συσκευές όπως βηματοδότες πρέπει να συμβουλευούνται τους γιατρούς τους, πριν τη χρήση αυτού του προϊόντος. Η λειτουργία ηλεκτρολογικού εξοπλισμού κοντά σε βηματοδότη μπορεί να προκαλέσει παρεμβολές ή βλάβη στο βηματοδότη.

⚠ ΠΡΟΕΙΔΟΠΟΙΗΣΗ: Προκειμένου να διασφαλιστεί η ασφάλεια και η αξιοπιστία, όλες οι επισκευές και οι αντικαταστάσεις πρέπει να πραγματοποιούνται από εξειδικευμένο τεχνικό σέρβις.

ΣΥΜΒΟΛΑ ΑΣΦΑΛΕΙΑΣ

Ο σκοπός των συμβόλων ασφαλείας είναι να σας επιστήσουν την προσοχή σε ενδεχόμενους κινδύνους. Προσέξτε και κατανοήστε τα σύμβολα ασφαλείας και τις επεξηγήσεις που τα συνοδεύουν. Τα σύμβολα προειδοποίησης από μόνα τους δεν εξαλείφουν κανέναν κίνδυνο. Οι οδηγίες και οι προειδοποιήσεις που παρέχουν δεν υποκαθιστούν τα κατάλληλα μέτρα πρόληψης ατυχημάτων.

⚠ ΠΡΟΕΙΔΟΠΟΙΗΣΗ: Βεβαιωθείτε ότι έχετε διαβάσει και κατανοήσει όλες τις οδηγίες ασφαλείας στο παρόν εγχειρίδιο χρήσης, συμπεριλαμβανομένων όλων των συμβόλων ασφαλείας, όπως «**ΚΙΝΔΥΝΟΣ**», «**ΠΡΟΕΙΔΟΠΟΙΗΣΗ**» και «**ΠΡΟΣΟΧΗ**», προτού να χρησιμοποιήσετε αυτό το ηλεκτρικό εργαλείο. Η μη τήρηση όλων των παρακάτω οδηγιών μπορεί να οδηγήσει σε ηλεκτροπληξία, πυρκαγιά και/ή σοβαρό τραυματισμό.

ΕΠΕΞΗΓΗΣΗ ΣΥΜΒΟΛΩΝ

ΣΥΜΒΟΛΟ ΠΡΟΕΙΔΟΠΟΙΗΣΗΣ ΑΣΦΑΛΕΙΑΣ: Υποδηλώνει **ΚΙΝΔΥΝΟ**, **ΠΡΟΕΙΔΟΠΟΙΗΣΗ** ή **ΠΡΟΦΥΛΑΞΗ**, ενώ μπορεί να χρησιμοποιείται σε συνδυασμό με άλλα σύμβολα ή εικονογράμματα.



⚠ ΠΡΟΕΙΔΟΠΟΙΗΣΗ: Η λειτουργία ηλεκτρικών εργαλείων μπορεί να προκαλέσει την εκτόξευση ξένων αντικειμένων στα μάτια σας, με αποτέλεσμα σοβαρό τραυματισμό. Προτού ξεκινήσετε τη χρήση του ηλεκτρικού εργαλείου, φοράτε πάντα προστατευτικά γυαλιά ή γυαλιά με πλευρική προστασία και, εφόσον απαιτείται, πλήρη προστατευτική προσωπίδα. Συνιστούμε μια προσωπίδα ασφαλείας ευρείας όρασης, για χρήση πάνω από γυαλιά ή τα συνήθη προστατευτικά γυαλιά με πλευρική προστασία.

GR

ΟΔΗΓΙΕΣ ΑΣΦΑΛΕΙΑΣ

Αυτή η σελίδα απεικονίζει και περιγράφει τα σύμβολα ασφαλείας που μπορεί να υπάρχουν επάνω στο προϊόν. Διαβάστε, κατανοείτε και τηρείτε όλες τις οδηγίες επάνω στη μηχανή, προτού επιχειρήσετε να τη συναρμολογήσετε και να τη χρησιμοποιήσετε.



Προφυλάξεις που σχετίζονται με την ασφάλειά σας.



Φοράτε πάντοτε προστατευτικά γυαλιά ή γυαλιά ασφαλείας με πλευρική προστασία και πλήρη προστατευτική προσωπίδα κατά τη λειτουργία αυτού του προϊόντος.



Για να μειωθεί ο κίνδυνος τραυματισμού, ο χρήστης θα πρέπει να έχει διαβάσει και να έχει κατανοήσει το εγχειρίδιο χρήσης πριν χρησιμοποιήσει αυτό το προϊόν.



Μην χρησιμοποιείτε τα χέρια για να εμπελοκάρετε τη χοάνη.



Κρατήστε τα πόδια σας μακριά από την περιστρεφόμενη πτερωτή.



Αυτό το προϊόν συμμορφώνεται με τις εφαρμοστές οδηγίες της ΕΚ.



Τα απόβλητα ειδών ηλεκτρικού και ηλεκτρονικού εξοπλισμού δεν πρέπει να απορρίπτονται στα οικιακά απορρίμματα. Παραδώστε τα σε εξουσιοδοτημένη μονάδα ανακύκλωσης.



Τάση



Εκατοστό



Συνεχές ρεύμα



Να μη χρησιμοποιείται στη βροχή και να μην παραμένει σε εξωτερικό χώρο όταν βρέχει.



Αυτό το προϊόν συμμορφώνεται με την εφαρμοστέα νομοθεσία του Ηνωμένου Βασιλείου.

IPX4

Βαθμός προστασίας έναντι διείσδυσης νερού 4.

mm

Χιλιοστό

kg

Κιλό

ΓΕΝΙΚΕΣ ΠΡΟΕΙΔΟΠΟΙΗΣΕΙΣ ΑΣΦΑΛΕΙΑΣ ΓΙΑ ΗΛΕΚΤΡΙΚΑ ΕΡΓΑΛΕΙΑ

▲ ΠΡΟΕΙΔΟΠΟΙΗΣΗ! Μελετήστε όλες τις προειδοποιήσεις ασφάλειας, τις οδηγίες, τις εικόνες και τις προδιαγραφές που συνοδεύουν αυτό το ηλεκτρικό εργαλείο. Εάν δεν τηρηθούν όλες οι οδηγίες που αναφέρονται παρακάτω, μπορεί να προκληθεί ηλεκτροπληξία, πυρκαγιά και/ή σοβαρός τραυματισμός.

ΦΥΛΑΞΤΕ ΟΛΕΣ ΤΙΣ ΠΡΟΕΙΔΟΠΟΙΗΣΕΙΣ ΚΑΙ ΤΙΣ ΟΔΗΓΙΕΣ ΓΙΑ ΜΕΛΛΟΝΤΙΚΗ ΑΝΑΦΟΡΑ.

Ο όρος «ηλεκτρικό εργαλείο» στις προειδοποιήσεις αναφέρεται στο ηλεκτρικό σας εργαλείο που λειτουργεί είτε με σύνδεση σε πρίζα (ενσύρματα) είτε με μπαταρίες (ασύρματα).

ΑΣΦΑΛΕΙΑ ΣΤΟ ΧΩΡΟ ΕΡΓΑΣΙΑΣ

- Διατηρείτε το χώρο εργασίας καθαρό και καλά φωτισμένο. Οι ακατάστατοι χώροι και οι χώροι με κακό φωτισμό ενισχύουν την πιθανότητα ατυχημάτων.
- Μη χρησιμοποιείτε ηλεκτρικά εργαλεία σε εκρηκτική ατμόσφαιρα, για παράδειγμα, παρουσία εύφλεκτων υγρών, αερίων ή σκόνης. Τα ηλεκτρικά εργαλεία δημιουργούν σπινθήρες που μπορεί να αναφλέξουν τη σκόνη ή τις αναθυμιάσεις.
- Διατηρείτε τα παιδιά και τους παρευρισκόμενους μακριά, όταν χρησιμοποιείτε το ηλεκτρικό εργαλείο. Εάν κάτι αποσπάσει την προσοχή σας, μπορεί να χάσετε τον έλεγχο του ηλεκτρικού εργαλείου.

ΠΡΟΣΩΠΙΚΗ ΑΣΦΑΛΕΙΑ

- Να βρίσκεστε πάντα σε εγρήγορση, να προσέχετε τι κάνετε και να χρησιμοποιείτε κοινή λογική όταν χρησιμοποιείτε ηλεκτρικά εργαλεία. Μη

χρησιμοποιείτε ηλεκτρικά εργαλεία όταν είστε κουρασμένοι ή υπό την επήρεια ναρκωτικών, αλκοόλ ή φαρμάκων. Όταν χρησιμοποιείτε ηλεκτρικά εργαλεία, μια στιγμή απροσεξίας μπορεί να προκαλέσει σοβαρό τραυματισμό.

- Χρησιμοποιείτε μέσα ατομικής προστασίας. Φοράτε πάντα προστατευτικά για τα μάτια. Η χρήση των κατάλληλων μέσων ατομικής προστασίας, όπως, μάσκας προστασίας από τη σκόνη, αντιολισθητικών παπουτσιών ασφαλείας, κράνους ή υποσπιδίων, μειώνει τον κίνδυνο τραυματισμού.
- Λαμβάνετε μέτρα για να μην ενεργοποιηθεί κατά λάθος το ηλεκτρικό εργαλείο. Βεβαιώνετε ότι ο διακόπτης βρίσκεται στη θέση απενεργοποίησης (OFF) προτού να συνδέσετε το ηλεκτρικό εργαλείο στο ρεύμα και/ή στη συστοιχία μπαταριών, ή όταν σηκώνετε ή μεταφέρετε το εργαλείο. Μη μεταφέρετε το ηλεκτρικό εργαλείο με το δάκτυλο πάνω στο διακόπτη και μη συνδέετε το ηλεκτρικό εργαλείο στην παροχή ρεύματος με ενεργοποιημένο το διακόπτη, διότι αυξάνεται ο κίνδυνος ατυχήματος.
- Προτού να ενεργοποιήσετε το ηλεκτρικό εργαλείο, αφαιρέστε κάθε εργαλείο ρύθμισης ή κλειδί. Εάν το εργαλείο ρύθμισης ή το κλειδί παραμείνει συνδεδεμένο στο περιστρεφόμενο εξάρτημα του ηλεκτρικού εργαλείου, μπορεί να προκληθεί τραυματισμός.
- Μη τεντώνετε υπερβολικά για να πραγματοποιήσετε την εργασία. Πατάτε πάντα σταθερά και διατηρείτε την ισορροπία σας. Έτσι θα ελέγχετε καλύτερα το ηλεκτρικό εργαλείο σε περίπτωση απροσδόκων καταστάσεων.
- Φοράτε κατάλληλα ρούχα. Μη φοράτε φαρδιά ρούχα ή κοσμήματα. Διατηρείτε τα μαλλιά, τα ρούχα και τα γάντια σας μακριά από κινούμενα μέρη.

Χαλαρά ρούχα, κοσμήματα ή μακριά μαλλιά μπορεί να πιαστούν στα κινούμενα μέρη.

- Εάν υπάρχει δυνατότητα σύνδεσης συσκευών απομάκρυνσης και συλλογής της σκόνης, βεβαιωθείτε ότι αυτές οι συσκευές έχουν συνδεθεί και χρησιμοποιούνται σωστά. Η χρήση συσκευών συλλογής σκόνης μπορεί να μειώσει τους κινδύνους που σχετίζονται με αυτή.
- Ακόμα κι εάν χρησιμοποιείτε συχνά ηλεκτρικά εργαλεία, μην εφησυχάζετε και μην παραβλέπετε τους βασικούς κανόνες ασφαλείας. Μια στιγμή απροσεξίας μπορεί να οδηγήσει σε σοβαρό τραυματισμό.

ΧΡΗΣΗ ΚΑΙ ΦΡΟΝΤΙΔΑ ΤΟΥ ΗΛΕΚΤΡΙΚΟΥ ΕΡΓΑΛΕΙΟΥ

- Μην ζορίζετε το ηλεκτρικό εργαλείο. Χρησιμοποιήστε το κατάλληλο ηλεκτρικό εργαλείο για την εκάστοτε εργασία. Η εργασία θα πραγματοποιηθεί καλύτερα και ασφαλέστερα εάν χρησιμοποιηθεί το κατάλληλο ηλεκτρικό εργαλείο και στην ταχύτητα για την οποία έχει σχεδιαστεί.
- Μην χρησιμοποιήσετε το ηλεκτρικό εργαλείο εάν δεν μπορείτε να το ενεργοποιήσετε και να το απενεργοποιήσετε από τον διακόπτη. Κάθε ηλεκτρικό εργαλείο που δεν ελέγχεται από το διακόπτη είναι επικίνδυνο και απαιτεί επισκευή.
- Αφαιρέστε τη συστοιχία μπαταριών, εφόσον είναι αποσπώμενη, από το ηλεκτρικό εργαλείο και/ή ενεργοποιήστε τυχόν συσκευή που απενεργοποιεί την μπαταρία, πριν από την αφαίρεση εγκλωβισμένου υλικού, την πραγματοποίηση ρυθμίσεων, την αλλαγή εξαρτημάτων, τον καθαρισμό ή την αποθήκευση ηλεκτρικών εργαλείων. Έτσι περιορίζεται ο κίνδυνος να ενεργοποιηθεί κατά λάθος το ηλεκτρικό εργαλείο.
- Αποθηκεύετε τα ηλεκτρικά εργαλεία που δεν χρησιμοποιείτε σε μέρος όπου δεν πλησιάζουν παιδιά και μην αφήνετε να χρησιμοποιηθούν από άτομα που δεν είναι εξοικειωμένα με αυτά ή με τις οδηγίες τους. Τα ηλεκτρικά εργαλεία είναι επικίνδυνα στα χέρια ατόμων που δεν έχουν εκπαιδευτεί στη χρήση τους.
- Συντηρείτε σωστά τα ηλεκτρικά εργαλεία και τα βοηθητικά τους εξαρτήματα. Ελέγχετε για κακή ευθυγράμμιση ή εμπλοκή των κινούμενων εξαρτημάτων, για σπασμένα εξαρτήματα και για κάθε άλλη κατάσταση που μπορεί να επηρεάσει τη λειτουργία του ηλεκτρικού εργαλείου. Εάν έχει υποστεί ζημιά το ηλεκτρικό εργαλείο, επισκευάστε το προτού να το χρησιμοποιήσετε. Πολλά ατυχήματα οφείλονται σε πλημμελώς συντηρημένα ηλεκτρικά εργαλεία.

- Διατηρείτε τα κοπτικά εξαρτήματα αιχμηρά και καθαρά. Τα κοπτικά εργαλεία που έχουν συντηρηθεί σωστά και διαθέτουν αιχμηρές κόψεις είναι λιγότερο πιθανό να μπλοκάρουν, ενώ είναι ευκολότερα στο χειρισμό.
- Χρησιμοποιείτε το ηλεκτρικό εργαλείο, τα εξαρτήματα, τις μύτες, κτλ., σύμφωνα με αυτές τις οδηγίες, λαμβάνοντας υπόψη τις συνθήκες εργασίας και την προς εκτέλεση εργασία. Η χρήση ενός ηλεκτρικού εργαλείου για λειτουργίες διαφορετικές από εκείνες για τις οποίες προορίζεται είναι πιθανόν να οδηγήσει σε επικίνδυνες καταστάσεις.
- Διατηρείτε τις λαβές και την επιφάνεια συγκράτησης του εργαλείου στεγνές και καθαρές, χωρίς λάδια και γράσα. Εάν γλιστρούν οι λαβές και οι επιφάνειες συγκράτησης δε θα μπορούσατε να χειριστείτε με ασφάλεια το εργαλείο, ούτε θα μπορούσατε να το ελέγχετε σε περίπτωση που προκύψει κάποια απροσδόκητη κατάσταση.
- Διατηρείτε πάντοτε τα καλώδια μακριά από την περιοχή εργασίας του ηλεκτρικού εργαλείου. Κατά τη διάρκεια της χρήσης ενδέχεται να αποκαλυφθούν κρυμμένα καλώδια, τα οποία ενδέχεται να υποστούν κατά λάθος ζημιά από το ηλεκτρικό εργαλείο.

ΧΡΗΣΗ ΚΑΙ ΦΡΟΝΤΙΔΑ ΤΟΥ ΗΛΕΚΤΡΙΚΟΥ ΕΡΓΑΛΕΙΟΥ ΜΠΑΤΑΡΙΑΣ

- Επαναφορτίζετε το ηλεκτρικό εργαλείο μόνο με το φορτιστή που ορίζεται από τον κατασκευαστή. Οι φορτιστές που είναι κατάλληλοι για κάποιο συγκεκριμένο τύπο συστοιχίας μπαταριών μπορεί να προκαλέσουν πυρκαγιά εάν χρησιμοποιηθούν με άλλον τύπο.
- Χρησιμοποιείτε το ηλεκτρικό εργαλείο μόνο με τη συγκεκριμένη συστοιχία μπαταριών που προορίζεται για αυτό. Εάν χρησιμοποιηθεί οποιαδήποτε άλλη συστοιχία μπαταριών, μπορεί να προκληθεί τραυματισμός και πυρκαγιά.
- Όταν η συστοιχία μπαταριών δε χρησιμοποιείται, φυλάσσετε τη μακριά από μεταλλικά αντικείμενα, όπως, συνδετήρες, κέρματα, κλειδιά, καρφιά, βίδες ή άλλα μικρά μεταλλικά αντικείμενα, τα οποία μπορεί να δημιουργήσουν σύνδεση μεταξύ των ακροδεκτών. Το βραχυκύκλωμα των ακροδεκτών της συστοιχίας μπαταριών μεταξύ τους ενδέχεται να προκαλέσει εγκαύματα ή πυρκαγιά.
- Σε συνθήκες κακής χρήσης, μπορεί να διαρρεύσει υγρό από τη συστοιχία μπαταριών. Αποφύγετε την επαφή με αυτό. Σε περίπτωση τυχαίας επαφής, ξεπλύνετε καλά με νερό. Εάν το υγρό έρθει σε επαφή με τα μάτια, αναζητήστε επιπλέον ιατρική βοήθεια. Το υγρό που διαρρέει από τη συστοιχία μπαταριών μπορεί να προκαλέσει ερεθισμό ή εγκαύματα.

- **Μη χρησιμοποιείτε τη συστοιχία μπαταριών ή το ηλεκτρικό εργαλείο εάν έχουν υποστεί ζημιά ή υποβληθεί σε τροποποίηση.** Οι συστοιχίες μπαταριών που έχουν υποστεί ζημιά ή τροποποιηθεί μπορεί να έχουν απρόβλεπτη συμπεριφορά και να προκληθεί πυρκαγιά, έκρηξη ή τραυματισμός.
- **Η συστοιχία μπαταριών και το ηλεκτρικό εργαλείο δεν πρέπει να εκτίθενται σε φωτιά ή υπερβολικά υψηλή θερμοκρασία.** Η έκθεση σε φωτιά ή θερμοκρασία πάνω από 100°C μπορεί να προκαλέσει έκρηξη.
- **Τηρείτε όλες τις οδηγίες σχετικά με τη φόρτιση και μη φορτίζετε τη συστοιχία μπαταριών ή το ηλεκτρικό εργαλείο εκτός του εύρους θερμοκρασίας που αναφέρεται στις οδηγίες.** Εάν η φόρτιση δε γίνει σωστά ή πραγματοποιηθεί σε θερμοκρασία εκτός του καθορισμένου εύρους, η συστοιχία μπαταριών μπορεί να υποστεί ζημιά και να αυξηθεί ο κίνδυνος πυρκαγιάς.

ΣΕΡΒΙΣ

- **Το ηλεκτρικό εργαλείο πρέπει να επισκευάζεται μόνο από πιστοποιημένο επαγγελματία, χρησιμοποιώντας μόνο πανομοιότυπα ανταλλακτικά.** Με αυτόν τον τρόπο διασφαλίζεται η ασφαλής λειτουργία του ηλεκτρικού εργαλείου.
- **Μην επιχειρήσετε ποτέ να επισκευάσετε συστοιχία μπαταριών που έχει υποστεί ζημιά.** Η συστοιχία μπαταριών πρέπει να επισκευάζεται μόνο από τον κατασκευαστή ή από εξουσιοδοτημένα κέντρα σέρβις.

⚠ ΠΡΟΕΙΔΟΠΟΙΗΣΗ! Μελετήστε όλες τις προειδοποιήσεις ασφάλειας, τις οδηγίες, τις εικόνες και τις προδιαγραφές που συνοδεύουν αυτό το ηλεκτρικό εργαλείο. Εάν δεν τηρηθούν όλες οι οδηγίες που αναφέρονται παρακάτω, μπορεί να προκληθεί ηλεκτροπληξία, φωτιά και/ή σοβαρός τραυματισμός. Φυλάξτε όλες τις προειδοποιήσεις και τις οδηγίες για μελλοντική αναφορά.

Φυλάξτε όλες τις προειδοποιήσεις και τις οδηγίες για μελλοντική αναφορά.

ΕΚΠΑΙΔΕΥΣΗ

- Διαβάστε, κατανοήστε και τηρείτε όλες τις οδηγίες που υπάρχουν πάνω στη μηχανή και μέσα στα εγχειρίδια, πριν από τη χρήση αυτού του εργαλείου. Εξοικειωθείτε με τα χειριστήρια και τη σωστή χρήση του εξοπλισμού. Μάθετε πώς να ακινητοποιείτε το εργαλείο και να αποδεσμεύετε γρήγορα τα χειριστήρια.
- Μην αφήνετε ποτέ τα παιδιά να χειριστούν τον εξοπλισμό. Μην αφήνετε ποτέ ενήλικες να χειριστούν τον εξοπλισμό χωρίς να έχουν λάβει προηγούμενως κατάλληλες οδηγίες.

- Διατηρείτε όλα τα άτομα, ειδικά τα μικρά παιδιά, μακριά από το χώρο λειτουργίας.
- Προσέχετε ώστε να μη γλιστρήσετε ή πέσετε, ειδικά όταν χειρίζεστε το εξάρτημα φτυαριού χιονιού κινούμενοι ανάποδα.

ΠΡΟΕΤΟΙΜΑΣΙΑ

- Μη χρησιμοποιείτε ποτέ τη μηχανή όταν βρίσκονται κοντά άτομα, ιδίως παιδιά ή κατοικίδια.
- Χρησιμοποιείτε προστατευτικά για τα μάτια και ανθεκτικά υποδήματα κάθε φορά που χρησιμοποιείτε τη μηχανή.
- Η απόσταση μεταξύ της μηχανής και των παριστάμενων πρέπει να είναι τουλάχιστον 15 m.
- Να μη χρησιμοποιηθεί ποτέ η μηχανή, εάν ο χειριστής είναι κουρασμένος, άρρωστος, υπό την επήρεια αλκοόλ ή άλλων ναρκωτικών ουσιών.
- Επιθεωρήστε διεξοδικά την περιοχή στην οποία πρόκειται να χρησιμοποιηθεί ο εξοπλισμός και απομακρύνετε όλα τα πατάκια, τα έλκηθρα, τις σανίδες, τα καλώδια και λοιπά ξένα αντικείμενα.
- Μη χρησιμοποιήσετε τη μηχανή χωρίς να φοράτε τα κατάλληλα χειμερινά ρούχα. Αποφεύγετε τα φαρδιά ρούχα που μπορούν να εγκλωβιστούν σε κινούμενα μέρη. Φοράτε προστατευτικά υποδήματα τα οποία στέκεστε καλύτερα σε ολισθηρές επιφάνειες.
- Φοράτε πάντοτε γυαλιά προστασίας ή ασφάλειας κατά τη διάρκεια της χρήσης, όπως και όταν διενεργείτε ρύθμιση ή επισκευή, ώστε να προφυλάσσετε τα μάτια σας από ξένα αντικείμενα που ενδέχεται να εκσφενδονιστούν από τη μηχανή.
- Χρησιμοποιείτε καλώδια επέκτασης και δοχεία σύμφωνα με τις προδιαγραφές του κατασκευαστή για όλες τις μονάδες με ηλεκτροκίνητηρες.
- Μην επιχειρείτε ποτέ οποιαδήποτε ρύθμιση ενόσω βρίσκεται σε λειτουργία ο κινητήρας (εκτός εάν αυτό συνιστάται ρητά από τον κατασκευαστή).

ΛΕΙΤΟΥΡΓΙΑ

- Μην τοποθετείτε τα χέρια ή τα πόδια κοντά σε ή κάτω από περιστρεφόμενα εξαρτήματα. Παραμένετε πάντα μακριά από το άνοιγμα απόρριψης.
- Προσέχετε ιδιαίτερα όταν λειτουργείτε τη μηχανή σε ή διασχίζοντας ιδιωτικές οδούς, μονοπάτια ή οδούς με χαλίκι. Παραμένετε σε εγρήγορση όσον αφορά κρυφούς κινδύνους και κυκλοφορία.
- Εάν χτυπήσετε κάποιο άγνωστο αντικείμενο, ακινητοποιήστε τον κινητήρα, αφαιρέστε τη συστοιχία μπαταριών, επιθεωρήστε διεξοδικά το εξάρτημα φτυαριού χιονιού για ενδεχόμενη ζημιά και επισκευάστε

την προτού να θέσετε εκ νέου σε λειτουργία ή να χρησιμοποιήσετε ξανά το εξάρτημα φτυαριού χιονιού.

- Εάν η μονάδα αρχίσει να δονείται μη φυσιολογικά, ακινητοποιήστε τον κινητήρα και αναζητήστε αμέσως την αιτία. Οι κραδασμοί αποτελούν συνήθως προειδοποίηση προβλημάτων.
- Ακινητοποιείτε τον κινητήρα κάθε φορά που απομακρύνετε από τη θέση λειτουργίας, προτού να αντιμετωπίσετε εμπλοκές στο περιβλήμα της διάταξης κοχλίας και όταν πραγματοποιείτε οποιοσδήποτε επισκευές, ρυθμίσεις ή επιθεωρήσεις.
- Να είστε ιδιαίτερα προσεκτικοί όταν χειρίζεστε τη μηχανή σε πλαγιές.
- Ποτέ μη χειρίζεστε το εξάρτημα φτυαριού χιονιού χωρίς να υπάρχουν και να λειτουργούν σωστά οι κατάλληλες καλύπτρες και λοιπές προστατευτικές διατάξεις.
- Μην κατευθύνετε ποτέ τη χοάνη αποβολής προς άτομα ή προς περιοχές όπου μπορούν να προκληθούν υλικές ζημιές. Διατηρείτε μακριά τα παιδιά και τους λοιπούς παρευρισκόμενους.
- Μην ζορίζετε τη μηχανή, προσπαθώντας να απομακρύνετε υπερβολικά γρήγορα το χιόνι.
- Μην χειρίζεστε ποτέ το εξάρτημα φτυαριού χιονιού σε υψηλές ταχύτητες μεταφοράς σε ολισθηρές επιφάνειες. Κοιτάτε πίσω σας και προσέχετε ιδιαίτερα όταν χειρίζεστε τη μηχανή κινούμενοι ανάποδα.
- Χρησιμοποιείτε μόνο προσαρτήματα και εξαρτήματα εγκεκριμένα από τον κατασκευαστή του εξαρτήματος φτυαριού χιονιού (όπως η ράβδος αποξεστήρα).
- Μη χρησιμοποιείτε το εξάρτημα φτυαριού χιονιού όταν δεν υπάρχει καλή ορατότητα ή φωτισμός. Διατηρείτε γερή πρόσφυση στο έδαφος και κρατάτε γερά τις χειρολαβές. Πάντα να περπατάτε, ποτέ μην τρέχετε.
- Η συστοιχία μπαταριών και το ηλεκτρικό εργαλείο δεν πρέπει να εκτίθενται σε φωτιά ή υπερβολικά υψηλή θερμοκρασία. Η έκθεση σε φωτιά ή θερμοκρασία πάνω από 100°C μπορεί να προκαλέσει έκρηξη.
- Να χρησιμοποιείται μόνο με τις συστοιχίες μπαταριών και τους φορτιστές που αναφέρονται στην Εικ. Β.

ΚΑΘΑΡΙΣΜΟΣ ΕΜΠΛΟΚΗΣ ΣΤΟ ΣΥΓΚΡΟΤΗΜΑ ΚΟΧΛΙΑ

Η επαφή με το χέρι με το περιστρεφόμενο συγκρότημα κοχλίας είναι η πιο κοινή αιτία τραυματισμού που σχετίζεται με το εξάρτημα φτυαριού χιονιού. Μην χρησιμοποιείτε ποτέ το χέρι σας για να καθαρίσετε το περιστρεφόμενο συγκρότημα κοχλίας.

Για να καθαρίσετε το συγκρότημα κοχλίας:

- ΑΠΕΝΕΡΓΟΠΟΙΗΣΤΕ ΤΟ ΕΡΓΑΛΕΙΟ!

- Αφαιρέστε τη συστοιχία μπαταριών από το ηλεκτρικό εργαλείο.
- Περιμένετε 10 δευτερόλεπτα για να βεβαιωθείτε ότι ο κοχλίας έχει σταματήσει να περιστρέφεται.
- Χρησιμοποιείτε πάντοτε το εργαλείο καθαρισμού κοχλίας που βρίσκεται προσαρτημένο στη μηχανή ως εξάρτημα και μη χρησιμοποιείτε το χέρι σας

ΣΥΝΤΗΡΗΣΗ ΚΑΙ ΑΠΟΘΗΚΕΥΣΗ

- Ελέγχετε όλα τα μπουλόνια ή τους σφιγκτήρες ανά τακτικά χρονικά διαστήματα ως προς το σφίξιμό τους, ώστε να είστε σίγουροι ότι ο εξοπλισμός βρίσκεται σε κατάσταση ασφαλούς λειτουργίας.
- Ανατρέχετε πάντοτε στο εγχειρίδιο χρήσης για σημαντικές λεπτομέρειες, εάν το εξάρτημα φτυαριού χιονιού πρόκειται να αποθηκευτεί για παρατεταμένο χρονικό διάστημα,
- Διατηρείτε ή αντικαθιστάτε τις ετικέτες ασφαλείας και υποδείξεων, όπως απαιτείται.
- Λειτουργήστε τη μηχανή για μερικά λεπτά, ώστε να αποφευχθεί το πάγωμα της διάταξης κοχλίας.

ΦΥΛΑΞΤΕ ΑΥΤΕΣ ΤΙΣ ΟΔΗΓΙΕΣ. Ανατρέχετε σε αυτές συχνά και χρησιμοποιήστε τις για να καθοδηγήσετε άλλους που ενδέχεται να χρησιμοποιήσουν αυτό το εργαλείο. Εάν δανείσετε αυτό το εργαλείο σε κάποιον άλλο, δανείστε και αυτές τις οδηγίες, ώστε να αποτρέψετε την εσφαλμένη χρήση του προϊόντος και τον ενδεχόμενο τραυματισμό.

ΤΕΧΝΙΚΕΣ ΠΡΟΔΙΑΓΡΑΦΕΣ

Όνομαστική τάση	56 V
Ταχύτητα χωρίς φορτίο	1420 ± 10% σ.α.λ. 1750 ± 10% σ.α.λ.
Πλάτος καθαρισμού	30 εκ.
Απόσταση ρίψης	Έως 7,5 μ.
Ύψος εισόδου	15 εκ.
Συνιστώμενη θερμοκρασία λειτουργίας	-10-10°C
Συνιστώμενη θερμοκρασία αποθήκευσης *Για τη συσκευή ΧΩΡΙΣ συστοιχία μπαταριών	-20-70°C
Βάρος	5,2 κιλά
Μετρημένη στάθμη ηχητικής ισχύος L _{WA}	98 dB(A) K=2,3 dB(A)

Στάθμη ηχητικής πίεσης στο αυτί του χειριστή L_{PA}		90 dB(A) K=2,5 dB(A)
Εγγυημένη στάθμη ηχητικής ισχύος L_{WA} (μετρημένη κατά 2000/14/EK)		100 dB(A)
Αξιολόγηση δονήσεων $a_{h,v}$:	Χειρολαβή μπροστινής υποβοήθησης	4,4 m/s ² K=1,5 m/s ²
	Πίσω χειρολαβή	3,9 m/s ² K=1,5 m/s ²

- Οι παραπάνω παράμετροι έχουν ελεγχθεί και μετρηθεί με εξοπλισμό ηλεκτρικής κεφαλής PH1400E.
- Η δηλωθείσα συνολική τιμή κραδασμών έχει μετρηθεί σύμφωνα με πρότυπη μέθοδο ελέγχου και μπορεί να χρησιμοποιηθεί για τη σύγκριση ενός εργαλείου με κάποιο άλλο.
- Η αναφερόμενη συνολική τιμή κραδασμών μπορεί να χρησιμοποιηθεί, επίσης, για προκαταρκτική αξιολόγηση έκθεσης.

ΣΗΜΕΙΩΣΗ: Οι εκπομπές κραδασμών κατά τη διάρκεια της πραγματικής χρήσης του ηλεκτρικού εργαλείου μπορεί να διαφέρουν από τη δηλωμένη τιμή στην οποία χρησιμοποιείται το εργαλείο. Για την προστασία του χειριστή, πρέπει να χρησιμοποιούνται γάντια και προστασία της ακοής στις πραγματικές συνθήκες χρήσης.

ΚΑΤΑΛΟΓΟΣ ΕΞΑΡΤΗΜΑΤΩΝ ΣΥΣΚΕΥΑΣΙΑΣ (ΕΙΚ. Α)

ΠΕΡΙΓΡΑΦΗ

ΓΝΩΡΙΣΤΕ ΤΟ ΕΞΑΡΤΗΜΑ ΦΤΥΑΡΙΟΥ ΧΙΟΝΙΟΥ (Εικ. Α)

1. Κομπι ρύθμισης εκτροπέα
2. Άξονας
3. Βίδα στεγανοποίησης
4. Βάση
5. Εκτροπέας
6. Ράβδος αποξεστήρα
7. Κοχλίας
8. Άξονας κοχλίας
9. Εξάγωνο κλειδί
10. Τερματικό πώμα

ΣΥΝΑΡΜΟΛΟΓΗΣΗ

⚠ ΠΡΟΕΙΔΟΠΟΙΗΣΗ: Σε περίπτωση που κάποια από τα εξαρτήματα έχουν υποστεί ζημιά ή λείπουν, μη χρησιμοποιήσετε το προϊόν, μέχρι να αντικατασταθούν. Η χρήση αυτού του προϊόντος με φθαρμένα ή ελλιπή εξαρτήματα μπορεί να έχει ως αποτέλεσμα σοβαρό τραυματισμό.

⚠ ΠΡΟΕΙΔΟΠΟΙΗΣΗ: Μην επιχειρήσετε να τροποποιήσετε αυτό το προϊόν ή να δημιουργήσετε εξαρτήματα που δεν συνιστώνται για χρήση με αυτό το προϊόν. Κάθε παρόμοια μετατροπή ή τροποποίηση συνιστά κακή χρήση και μπορεί να δημιουργήσει επικίνδυνες καταστάσεις με επακόλουθο τον σοβαρό τραυματισμό.

ΑΠΟΣΥΣΚΕΥΑΣΙΑ

- Επιθεωρήστε προσεκτικά το εργαλείο για να βεβαιωθείτε ότι δεν σημειώθηκε θραύση ή ζημιά κατά τη διάρκεια της αποστολής.
- Φυλάξτε τα υλικά συσκευασίας μέχρι να επιθεωρήσετε προσεκτικά και να θέσετε ικανοποιητικά σε λειτουργία το εργαλείο.

ΣΥΝΔΕΞΗ ΤΟΥ ΕΞΑΡΤΗΜΑΤΟΣ ΦΤΥΑΡΙΟΥ ΧΙΟΝΙΟΥ ΣΤΗΝ ΗΛΕΚΤΡΙΚΗ ΚΕΦΑΛΗ

Αυτό το εξάρτημα φτυαριού χιονιού έχει σχεδιαστεί για χρήση με την ηλεκτρική κεφαλή EGO PH1400E.

Βλ. ενότητα «**ΕΓΚΑΤΑΣΤΑΣΗ ΕΝΟΣ ΠΡΟΣΑΡΤΗΜΑΤΟΣ ΣΤΗΝ ΗΛΕΚΤΡΙΚΗ ΚΕΦΑΛΗ**» στο εγχειρίδιο χρήσης της ηλεκτρικής κεφαλής PH1400E.

ΑΠΟΜΑΚΡΥΝΣΗ ΤΟΥ ΠΡΟΣΑΡΤΗΜΑΤΟΣ ΑΠΟ ΤΗΝ ΗΛΕΚΤΡΙΚΗ ΚΕΦΑΛΗ

Βλ. ενότητα «**ΑΠΟΜΑΚΡΥΝΣΗ ΤΟΥ ΠΡΟΣΑΡΤΗΜΑΤΟΣ ΑΠΟ ΤΗΝ ΗΛΕΚΤΡΙΚΗ ΚΕΦΑΛΗ**» στο εγχειρίδιο χρήσης της ηλεκτρικής κεφαλής PH1400E.

ΛΕΙΤΟΥΡΓΙΑ

⚠ ΠΡΟΕΙΔΟΠΟΙΗΣΗ: Η εξοικείωσή σας με αυτό το προϊόν δε θα πρέπει να σας κάνει λιγότερο προσεκτικούς. Θυμηθείτε πως ένα κλάσμα δευτερολέπτου απροσεξίας μπορεί να προκαλέσει σοβαρό τραυματισμό.

⚠ ΠΡΟΕΙΔΟΠΟΙΗΣΗ: Φοράτε πάντοτε προστατευτικά γυαλιά ή γυαλιά ασφαλείας με πλευρική προστασία και πλήρη προστατευτική προσωπίδα κατά τη λειτουργία αυτού του προϊόντος. Στην αντίθετη περίπτωση, ενδέχεται να υπάρξει εκτόξευση αντικειμένων στα μάτια σας και άλλοι πιθανοί σοβαροί τραυματισμοί.

ΕΦΑΡΜΟΓΕΣ

Μπορείτε να χρησιμοποιήσετε αυτό το προϊόν για τους ακόλουθους σκοπούς:

- Καθαρισμός μικρών χώρων σε φωτεινές συνθήκες εργασίας, όπως αυλές, πεζοδρόμοι και γκαράζ.

ΧΡΗΣΗ ΤΟΥ ΕΞΑΡΤΗΜΑΤΟΣ ΦΥΤΑΡΙΟΥ ΧΙΟΝΙΟΥ ΜΕ ΤΗΝ ΗΛΕΚΤΡΙΚΗ ΚΕΦΑΛΗ

ΠΡΟΕΙΔΟΠΟΙΗΣΗ: Μην χρησιμοποιείτε ποτέ το εξάρτημα φυτσαριού χιονιού σε παγωμένες λίμνες, ποτάμια ή παρόμοιες επιφάνειες. Κίνδυνος θανάτου ή σοβαρού τραυματισμού σε περίπτωση που σπάσει ο πάγος.

⚠ ΠΡΟΕΙΔΟΠΟΙΗΣΗ: Μην χρησιμοποιήσετε ποτέ το εξάρτημα φυτσαριού χιονιού σε στέγη ή άλλη ασταθή επιφάνεια, γιατί αυτό μπορεί να έχει ως συνέπεια θάνατο ή σοβαρό τραυματισμό.

⚠ ΠΡΟΕΙΔΟΠΟΙΗΣΗ: Μην χρησιμοποιήσετε ποτέ το εξάρτημα φυτσαριού χιονιού σε πάγο, γιατί αυτό μπορεί να έχει ως αποτέλεσμα να γλιστρήσει ο χρήστης και πιθανώς να τραυματιστεί σοβαρά.

⚠ ΠΡΟΕΙΔΟΠΟΙΗΣΗ: Μην φοράτε φαρδία ρούχα, φουλάρια ή κοσμήματα. Μπορούν να εγκλωβιστούν στα κινούμενα μέρη και να οδηγήσουν σε θάνατο ή σοβαρό τραυματισμό.

⚠ ΠΡΟΕΙΔΟΠΟΙΗΣΗ: Ποτέ μην κατευθύνετε το εξάρτημα φυτσαριού χιονιού προς την κατεύθυνση ανθρώπων ή κατοικίδιων ζώων. Το χιόνι ή άλλα αντικείμενα που εκσφενδονίζονται μπορούν να προκαλέσουν σοβαρό ατομικό τραυματισμό.

⚠ ΠΡΟΕΙΔΟΠΟΙΗΣΗ: Διασφαλίστε ότι η περιοχή που θα καθαριστεί είναι απαλλαγμένη από πέτρες, κλαδιά, καλώδια, χαλίκια και άλλα αντικείμενα που θα μπορούσαν κατά λάθος να εκσφενδονιστούν από το εξάρτημα φυτσαριού χιονιού σε οποιαδήποτε κατεύθυνση, προκαλώντας σοβαρό τραυματισμό στο χειριστή και άλλα άτομα.

Όταν χρησιμοποιείτε το εξάρτημα φυτσαριού χιονιού, κρατάτε το εργαλείο με μια σταθερή λαβή και με τα δύο χέρια κατά τη διάρκεια του χειρισμού (Εικ. C).

- Προτού ξεκινήσετε, λαμβάνετε υπόψη την κατεύθυνση του ανέμου. Εφόσον είναι εφικτό, απομακρύνετε το χιόνι σύμφωνα με την κατεύθυνση του ανέμου, ώστε να αποφύγετε την επιστροφή του χιονιού επάνω σας λόγω ανέμου.
- Ορισμένα μέρη του εξαρτήματος φυτσαριού χιονιού μπορούν να παγώσουν υπό ακραίες καιρικές συνθήκες. Μην επιχειρήσετε να χρησιμοποιήσετε το εργαλείο με παγωμένα μέρη.

- Εάν το εργαλείο έρθει σε επαφή με οποιοδήποτε εμπόδιο κατά τη λειτουργία, σταματήστε το και αφαιρέστε τη συστοιχία μπαταριών. Ελέγξτε προσεκτικά το εργαλείο πριν το χρησιμοποιήσετε.
- Εάν το χιόνι είναι πολύ παχύ και βαθύτερο από το βάθος εκκαθάρισης, μπορεί να χρειαστούν περισσότερα από ένα περάσματα για να καθαριστεί.

Όταν τελειώσετε, αφήστε το εργαλείο να λειτουργήσει για λίγα λεπτά ώστε να απομακρυνθεί το χιόνι από τον κοχλία πριν την αποθήκευση.

ΕΝΕΡΓΟΠΟΙΗΣΗ/ΑΠΕΝΕΡΓΟΠΟΙΗΣΗ ΤΟΥ ΕΡΓΑΛΕΙΟΥ

Βλ. «ΕΝΕΡΓΟΠΟΙΗΣΗ/ΑΠΕΝΕΡΓΟΠΟΙΗΣΗ ΤΗΣ ΗΛΕΚΤΡΙΚΗΣ ΚΕΦΑΛΗΣ» στο εγχειρίδιο χρήσης της ηλεκτρικής κεφαλής RH1400E

ΚΟΥΜΠΙ ΡΥΘΜΙΣΗΣ ΕΚΤΡΟΠΕΑ (Εικ. D)

Η κατεύθυνση εκκένωσης αυτού του εξαρτήματος φυτσαριού χιονιού μπορεί να αλλάξει περιστρέφοντας το κουμπί ρύθμισης εκτροπεία αριστερά, εμπρός ή δεξιά.

Το μέγιστο εύρος ρύθμισης του κουμπιού είναι 60° (30° αριστερά ή δεξιά).

Το κουμπί θα κλειδωθεί όταν βρίσκεται στην πιο αριστερή ή πιο δεξιά θέση. Πατήστε το κουμπί και περιστρέψτε το αντίστροφα για να το ξεκλειδώσετε.

D-1	Ενδειξη κλειδώματος
D-2	Κουμπί ρύθμισης εκτροπεία

ΣΥΝΤΗΡΗΣΗ

ΓΕΝΙΚΗ ΣΥΝΤΗΡΗΣΗ

Αποφύγετε τη χρήση διαλυτών κατά τον καθαρισμό των πλαστικών εξαρτημάτων. Τα περισσότερα πλαστικά είναι ευπαθή στη χρήση διαφόρων τύπων διαλυτών του εμπορίου και καταστρέφονται από τη χρήση τους. Χρησιμοποιείτε καθαρό πανί για την απομάκρυνση βρωμιάς, σκόνης, λαδιού, γράσου, κτλ.

⚠ ΠΡΟΕΙΔΟΠΟΙΗΣΗ: Όταν καθαρίζετε το εξάρτημα φυτσαριού χιονιού, ΜΗΝ το βυθίζετε σε νερό ή άλλα υγρά.

ΤΟΠΟΘΕΤΗΣΗ ΚΑΙ ΑΠΟΣΥΝΔΕΣΗ ΤΗΣ ΡΑΒΔΟΥ ΞΥΣΤΡΑΣ

1. Απομακρύνετε τη συστοιχία μπαταριών από την ηλεκτρική κεφαλή.
2. Τοποθετήστε το εξάρτημα φυτσαριού χιονιού στο πλαίσι ή σε οποιαδήποτε άλλη βολική θέση για τη συντήρηση της ράβδου αποξέστρα.

3. Αφαιρέστε τις τέσσερις βίδες στο μπροστινό μέρος της ράβδου αποξεστήρα, καθώς και τις δύο βίδες στις δύο άκρες. Χρησιμοποιήστε ένα κασαβίδι (δεν περιλαμβάνεται) για να τις ξεβιδώσετε (Εικ. Ε & F).

E-1	Ράβδος αποξεστήρα
-----	-------------------

4. Αντικαταστήστε, εφόσον απαιτηθεί, την φθαρμένη ράβδο αποξεστήρα με μια νέα.
5. Για την επανασυναρμολόγηση, εισαγάγετε μια νέα ράβδο αποξεστήρα με τις έξι οπές ευθυγραμμισμένες, εισαγάγετε τις έξι βίδες μέσα στις οπές και ασφαλίστε τις με ένα κασαβίδι (δεν περιλαμβάνεται).

ΛΙΠΑΝΣΗ ΣΥΣΤΗΜΑΤΟΣ ΟΔΟΝΤΟΤΡΟΧΩΝ

Το σύστημα οδοντοτροχών στο κιβώτιο γραναζιών πρέπει να λιπαίνεται περιοδικά με το γράσο μειωτήρων. Ελέγχετε ανά περίπου 50 ώρες λειτουργίας τη στάθμη γράσου στο κιβώτιο γραναζιών, αφαιρώντας τη βίδα στεγανοποίησης στα πλάγια του κιβωτίου.

Εάν δεν φαίνεται γράσο στα πλάγια του μειωτήρα, ακολουθήστε τα παρακάτω βήματα για να γεμίσετε με γράσο μειωτήρων έως την ένδειξη 3/4.

Μην γεμίσετε έως πάνω στη θήκη συστήματος οδοντοτροχών.

1. Τοποθετήστε όρθιο το εξάρτημα, έτσι ώστε η βίδα στεγανοποίησης να βλέπει προς τα επάνω (Εικ. G).

G-1	Κιβώτιο γραναζιών
G-2	Βίδα στεγανοποίησης

2. Χρησιμοποιήστε το παρεχόμενο κλειδί πολλαπλών λειτουργιών για να λασκάρτε και να απομακρύνετε τη βίδα στεγανοποίησης.
3. Χρησιμοποιήστε μια σύριγγα γράσου (δεν περιλαμβάνεται) για να εισαγάγετε λίγο γράσο μέσα στην οπή βίδας. Μην υπερβείτε την ένδειξη 3/4.
4. Σφίξτε τη βίδα στεγανοποίησης μετά την έγχυση γράσου.

ΜΕΤΑΦΟΡΑ ΚΑΙ ΑΠΟΘΗΚΕΥΣΗ

- Αφαιρέστε τη συστοιχία μπαταριών από το ηλεκτρικό εργαλείο.
- Καθαρίστε σχολαστικά το εργαλείο προτού το αποθηκεύσετε.

Αποθηκεύετε το εργαλείο σε έναν στεγνό, καλά αεριζόμενο χώρο, κλειδωμένο ή σε ψηλό σημείο, εκτός εμβέλειας παιδιών. Μην αποθηκεύετε το εργαλείο επάνω ή δίπλα σε λιπάσματα, βενζίνη ή άλλες χημικές ουσίες.

Προστασία του περιβάλλοντος



Οι ηλεκτρικές συσκευές δεν πρέπει να απορρίπτονται ως σύμμεικτα αστικά απορρίμματα. Χρησιμοποιείτε ξεχωριστές εγκαταστάσεις συλλογής απορριμμάτων. Επικοινωνήστε με το δήμο σας για να μάθετε πληροφορίες για τα διαθέσιμα συστήματα συλλογής.

Εάν οι ηλεκτρικές συσκευές απορριφθούν στην ύπαιθρο ή σε χωματερές, τότε είναι πιθανό να διαρρεύσουν επικίνδυνες ουσίες στα υπόγεια ύδατα, με αποτέλεσμα να περάσουν στην τροφική αλυσίδα, προκαλώντας ζημιές στην υγεία και την φυσική σας κατάσταση.

ΑΝΤΙΜΕΤΩΠΙΣΗ ΠΡΟΒΛΗΜΑΤΩΝ

ΠΡΟΒΛΗΜΑ	ΑΙΤΙΑ	ΑΝΤΙΜΕΤΩΠΙΣΗ
Το φυτάρι χιονιού δεν ξεκινάει.	<ul style="list-style-type: none"> ■ Εξαντλημένη συστοιχία μπαταριών ■ Το κουμπί κλειδώματος ή ο διακόπτης ενεργοποίησης δεν χρησιμοποιήθηκε σωστά. ■ Η μπαταρία δεν έχει τοποθετηθεί πλήρως στο περιβλημα. 	<ul style="list-style-type: none"> ■ Φορτίστε τη συστοιχία μπαταριών. ■ Ανατρέξτε στο απόσπασμα «ΕΝΕΡΓΟΠΟΙΗΣΗ/ ΑΠΕΝΕΡΓΟΠΟΙΗΣΗ ΤΗΣ ΗΛΕΚΤΡΙΚΗΣ ΚΕΦΑΛΗΣ» στο εγχειρίδιο χρήσης της ηλεκτρικής κεφαλής RH1400E. ■ Ελέγξτε αν η μπαταρία έχει τοποθετηθεί πλήρως στο περιβλημα.
Προφανώς το μηχάνημα έχει ζημιές.	<ul style="list-style-type: none"> ■ Αφύσικη ζημιά κατά τη διάρκεια της μεταφοράς ή της χρήσης. 	<ul style="list-style-type: none"> ■ Διακόψτε τη χρήση, αποστείλετε το στο καθορισμένο κέντρο επισκευής για επισκευή.
Το φυτάρι χιονιού αφήνει μια λεπτή στρώση.	<ul style="list-style-type: none"> ■ Η ράβδος αποξεστήρα είναι φθαρμένη. 	<ul style="list-style-type: none"> ■ Αντικαταστήστε τη ράβδο αποξεστήρα.
Μη αναμενόμενος τερματισμός λειτουργίας κατά την εργασία	<ul style="list-style-type: none"> ■ Υπερφορτωμένο μηχάνημα ■ Η συστοιχία μπαταριών ή το μηχάνημα έχει υπερθερμανθεί 	<ul style="list-style-type: none"> ■ Μειώστε την ένταση φορτίου του μηχανήματος. ■ Πριν την εργασία επιτρέψτε η συστοιχία μπαταριών ή/και το εργαλείο να κρυώσουν.

ΕΓΓΥΗΣΗ

ΠΟΛΙΤΙΚΗ ΕΓΓΥΗΣΗΣ EGO

Επισκεφθείτε την ιστοσελίδα egopowerplus.com για όλους τους όρους και τις προϋποθέσεις της πολιτικής εγγύησης EGO.

TÜM TALİMATLARI OKUYUN



KULLANIM KILAVUZUNU OKUYUN

Bu üniteyi çalıştırmadan önce makineye ilişkin tüm talimatları okuyup anlayın ve bu talimatlara uyun. Makine kontrollerini ve uygun kullanım şeklini iyice öğrenin. Üniteyi durdurmayı ve kontrolleri devre dışı bırakmayı nasıl hızlıca yapabileceğinizi öğrenin.

⚠️ Artık risk! Kalp pili gibi elektronik cihazlar kullanan kişiler bu ürünü kullanmadan önce doktorlarına danışmalıdır. Elektrikli cihazların, kalp pili yakınında çalıştırılması kalp pilinde parazite veya arızaya neden olabilir.

⚠️ UYARI: Güvenliği ve güvenilirliği sağlamak için tüm onarım ve değiştirme işlemleri yetkili bir servis teknisyeni tarafından gerçekleştirilmelidir.

GÜVENLİK SEMBOLLERİ

Güvenlik sembollerinin amacı olası tehlikelere dikkatinizi çekmektir. Güvenlik sembolleri ve yanlarındaki açıklamalar özel dikkat ve anlayış göstermenizi gerektirir. Uyarı sembolleri kendi başlarına herhangi bir tehlikeyi gidermez. Sundukları talimat ve uyarılar uygun kaza önleme önlemlerinin yerine geçmez.

⚠️ UYARI: Bu aleti kullanmadan önce “TEHLİKE”, “UYARI” ve “DİKKAT” gibi tüm güvenlik uyarı ve sembollerini içeren bu Kullanım Kılavuzundaki tüm güvenlik talimatlarını okuyup anladığınızdan emin olun. Aşağıdaki talimatların tamamına uyulmaması elektrik çarpması, yangın ve/veya ciddi yaralanma ile sonuçlanabilir.

SEMBOLÜN ANLAMI

GÜVENLİK UYARISI SEMBOLÜ: TEHLİKE, UYARI veya DİKKAT anlamına gelir ve diğer semboller veya resimlerle birlikte kullanılabilir.



⚠️ UYARI: Elektrikli aletler kullanılırken yabancı nesnelere gözlerinize fırlatabilir ve bu da gözlerinize ciddi biçimde zarar verebilir. Elektrikli aleti kullanmaya başlamadan önce daima göz koruması veya yan siperleri olan koruyucu gözlük takın ve gerektiğinde tam yüz siperi kullanın. Gözlük üzerine kullanım için Wide Vision Koruyucu Maske ya da yan siperleri olan standart koruyucu gözlükleri tavsiye ederiz.

GÜVENLİK TALİMATLARI

Bu sayfada, bu ürün üzerinde görülebilecek güvenlik sembolleri gösterilmekte ve açıklanmaktadır. Makineyi monte etmeye ve kullanmaya başlamadan önce makineye ilişkin tüm talimatları okuyup anlayın ve bu talimatlara uyun.



Güvenliğinizle ilgili önlemler.



Yaralanma riskini azaltmak için kullanıcı bu ürünü kullanmadan önce kullanım kılavuzunu okumalıdır.



Bu ürünü kullanırken daima göz koruması, yan siperleri olan koruyucu gözlük ya da tam yüz maskesi takın.



Oluktaki tıkanmayı açmak için ellerinizi kullanmayın.



Ayakları dönen çarktan uzak tutun.



Bu ürünü yağmur altında kullanmayın veya yağmur yağarken dışarıda bırakmayın.



Bu ürün, yürürlükteki AB yönetmeliklerine uygundur.



Bu ürün, yürürlükteki Birleşik Krallık yasalarına uygundur.



Atık elektrikli ürünler, evsel atıklar ile birlikte bertaraf edilmemelidir. Yetkili bir geri dönüşüm merkezine teslim edilmelidir.

V Voltaj

cm Santimetre

Doğru Akım

IPX4 Su girişine karşı koruma sınıfı 4.

mm Milimetre

kg Kilogram

ELEKTRİKLİ ALETLER İÇİN GENEL GÜVENLİK UYARILARI

⚠ UYARI! Bu elektrikli alet ile birlikte verilen tüm güvenlik uyarılarını, talimatları, çizimleri ve teknik özellikleri okuyun. Aşağıdaki talimatların tamamına uyulmaması elektrik çarpması, yangın ve/veya ciddi yaralanma ile sonuçlanabilir.

TÜM UYARI VE TALİMATLARI GELECEKTE BAŞVURU AMACIYLA MUHAFAZA EDİN.

Uyarılarda geçen "elektrikli alet" terimi ile elektrik prizinden beslenen (kablolu) elektrikli alet veya şarjlı (kablesiz) elektrikli alet kastedilmektedir.

ÇALIŞMA ALANI GÜVENLİĞİ

- Çalışma alanını temiz tutun ve yeterli aydınlatma sağlayın. Karışık veya karanlık alanlar kazalara yol açar.
- Elektrikli aletleri yanıcı sıvı, gaz veya toz içeren patlayıcı ortamlarda çalıştırmayın. Elektrikli aletlerden çıkan kıvılcıklar toz veya gazları tutuşturabilir.
- Bir elektrikli aleti kullanırken çocukların ve etraftaki kişilerin aletten uzakta olduğundan emin olun. Dikkatinizin dağılması kontrolü kaybetmenize neden olabilir.

TR KİŞİSEL GÜVENLİK

- Elektrikli aletleri kullanırken daima dikkatli olun, yaptığınız işe yoğunlaşın ve sağlıklı davranın. Yorgunken, uyuşturucu, alkol veya ilaçlı bir tedavi etkisi altındayken elektrikli aleti kullanmayın. Elektrikli aletleri kullanırken bir anlık dikkatsizlik ciddi yaralanmalara yol açabilir.
- Kişisel koruyucu ekipman kullanın. Daima koruyucu gözlük takın. Koşullara uygun toz maskesi, kaymaz emniyet ayakkabıları, kask veya işitme koruması gibi koruyucu ekipman kullanılması yaralanmaları azaltır.
- Yanlışlıkla çalıştırmaktan kaçının. Aletin güç kaynağı ve/veya batarya ile bağlantısını yapmadan, kaldırmadan veya taşımadan önce açma/kapatma

düğmesinin kapalı olduğundan emin olun. Aleti, parmağınız açma kapatma düğmesinin üzerindeyken taşımak veya alet açıkken fişi prize takmak kazalara davetiye çıkarır.

- Elektrikli alete takılı herhangi bir alyan veya anahtar varsa aleti çalıştırmadan önce bunları çıkarın. Elektrikli aletin döner parçalarına takılı bir alyan veya anahtar yaralanmalara neden olabilir.
- Dengesiz bir duruşta çalışma yapmayın. Çalışma süresince ayaklarınızı sağlam basın ve dengeyi koruyun. Bu sayede beklenmedik durumlarda elektrikli alet daha iyi kontrol edilebilir.
- Uygun bir şekilde giyinin. Bol giysiler giymeyin veya takı takmayın. Saçlarınızı, elbiselerinizi ve eldivenlerinizi hareketli parçalardan uzak tutun. Bol giysiler, takılar veya uzun saçlar aletin hareketli parçalarına takılabilir.
- Toz emme ve toplama araçlarının bağlantısı için sağlanan cihazlar varsa bunların takılı olduğundan ve düzgün bir biçimde kullanıldığından emin olun. Toz tutucu cihazların kullanımı tozdan kaynaklanabilecek tehlikeleri azaltabilir.
- Aletleri sık kullanarak edindiğiniz alışkanlık rahat olmanıza ve aletin güvenlik ilkelerini göz ardı etmenize neden olmamalıdır. Dikkatsiz bir hareket, bir saniyeden daha kısa bir sürede ağır yaralanmalara neden olabilir.

ELEKTRİKLİ ALET KULLANIMI VE BAKIMI

- Elektrikli aleti zorlamayın. Yaptığınız işe uygun elektrikli aleti kullanın. Doğru elektrikli alet, tasarımı uygun değerlerde kullanıldığında daha iyi ve daha güvenli çalışır.
- Açma kapatma düğmesi çalışmıyorsa elektrikli aleti kullanmayın. Açma kapatma düğmesi ile kontrol edilemeyen bir elektrikli alet tehlikelidir ve onarılması gerekir.

- Sıkışan malzemeleri çıkarmadan, herhangi bir ayar yapmadan, aksesuarları değiştirmeden, elektrikli aletleri temizlemeden veya depolamadan önce çıkarılabiliyorsa elektrikli aletten bataryayı çıkarın ve/veya varsa bataryayı devre dışı bırakma cihazını etkinleştirin. Bu tür önleyici güvenlik önlemleri, elektrikli aletin yanlışlıkla çalışması riskini azaltır.
- Kullanılmayan elektrikli aletleri çocukların erişemeyeceği yerlerde saklayın ve elektrikli alet veya bu talimatlar hakkında bilgi sahibi olmayan kişilerin elektrikli aleti kullanmasına izin vermeyin. Elektrikli aletler eğitimsiz kullanıcıların elinde tehlikelidir.
- Elektrikli aletlere ve aksesuarlara bakım yapın. Hareketli parçaların hizalanmasının veya bağlanmasının doğru yapıldığı ve yapılmadığını, parçalarda hasar olup olmadığını ve elektrikli aletin çalışmasını etkileyebilecek tüm diğer koşulları kontrol edin. Elektrikli alet hasarlı ise kullanmadan önce onarılmasını sağlayın. Kazaların çoğu, elektrikli alet bakımının yeterli şekilde yapılmamasından kaynaklanır.
- Kesici aletleri keskin ve temiz tutun. Keskin kesim kenarlarına sahip, bakımı düzgün yapılmış kesim aletleri daha az sorun çıkarır ve kontrolü kolaydır.
- Elektrikli aleti, aksesuarlarını ve alet uçlarını vb. çalışma şartlarını ve yapılacak işi dikkate alarak bu talimatlara uygun şekilde kullanın. Elektrikli aletin kullanım amacı dışındaki işlerde kullanılması tehlikeli durumlara neden olabilir.
- Tutma saplarını ve kavrama yüzeyini kuru, temiz, benzin ve yağdan uzak tutun. Kaygan saplar ve kavrama yüzeyleri, aletin beklenmeyen durumlarda güvenli bir şekilde tutulmasına ve kontrol edilmesine izin vermez.
- Kabloları, aletin çalışma alanından uzak tutun. Çalışma sırasında kablolar gizlenmiş olabilir ve alet tarafından yanlışlıkla hasar görebilirler.

BATARYA İLE ÇALIŞAN ALETLERİNİN KULLANIMI VE BAKIMI

- Sadece üretici tarafından belirtilen şarj cihazı ile şarj edin. Bir batarya türü için uygun olan şarj cihazı, başka bir batarya ile kullanıldığında yangın riski oluşturabilir.
- Elektrikli aletleri sadece özel olarak üretilmiş bataryalarla kullanın. Başka batarya türlerinin kullanımı yaralanma ve yangın tehlikesi oluşturabilir.
- Bataryanın kullanımda olmadığı durumlarda bataryayı ataş, bozuk para, anahtar, çivi, vida veya batarya kutupları arasında kısa devre yapabilecek diğer metal nesnelere uzak tutun. Batarya kutuplarının kısa devre yapılması yangın veya yanıklara neden olabilir.

- Kötü şartlar altında bataryadan sıvı akışı olabilir; bu sıvı ile temas etmekten kaçınınız. Yanlışlıkla temas edilirse etkilenen bölgeyi su ile yıkayın. Sıvı göze temas ederse ayrıca tıbbi yardım alın. Bataryadan akan sıvı tahriş veya yanıklara neden olabilir.
- Hasarlı veya üzerinde değişiklik yapılmış bir bataryayı veya aleti kullanmayın. Hasarlı veya üzerinde değişiklik yapılmış bataryalar yangın, patlama veya yaralanma riskine neden olacak şekilde beklenmeyen davranışlar gösterebilir.
- Bataryayı veya aleti ateşe veya aşırı sıcaklıklara maruz bırakmayın. Yangın veya 100°C'nin üzerindeki sıcaklıklara maruz kalması patlamaya sebep olabilir.
- Tüm şarj talimatlarına uyun ve bataryayı veya aleti talimatlarda belirtilen sıcaklık aralığının dışındaki sıcaklıklarda şarj etmeyin. Hatalı veya belirtilen sıcaklık aralığının dışındaki sıcaklıklarda şarj etmek, bataryaya zarar verebilir ve yangın riskini artırır.

SERVİS

- Elektrikli aletin bakımını, sadece orijinal yedek parça kullanan uzman bir tamirciye yaptırın. Bu sayede elektrikli aletin emniyetinin korunmasını sağlanır.
- Asla hasarlı bataryalara bakım-onarım yapmayın. Bataryaların bakımı sadece üretici veya yetkili servisler tarafından yapılmalıdır.

⚠ UYARI! Bu elektrikli alet ile birlikte verilen tüm güvenlik uyarılarını, talimatları, çizimleri ve teknik özellikleri okuyun. Aşağıdaki talimatların tamamına uyulmaması elektrik çarpması, yangın ve/veya ciddi yaralanma ile sonuçlanabilir. Tüm uyarı ve talimatları gelecekte başvuru amacıyla muhafaza edin.

Tüm uyarı ve talimatları gelecekte başvuru amacıyla muhafaza edin.

EĞİTİM

- Bu aleti kullanmadan önce makine üzerindeki ve kılavuz(lar)daki tüm talimatları okuyup anlayın ve bu talimatlara uyun. Ekipmanın kontrollerini ve uygun kullanım şeklini iyice öğrenin. Aleti durdurmayı ve kontrolleri devre dışı bırakmayı nasıl hızlıca yapabileceğinizi öğrenin.
- Çocukların ekipmanı kullanmasına asla izin vermeyin. Uygun talimat olmaksızın yetişkinlerin kullanmasına asla izin vermeyin.
- Çalışma alanından insanları ve özellikle de küçük çocukları uzak tutun.
- Kar küreme aparatını özellikle ters yönde çalıştırırken kayma veya düşmeyi önlemek için dikkatli davranın.

HAZIRLIK

- Makineyi asla yakınızdaki başkaları, özellikle de çocuklar veya evcil hayvanlar varken kullanmayın.
- Cihazı çalıştırırken daima göz koruması ve sağlam ayakkabı kullanın.
- Makine ile çevredeki insanlar arasında en az 15 m mesafe olmalıdır.
- Makineyi asla operatör hasta veya alkol veya diğer uyuşturucuların etkisi altındayken çalıştırmayın.
- Ekipmanın kullanılacağı yüzeyi kontrol edin, tüm paspas, plaka, kablo, kızak ve diğer yabancı cisimleri kaldırın.
- Ekipmanı yeterli kışık giysiler giymeden çalıştırmayın. Hareketli parçalara sıkışabilecek bol kıyafetlerden kaçının. Kaygan yüzeylerde zeminin kayganlığında destek olacak ayakkabılar giyin.
- Çalışırken veya bir ayar ya da onarım yaparken makineden fırlayabilecek nesnelere karşı gözlerinizi korumak için her zaman koruyucu gözlük veya göz siperi takın.
- Elektrikli marş motorlarına sahip tüm üniteler için üretici tarafından belirtilen uzatma kabloları ve prizleri kullanın.
- Asla motor çalışırken herhangi bir ayar yapmayı denemeyin (üretici tarafından özellikle tavsiye edilenler hariç).

ÇALIŞTIRMA

- Ellerinizi veya ayaklarınızı dönen parçaların yakınına veya altında koymayın. Kar boşaltma ağızını her zaman açık tutun.
- Çakıl taşılı garaj girişleri, kaldırımlar veya yollarda çalışırken özellikle dikkatli olun. Görünmeyen tehlikelere veya trafığe karşı tetikte olun.
- Yabancı bir cisme çarptıktan sonra motoru durdurun, bataryayı çıkarın, kar küreme aparatında hasar olup olmadığını iyice kontrol edin ve kar küreme aparatını yeniden çalıştırmadan ve kullanmadan önce hasarı onarın.
- Ünite anormal şekilde titremeye başlarsa motoru durdurun ve hemen nedenini kontrol edin. Titreşim genellikle bir sorun olduğunu gösterir.
- Çalışma konumdan her ayrılışınızda, burgu tertibatı muhafazasındaki tikanıklığını açmadan önce ve herhangi bir onarım, ayar veya inceleme yaparken motoru durdurun.
- Eğimli yerlerde çalışırken çok dikkatli olun.
- Kar küreme aparatını, uygun koruyucular ve diğer güvenliği koruyucu cihazlar yerinde ve çalışır durumda olmadan asla çalıştırmayın.

- Boşaltma yönünü asla insanlara veya maddi hasar oluşturabilecek yerlere yönlendirmeyin. Çocukları ve başkalarını uzak tutun.
- Karı çok hızlı temizlemek için makine kapasitesine aşırı yüklenmeyin.
- Kar küreme aparatını asla kaygan yüzeylerde yüksek taşıma hızlarında çalıştırmayın. Geri geri çalışırken arkaya bakın ve dikkatli olun.
- Sadece kar küreme aparatının üreticisi tarafından onaylanan aparatları ve aksesuarları (sıyırıcı çubuk gibi) kullanın.
- Kar küreme aparatını asla iyi bir görüş veya ışık olmadan çalıştırmayın. Daima bastığınız yerden emin olun ve tutma saplarını sıkıca tutun. Yürüyün, asla koşmayın.
- Bataryayı veya aleti ateşe veya aşırı sıcaklıklara maruz bırakmayın. Ateşe veya 100°C'nin üzerindeki sıcaklıklara maruz kalması patlamaya sebep olabilir.
- Sadece şek. B'de listelenen bataryaları ve şarj cihazlarını kullanın.

TIKALI BURGU TERTİBATININ TEMİZLENMESİ

Dönen burgu tertibatıyla el teması, kar küreme aparatıyla ilişkili en yaygın yaralanma nedenidir. Dönen burgu tertibatını temizlemek için asla elinizi kullanmayın.

Burgu tertibatını temizlemek için:

- ALETİ KAPATIN!
- Bataryayı aletten çıkarın.
- Burgu tertibatının dönmeyi durdurduğundan emin olmak için 10 saniye bekleyin.
- Her zaman aksesuar olarak makineye takılan burgu temizleme aletini kullanın, elinizi kullanmayın.

BAKIM VE DEPOLAMA

- Ekipmanın güvenli çalışma koşullarında olduğundan emin olmak için tüm civataların veya bağlantı elemanlarının uygun sıkılıkla olduklarını sık sık kontrol edin.
- Kar küreme aparatı uzun süre depolanacaksa önemli ayrıntılar için daima kullanım kılavuzuna bakın.
- Gerekirse güvenlik ve talimat etiketlerine bakım yapın veya değiştirin.
- Burgu tertibatının donmasını önlemek için makineyi birkaç dakika çalıştırın.

BU TALİMATLARI SAKLAYIN. Talimatlara sık sık müracaat edin ve bu aleti kullanacak diğer kişileri bilgilendirmek için kullanın. Bu aleti başka birine ödünç verirsiniz ürünün hatalı kullanılmasını ve olası yaralanmaları önlemek için bu talimatları da ürünle birlikte verin.

TEKNİK ÖZELLİKLER

Nominal Voltaj	56 V	
Yüksüz Hız	1420±10% rpm 1750±10% rpm	
Temizleme Geniřlięi	30 cm	
Fırlatma mesafesi	7,5 m'ye kadar	
Giriř Yükseklięi	15 cm	
Önerilen Çalıřma Sıcaklıęı	-10-10°C	
Önerilen Depolama Sıcaklıęı *Batarya OLMADAN cihaz için	-20-70°C	
Aęırlık	5,2 kg	
Ölçülen ses gücü düzeyi L_{WA}	98 dB(A) K=2,3 dB(A)	
Operatörün kulaęındaki ses basıncı seviyesi L_{PA}	90 dB(A) K=2,5 dB(A)	
Garanti edilen ses gücü seviyesi L_{WA} (2000/14/EC'ye göre ölçülmüřtür)	100 dB(A)	
Titreřim deęeri a_{hv} :	Ön destek kolu	4,4 m/s ² K=1,5 m/s ²
	Arka tutma kolu	3,9 m/s ² K=1,5 m/s ²

- Yukarıdaki parametreler, PH1400E elektrikli alet bařlıęı takılı olarak test edilmiř ve ölçülmüřtür.
- Beyan edilen toplam titreřim deęeri, standart test yöntemine uygun olarak ölçülmüřtür ve bir aleti dięer bir alet ile karřılařtırmak için kullanılabilir.
- Beyan edilen toplam titreřim deęeri, maruz kalma seviyesinin ilk deęerlendirmesi için de kullanılabilir.

DİKKAT: Elektrikli aletin fiili kullanımı sırasında oluřan titreřim emisyonu deęeri aletin kullanım řekline baęlı olarak beyan edilen deęerden farklı olabilir. Operatör korunmak için fiili kullanım kořullarında eldiven ve kulak koruması takmalıdır.

AMBALAJ İÇERİĞİ (řEK. A)

AÇIKLAMA

KAR KÜREME APARATINIZI TANIYIN (řEK. A)

- Deflektör Ayar Topuzu
- Mil

- Conta Vidası
- Küreme Haznesi
- Deflektör
- Sıyırıcı Çubuk
- Burgu
- Burgu Mili
- Alyan Anahtarı
- Uç Kapak

MONTAJ

⚠ UYARI: Hasarlı veya eksik parça varsa bu parçalar deęiřtirilmeye kadar ürünü çalıřtırmayın. Bu ürünün hasarlı veya eksik parçalar ile kullanılması ciddi yaralanmalara yol açabilir.

⚠ UYARI: Bu ürün üzerinde deęiřiklik yapmaya veya bu ürünle kullanılması önerilmeyen aksesuarlar oluřtırmaya çalıřmayın. Bu tür deęiřiklikler veya modifikasyonlar hatalı kullanımdır ve ciddi yaralanmalara neden olabilen tehlikeli bir duruma sebep olabilir.

AMBALAJIN AÇILMASI

- Nakliye sırasında herhangi bir kırılma veya hasar meydana gelmedięinden emin olmak için aleti kontrol edin.
- Ürünü dikkatlice inceleyip yeterince iyi olduęunu görecek řekilde kullanana kadar ambalaj malzemelerini atmayın.

KAR KÜREME APARATININ ELEKTRİKLİ ALET BAřLIĞINA BAęLANMASI

Bu kar küreme aparatı EGO Elektrikli Alet Bařlıęı PH1400E ile kullanılmak üzere tasarlanmıřtır.

PH1400E elektrikli alet bařlıęı kullanım kılavuzunda yer alan "ELEKTRİKLİ ALET BAřLIĞINA APARAT TAKMA" bölümüne bakın.

ELEKTRİKLİ ALET BAřLIĞINDAN APARAT ÇIKARMA

PH1400E elektrikli alet bařlıęı kullanım kılavuzunda yer alan "ELEKTRİKLİ ALET BAřLIĞINDAN APARAT ÇIKARMA" bölümüne bakın.

ÇALIřTIRMA

⚠ UYARI: Bu ürüne karřı edindięiniz alışkanlıęın sizi dikkatsiz yapmasına izin vermeyin. Bir anlık dikkatsizlięin ciddi yaralanmalara sebep olabileceęini unutmayın.

⚠ UYARI: Bu ürünü kullanırken daima göz koruması, yan siperleri olan koruyucu gözlük ya da tam yüz maskesi takın. Aksi halde gözlerinize nesnelere fırlatabilir ve başka ciddi yaralanmalar oluşabilir.

KULLANIM ALANLARI

Bu ürünü aşağıdaki amaçlarla kullanabilirsiniz:

- Avlular, kaldırımlar ve garajlar gibi küçük alanların ve hafif çalışma koşullarının temizlenmesi.

KAR KÜREME APARATININ ELEKTRİKLİ ALET BAŞLIĞIYLA KULLANILMASI

⚠ UYARI: Kar küreme aparatını asla donmuş göllerde, nehirlerde veya benzeri yüzeylerde kullanmayın. Buz kırılırsa ölüm veya ciddi yaralanmalar meydana gelebilir.

⚠ UYARI: Kar küreme aparatını asla çatılarda veya diğer dengesiz yüzeylerde kullanmayın, aksi halde ölüm veya ciddi yaralanmalar meydana gelebilir.

⚠ UYARI: Kar küreme aparatını buz üzerinde kullanmayın, aksi halde operatör kayıp düşebilir ve ciddi yaralanmalar meydana gelebilir.

⚠ UYARI: Bol giysiler giymeyin veya eşarp ya da takı takmayın. Bunlar hareketli parçalara sıkışabilir ve ölüme veya ciddi yaralanmalara neden olabilirler.

⚠ UYARI: Kar küreme aparatını asla insanlara veya evcil hayvanlara doğrultmayın. Fırlayan kar veya diğer nesnelere ciddi yaralanmalara yol açabilir.

⚠ UYARI: Temizlenecek alanda kar küreme aparatı tarafından kazara fırlatılan operatörün ve başkalarının ciddi şekilde yaralanmalarına neden olabilecek taş, sopa, tel, çakıl ve diğer nesnelere bulunmadığından emin olun.

Kar küreme aparatını kullanırken aleti iki elinizle sıkıca kavrayın (Şekil C).

- Çalışmaya başlamadan önce rüzgarın yönüne dikkat edin. Mümkünse karın yüzünüze geri fırlamasını önlemek için karı rüzgarla aynı yönde boşaltın.
- Kar küreme aparatının bazı parçaları aşırı hava koşullarında donabilir. Aleti donmuş parçalarda çalıştırmayı denemeyin.
- Çalışma sırasında aletin herhangi bir engele takılması halinde aleti durdurun ve bataryayı çıkarın. Kullanmadan önce aleti dikkatlice kontrol edin.
- Kar çok kalın ve temizleme derinliği çok fazlaysa karı temizlemek için birden fazla geçiş yapmak gerekebilir.

Çalışmayı bitirdiğinizde, depolamadan önce burgudaki tüm karın temizlenmesini sağlamak için aleti birkaç dakika çalıştırın.

ALETİ ÇALIŞTIRMA/DURDURMA

Elektrikli alet başlığı PH1400E'nin kullanım kılavuzundaki "ELEKTRİKLİ ALET BAŞLIĞINI ÇALIŞTIRMA/DURDURMA" bölümüne bakın.

DEFLEKTÖR AYAR TOPUZU (Şek. D)

Bu kar küreme aparatının boşaltma yönü, deflektör ayar topuzunu sola, öne veya sağa çevirerek değiştirilebilir.

Topuzun maksimum ayar aralığı 60°'dir (sola veya sağa 30°).

Topuz, en sol veya en sağ konumdayken kilitlenin. Topuzu basın ve kilidini açmak için ters çevirin.

D-1	Kilit Göstergesi
D-2	Deflektör Ayar Topuzu

BAKIM

GENEL BAKIM

Plastik parçaları temizlerken çözücü maddeler kullanmaktan kaçının. Çoğu plastik malzeme çeşitli ticari çözücü türlerinden etkilenmeye yatkındır ve bu çözücü maddelerin kullanılması durumunda zarar görebilirler. Kir, toz, yağ, gres vb. gidermek için temiz bez kullanın.

⚠ UYARI: Kar küreme aparatını temizlerken su veya diğer sıvıların içine DALDIRMAYIN.

SIYIRICI ÇUBUĞUN TAKILMASI VE SÖKÜLMESİ

1. Bataryayı elektrikli alet başlığından çıkarın.
2. Siyirici çubuk bakımı için kar küreme aparatının yan tarafına veya başka bir uygun konuma yatırın.
3. Siyirici çubuğun önündeki dört vidayı ve her iki uçtaki iki vidayı çıkarın. Bunları sökmek için bir tornavida (ürüne dahil değildir) kullanın (Şek. E ve F).

E-1	Siyirici Çubuk
-----	----------------

4. Gerekirse aşınmış siyirici çubuğu yenisiyle değiştirin.
5. Yeniden monte etmek için altı delik hizalı olacak şekilde yeni bir siyirici çubuğu yerleştirin, altı vidayı deliklere sokun ve bir tornavida (ürüne dahil değildir) sabitleyin.

TRANSMİSYON DIŞLILERİNİN YAĞLANMASI

Dişli kutusundaki transmisyon dişlileri periyodik olarak dişi gres yağı ile yağlanmalıdır. Dişli kutusunun gres seviyesini her 50 saatlik çalışmada bir kutunun yanındaki conta vidasını sökerek kontrol edin.

Dişli kenarlarında hiçbir gres görülemezse, aşağıdaki adımları takip ederek dişliyi 3/4 kapasitesi kadar gres ile yağlayın.

Transmisyon dişli kutusunu tamamen doldurmayın.

1. Kenar küreme aparatını conta vidası yukarı bakacak şekilde dik yerleştirin (Şek. G).

G-1	Dişli Kutusu
G-2	Conta Vidası

2. Verilen çok işlevli anahtar kullanarak conta vidasını gevşetin ve sökün.
3. Vida deliğine az miktarda gres enjekte etmek için bir gres şiringası (ürüne dahil değildir) kullanın; 3/4'lük kapasiteyi aşmayın.
4. Enjeksiyondan sonra conta vidasını sıkın.

TAŞIMA VE DEPOLAMA

- Bataryayı aletten çıkarın.
- Cihazı depolamadan önce tamamen temizleyin.

Aleti çocukların ulaşamayacağı kuru, iyi havalandırılmış, kilitli veya yüksek bir yerde muhafaza edin. Aleti gübre, benzin veya diğer kimyasal maddelerin yakınında depolamayın.

Çevre koruması



Elektrikli cihazları ev atıklarıyla birlikte atmayın, ayrı toplama tesislerini kullanın. Mevcut toplama sistemleri ile ilgili bilgi almak için yerel idare ile irtibata geçin.

Elektrikli cihazlar katı atık sahaları veya çöp toplama alanlarına atılırsa, yer altı sularına ve besin zincirine tehlikeli maddeler sızabilir, bu da sağlığınızın bozulmasına yol açabilir.

SORUN GİDERME

SORUN	NEDENİ	ÇÖZÜM
Kar küreme aparatı çalışmıyor.	<ul style="list-style-type: none">■ Batarya boşalmıştır.■ Kilitleme düğmesi veya tetik düzgün kullanılmamıştır.■ Batarya yuvaya tam olarak takılmamıştır.	<ul style="list-style-type: none">■ Bataryayı şarj edin.■ PH1400E kılavuzundaki "ELEKTRİKLİ ALET BAŞLIĞININ BAŞLATILMASI/DURDURULMASI" bölümündeki talimatları uygulayın.■ Bataryanın yuvaya tam olarak yerleştirilip yerleştirilmediğini kontrol edin.
Makine belirgin şekilde hasar görmüş.	<ul style="list-style-type: none">■ Taşıma veya kullanım esnasında anormal hasar oluşmuştur.	<ul style="list-style-type: none">■ Aleti kullanmaya devam etmeyin, onarım için belirlenmiş onarım merkezine gönderin.
Kar küreme aparatı ince bir tabaka bırakıyor.	<ul style="list-style-type: none">■ Sıyırıcı çubuk aşınmıştır.	<ul style="list-style-type: none">■ Sıyırıcı çubuğu değiştirin.
Çalışırken beklenmedik şekilde kapanıyor.	<ul style="list-style-type: none">■ Makine aşırı yüklenmiştir.■ Batarya veya makine aşırı ısınmıştır.	<ul style="list-style-type: none">■ Makinenin yük yoğunluğunu azaltın.■ Çalışmadan önce bataryayı veya aleti soğutun.

GARANTİ

EGO GARANTİ POLİTİKASI

EGO Garanti Politikasına ilişkin tüm hükümler ve koşullar için lütfen egopowerplus.com adresindeki web sitemizi ziyaret edin.

LUGEGE KÕIKI JUHISEID



LUGEGE KASUTUSJUHENDIT

Enne seadme kasutamist lugege, tehke omale selgeks ja järgige kõiki seadmel ja juhendi(te)s toodud juhiseid. Tutvuge juhtseadistega ja seadme korrektse kasutamise põhimõtetega. Õppige seadet kiirelt peatama ja juhtseadiseid vabastama.

⚠️ Kaasnev risk! Inimesed, kes kasutavad elektroonilisi seadmeid, nt südamestimulaatorit, peaksid enne selle toote kasutamist konsulteerima oma arsti(de)ga. Elektriseadmete kasutamine südamestimulaatori läheduses võib põhjustada südamestimulaatori häireid või rikkeid.

⚠️ HOIATUS! Ohutuse ja töökindluse tagamiseks tohivad seda seadet remontida ainult vastava kvalifikatsiooniga hooldustehnikud.

OHUTUSSÜMBOLID

Ohutussümbolite eesmärk on pöörata tähelepanu võimalikele ohtudele. Ohutussümbolitele ja nende juures olevatele seletustele tuleb korralikult tähelepanu pöörata ja need endale selgeks teha. Ohutussümbolid iseenesest ei kõrvalda ohtu. Nendega kaasnevad juhendid ja hoiatused ei asenda asjakohaseid õnnetuste ennetamise meetmeid.

⚠️ HOIATUS! Enne käesoleva seadme kasutamist lugege kindlasti läbi ja tehke endale selgeks kõik kasutusjuhendis toodud ohutusjuhised, sh kõik ohutussümbolid nagu „OHT,” „HOIATUS,” ja „ETTEVAATUST”. Kui allpool loetletud juhiseid ei järgita, võib tagajärjeks olla elektrilöök, tulekahju ja/või tõsised isikuvigastused.

SÜMBOLITE TÄHENDUSED

OHUTUSSÜMBOL Sümboloid **OHT**, **HOIATUS**, või **ETTEVAATUST** võidakse kasutada koos teiste sümbolite või piktograafidega.



⚠️ HOIATUS! Mis tahes elektriliste tööriistade kasutamine võib põhjustada võrkehade paiskumist silma, mis võib tekitada tõsisid silmakahjustusi. Elektriliste tööriistade kasutamise ajal kandke alati kaitseprille või külgakaitsetega kaitseprille ja vajadusel täielikku näokaitset. Soovitame kanda prillide peal laia vaatealaga kaitsemaski või standardseid külgakaitsetega kaitseprille.

OHUTUSJUHISED

Sel lehel on kujutatud ja kirjeldatud ohutussümboliteid, mida võib käesolevalt tootelt leida. Enne seadme kokkupanemist ja kasutamist lugege, tehke omale selgeks ja järgige kõiki juhiseid.



Teie turvalisusega seotud ettevaatusabinõud.



Vigastuste ohu vähendamiseks peab kasutaja enne toote kasutamist kasutusjuhendit lugema.

ET



Kandke selle toote kasutamise ajal alati kaitseprille või külgakaitsetega kaitseprille ja täielikku näokaitset.



Ärge likvideerige väljalaske suunaja ummistust kätega.



Hoidke jalad pöörlevatest freesidest eemal.



Mitte kasutada vihma käes ega jätta välistingimustesse vihmajärgel.



Toode vastab kohaldatavatele EÜ direktiividele.



Toode vastab kohaldatavatele Ühendkuningriigi õigusaktidele.



Elektriseadmete jäätmeid ei tohi visata olmejäätmete hulka. Viige volitatud taaskäitleja juurde.

- V Pinge
- cm Sentimeeter
- Alalisvool

- IPX4 4. astme kaitse vee sissepääsu vastu.
- mm Millimeeter
- kg Kilogramm

ÜLDISED ELEKTRITÖÖRIISTADE HOIATUSED

⚠ HOIATUS! Lugege läbi kõik elektritööriistaga kaasas olevad hoiatused, juhised, joonised ja andmed. Alltoodud juhiste eiramine võib põhjustada elektrilööki, tulekahju ja/või tõsiseid vigastusi.

SÄILITAGE HOIATUSED JA JUHISED HILISEMAKS KASUTUSEKS.

Hoiatustes kasutatud termin "elektritööriist" viitab voolu jõul (juhtmega) töötavale elektrilisele tööriistale või aku jõul töötavale (juhtmata) elektrilisele tööriistale.

TÖÖPIIRKONNA OHUTUS

- Hoidke tööpiirkond puhas ja hästi valgustatud. Täis kuhjatud või valgustamata tööpiirkonnad võivad põhjustada õnnetusi.
- Ärge kasutage elektritööriistu plahvatusohtlikes keskkondades, näiteks kergestisüttivate vedelike, gaaside või tolmu läheduses. Elektritööriistad tekitavad sädemeid, mis võivad süüdata tolmu või aurasid.
- Elektritööriistadega töötamisel hoidke lapsed ja kõrvalised isikud eemal. Tähelepanu hajumisel võite kaotada kontrolli seadme üle.

ISIKLIK OHUTUS

- Olge tähelepanelik, töötage hoolikalt ja rakendage tervet mõistust. Ärge kasutage elektritööriista, kui olete väsinud, või ravimite, alkoholi või narkootikumide mõju all. Vaid hetkeline tähelepanematus elektritööriista kasutamisel võib põhjustada raskeid kehavigastusi.
- Kasutage isikukaitsevahendeid. Kandke alati silmakaitsevahendeid. Töötingimustele vastava kaitsevarustuse (nt tolmu maski, mittelibisevate turvajalanõude, kiivri või kuulmiskaitsevahendite) kasutamine vähendab kehavigastuste ohtu.
- Ennetage tööriista tahtmatut käivitamist. Enne tööriista vooluvõrgu ja/või akuploki ühendamist ning enne tööriista kandmist või üles tõstmist veenduge, et lüliti on mitteaktiivses asendis.

Elektritööriistade kandmine sõrme lüliti hoides või aktiivses olekus lüliti põhjustab õnnetusi.

- Enne tööriista sisselülitamist eemaldage sellelt kõik reguleerimis- ja mutrivõtmed. Elektritööriista pöörleva osa külge unustatud võtmed vms tööriistad võivad põhjustada kehavigastusi.
- Ärge küünitage liiga kaugele. Töötage ainult kindlal pinnal ja kohtades, kus pole ohtu tasakaalu kaotada. Nii säilitate ootamatutes olukordades parema kontrolli elektritööriista üle.
- Riitute asjakohaselt. Ärge kandke avaraid rõivaid ega ehteid. Vältige juuste, riiete ja kinnaste kokkupuudet liikuvate osadega. Liiga avarad riided, ehted ja pikad juuksed võivad liikuvate osade vahele kinni jääda.
- Kui tootega on kaasas vahendid tolmuärastus- ja kogumisseadmete ühendamiseks, siis veenduge, et need seadmed on korralikult ühendatud ja asjakohases kasutuses. Tolmukogumisseadmete kasutamine vähendab tolmu seotud ohtusid.
- Kui seade on teile sagedase kasutamise tulemusel harjumuspäraseks saanud, ärge laske ennast lödvaks ega ignoreerige tööriista kasutamise ohutusreegleid. Hooletuse tõttu võite saada tõsiseid vigastusi ka sekundi murdosa jooksul.

ELEKTRITÖÖRIISTA KASUTAMINE JA HOOLDUS

- Ärge rakendage elektritööriista kasutamisel jõudu. Kasutage konkreetseks tööks sobivat elektritööriista. Sobiva elektritööriistaga sobival kiirusel töötades saate töö valmis kiiresti ja ohutult.
- Ärge kasutage elektritööriista, mida ei saa lüliti sisse ega välja lülitada. Elektrilised tööriistad, mille lüliti ei tööta, on ohtlikud ja tuleb parandada.
- Eemaldage akuplokk seadme küljest (kui see on eemaldatav) ja/või aktiveerige aku lahtiühendamise seadised enne, kui alustate ummistunud materjali eemaldamist, seadme kohandamist, tarvikute vahetamist, seadme puhastamist või selle hoiustamist. Selliste ohutusmeetmete rakendamisel vähendate elektritööriista tahtmatu käivitamise võimalust.

- **Elektritööriistu, mida te hetkel ei kasuta, hoidke lastele kättesaamatus kohas ning ärge lubage nendega töötada isikute, kes pole tööriistade tööpõhimõtete või käesoleva juhendiga tutvunud.** Koolitamata isikute käes on elektritööriistad ohtlikud.
- **Hooldage nii elektritööriistu kui tarvikuid.** Kontrollige, et liikuvad komponendid on korrektselt joondatud ja ükski osa ei ole katki ning jälgige ka muid aspekte, mis võiksid elektritööriista omadusi mõjutada. Kahjustatud elektritööriista tuleb enne kasutamist parandada. Halvasti hooldatud elektritööriistad põhjustavad palju õnnetusi.
- **Hoidke oma löiketööriistad teravad ja puhtad.** Korralikult hooldatud ja teravate servadega löikevahendid ei kiilu nii kergesti kinni ja on lihtsamini kontrollitavad.
- **Kasutage elektritööriista, selle tarvikuid, tööriistaosi jm vastavalt käesolevale juhendile, võttes arvesse töötingimusi ja teostatavat tööd.** Tööriista mitte-eesmärgipärane kasutamine võib põhjustada ohtlikke olukordi.
- **Hoidke haardepind ja käepidemed kuivad, puhtad ning vältige õli ja rasva sattumist seadmele.** Libedad käepidemed ja haardepinnad takistavad seadme ohutut kasutamist ja käsitsemist ootamatutes olukordades.
- **Hoidke juhtmed seadme tööpiirkonnast eemal.** Töö ajal võivad juhtmed varjatud olla ning te võite neid seadmega kogemata kahjustada.

AKUSEADMETE KASUTAMINE JA HOOLDUS

- **Kasutage laadimiseks ainult tootja poolt ette nähtud laadijaid.** Akulaadija, mis sobib teatud tüüpi akuplokile, võib põhjustada tulekahju ohtu, kui kasutada seda mõne teise akuplokiga.
- **Kasutage elektritööriista ainult nende jaoks ette nähtud akuplokkidega.** Mõne muu akuploki kasutamine võib põhjustada vigastuste ja tulekahju ohtu.
- **Kui akut ei kasutata, hoidke seda eemal muudest metallesemetest nagu kirjaklambrid, mündid, võtmed, naelad, kruvid ja muud väikesed metallesemed, mis võivad klemmide vahel ühenduse luua.** Akuklemmide lühiühendus võib põhjustada põletushaavu ja tulekahju ohtu.
- **Valedes tingimustes kasutamisel võib akut vedelikku välja tulla; vältige kokkupuudet sellega.** Kokkupuute korral loputage veega. Kui vedelik satub silma, pöörduge lisaks ka arsti poole. Akust erituv vedelik võib põhjustada ärritust või põletusi.

- **Ärge kasutage kahjustunud või modifitseeritud akuplokki või tööriista.** Kahjustunud või modifitseeritud akud võivad toimida ettearvatult, mille tagajärjeks võib olla tulekahju, plahvatus või vigastuste oht.
- **Vältige akuploki või tööriista kokkupuudet tule või liiga kõrge temperatuuriga.** Kokkupuude lahtise tulega või temperatuuriga üle 100°C võib põhjustada plahvatus.
- **Järgige kõiki laadimisjuhiseid ja ärge laadige akuplokki või tööriista vale temperatuuri juures (vt juhiseid).** Valesti või valel temperatuuril laadimine võib kahjustada akut ja suurendada tulekahju ohtu.

HOOLDUS

- **Laske oma akutööriista hooldada kvalifitseeritud remonditehnikul, kes kasutab ainult identseid originaalvarusid.** See tagab elektritööriista ohutuse.
- **Ärge kunagi hooldage kahjustunud akuplokke.** Akuplokkide hooldust võib teostada ainult tootja või volitatud teeninduskeskus.

⚠ HOIATUS! Lugege läbi kõik elektritööriistaga kaasas olevad hoiatused, juhised, joonised ja andmed. Alltoodud juhiste eiramine võib põhjustada elektrilööki, tulekahju ja/või tõsisid vigastusi. Säilitage hoiatused ja juhised hilisemaks kasutuseks.

Säilitage hoiatused ja juhised hilisemaks kasutuseks.

KOOLITUS

- Enne seadme kasutamist lugege, tehke omale selgeks ja järgige kõiki tööriistal ja juhendi(te)s toodud juhiseid. Tutvuge juhtseadistega ja seadme korrekse kasutamise põhimõtetega. Õppige tööriista kiirelt peatama ja juhtseadiseid vabastama.
- Ärge kunagi lubage lastel seadet käsitada. Ärge kunagi lubage täiskasvanutel seadet kasutada, kui neid ei ole asjakohaselt juhendatud.
- Jälgige, et tööpiirkonnas ei viibiks kõrvalisi isikuid, eriti väikelapsi.
- Olge ettevaatlik ja vältige libastumist või kukkumist, eriti lumepuhuri tarvikuga tagurpidi liikudes.

ETTEVALMISTUS

- Ärge kasutage seadet teiste inimeste, eriti laste või loomade läheduses.
- Töö ajal kasutage alati silmade kaitsevahendeid ja tugevaid jalkanõusid.

- Vahemaa seadme ja kõrvaliste isikute vahel peab olema vähemalt 15 m.
- Seadet ei tohi kasutada, kui selle kasutaja on väsinud, haige või alkoholi või teiste ainete/ravimite mõju all.
- Enne töö alustamist kontrollige seadme tööala ja eemaldage seal uksematid, keldud, lauad, traadid, juhtmed ja muud võõrkehade.
- Ärge kasutage seadet asjakohaseid talverõivaid kandmata. Vältige avaraid riideid, mis võivad liikuvate osade vahele kinni jääda. Kandke kaitsejalatseid, mis tagavad libedatel pindadel hea haarduvuse.
- Seadme kasutamise ja kohandamise või remontimise ajal kandke alati kaitseprille või näokaitset, mis aitavad kaitsta silmi võõrkehade eest, mis seadmest paiskuda võivad.
- Kõigi elektrilise käivitusega mootorite puhul kasutage tootja soovitatud pikendusjuhtmeid ja pistikuühendusi.
- Ärge kunagi reguleerige seadet töötava mootoriga (välja arvatud juhul, kui see on tootja poolt spetsiaalselt soovitatud).

SEADME KASUTAMINE

- Ärge pange oma käsi või jalgu pöörlevate osade alla või lähedale. Hoiduge väljutusavadest kogu aeg eemale.
- Rakendage erilist ettevaatust, kui töötate või ületate kruusateid, jalgradu või autoteid. Olge tähelepanelik ja jälgige peidetud ohte ning liiklust.
- Pärast kokkupuudet võõrkehaga seisake mootor, eemaldage akuplokk, kontrollige põhjalikult lumepuhuri tarviku võimalikke kahjustusi ning enne lumepuhuri tarviku taaskäivitamist ja uuesti kasutamist remontige kahjustused.
- Kui seade peaks ebanormaalselt vibreerima hakkama, seisake mootor ja otsige koheselt vibreerimise põhjust. Vibratsioon on reeglina ohu märgiks.
- Seisake mootor alati, kui lahkute seadme juurest, enne rootori mooduli ummistuse likvideerimist ja enne mistahes remondi-, reguleerimis- või kontrollitoiminguid.
- Kallakutel töötades olge eriti ettevaatlik.
- Ärge kunagi kasutage lumepuhuri tarvikut ilma vajalike ja toimivate kaitsepiireteta või muu vajaliku turvavarustuseta.
- Ärge kunagi suunake väljalaskeava inimeste suunas või nii, et vara võib kahjustuda. Hoidke lapsed ja kõrvalseisjad eemal.
- Ärge koormake seadet üle, püüdes lund liiga kiirelt eemaldada.
- Ärge kunagi kasutage lumepuhuri tarvikut libedatel pindadel ja suurte kiiruste juures. Tagurpidi liikudes

vaadake selja taha ja olge eriti ettevaatlik.

- Kasutage ainult lumepuhuri tarviku tootja soovitatud tarvikuid ja lisaseadmeid (nt kaabitsariba).
- Ärge kunagi kasutage lumepuhuri tarvikut halva nähtavuse või valgustuse tingimustes. Töötage ainult kindlal pinnal ning hoidke käepidemetest kindlalt. Kõndige, ärge jookskke.
- Vältige akuploki või tööriista kokkupuudet tule või liiga kõrge temperatuuriga. Kokkupuude lahtise tule või temperatuuriga üle 100°C võib põhjustada plahvatuse.
- Kasutage ainult joonisel B esitatud akuplokke ja laadureid.

ROOTORI MOODULI UMMISTUSE EEMALDAMINE

Käte kokkupuude pöörleva rootoriga on kõige levinum lumepuhuri tarvikuga seotud vigastuste põhjus. Ärge kunagi puhastage rootori moodulit käega.

Rootori mooduli puhastamiseks toimige järgnevalt.

- LÜLITAGE TÖÖRIIST VÄLJA!
- Eemaldage seadmelt akuplokk.
- Oodake 10 sekundit, et rootor oleks kindlasti pöörlemise lõpetanud.
- Kasutage alati seadme komplektis olevat rootori puhastamise tööriista; ärge kunagi puhastage seda käega.

HOOLDUS JA HOIUSTAMINE

- Ohutuse ja töökorras oleku huvides kontrollige regulaarselt, et kõik poldid ja kinnitusdetailid oleksid korralikult kinni.
- Lumepuhuri tarviku pikemaks ajaks hoiustamise korral lugege olulist teavet alati kasutusjuhendist.
- Hooldage ja asendage turvakleebiseid ja juhendavaid kleebiseid vastavalt vajadusele.
- Rootori mooduli jäätumise vältimiseks laske seadmelt mõne minuti jooksul töötada.

HOIDKE NEED JUHISED ALLES. Lugege juhendit sageli ning kasutage seda tööriista kasutavate isikute väljaõpetamiseks. Kui te seadet kellelegi laenate, andke sellega kaasa ka käesolev kasutusjuhend, et vältida seadme väärkasutamist ja võimalikke vigastusi.

SPETSIFIKATSIOONID

Nimipinge	56 V	
Tühikäigu kiirus	1420±10% p/min 1750±10% p/min	
Puhastusala laius	30 cm	
Heitekaugus	Kuni 7,5 m	
Sissevõtu kõrgus	15 cm	
Soovituslik töökeskkonna temperatuur	-10-10°C	
Soovituslik hoiustamise temperatuur * ILMA akuplokita seadme jaoks	-20-70°C	
Kaal	5,2 kg	
Möödetud helivõimsuse tase L_{WA}	98 dB(A) K=2,3 dB(A)	
Helivõimsuse tase operaatori kõrva juures L_{PA}	90 dB(A) K=2,5 dB(A)	
Garanteeritud helivõimsuse tase L_{WA} (möödetud vastavalt 2000/14/EÜ)	100 dB(A)	
Vibratsiooni a_n mõõtmine:	Eesmine abikäepide	4,4 m/s ² K=1,5 m/s ²
	Tagumine käepide	3,9 m/s ² K=1,5 m/s ²

- Ülalmainitud näitajaid on testitud ja möödetud, kasutades toitepead PH1400E.
- Esitatud vibratsioonitaseme näit on möödetud standardsete testmeetodite kohaselt ja seda võib kasutada erinevate tööriistade võrdlemiseks.
- Esitatud vibratsioonitaseme näitu võib kasutada ka algse kokkupuutehinnangu andmiseks.

MÄRKUS! Tegelikul kasutamisel tekki vibratsioonitase võib esitatust erineda; turvalisuse eesmärgil peaks seadme kasutaja tegelikes kasutustingimustes kandma kindaid ja kuulmiskaitsemeid.

PAKENDI LOEND (Joon. A)

KIRJELDUS

TUNNE OMA LUMEPUHURI TARVIKUT (joon. A)

1. Väljalaske suunaja reguleerimise nupp
2. Vars
3. Kinnituskruvi

4. Sõidulaud
5. Väljalaske suunaja
6. Kaabitsariba
7. Roor
8. Rooriots
9. Kuuskantvõti
10. Otsakork

KOKKUPANEK

⚠ HOIATUS! Kui mõni osa on kahjustatud või puudub, ärge kasutage toodet enne, kui see osa on parandatud. Kasutades kahjustatud või vajalike komponentideta seadet, võite saada raskeid vigastusi.

⚠ HOIATUS! ärge üritage seadet ümber ehitada ega kasutada tarvikuid, mis pole mõeldud selle seadmega koos kasutamiseks. Kõik niisugused muudatused loetakse väärikasutuseks ja need võivad põhjustada ohtlikke olukordi, mis lõppevad raskete vigastustega.

LAHTIPAKKIMINE

- Uurige tööriista tähelepanelikult, et veenduda, et midagi pole transportimise käigus katki läinud.
- Ärge visake pakematerjali ära enne, kui olete tööriista tähelepanelikult üle kontrollinud ja selle töökorras olekus veendunud.

LUMEPUHURI TARVIKU ÜHENDAMINE TOITEPEAGA

See lumepuhuri tarvik on mõeldud kasutamiseks EGO toitepeaga PH1400E.

Lugege tööriistapea PH1400E kasutusjuhendist jaotist "TARVIKU PAIGALDAMINE TÖÖRIISTAPEA KÜLGE".

TARVIKU TOITEPEALT EEMALDAMINE

Lugege tööriistapea PH1400E kasutusjuhendist jaotist "TARVIKU EEMALDAMINE TÖÖRIISTAPEA KÜLJEST".

SEADME KASUTAMINE

⚠ HOIATUS! Ärge muutuge toodet tundma õppides hooletuks. Pidage meeles, et raskeid vigastusi põhjustavaks õnnetuseks piisab ka sekundi mürdosa pikkusest tähelepanematuses.

⚠ HOIATUS! Kandke selle toote kasutamise ajal alati kaitseprille või külgkaitsetega kaitseprille ja täielikku näokaitset. Vastasel korral võib teile midagi silma paiskuda ja võite saada ka muud laadi raskeid vigastusi.

KASUTUSEESMÄRGID

Seda toodet võib kasutada järgmistel eesmärkidel:

- väikeste alade puhastamine kergemate töötingimuste korral (näiteks sisehoovide, kõnniteede ja garaazide puhastamine).

LUMEPUHURI TARVIKU KASUTAMINE KOOS TOITEPEAGA

⚠ HOIATUS! Ärge kunagi kasutage lumepuhuri tarvikut külmutud järvedel, jõgedel või samastel pindadel. Jää purunemine võib põhjustada surma või tõsiseid vigastusi.

⚠ HOIATUS! Ärge kunagi kasutage lumepuhuri tarvikut katusel või muul ebastabiilsel pinnal, sest see võib põhjustada surma või tõsiseid vigastusi.

⚠ HOIATUS! Ärge kasutage lumepuhuri tarvikut jääs, sest seadme kasutaja võib libiseda ja kukkuda ning see võib põhjustada tõsiseid vigastusi.

⚠ HOIATUS! Ärge kandke avaraid riideid, salle või ehteid. Need võivad liikuvate osade vahele kinni jääda ja põhjustada surma või tõsiseid vigastusi.

⚠ HOIATUS! Ärge suunake lumepuhuri tarvikut inimeste või loomade suunas. Õhku heidetud lumi või esemed võivad põhjustada raskeid vigastusi.

⚠ HOIATUS! Veenduge, et puhastataval alal ei oleks kive, oksid, traate, kruusa või muid esemeid, mis võivad lumepuhuris tarvikust mistahes suunas eemale paiskuda ja tekitada tõsiseid vigastusi kasutajale ning teistele isikutele.

Lumepuhuri tarviku kasutamisel hoidke tööriista töötamise ajal mõlema käega kindla haardega (joon. C).

- Enne alustamist uurige, millises suunas tuul puhub. Võimalusel pöörake lume väljalase tulega samas suunas - nii ennetate lume näkku paiskumist.
- Mõned lumepuhuri tarviku osad võivad ekstreemsetes ilmastikutingimustes jääda. Ärge püüdke kasutada tööriista, kui selle osad on jäätunud.
- Kui tööriist puutub töötamise ajal kokku mistahes tüüpi takistustega, siis peatage see ja eemaldage akuplokk. Enne kasutamist kontrollige tööriista hoolikalt.
- Kui lumi on liiga paks ja sügavam kui puhastussügavus, tuleb puhastusalast võibolla mitu korda üle liikuda.

Kui olete lõpetanud, laske tööriistal paar minutit töötada, et kogu lumi enne hoistamist rootorist väljooks.

TÖÖRIISTA KÄIVITAMINE / SEISKAMINE

Lugege tööriistapea PH1400E kasutusjuhendist jaotist "TÖÖRIISTAPEA KÄIVITAMINE/SEISKAMINE".

VÄLJALASKE SUUNAJA REGULEERIMISE NUPP (joon. D)

Selle lumepuhuri tarviku heitesuuna muutmiseks tuleb pöörata väljalaske suunaja reguleerimise nuppu vasakule, ettepoole või paremale.

Nupu maksimaalne reguleerimisvahemik on 60° (30° vasakule või paremale).

Nupp lukustub, kui see on kõige vasakpoolsemas või parempoolsemas asendis. Nupu vabastamiseks vajutage nuppu ja pöörake seda tagurpidi.

D-1	Luku indikaator
D-2	Väljalaske suunaja reguleerimise nupp

HOOLDUS

ÜLDHOOLDUS

Vältige plastosade puhastamisel lahustite kasutamist. Enamik plastrmaterjalid on vastuvõtlikud müügil olevatest lahustitest tulenevatele kahjustustele. Kasutage mustuse, tolm, õli, määrde jms eemaldamiseks puhast lappi.

⚠ HOIATUS! Lumepuhuri tarviku puhastamisel ÄRGE pange seda vette ega ühegi teise vedeliku sisse.

KAABITSARIBA PAIGALDAMINE JA EEMALDAMINE

1. Eemaldage toitepea küljest akuplokk.
2. Kaabitsaribaga toimetamiseks asetage lumepuhuri tarvik küljele või mõnda teise mugavasse asendisse.
3. Eemaldage neli kruvi kaabitsariba eest, samuti kaks kruvi mõlemast otsast. Nende lahikeeramiseks kasutage kruvikeerajat (ei kuulu komplekti) (joon. E & F).

E-1	Kaabitsariba
-----	--------------

4. Vajadusel asendage kulunud kaabitsariba uuega.
5. Uuesti kokkupanekuks paigaldage uus kaabitsariba nii, et selle kuus auku on joondatud, sisestage kuus kruvi aukudesse ja keerake need kruvikeerajaga (ei kuulu komplekti) kinni.

ÜLEKANDESÜSTEEMI MÄÄRIMINE

ÜlekanDESüsteemi korpusel olevaid ülekanDESüsteemi osi peab regulaarselt määrima. Kontrollige ülekanDESüsteemi määrdeketast iga 50 töötunni järel, eemaldades tihenduskrvi ja korpusel külje.

Kui ülekanDESüsteemi külgedel ei ole nähtavat määret, siis järgige allpool esitatud juhiseid ning lisage ülekanDESüsteemile määrdeainet 3/4 ulatuses.

Ärge ülekandesüsteemi käigukasti täies ulatuses määrige.

1. Asetage lumepuhuri tarvik püsti nii, et kinnituskrugi oleks suunatud ülespoole (joon. G).

G-1	Käigukast
G-2	Kinnituskrugi

2. Tihenduskrugi vabastamiseks ja eemaldamiseks kasutage seadmega kaasas olevat multifunktsionaalset mutrivõtit.
3. Kasutage süstalt (ei ole kaasas), et natuke määret krugi auku pritsida, ja jälgige, et te ei ületa 3/4 mahust.
4. Pärast määrimist keerake tihenduskrugi kinni.

TRANSPORTIMINE JA HOIUSTAMINE

- Eemaldage seadmelt akuplokk.
- Enne tööriista hoiustamist puhastage see hoolikalt.

Hoidke tööriista kuivas, hästi ventileeritavas, lukustatud kohas ja kõrgel, lastele ligipääsmatus kohas. Ärge hoiustage tööriista väetiste, bensiini või muude kemikaalide peal või lähedal.

Keskkonnakaitse



Elektriseadmeid ei tohi visata sorteerimata olmeprügi hulka; selliseid jäätmeid tuleb koguda eraldi. Olemasolevate kogumissüsteemide kohta saate teavet kohalikust omavalitsusest.

Kui elektriseadmed maetakse maa sisse või viiakse prügimäele, võivad ohtlikud ained põhjavette lekkida ja toiduahelasse sattuda ning teie tervist ja heaolu kahjustada.

TÖRKEOTSING

PROBLEEM	PÕHJUS	LAHENDUS
Lumepuhur ei käivitu.	<ul style="list-style-type: none">■ Akuplokk on tühjaks saanud.■ Lukustusnupp või päästikülülit ei kasutatud õigesti.■ Aku ei ole täielikult korpusesse sisestatud.	<ul style="list-style-type: none">■ Laadige akut.■ Järgige toitepea PH1400E kasutusjuhendi jaotist „TÖÖRIISTAPEA KÄIVITAMINE/SEISKAMINE“.■ Kontrollige, kas aku on täielikult korpusesse sisestatud.
Seade on nähtavalt kahjustatud.	<ul style="list-style-type: none">■ Ebatavalised kahjustused transpordi või kasutamise ajal.	<ul style="list-style-type: none">■ Ärge jätkake seadme kasutamist. Viige see määratud remondikeskusesse remonti.
Lumepuhur jätab õhukese kihi alles.	<ul style="list-style-type: none">■ Kaabitsariba on kulunud.	<ul style="list-style-type: none">■ Vahetage kaabitsariba välja.
Seade seiskub ootamatult töö ajal.	<ul style="list-style-type: none">■ Seadme ülekoormus.■ Akuplokk või seade on ülekuumenenud.	<ul style="list-style-type: none">■ Vähendage seadme koormuse intensiivsust.■ Enne töö alustamist jahutage akuplokk või tööriist maha.

GARANTII

EGO GARANTIIPÕHIMÕTTED

Täielikud EGO garantiitingimused leiate veebilehelt egopowerplus.com.

ПРОЧИТАЙТЕ ВСІ ІНСТРУКЦІЇ!



ПРОЧИТАЙТЕ ПОСІБНИК З ЕКСПЛУАТАЦІЇ

Перед експлуатацією пристрою ознайомтеся з усіма його інструкціями та дотримуйтесь їх. Добре вивчіть елементи керування та правила належного користування інструмента. Будьте готові зупинити пристрій і швидко вимкнути органи керування.

⚠ Залишковий ризик! Люди з електронними пристроями, наприклад кардіостимуляторами, повинні проконсультуватися зі своїм лікарем (лікарями) перед використанням цього виробу. Експлуатація електрообладнання в безпосередній близькості від кардіостимулятора може спричинити перешкоди або несправність кардіостимулятора.

⚠ ПОПЕРЕДЖЕННЯ. Для гарантування безпеки та надійності всі роботи з ремонту та заміни повинен проводити кваліфікований технічний спеціаліст.

СИМВОЛИ, ЩО СТОСУЮТЬСЯ БЕЗПЕКИ

Мета символів, пов'язаних із безпекою, – привернути вашу увагу до можливих небезпек. Символи безпеки та їхнє пояснення заслуговують на вашу пильну увагу та розуміння. Символи попереджень самі по собі не усувають будь-якої небезпеки. Інструкції та попередження, які вони надають, не замінюють належних заходів щодо запобігання аваріям.

⚠ ПОПЕРЕДЖЕННЯ. Перш ніж користуватися цим інструментом, обов'язково ознайомтеся з усіма інструкціями з безпеки, наведеними в цьому посібнику користувача, зокрема з усіма символами попереджень, такими як «НЕБЕЗПЕКА», «ПОПЕРЕДЖЕННЯ» та «ЗАСТЕРЕЖЕННЯ». Недотримання наведених нижче вказівок може спричинити ураження електричним струмом, пожежу та/або серйозні травми.

ЗНАЧЕННЯ СИМВОЛУ

СИМВОЛ ПОПЕРЕДЖЕННЯ ЩОДО БЕЗПЕКИ: Вказує на НЕБЕЗПЕКУ, ПОПЕРЕДЖЕННЯ або ЗАСТЕРЕЖЕННЯ. Може використовуватися разом з іншими символами або піктограмами.



⚠ ПОПЕРЕДЖЕННЯ. Використання будь-яких електроінструментів може призвести до потраплення сторонніх предметів в очі, що може спричинити серйозне пошкодження очей. Перед початком експлуатації електроінструмента завжди надягайте закриті захисні окуляри або відкриті захисні окуляри з бічними щитами та, якщо потрібно, повнопрофільну захисну маску. Ми рекомендуємо захисну маску широкого розміру для використання поверх окулярів або стандартні відкриті захисні окуляри з бічними щитами.

ПРАВИЛА ТЕХНІКИ БЕЗПЕКИ

На цій сторінці зображено та описано символи, пов'язані з безпекою, які можуть відображатись на цьому виробі. Перш ніж намагатися зібрати та експлуатувати його, ознайомтеся з усіма інструкціями на інструменті та дотримуйтесь їх.



Запобіжні заходи, що стосуються вашої безпеки.



Щоб зменшити ризик травми, користувач повинен прочитати інструкцію користувача перед використанням цього виробу.



Працюючи з цим виробом, завжди носіть закриті захисні окуляри чи відкриті захисні окуляри з бічними щитками або повнопрофільну захисну маску.



Не чистьте жолоб руками.



Тримайте ноги подалі від робочого колеса.



Цей виріб відповідає чинним директивам ЄС.



Відходи електричних виробів не слід викидати разом із побутовим сміттям. Зверніться до авторизованого пункту переробки.

V Напруга

см Сантиметр

— Постійний струм



Не використовуйте цей пристрій у дощ і не залишайте його в дощ надворі.



Цей виріб відповідає чинному законодавству Великобританії.

IPX4 Захист від проникнення води ступеня 4.

мм Міліметр

кг Кілограм

ЗАГАЛЬНІ ПОПЕРЕДЖЕННЯ ЩОДО ТЕХНІКИ БЕЗПЕКИ РОБОТИ З ЕЛЕКТРОІНСТРУМЕНТАМИ

⚠ ПОПЕРЕДЖЕННЯ! Прочитайте всі попередження безпеки, інструкції, ілюстрації та характеристики, надані з цим електроінструментом. Недотримання наведених нижче вказівок може спричинити ураження електричним струмом, пожежу та/або серйозні травми.

ЗБЕРІГАЙТЕ ВСІ ПОПЕРЕДЖЕННЯ ТА ІНСТРУКЦІЇ ДЛЯ ВИКОРИСТАННЯ В МАЙБУТЬОМУ.

Термін «електроінструмент» у попередженнях стосується електричного інструмента, що працює від електромережі (через шнур) або від акумулятора (без шнура).

БЕЗПЕКА В РОБОЧІЙ ЗОНІ

- **Робоча зона має бути чистою й добре освітленою.** Неприбрана або погано освітлена робоча зона може стати причиною нещасного випадку.
- **Не працюйте з інструментом у вибухонебезпечному середовищі, наприклад за наявності легкозаймистих рідин, газів або пилу.** Під час роботи електроприладу утворюються іскри, від яких можуть зайнятися пил або випари.
- **Дітям і спостерігачам заборонено перебувати поруч з електроінструментом, що працює.** Це може відволікати вас і призвести до втрати контролю.

ИНДИВІДУАЛЬНА ТЕХНІКА БЕЗПЕКИ

- **Під час роботи з електроінструментом будьте уважними, слідкуйте за своїми діями та мисльте розсудливо.** Не працюйте з

електроінструментом, якщо ви втомлені або перебуваєте під дією наркотичних речовин, алкоголю або ліків. Навіть миттєва втрата пильності під час роботи з електроінструментами може стати причиною важкої травми.

- **Використовуйте засоби особистого захисту. Завжди носіть засоби захисту очей.** Використання у відповідних умовах таких захисних засобів, як протипиловий респіратор, неслизьке захисне взуття, шолом-каска і навушники допоможе зменшити ризик травмування.
- **Уникайте випадкового запуску інструмента. Перш ніж підключати електроінструмент до мережі живлення чи акумулятора, брати чи переносити його, перевірте, чи встановлено перемикач у положення «вимкнено».** Якщо переносити електроінструмент, тримаючи палець на перемикачі живлення, або підключати його до джерела живлення, коли перемикач живлення перебуває в положенні «увімкнено», це може призвести до травмування.
- **Перш ніж вмикати електроінструмент, слід зняти всі регульовальні клинці або гайкові ключі.** Якщо залишити такий ключ на рухомій частині електроінструмента, це може призвести до травмування.
- **Не дотягуйтеся. Завжди міцно стійте на ногах і втримуйте рівновагу.** Це дає змогу краще керувати електроінструментом у разі виникнення непередбачуваних ситуацій.
- **Одягайтеся належним чином. Не носіть вільний одяг або біжутерію.** Стежте за тим, щоб волосся, одяг та рукавиці не потрапили на рухомі частини. Вільний одяг, прикраси або довге волосся можуть

потрапити в рухомі частини.

- Якщо пристрої обладнано системою видалення пилу, переконайтеся, що її правильно підключено і що ви використовуєте її належним чином. Використання пристрою для збирання пилу може зменшити небезпеку, пов'язану з пилом.
- Не дозволяйте навичкам, отриманим після частого використання інструментів, змусити вас стати самовпевненими та ігнорувати принципи безпеки інструмента. Недбала дія може спричинити серйозну травму протягом доли секунди.

ВИКОРИСТАННЯ ТА ДОГЛЯД ЗА ЕЛЕКТРОІНСТРУМЕНТОМ

- Не застосовуйте силу до електроінструмента. Використовуйте належний електроінструмент відповідно до потреби. Правильно підібраний електроінструмент допоможе краще і безпечніше зробити роботу зі швидкістю, яка для неї передбачена.
- Не використовуйте електроінструмент, якщо перемикач не вмикає або не вимикає його. Усі електроінструменти, якими неможливо керувати за допомогою перемикача, становлять небезпеку й підлягають ремонту.
- Вийміть акумуляторну батарею, якщо вона знімна, з електроінструмента та/або активуйте будь-який пристрій вимикання акумулятора перед очищенням застряглого матеріалу, будь-якими регулюваннями, заміною аксесуарів, чищенням або зберіганням електроінструментів. Такі запобіжні заходи техніки безпеки зменшують ризик випадкового запуску електроінструмента.
- Зберігайте інструменти, що не використовуються, подалі від дітей і не дозволяйте особам, які не мають досвіду роботи з такими інструментами або не знайомі з цією інструкцією, користуватись електроінструментом. Електроінструменти становлять небезпеку в руках недосвідчених користувачів.
- Доглядайте за електроінструментами та аксесуарами. Перевіряйте їх на предмет розладнання чи блокування рухомих частин, а також будь-яких обставин, які можуть вплинути на роботу електроінструмента. У разі пошкодження електроінструмент слід здати в ремонт, перш ніж користуватися ним. Часто нещасні випадки трапляються внаслідок неналежного технічного обслуговування електроінструментів.
- Тримайте різучі інструменти гострими й чистими. Належним чином доглянуті різучі інструменти з гострими різучими краями рідше блокуються, і ними легше керувати;
- Користуйтесь електроінструментом, аксесуарами та насадками для інструмента згідно з цією інструкцією, зважаючи на робочі умови та роботу, яку слід виконати. Використання електроінструмента не за призначенням може стати причиною виникнення небезпечних ситуацій.
- Підтримуйте руків'я та захватні поверхні сухими, чистими, без жиру і бруду. Слизькі ручки та захватні поверхні не дають змоги безпечно тримати та керувати інструментом у непередбачених ситуаціях.
- Тримайте кабелі подалі від робочої зони інструмента. Під час роботи кабелі можуть зникнути з поля зору та випадково пошкодитись інструментом.

КОРИСТУВАННЯ І ДОГЛЯД ЗА АКУМУЛЯТОРНИМ ІНСТРУМЕНТОМ

- Заряджайте лише за допомогою зарядного пристрою, указанного виробником. Зарядний пристрій, який підходить для акумуляторів одного виду, може спричинити ризик пожежі у випадку його використання з іншим акумулятором.
- З електроінструментами слід використовувати лише призначені для них акумуляторні батареї. Використання будь-яких інших акумуляторних батарей може призвести до травми або пожежі.
- Коли батарея не використовується, її слід тримати окремо від металевих предметів – затискачів паперу, монет, ключів, цвяхів, шурупів та інших дрібних предметів, які можуть замкнути клеми. Коротке замикання клем акумулятора може стати причиною опіків чи пожежі.
- У надто важких умовах експлуатації з акумулятора може витікати рідина; не доторкайтесь до неї. Якщо випадково ви все ж торкнулися її, слід промити це місце водою. Якщо рідина потрапила в очі, слід також звернутися до лікаря. Рідина, яка виступає з акумулятора, може спричинити подразнення або опіки.
- Не використовуйте акумуляторну батарею або інструмент, які пошкоджено або змінено. Пошкоджені або змінені батареї можуть мати непередбачувану поведінку, що може спричинити пожежу, вибух або ризик травмування.
- Не надавайте акумуляторну батарею або інструмент дії вогню або високих температур.

Вогонь або температура вище 100°C може спричинити вибух.

- **Дотримуйтесь усіх інструкцій щодо заряджання та не заряджайте акумуляторну батарею або інструмент за межами температурного діапазону, зазначеного в інструкціях.** Зарядження неналежним чином або при температурах за межами вказаного діапазону може пошкодити акумулятор і збільшити ризик виникнення пожежі.

СЕРВІС

- **Обслуговування електроінструмента повинен виконувати кваліфікований ремонтник із використанням лише ідентичних запасних частин.** Це забезпечить нормальну роботу електроінструмента.
- **Ніколи не ремонтуйте пошкоджені акумулятори.** Сервісне обслуговування акумуляторних батарей має виконувати лише виробник або авторизовані постачальники послуг.

⚠ ПОПЕРЕДЖЕННЯ! Прочитайте всі попередження безпеки, інструкції, ілюстрації та характеристики, надані з цим електроінструментом. Недотримання наведених нижче вказівок може спричинити ураження електричним струмом, пожежу та/або серйозні травми. Зберігайте всі попередження та інструкції для використання у майбутньому.

Зберігайте всі попередження та інструкції для використання у майбутньому.

НАВЧАННЯ

- Перед експлуатацією інструмента ознайомтеся з усіма його інструкціями та дотримуйтесь їх. Добре вивчіть елементи керування та правила належного користування пристроєм. Будьте готові зупинити інструмент і швидко вимкнути органи керування.
- Ніколи не дозволяйте дітям працювати з обладнанням. Ніколи не дозволяйте дорослим експлуатувати обладнання без належних інструкцій.
- Стежте за тим, щоб у зоні дії не було людей, особливо маленьких дітей.
- Будьте обережні, щоб не посковзнутися і не впасти, особливо під час роботи з насадкою-снігоприбирачем заднім ходом.

ПІДГОТОВКА

- Ніколи не використовуйте прилад, якщо поблизу є люди, особливо діти, чи домашні тварини.
- Завжди одягайте засоби захисту очей і захисне взуття під час роботи з інструментом.

- Відстань між інструментом і сторонніми спостерігачами має бути не менше 15 м.
- Ніколи не працюйте з інструментом, якщо ви втомлені або перебуваєте під дією алкоголю чи інших речовин.
- Ретельно огляньте місце, де має використовуватися обладнання, і видаліть усі килимки, санчата, дошки, дроти та інші сторонні предмети.
- Не використовуйте обладнання без відповідного зимового одягу. Уникайте просторого одягу, який може потрапити в рухомі частини. Одягайте взуття, яке покращить опору на слизьких поверхнях.
- Завжди носіть відкриті або закриті захисні окуляри під час роботи та під час регулювання або ремонту для захисту очей від сторонніх предметів, які може відкинути інструмент.
- Використовуйте подовжувачі й розетки, зазначені виробником, з усіма пристроями з електростартерами.
- Ніколи не намагайтеся виконувати будь-які регулювання під час роботи двигуна (окрім випадків, коли це явно рекомендовано виробником).

ЕКСПЛУАТАЦІЯ

- Не наближуйте руки або ноги до частин, що обертаються. Тримайтеся на відстані від вивідного отвору.
- Будьте особливо обережні під час роботи на гравійних проїздах, тротуарах або дорогах. Остерігайтеся прихованих небезпек або дорожнього руху.
- Після удару об сторонній предмет зупиніть двигун, вийміть акумуляторну батарею, ретельно огляньте насадку-снігоприбирач на наявність пошкоджень і усуньте їх, перш ніж запустити та експлуатувати насадку-снігоприбирач.
- Якщо інструмент почне незвично вібрувати, вимкніть мотор і негайно виявіть причину. Вібрація зазвичай сигналізує про несправність.
- Зупиняйте двигун щоразу, коли ви залишаєте місце роботи, перед розчищенням корпусу шнекового вузла, а також під час виконанні будь-яких ремонтних робіт, регулювань або перевірок.
- Будьте надзвичайно обережні, працюючи на схилі.
- Ніколи не експлуатуйте насадку-снігоприбирач без належних запобіжників або інших захисних пристроїв.

- Ніколи не направляйте викиди на людей або ділянки, де може статися пошкодження майна Тримайте дітей та інших осіб подалі
- Не перевантажуйте інструмент, намагаючись прибрати сніг із дуже високою швидкістю.
- Ніколи не використовуйте насадку-снігоприбирач на високих швидкостях ходу на слизькій поверхні. Дивіться назад і будьте обережні під час роботи заднім ходом.
- Використовуйте тільки пристосування і аксесуари, рекомендовані виробником насадки-снігоприбирача (наприклад, шкребок).
- Ніколи не використовуйте насадку-снігоприбирач без гарної видимості або світла. Завжди впевнено стійте на ногах і міцно тримайтеся за ручки. Ходіть, не біжіть.
- Не піддавайте акумуляторну батарею або інструмент дії вогню або високих температур. Вогонь або температура вище 100°C може спричинити вибух.
- Використовуйте лише акумулятори та зарядні пристрої, перелічені на рис. В.

ОЧИЩЕННЯ ЗАСМІЧЕНОГО ВУЗЛА ШНЕКА

Контакт руки зі шнеком - найбільш часта причина травм, пов'язаних із насадкою-снігоприбирачем. Ніколи не розчищайте вузол шнека, що обертається, рукою

Для очищення вузла шнека:

- ВИМКНІТЬ ІНСТРУМЕНТ!
- Вийміть акумуляторну батарею з інструмента.
- Зачекайте 10 секунд, перш ніж переконатися, що шнек перестав обертатися.
- Завжди використовуйте інструмент для очищення шнека, прикріплений до інструмента як аксесуар, не робіть це рукою.

ТЕХНІЧНЕ ОБСЛУГОВУВАННЯ ТА ЗБЕРІГАННЯ

- Регулярно перевіряйте правильність затягування всіх болтів або кріплень, щоб переконатися, що обладнання перебуває в безпечному робочому стані.
- Для отримання докладної інформації завжди переглядайте посібник оператора, якщо насадка-снігоприбирач зберігатиметься протягом тривалого періоду часу.
- Підтримуйте або замінійте етикетки безпеки та інструкцій, якщо це необхідно.
- Запустіть інструмент через кілька хвилин, щоб запобігти замерзанню шнека в зборі.

ЗБЕРЕЖІТЬ ЦЮ ІНСТРУКЦІЮ. Часто переглядайте та використовуйте її, щоб навчати інших, хто може використовувати цей інструмент. Якщо ви надаєте комусь цей інструмент, надайте їм ці інструкції, щоб запобігти неналежному використанню виробу та можливим травмам.

ТЕХНІЧНІ ХАРАКТЕРИСТИКИ

Номінальна напруга	56 В	
Швидкість холостого ходу	1420±10% об./хв 1750±10% об./хв	
Ширина очищення	30 см	
Відстань відкидання	До 7,5 мм	
Висота впуску	15 см	
Діапазон рекомендованих робочих температур	-10...+10°C	
Діапазон рекомендованих температур зберігання *Для приладу БЕЗ акумуляторної батареї	-20...+70°C	
Вага	5,2 кг	
Вимірний рівень звукової потужності L_{WA}	98 дБ(A) K= 2,3 дБ(A)	
Рівень звукового тиску на місці вуха оператора L_{PA}	90 дБ(A) K= 2,5 дБ(A)	
Гарантований рівень звукової потужності L_{WA} (виміряно відповідно до 2000/14/EC)	100 дБ(A)	
Оцінка вібрації a_n :	Передня допоміжна ручка	4,4 м/с ² K= 1,5 м/с ²
	Задня ручка	3,9 м/с ² K= 1,5 м/с ²

- Зазначені вище параметри випробувано та виміряно з приводною головкою PH1400E.
- Вказане загальне значення вібрації виміряне за стандартним методом тестування і може використовуватися для порівняння одного інструмента з іншим;
- Заявлене сумарне значення вібрації може також використовуватись для попередньої оцінки впливу.

- **ПРИМІТКА.** Емісія вібрації під час фактичного використання електроінструмента може відрізнятися від заявленої величини, у якій використовується інструмент. Щоб захистити оператора, користувач повинен одягати рукавички та захисні навушники в реальних умовах використання.

ПАКУВАЛЬНИЙ СПИСОК (РИС. А)

ОПИС

ОЗНАЙОМЛЕННЯ З НАСАДКОЮ-СНІГОПРИБИРАЧЕМ (рис. А)

1. Ручка регулювання дефлектора
2. Вал
3. Герметичний гвинт
4. Дека
5. Дефлектор
6. Шкребок
7. Шнек
8. Вал шнека
9. Шестигранний ключ
10. Торцевий ковпачок

ЗБИРАННЯ

⚠ ПОПЕРЕДЖЕННЯ. Якщо якісь частини пошкоджені або відсутні, не користуйтеся цим інструментом, доки вони не будуть замінені. Використання цього виробу з пошкодженими або відсутніми деталями може призвести до серйозних травм.

⚠ ПОПЕРЕДЖЕННЯ. Не намагайтеся вдосконалити цей інструмент або застосувати приладдя, не рекомендоване для нього. Кожна така заміна чи переробка є фактом неправильного користування, створює небезпечні умови й загрожує серйозними травмами.

РОЗПАКУВАННЯ

- Ретельно огляньте виріб, чи немає частин, поламаних або пошкоджених під час доставки.
- Не викидайте пакувальні матеріали, доки ви уважно не оглянете інструмент і не почнете його нормально експлуатувати.

ПІД'ЄДНАННЯ НАСАДКИ-СНІГОПРИБИРАЧА ДО ПРИВODНОЇ ГОЛОВКИ

Ця насадка-снігоприбирач призначена для використання з приводною головою EGO RH1400E.

Див. розділ «УСТАНОВЛЕННЯ НАСАДКИ НА ПРИВODНУ ГОЛОВКУ» в посібнику користувача приводної головки RH1400E.

ЗНЯТТЯ НАСАДКИ З ПРИВODНОЇ ГОЛОВКИ

Див. розділ «ЗНЯТТЯ НАСАДКИ З ПРИВODНОЇ ГОЛОВКИ» в посібнику користувача приводної головки RH1400E.

ЕКСПЛУАТАЦІЯ

⚠ ПОПЕРЕДЖЕННЯ. Знання виробу не має робити вас небалим. Пам'ятайте, що півсекунди неухважності досить для серйозної травми.

⚠ ПОПЕРЕДЖЕННЯ. Працюючи з цим виробом, завжди носіть закриті захисні окуляри чи відкриті захисні окуляри з бічними щитками або повнопрофільну захисну маску. Без окулярів ви ризикуєте травмами очей від викинутих предметів та іншими серйозними травмами.

ЗАСТОСУВАННЯ

Ви можете використовувати цей виріб для цілі, зазначеної нижче:

- Очищення невеликих площ у легких умовах роботи, наприклад дворів, пішохідних доріжок і парковок.

ВИКОРИСТАННЯ НАСАДКИ-СНІГОПРИБИРАЧА З ПРИВODНОЮ ГОЛОВКОЮ

⚠ ПОПЕРЕДЖЕННЯ. Ніколи не використовуйте насадку-снігоприбирач на замерзлих озерах, річках або інших схожих поверхнях. Якщо лід проламається, це може призвести до смерті або серйозної травми.

⚠ ПОПЕРЕДЖЕННЯ. Ніколи не використовуйте насадку-снігоприбирач на даху або іншій нестійкій поверхні, це може призвести до смерті або серйозних травм.

⚠ ПОПЕРЕДЖЕННЯ. Не використовуйте насадку-снігоприбирач на льоду, оскільки оператор може посковзнутися і впасти, що може призвести до серйозних травм.

⚠ ПОПЕРЕДЖЕННЯ. Не носіть вільного одягу, шарфів або прикрас. Вони можуть потрапити в рухомі частини та стати причиною смерті або серйозних травм.

⚠ ПОПЕРЕДЖЕННЯ. Ніколи не спрямовуйте насадку-снігоприбирач у бік людей або домашніх тварин. Відкинутий сніг може призвести до серйозної травми.

⚠ ПОПЕРЕДЖЕННЯ. Переконайтеся, що на ділянці, де ви прибираєте сніг, немає каменів, палиць, проводів, гравію та інших предметів, які можуть бути випадково відкинуті насадкою-снігоприбирачем у будь-якому напрямку та призвести до серйозних травм користувача та інших осіб.

Використовуючи насадку-снігоприбирач, міцно тримайте інструмент обома руками під час роботи (рис. С).

- Зверніть увагу на напрямок вітру перед початком роботи. Коли це можливо, відкидайте сніг за напрямком вітру, щоб сніг не потрапляв вам в обличчя.
- Деякі частини насадки-снігоприбирача можуть замерзнути в екстремальних погодних умовах. Не намагайтесь експлуатувати інструмент із замерзшими частинами.
- Якщо під час роботи інструмент стикається з будь-якими перешкодами, зупиніть його і вийміть акумулятор. Перед використанням уважно перевірте інструмент.
- Якщо сніг занадто товстий і глибший, ніж глибина розчищення, для його розчищення може знадобитися більше одного проходу.

Коли закінчите, дайте інструменту попрацювати кілька хвилин, щоб весь сніг зійшов зі шнека, перш ніж прибрати його на зберігання.

ЗАПУСК/ЗУПИНКА ІНСТРУМЕНТА

Див. розділ «ЗАПУСК/ЗУПИНКА ПРИВІДНОЇ ГОЛОВКИ» в посібнику користувача приводної головки RH1400E.

РУЧКА РЕГУЛЮВАННЯ ДЕФЛЕКТОРА (рис. D)

Напрямок викидання цієї насадки-снігоприбирача можна змінити, повернувши ручку регулювання дефлектора вліво, вперед або вправо.

Максимальний діапазон регулювання ручки – 60° (30° вліво або вправо).

Ручка буде заблокована, коли вона розташована в крайньому лівому або крайньому правому положенні. Натисніть на ручку і поверніть її у зворотному напрямку, щоб розблокувати її.

D-1	Індикатор блокування
D-2	Ручка регулювання дефлектора

ОБСЛУГОВУВАННЯ

ЗАГАЛЬНИЙ ТЕХНІЧНИЙ ДОГЛЯД

Не використовуйте розчинники для очищення пластмасових деталей. Більшість пластмас чутливі до різноманітних промислових розчинників і можуть бути ними пошкоджені. Для видалення бруду, пилу, мастила тощо користуйтеся чистою ганчіркою.

⚠ ПОПЕРЕДЖЕННЯ. Під час чищення насадки-снігоприбирача НЕ занурюйте її у воду чи інші рідини.

УСТАНОВЛЕННЯ І ЗНЯТТЯ ШКРЕБКА

1. Вийміть акумуляторну батарею з приводної головки.
2. Покладіть насадку-снігоприбирач на бік або в будь-яке інше зручне положення для обслуговування шкребка.
3. Викрутіть чотири гвинти в передній частині шкребка, а також два гвинти з обох кінців. Використовуйте викрутку (не входить у комплект), щоб відкрити їх (рис. E і F).

E-1	Шкребок
-----	---------

4. За необхідності замініть зношений шкребок на новий.
5. Для збирання вставте новий шкребок, сумістивши шість отворів, вставте шість гвинтів в отвори і закріпіть їх викруткою (не входить у комплект).

ЗМАЩЕННЯ ЗУБЧАСТИХ ПЕРЕДАЧ

Зубчасті передачі в корпусі редуктора необхідно періодично змащувати трансмісійним мастилом. Перевіряйте рівень змащення корпусу редуктора приблизно кожні 50 годин роботи, знявши гвинт із гнізда на боці корпусу.

Якщо на боках редуктора не видно мастила, виконайте кроки нижче, щоб заповнити трансмісійне мастило на 3/4 ємності.

Не заповнюйте корпус редуктора повністю.

1. Поставте насадку у вертикальному положенні так, щоб ущілювальний гвинт був спрямований вгору (рис. G).

G-1	Корпус редуктора
G-2	Герметичний гвинт

2. Використовуйте багатофункціональний гайковий ключ, який входить у комплект, щоб відкрутити та зняти герметичний гвинт.
3. Використовуйте шприц для змащення (не входить у комплект), щоб влити мастило в отвір; не перевищуйте 3/4 ємності.
4. Затягніть герметичний гвинт після вливання.

ТРАНСПОРТУВАННЯ ТА ЗБЕРІГАННЯ

- Вийміть акумуляторну батарею з інструмента.
- Перед зберіганням інструмент необхідно ретельно очистити.

Зберігайте інструмент у сухому, добре вентильованому, закритому або високо розташованому недоступному для дітей місці. Не зберігайте інструмент біля мінеральних добрив, бензину та інших хімікатів.

Захист довкілля



Не викидайте електричні пристрої разом із несорттованими побутовими відходами. Використовуйте для цього пункти роздільного збирання. Для отримання інформації стосовно наявних систем збирання відходів зверніться до органів місцевої влади.

Якщо електричний пристрій утилізується на сміттєзвалищі, небезпечні речовини можуть витекти в ґрунтові води та потрапити в харчовий ланцюг, що може зашкодити вашому здоров'ю та самопочуттю.

УСУНЕННЯ НЕСПРАВНОСТЕЙ

НЕСПРАВНІСТЬ	ПРИЧИНА	ВИРІШЕННЯ
Насадка-снігоприбирач не запускається.	<ul style="list-style-type: none"> ■ Розряджений акумулятор ■ Кнопка блокування або тригерний вимикач використовувалася неправильно. ■ Акумулятор не повністю вставлено в корпус. 	<ul style="list-style-type: none"> ■ Зарядіть акумулятор. ■ Див. розділ «ЗАПУСК/ЗУПИНКА ПРИВІСНОЇ ГОЛОВКИ» в інструкції для моделі RH1400E. ■ Перевірте, чи повністю вставлено акумулятор у корпус.
Інструмент, очевидно, пошкоджено.	<ul style="list-style-type: none"> ■ Ненормальне пошкодження під час транспортування або використання. 	<ul style="list-style-type: none"> ■ Не продовжуйте використовувати інструмент, надішліть його в авторизований сервісний центр для ремонту.
Насадка-снігоприбирач залишає тонкий шар.	<ul style="list-style-type: none"> ■ Шкребок зношений. 	<ul style="list-style-type: none"> ■ Замініть шкребок.
Неочікуване вимкнення під час роботи	<ul style="list-style-type: none"> ■ Інструмент перевантажено. ■ Акумуляторна батарея або інструмент перегрівається. 	<ul style="list-style-type: none"> ■ Зменште інтенсивність навантаження на інструмент. ■ Охолодіть акумуляторну батарею або інструмент перед роботою.

ГАРАНТІЯ

ПРАВИЛА ГАРАНТІЇ EGO

Відвідайте веб-сайт egopowerplus.com для отримання повного тексту умов гарантійної політики EGO.

ПРОЧЕТЕТЕ ВСИЧКИ ИНСТРУКЦИИ



ПРОЧЕТЕТЕ РЪКОВОДСТВОТО НА ОПЕРАТОРА

Прочетете, осъзнайте и следвайте всички инструкции в това ръководство, преди работа с това устройство. Запознайте се напълно с управлението и правилната употреба на машината. Научете как да спирате устройството и да изключвате средствата за управление бързо.

⚠ Остатъчен риск! Хора с електронни устройства, като пейсмейкър трябва да се консултират с лекуващия(те) си лекар(и) преди употреба на този продукт. Работата с електрическо оборудване в непосредствена близост до сърдечен пейсмейкър може да предизвика смущение или неизправност на пейсмейкъра.

⚠ ПРЕДУПРЕЖДЕНИЕ: За да осигурите безопасността и надеждността, всички поправки и подмени трябва да се извършват от квалифициран сервизен техник.

СИМВОЛИ ЗА БЕЗОПАСНОСТ

Целта на символите за безопасност е да привлечат вниманието към възможни опасности. Символите за безопасност и обясненията към тях заслужават вашето повишено внимание и осъзнаване. Символите за безопасност сами по себе си не елиминират каквато и да е опасност. Инструкциите и предупрежденията, които предоставят не са заместители за подходящите мерки за предотвратяване на инцидент.

⚠ ПРЕДУПРЕЖДЕНИЕ: Уверете се, че сте прочели и осъзнали всички инструкции за безопасност в това Ръководство на оператора, включително всички известяващи символи за безопасност, като **“ОПАСНОСТ,”** **“ПРЕДУПРЕЖДЕНИЕ”** и **“ВНИМАНИЕ”** преди да използвате този инструмент. Неспазването на всички инструкции изброени долу може да доведе до електрически удар, пожар и/или сериозно нараняване.

ЗНАЧЕНИЕ НА СИМВОЛИТЕ

СИМВОЛ СИГНАЛИЗИРАЩ ЗА БЕЗОПАСНОСТ: Означава **ОПАСНОСТ, ПРЕДУПРЕЖДЕНИЕ ИЛИ ВНИМАНИЕ**, може да бъде използван във връзка с други символи или пиктограми.



⚠ ПРЕДУПРЕЖДЕНИЕ: Експлоатацията на всички електрически инструменти, може да доведе до изхвърляне на чужди предмети към вашите очи, което може да доведе до сериозно нараняване на очите. Преди започване на работа с електрически инструмент, винаги носете предпазни очила със странична защита и визьор за цялото лице, когато е необходимо. Ние препоръчваме предпазна маска с широк визьор за употреба над очила или стандартни предпазни очила със странична защита.

ИНСТРУКЦИИ ЗА БЕЗОПАСНОСТ

Тази страница изобразява и описва символите за безопасност, които може да се появят по този продукт. Прочетете, осъзнайте и следвайте всички инструкции по машината преди предприемане на сглобяване и работа.

BG

Предпазни мерки, които засягат Вашата безопасност.



За намаляване на опасността от нараняване, потребителят трябва да прочете ръководството на оператора преди използването на този продукт.



Винаги носете предпазни очила със странична защита и предпазен екран за цялото лице, когато работите с този продукт.



Не използвайте ръцете си за отпушване на улея.



Дръжте краката си далеч от въртящото се работно колело.



Този продукт е в съответствие с приложимите директиви на ЕС.



Отпадъчните електрически продукти не трябва да бъдат изхвърляни заедно с домакинския отпадък. Отнесете го до упълномощено място за рециклиране.

V Напрежение

cm Сантиметър

⎓ Постоянен ток



Не използвайте в дъжд или не го оставяйте навън, когато вали.



Този продукт е в съответствие с приложимото законодателство на Великобритания.

IPX4 Защита от навлизане на вода степен 4.

mm Милиметър

kg Килограм

ОБЩИ ПРЕДУПРЕЖДЕНИЯ ЗА БЕЗОПАСНОСТ НА ЕЛЕКТРИЧЕСКИ ИНСТРУМЕНТИ

⚠ ПРЕДУПРЕЖДЕНИЕ! Прочетете всички предупреждения за безопасност, инструкции, илюстрации и спецификации предоставени с този електрически инструмент. Неспазването на всички инструкции изброени долу може да доведе до токов удар, пожар и/или сериозно нараняване.

ЗАПАЗЕТЕ ВСИЧКИ ПРЕДУПРЕЖДЕНИЯ И ИНСТРУКЦИИ ЗА БЪДЕЩА СПРАВКА.

Терминът “Електрически инструмент” в предупрежденията се отнася до захранвани от мрежата (кабелни) електрически инструменти или захранвани чрез батерия (безкабелни) електрически инструменти.

БЕЗОПАСНОСТ В РАБОТНАТА ЗОНА

- **Поддържайте работната зона чиста и добре осветена.** Разхвърляни или тъмни работни зони пораждат инциденти.
- **Не работете с електрически инструменти в експлозивна атмосфера, като например в присъствието на запалими течности, газ или прах.** Електрическият инструмент създава искра, която може да възпламени праха или изпаренията.
- **Дръжте на разстояние децата и страничните лица, докато работите с електрически инструмент.** Разсейването може да причини загуба на контрол.

ЛИЧНА БЕЗОПАСНОСТ

- **Внимавайте, гледайте какво правите и използвайте здрав разум, когато работите**

с електрически инструмент. **Не използвайте електрически инструмент, когато сте уморени или когато сте под влияние на наркотици, алкохол или лекарства.** Момент невнимание по време на работата с електрически инструмент, може да доведе до сериозно лично нараняване.

- **Използвайте лични предпазни средства. Винаги носете защита за очите.** Защитно оборудване като прахови маски, не плъзгащи се безопасно обувки, твърда каска или защита за слуха използвана при подходящи условия ще намали риска от лични наранявания.
- **Предотвратете непреднамерено пускане. Уверете се, че ключът е в изключена позиция, преди да свържете към захранване и/или батерия, повдигайки или носейки инструмента.** Носейки инструмента, докато пръстът ви е на спусъка или подаването на захранване на инструменти, които са с включен прекъсвач е предпоставка за инциденти.
- **Издадете всеки регулиращ ключ или гаечен ключ, преди да включите захранването.** Гаечен или друг ключ оставен закачен към въртящите се части на електрическия инструмент, може да доведе до лично нараняване.
- **Не се протягайте. Запазете правилна стойка и баланс по всяко време.** Това позволява по-добър контрол върху електрическия инструмент в непредвидени ситуации.
- **Облечете се подходящо. Не носете свободни дрехи или накити. Дръжте косата, дрехите и ръкавиците далеч от движещи се части.** Отпуснати дрехи, бижута или дълга коса, могат да бъдат хванати в движещите се части.

- Ако са предоставени устройства за свързване на прахуловител или съоръжения за събиране, уверете се, че те са свързани и са правилно използвани. Употребата на устройства за прах може да намали рисковете свързани с прах.
- Не позволявайте на рутинността придобита от честата употреба на инструмента да позволи да станете небрежни и да игнорирате принципите за безопасност на инструмента. Небрежно действие може да причини сериозно нараняване за части от секундата.

УПОТРЕБА И ГРИЖА ЗА ЕЛЕКТРИЧЕСКИЯ ИНСТРУМЕНТ

- Не пресилвайте електрически инструмент. Използвайте правилния електрически инструмент за вашата работа. Правилният електрически инструмент ще свърши работата по-добре и по-безопасно при капацитета за който е проектиран.
- Не използвайте електрическия инструмент ако ключът не го включва или изключва. Всеки електрически инструмент, който не може да бъде контролиран от ключа е опасен и трябва да бъде поправен.
- Премахнете акумулаторната батерия, ако е изваждаща се, от електроинструмента и/или активирайте устройство за изключване на батерията, преди да почистите заседнал материал, да извършвате каквито и да било настройки, да сменяте аксесоари, да почиствате или прибирате електроинструменти. Подобни превантивни мерки за безопасност намаляват риска от стартиране на инструмента инцидентно.
- Дръжте свободния електрически инструмент извън достъпа до деца и не позволявайте хора, които не са запознати с електрическия инструмент или тези инструкции да работят с него. Електрическите инструменти са опасни в ръцете на необучени потребители.
- Поддръжка на електрически инструменти и аксесоари. Проверете за разместване или блокиране на подвижни части, счупване на части, и всякакви други условия, които могат да повлияят на работата на електрическия инструмент. При повреда ремонтирайте инструмента преди употреба. Много инциденти са причинени от лошо поддържани електрически инструменти.
- Дръжте режещите инструменти остри и чисти. Правилно поддържани режещи инструменти, с остри

режещи ръбове е по-малко вероятно да се заклещат и по-лесно се контролират.

- Използвайте електрическия инструмент, аксесоарите, частите на инструмента и т.н в съответствие с тези инструкции, като вземете предвид условията на работа и вида работа, която ще бъде извършвана. Употребата на електрическия инструмент за дейности различни от предназначенияте може да доведе до опасни ситуации.
- Дръжте ръкохватките и местата за захващане сухи, чисти и без масло и грес. Хлъзгавите ръкохватки и места за захващане не позволяват безопасно боравене и контролиране на инструмента при неочаквана ситуация.
- Дръжте кабелите далеч от работната зона на инструмента. По време на работа кабелите може да са скрити от погледа ви и да бъдат срязани инцидентно от инструмента.

УПОТРЕБА И ГРИЖА ЗА ИНСТРУМЕНТ С БАТЕРИЯ

- Презареждайте само със зарядното устройство определено от производителя. Зарядно устройство, което е подходящо за един вид акумулаторна батерия може да създаде опасност от пожар, когато се използва с друга акумулаторна батерия.
- Използвайте електрически инструменти само със специфично обозначени акумулаторни батерии. Използването на всяка друга акумулаторна батерия може да създаде риск от нараняване и пожар.
- Когато акумулаторните батерии не са в употреба ги дръжте на разстояние от други метални обекти, като кламери, монети, ключове, пирони, отвертки или други малки метални предмети, които могат да направят свързване между клемите. Свързване на късо на клемите на батерията може да причини изгаряне или пожар.
- При условия на злоупотреба, може да се изхвърли течност от батерията. Избягвайте контакт. В случай на инцидентен контакт измийте с вода. Ако течността влезе в контакт с очите, потърсете допълнително медицинска помощ. Течността изхвърлена от батерията може да причини раздразнение или изгаряния.
- Не използвайте акумулаторна батерия или инструмент, които са повредени или модифицирани. Повредените или модифицираните батерии може да проявят непредсказуемо поведение, което да доведе до пожар, експлозия или риск от нараняване.

- **Не излагайте батерията или инструмента на огън или прекомерна температура.** Излагането на огън или температура над 100°C може да предизвика експлозия.
- **Следвайте всички инструкции за зареждане и не зареждайте батерията или инструмента извън температурния обхват зададен в инструкциите.** Неправилното зареждане или зареждане извън определения температурен обхват може да повреди батерията и да повиши риска от пожар.

ОБСЛУЖВАНЕ

- **Обслужвайте вашия електрически инструмент чрез квалифициран техник, като използвате само идентични резервни части.** Това ще осигури поддържането на безопасност не електрическия инструмент.
- **Никога не поправяйте повредени акумулаторни батерии.** Ремонтът на акумулаторни батерии трябва да бъде извършван от производителя или оторизиран сервиз.

⚠ ПРЕДУПРЕЖДЕНИЕ! Прочетете всички предупреждения за безопасност, инструкции, илюстрации и спецификации предоставени с този електрически инструмент. Неспазването на всички инструкции изброени долу може да доведе до токов удар, пожар и/или сериозно нараняване. Запазете всички предупреждения и инструкции за бъдеща справка.

Запазете всички предупреждения и инструкции за бъдеща справка.

ОБУЧЕНИЕ

- Прочетете, осъзнайте и следвайте всички инструкции в това (тези) ръководство(а), преди работа с този инструмент. Запознайте се напълно с управлението и правилната употреба на оборудването. Научете как да спирате инструмента и да изключвате средствата за управление бързо.
- Никога не позволявайте на деца да работят с оборудването. Не позволявайте на възрастни да работят с оборудването без подходящо инструктиране.
- Поддържайте работната зона свободна от всички хора, особено малки деца.
- Бъдете внимателни за предотвратяване на подхлъзване или падане, особено когато работите с приставката лопата за сняг на заден ход.

ПОДГОТОВКА

- Никога не работете с машината, докато в близост има хора, особено деца или домашни любимци.
- Носете защита за очите и подсилене обувки по всяко време докато работите с машината.
- Разстоянието между машината и околните хора трябва да бъде минимум 15 м.
- Не използвайте никога машината, когато операторът е уморен, болен или под влияние на алкохол или други упойващи средства.
- Инспектирайте старателно зоната, където ще бъде използвано оборудването и премахнете всички постелки за врати, шейни, дъски, жици и други чужди предмети.
- Не работете с оборудването без да носите подходящо зимно облекло. Избягвайте свободното облекло, което може да бъде захванато от движещи се части. Носете защитни обувки, които ще подобрят стабилността Ви по хлъзгави повърхности.
- Винаги носете предпазни очила по време на работа и по време на настройки и ремонт, за да защитите очите си от предмети, които могат да бъдат изхвърлени от машината.
- Използвайте удължителни кабели и контакти съгласно указанията на производителя за всички устройства с електромотори.
- Никога не се опитвайте да правите някаква настройка, докато двигателят работи (освен ако конкретно не е препоръчано от производителя).

ЕКСПЛОАТАЦИЯ

- Не поставяйте ръцете или краката си в близост или под въртящите се части. Пазете се от изпускателния отвор през цялото време.
- Бъдете изключително внимателни, когато работите на или пресичате алеи, пътеки или пътища с чакъл. Внимавайте за внезапни опасности или за уличното движение.
- След като ударите чужд предмет, спрете двигателя, извадете батерията, щателно проверете приставката лопата за сняг за каквато и да било повреда и ремонтирайте повредата, преди да стартирате отново и да работите с приставката лопата за сняг.
- Ако машината започне да вибрира неестествено, спрете двигателя и незабавно проверете за причината. Вибрациите обикновено са предупреждение за проблем.
- Спирайте двигателя винаги, когато напускате

работната позиция, преди отстраняване на задръстване на корпуса на шнека и когато извършвате каквито и да било поправки, настройки или инспекции.

- Бъдете изключително внимателни, когато работите върху склонове.
- Никога не работете с приставката лопата за сняг без подходящите предпазители или други предпазни механизми за безопасност поставени на място и работещи.
- Никога не насочвайте изпразването към хора или зони, където могат да настъпят материални щети. Дръжте децата и останалите надалеч.
- Не превишавайте капацитета на машината като се опитвате да почиствате сняг на твърде голяма скорост.
- Никога не използвайте приставката лопата за сняг при високи транспортни скорости върху хлъзгави повърхности. Гледайте назад и внимавайте, когато работите на заден ход.
- Използвайте само приставки и аксесоари, одобрени от производителя на приставката лопата за сняг (като стъргалката).
- Никога не използвайте приставката лопата за сняг без добра видимост или светлина. Винаги заемайте добра стойка и дръжте здраво ръкохватките. Вървете, никога не бягайте.
- Не излагайте батерията или инструмента на огън или прекомерна температура. Излагането на огън или температура над 100°C може да предизвика експлозия.
- Използвайте само с акумулаторни батерии и зарядни устройства изброени на Фиг. В.

ПОЧИСТВАНЕ НА ЗАДРЪСТЕН ШНЕК

Контактът на ръцете с въртящия се шнек е най-честата причина за нараняване, свързана с приставката лопата за сняг. Никога не използвайте ръката си за почистване на въртящия се шнек.

За да изчистите шнека:

- **ИЗКЛУЧЕТЕ ИНСТРУМЕНТА!**
- Извадете акумулаторната батерия от инструмента.
- Изчакайте 10 секунди, за да се уверите, че шнекът е спрял напълно.
- Винаги използвайте инструмента за почистване на шнека, който е прикрепен към машината като аксесоар, не използвайте ръката си.

ПОДДРЪЖКА И СЪХРАНЕНИЕ

- Проверете всички болтове и закрепващи елементи на чести интервали за правилно затягане и се уверявайте, че оборудването е в безопасно работно състояние.
- Винаги правете справка с ръководството на оператора за важни детайли, ако приставката лопата за сняг трябва да се съхранява продължително време.
- Поддържайте и подменяйте етикетите с инструкции и за безопасност, когато е необходимо.
- Оставете машината да работи няколко минути, за да предотвратите замръзване на възела на шнека.

ЗАПАЗЕТЕ ТЕЗИ ИНСТРУКЦИИ. Обръщайте се често към тях и ги използвайте за инструктиране на други, които може да използват този инструмент. Ако заемете този инструмент на някой друг, вземете им също и тези инструкции, за да се предотврати злоупотреба с продукта и вероятно нараняване.

СПЕЦИФИКАЦИИ

Номинално напрежение	56 V
Скорост без натоварване	1420±10% rpm 1750±10% rpm
Ширина на почистване	30 см
Хвърляне на разстояние	До 7,5 м
Височина на поемане	15 см
Препоръчителна работна температура	-10-10°C
Препоръчителна температура на съхранение *За уреда БЕЗ акумулаторна батерия	-20-70°C
Тегло	5,2 кг
Измерено ниво на сила на звука L_{WA}	98 dB(A) K=2,3 dB(A)
Ниво на звуково налягане при ухото на оператора L_{PA}	90 dB(A) K=2,5 dB(A)
Гарантирано ниво на сила на звука L_{WA} (измерено съгласно 2000/14/EC)	100 dB(A)

Оценка на вибрации a_{H1} :	Предна спомагателна ръкохватка	4,4 м/сек ² K= 1,5 м/сек ²
	Задна ръкохватка	3,9 м/сек ² K= 1,5 м/сек ²

- Горните параметри са тествани и измерени оборудвани със захранваща глава PH1400E.
- Декларираният общ размер на вибрации е измерен в съответствие със стандартния метод за тест и може да бъде използван за сравнение между два инструмента;
- Декларираният общ размер на вибрации може също така да бъде използван за предварителна оценка на влиянието.

БЕЛЕЖКА: Вибрационните емисии по време на действителната употреба на електрическия инструмент може да се различава от декларираната стойност. С цел да се защити оператора, потребителят трябва да носи ръкавици и антифони в действителни условия на работа.

ОПАКОВЪЧЕН ЛИСТ (ФИГ. А)

ОПИСАНИЕ

ЗАПОЗНАЙТЕ СЕ С ВАШАТА ПРИСТАВКА ЛОПАТА ЗА СНЯГ (Фиг. А)

1. Копче за регулиране на дефлектора
2. Вал
3. плътняващ винт
4. Платформа
5. Дефлектор
6. Стъргалка
7. Шнек
8. Вал на шнека
9. Ключ шестограм
10. Крайна капачка

МОНТАЖ

⚠ ПРЕДУПРЕЖДЕНИЕ: Ако някои от частите са повредени или липсват, не работете с този продукт, докато частите не се подменят. Използването на този продукт с повредени или липсващи части може да доведе до сериозно лично нараняване.

⚠ ПРЕДУПРЕЖДЕНИЕ: Не се опитвайте да модифицирате този продукт или да създадете аксесоари, които не се препоръчват за употреба с този продукт. Всяка такава промяна или модификация е злоупотреба и може да доведе до опасни условия с последици от възможни сериозни наранявания.

РАЗОПАКОВАНЕ

- Инспектирайте инструмента внимателно, за да се уверите, че не настъпило счупване или повреда по време на транспортирането.
- Не изхвърляйте опаковъчните материали, докато не сте инспектирали внимателно и не работите задоволително с инструмента.

СВЪРЗВАНЕ НА ПРИСТАВКАТА ЛОПАТА ЗА СНЯГ КЪМ ЗАХРАНВАЩАТА ГЛАВА

Тази приставка лопата за сняг е предназначена за използване с EGO Power Head PH1400E.

Вижте раздел “МОНТИРАНЕ НА ПРИСТАВКА КЪМ ЗАХРАНВАЩАТА ГЛАВА” в ръководството на оператора на захранваща глава PH1400E.

ИЗВАЖДАНЕ НА ПРИСТАВКАТА ОТ ЗАХРАНВАЩАТА ГЛАВА

Вижте раздел “ИЗВАЖДАНЕ НА ПРИСТАВКА ОТ ЗАХРАНВАЩАТА ГЛАВА” в ръководството на оператора на захранваща глава PH1400E.

ЕКСПЛОАТАЦИЯ

⚠ ПРЕДУПРЕЖДЕНИЕ: Не позволявайте рутината с този продукт да ви направи непредпазлив. Запомнете, че невнимание за малка част от секундата е достатъчна за да нанесе сериозно нараняване.

⚠ ПРЕДУПРЕЖДЕНИЕ: Винаги носете предпазни очила със странична защита и предпазен екран за цялото лице, когато работите с този продукт. Ако не го направите може да доведе до изхвърляне на предмети към очите ви и други възможни сериозни наранявания.

ПРИЛОЖЕНИЯ

Може да използвате този продукт за целите описани долу:

- Почистване на малки площи и леки условия на работа като дворове, алеи и гаражи.

ИЗПОЛЗВАНЕ НА ПРИСТАВКАТА ЛОПАТА ЗА СНЯГ СЪС ЗАХРАНВАЩА ГЛАВА

⚠ ПРЕДУПРЕЖДЕНИЕ: Никога не използвайте приставка лопата за сняг върху замръзнали езера, реки или подобни повърхности. Може да настъпи смърт и ли сериозно нараняване, ако ледът се счупи.

⚠ ПРЕДУПРЕЖДЕНИЕ: Не използвайте никога приставката лопата за сняг за почистване на сняг върху покриви или други нестабилни повърхности, което може да доведе до смърт или сериозно нараняване.

⚠ ПРЕДУПРЕЖДЕНИЕ: Не използвайте приставката лопата за сняг върху лед, което може да причини подхлъзване и падане на оператора с възможно сериозно нараняване.

⚠ ПРЕДУПРЕЖДЕНИЕ: Не носете широки дрехи, шалове или бижута. Те могат да бъдат захванати от движещи се части и да причинят смърт или сериозно нараняване.

⚠ ПРЕДУПРЕЖДЕНИЕ: Никога не насочвайте приставката лопата за сняг в посока на хора или домашни любимци. Изхвърленият сняг или други предмети могат да причинят сериозно нараняване.

⚠ ПРЕДУПРЕЖДЕНИЕ: Уверете се, че площта, която трябва да бъде почиствена, без наличие на камъни, пръчки, тел, чакъл и други предмети, които биха могли да бъдат изхвърлени от приставката лопата за сняг в която и да било посока и да причинят сериозно нараняване на оператора и други хора.

Когато използвате приставката лопата за сняг, дръжте инструмента здраво с две ръце по време на работа (Фиг. С).

- Обърнете внимание на посоката на вятъра, преди да започнете. Когато е възможно, разтоварвайте снега в посоката на вятъра, за да предотвратите връщането на снега обратно в лицето Ви.
- Някои части от приставката лопата за сняг могат да замръзнат при екстремни метеорологични условия. Не се опитвайте да работите с инструмента със замръзнали части.
- Ако инструментът докосне някакъв вид препятствия по време на работа, спрете го и извадете батерията. Проверете внимателно инструмента преди употреба.
- Ако снегът е твърде дебел и по-дълбок от дълбочината на разчистване, може да е необходим повече от един проход за разчистване.

Когато приключите, оставете инструмента да работи за няколко минути, за да позволите на всички сняг да

изчисти снежа, преди да го приберете.

ЗА ДА СТАРТИРАТЕ/СПРЕТЕ ИНСТРУМЕНТА

Вижте раздел “СТАРТИРАНЕ/СПИРАНЕ НА ЗАХРАНВАЩАТА ГЛАВА” в ръководството на оператора за хранваща глава RH1400E.

КОПЧЕ ЗА РЕГУЛИРАНЕ НА ДЕФЛЕКТОРА (Фиг. D)

Посоката на изхвърляне на тази приставка лопата за сняг може да се промени чрез завъртане на копчето за регулиране на дефлектора наляво, напред или надясно.

Максималният диапазон на регулиране на копчето е 60° (30° вляво или вдясно).

Копчето ще бъде заключено, когато е в най-лявата или най-дясната позиция. Натиснете копчето и го завъртете обратно, за да го отключите.

D-1	Индикатор за заключване
D-2	Копче за регулиране на дефлектора

ПОДДРЪЖКА

ОБЩА ПОДДРЪЖКА

Избягвайте употребата на разтворители, когато почиствате пластмасовите части. Повечето пластмасови части са уязвими на повреда от различни видове разтворители в търговската мрежа и може да се повредят от тяхната употреба. Използвайте чист плат, за премахване на мръсотия, прах, масло и т.н.

⚠ ПРЕДУПРЕЖДЕНИЕ: Когато почиствате приставката лопата за сняг, НЕ я потапяйте във вода или други течности.

МОНТИРАНЕ И СНЕМАНЕ НА СЪТЪРГАЛКАТА

1. Извадете акумулаторната батерия от хранващата глава.
2. Поставете приставката за лопата за сняг настрана или в друго удобно положение за обслужване на сътергалка.
3. Отстранете четирите винта в предната част на сътергалката, както и двата винта в двата края. Използвайте отвертка (не е включена в комплекта), за да ги развиете (Фиг. Е и F).

E-1	Сътергалка
-----	------------

4. Сменете износената сътергалка с нова, ако е необходимо.

5. За да сглобите отново, поставете нова стъргалка с подравнени шест отвора, поставете шестте винта в отворите и ги затегнете с отвертка (не е включена в комплекта).

СМАЗВАНЕ НА ПРЕДАВКИТЕ НА ТРАНСМИСИЯТА

Предавките на трансмисията в предавателната кутия трябва да бъдат периодично смазвани със смазка за редукторни предавки. Проверете нивото на смазката в предавателната кутия приблизително на всеки 50 часа работа, като извадите уплътняващия винт от страни на кутията.

Ако не може да бъде видяна смазка от страни на редуктора, следвайте долните стъпки за да запълните с грес за редукторни предавки до 3/4 от капацитета.

Не напълвайте изцяло корпуса на предавателната кутия.

1. Позиционирайте приставката изправена, така че уплътняващият винт да сочи нагоре (Фиг. G).

G-1	Предавателна кутия
G-2	Уплътняващ винт

2. Използвайте предоставения мултифункционален ключ за да разхлабите и премахнете уплътняващия винт.
3. Използвайте гресьорка (не е включена) за да вкарате малко грес в отвора на винта, не надвишавайте 3/4 от капацитета.
4. Затегнете уплътняващия винт след гресирането.

ТРАНСПОРТИРАНЕ И СЪХРАНЕНИЕ

- Извадете акумулаторната батерия от инструмента.
- Почистете изцяло инструмента преди да го съхраните.

Съхранете инструмента на сухо място с добра вентилация, заключен или съхраняван на високо извън достъпа на деца. Не съхранявайте инструмента в близост или върху тор, бензин или други химикали.

Опазване на околната среда



Не изхвърляйте електрическо оборудване с общия боклук от домакинството, използвайте отделни сметосъбиращи съоръжения.

Свържете се с местните власти за информация относно наличните системи за събиране на отпадъци.

Ако се изхвърлят електрически уреди в сметища или бунища, опасни вещества могат да изтекат в подпочвените води и да попаднат в хранителната верига, като увредят вашето здраве и благосъстояние.

ОТСТРАНЯВАНЕ НА ПРОБЛЕМИ

ПРОБЛЕМ	ПРИЧИНА	РЕШЕНИЕ
Лопатата за сняг не стартира.	<ul style="list-style-type: none">■ Изтощена акумулаторна батерия■ Бутонът за заключване или спусъкът превключвател не се използват правилно.■ Батерията не е поставена напълно в корпуса.	<ul style="list-style-type: none">■ Заредете батерията.■ Следвайте раздел „СТАРТИРАНЕ/СПИРАНЕ НА ЗАХРАНВАЩАТА ГЛАВА“ в ръководството за PH1400E.■ Проверете дали батерията е поставена напълно в корпуса.
Очевидно машината е повредена.	<ul style="list-style-type: none">■ Необичайна повреда по време на транспортиране или употреба.	<ul style="list-style-type: none">■ Не продължавайте да го използвате, изпратете го за ремонт в определения център за ремонт.
Лопатата за сняг остава тънък слой.	<ul style="list-style-type: none">■ Стъргалката е износена.	<ul style="list-style-type: none">■ Сменете стъргалката.
Неочаквано спиране по време на работа	<ul style="list-style-type: none">■ Претоварена машина■ Акумулаторната батерия или машината са прегрели.	<ul style="list-style-type: none">■ Намалете интензивността на натоварване на машината.■ Охладете акумулаторната батерия или инструмента, преди да започнете работа.

ГАРАНЦИЯ

ГАРАНЦИОННА ПОЛИТИКА EGO

Моля, посетете уебсайта egopowerplus.com за пълните срокове и условия по гаранционната политика на EGO.

PROČITAJTE UPUTE U CIJELOSTI



PROČITAJTE PRIRUČNIK ZA RUKOVATELJE

Prije upotrebe uređaja, s razumijevanjem pročitajte i pridržavajte se uputa na stroju i u priručnicima. Dobro se upoznajete s upravljačkim elementima i propisanom upotrebom stroja. Upoznajete se s postupcima brzog zaustavljanja rada uređaja i deaktiviranja upravljačkih elemenata.

⚠ Skrivene opasnosti! Osobe s elektroničkim uređajima poput srčanih elektrostimulatora prije uporabe ovog proizvoda trebaju se posavjetovati sa svojim liječnikom. Rad električne opreme u neposrednoj blizini srčanog elektrostimulatora može prouzročiti smetnju ili kvar srčanog elektrostimulatora.

⚠ UPOZORENJE: Zbog sigurnosti i pouzdanosti, sve popravke treba obavljati kvalificirani servisni tehničar.

SIGURNOSNI SIMBOLI

Svrha simbola o sigurnosti je skretanje pozornosti na moguće opasnosti. Simboli o sigurnosti i njihova objašnjenja zahtijevaju vašu potpunu pozornost i razumijevanje. Simboli upozorenja ne isključuju opasnost sami po sebi. Upute i upozorenja koja pružaju nisu zamjena za propisane mjere zaštite od nezgode.

⚠ UPOZORENJE: Prije korištenja ovog alata, s razumijevanjem pročitajte sve sigurnosne upute u ovom priručniku za rukovatelja, uključujući sve sigurnosne simbole kao što su „**OPASNOST**“, „**UPOZORENJE**“ i „**OPREZ**“. Zanemarivanje uputa navedenih u nastavku može rezultirati električnim udarom, požarom i/ili teškim tjelesnim ozljedama.

ZNAČENJE SIMBOLA

SIMBOL UPOZORENJA U VEZI SIGURNOSTI: Naznačuje **OPASNOST**, **UPOZORENJE** ili **OPREZ** i može se upotrebljavati povezan s drugim simbolima ili piktogramima.



⚠ UPOZORENJE: Rukovanje električnim alatima može rezultirati odbacivanjem stranih predmeta u oči, što opet može izazvati teške ozljede očiju. Pri radu s električnim alatom nosite zatvorene zaštitne naočale ili zaštitne naočale s bočnim štitnicima, a prema potrebi i štitnik za cijelo lice. Preporučujemo nošenje sigurnosne maske proizvođača Wide Vision preko naočala ili nošenje standardnih zaštitnih naočala s bočnim štitnicima.

UPUTE U VEZI SIGURNOSTI

Na ovoj stranici slikovno su prikazani i objašnjeni simboli sigurnosti koji se mogu pojaviti na ovom proizvodu. Prije sastavljanja i rukovanja, s razumijevanjem pročitajte sve upute na stroju i pridržavajte ih se.



Mjere opreza koje se odnose na vašu sigurnost.



Kada rukujete ovim proizvodom, nosite zatvorene zaštitne naočale ili zaštitne naočale s bočnim štitnicima i štitnik za cijelo lice.



Noge držite dalje od rotirajućeg rotora.



Ovaj proizvod je u skladu s važećim direktivama EU.



Radi smanjenja opasnosti od ozljeda, prije korištenja ovog proizvoda korisnik treba s razumijevanjem pročitati korisnički priručnik.



Ne koristite ruke za odčepplivanje nastavka.



Proizvod ne upotrebljavajte na kiši i ne ostavljajte ga na otvorenom kad pada kiša.



Ovaj proizvod je u skladu s važećim zakonodavstvom UK.



Otpadni električni proizvodi ne smiju se odlagati s otpadom iz kućanstva. Odnosite ih u ovlaštenu centar za recikliranje.

V Napon

cm Centimetar

≡ Istosmjerna struja

IPX4 Zaštita od prodora vode, 4. stupanj

mm Milimetar

kg kilogram

OPĆA UPOZORENJA U VEZI SIGURNOSTI ZA ELEKTRIČNI ALAT

⚠ UPOZORENJE! Pročitajte sva upozorenja, upute, ilustracije u vezi sigurnosti i tehničke podatke isporučene s ovim električnim alatom. Zanemarivanje uputa navedenih u nastavku može rezultirati električnim udarom, požarom i/ili teškim ozljedama.

SAČUVAJTE SVA UPOZORENJA I SVE UPUTE ZA BUDUĆE POTREBE.

Pojam "električni alat" u upozorenjima odnosi se na električni alat s napajanjem iz električne mreže (s kabelom) ili na električni alat s napajanjem iz baterije (bez kabela).

SIGURNOST RADNOG PODRUČJA

- Radno područje održavajte čistim i dobro osvijetljenim. Pretrpana ili mračna područja izazivaju nesreće.
- Električnim alatom ne rukujte u eksplozivnim atmosferama, primjerice u prisutnosti zapaljivih tekućina, plinova ili prašine. Električni alat stvara iskre koje mogu zapaliti prašinu ili isparenja.
- Udaljite djecu i promatrače za vrijeme rada s električnim alatom. Ometanja mogu rezultirati gubitkom kontrole nad alatom.

OSOBNA SIGURNOST

- Budite oprezni, gledajte što radite i upotrebljavajte uobičajeni osjećaj kad radite s električnim alatom. Električni alat ne upotrebljavajte kad ste umorni ili pod utjecajem droga, alkohola ili lijekova. Trenutak nepažnje tijekom rada s električnim alatima može rezultirati teškim osobnim ozljedama.
- Upotrebljavajte osobnu zaštitnu opremu. Uvijek nosite zaštitu za oči. Zaštitna oprema poput maske za zaštitu od prašine, protuklizne sigurnosne obuće, kacige ili zaštite za sluh upotrijebljena za prikladne uvjete smanjit će tjelesne ozljede.
- Spriječite nenamjerno pokretanje. Prije spajanja na izvor napajanja i/ili baterijski modul, uzimanja ili nošenja alata uvjerite se da se prekidač nalazi

u isključenom položaju. Nošenje električnih alata s prstom na sklopci ili napajanje električnih alata koji imaju uključenu sklopku izaziva nesreće.

- Prije uključivanja električnog alata, uklonite sve ključeve za podešavanje ili stezne ključeve. Ključ ili ključ za podešavanje ostavljen na rotacijskom dijelu električnog alata može rezultirati tjelesnim ozljedama.
- Nemojte se naginjati preko alata. Cijelo vrijeme održavajte propisno držanje i ravnotežu. To će omogućiti bolju kontrolu nad električnim alatom u neočekivanim situacijama.
- Obucite se prikladno. Nemojte nositi široku odjeću i nakit. Kosu, odjeću i rukavice držite dalje od pokretnih dijelova. Široka odjeća, nakit ili duga kosa može se zahvatiti pokretnim dijelovima.
- Ako su uređaji opremljeni priključkom za odvod i sakupljanje prašine, pobrinite se da se propisno spoje i upotrebljavaju. Uporabom uređaja za sakupljanje prašine mogu se smanjiti opasnosti koje se odnose na prašinu.
- Nemojte dopustiti da vas poznavanje alata stečeno čestom uporabom učini samodopadnim te da zanemarite sigurnosna načela za alat. Nemarne radnje mogu rezultirati teškim ozljedama u djeliću sekunde.

UPORABA I NJEGA ELEKTRIČNOG ALATA

- Ne preopterećujte električni alat. Upotrebljavajte propisani električni alat za primjenu. Propisani električni alat bolje će i sigurnije obaviti zadatak brzinom za koju je konstruiran.
- Ne upotrebljavajte električni alat ako ga sklopkom ne možete uključiti i isključiti. Svaki električni alat koji se ne može upravljati sklopkom opasan je i potrebno ga je popraviti.
- Ako se baterijski modul može odvojiti, izvadite ga iz električnog alata i/ili aktivirajte napravu za onemogućavanje baterije, ako postoji, prije uklanjanja zaglavljenog materijala, podešavanja, zamjene dodatne opreme, čišćenja ili pohranjivanja električnih alata. Takve preventivne mjere sigurnosti smanjuju rizik od iznenadnog pokretanja električnog alata.

- **Nekorišteni električni alat spremite izvan dohvata djece i ne dopustite osobama koje ne poznaju električni alat ili ove upute da rade s električnim alatom.** Električni alati opasni su u rukama neobučениh korisnika.
- **Održavajte električne alate i dodatnu opremu.** Provjerite jesu li pokretni dijelovi centrirani ili spojeni, ima li polomljenih dijelova i postoji li stanje koje može utjecati na rad električnog alata. Ako je oštećen, električni alat dajte na popravak prije uporabe. Loše održavani električni alati uzrok su mnogih nesreća.
- **Rezne alate održavajte oštroma i čistima.** Propisno održavani rezni alati s oštrim reznim bridovima manje su skloni zaglavljivanju i lakši su za upravljanje.
- **Električni alat, dodatnu opremu i alatne nastavke, itd., upotrebljavajte u skladu s ovim uputama, uzimajući u obzir radne uvjete i zadatak koji je potrebno obaviti.** Uporaba električnog alata za radove drukčija od namjenske može rezultirati opasnim situacijama.
- **Rukohvate i površinu rukohvata održavajte suhim, čistim i očišćenim od ulja i masti.** Skliski rukohvati i skliske površine rukohvata onemogućuju sigurno rukovanje i upravljanje alatom u neočekivanim situacijama.
- **Sklonite kabele iz radnog prostora alata.** Za vrijeme rada kabele mogu biti skriveni od pogleda i može ih se slučajno oštetiti alatom.

UPORABA I ODRŽAVANJE BATERIJSKOG ALATA

- **Punjenje obavljajte samo s punjačem kojeg je naveo proizvođač.** Punjač koji je prikladan za jedan tip baterijskog modula može stvoriti rizik od požara ako ga se upotrebljava s drugim baterijskim modulom.
- **Električni alat upotrebljavajte samo s izričito propisanim baterijskim modulima.** Uporaba drugih baterijskih modula može stvoriti rizik od ozljeda i požara.
- **Kad se baterijski modul ne upotrebljava, držite ga podalje od drugih metalnih predmeta poput spajalica za papir, kovanica, ključeva, čavala, vijaka ili drugih malih metalnih predmeta koji mogu međusobno spojiti kontakte.** Kratko spajanje baterijskih kontakata može prouzročiti opekline ili požar.
- **U slučaju neprimjerene uporabe, baterija može izbaciti tekućinu; izbjegavajte kontakt. Ako slučajno dođe do doticaja, mjesta doticaja isperite vodom. Ako tekućina dođe u doticaj s očima, dodatno potražite pomoć liječnika.** Tekućina koju izbaci baterija može prouzročiti nadraženost kože ili opekline.

- **Ne upotrebljavajte oštećen ili preinačen baterijski modul ili alat.** Oštećene ili preinačene baterije mogu se ponašati nepredvidljivo i dovesti do požara, eksplozije ili opasnosti od ozljede.
- **Baterijski modul ili alat ne izlažite vatri ili previsokoj temperaturi.** Izlaganje vatri ili temperaturi višoj od 100°C može prouzročiti eksploziju.
- **Pridržavajte se svih uputa za punjenje, a baterijski modul ili alat nemojte puniti izvan raspona temperature propisanog u uputama.** Nepropisno punjenje ili punjenje pri temperaturama izvan okvira određenog raspona može oštetiti bateriju i povećati opasnost od požara.

SERVISIRANJE

- **Servisiranje električnog alata prepustite kvalificiranom osoblju za popravak koje upotrebljava samo identične zamjenske dijelove.** Time će se osigurati održavanje sigurnosti električnog alata.
- **Ne servisirajte oštećene baterijske module.** Servisiranje baterijskih modula smiju obavljati samo proizvođač ili ovlašteni serviseri.

⚠ UPOZORENJE! Pročitajte sva upozorenja, upute, ilustracije u vezi sigurnosti i tehničke podatke isporučene s ovim električnim alatom. Zanemarivanje uputa navedenih u nastavku može rezultirati električnim udarom, požarom i/ili teškim ozljedama. Sačuvajte sva upozorenja i sve upute za buduće potrebe.

Sačuvajte sva upozorenja i sve upute za buduće potrebe.

OBUKA

- Prije upotrebe alata, s razumijevanjem pročitajte i pridržavajte se uputa na stroju i u priručnicima. Dobro se upoznajete se s upravljačkim elementima i propisanom upotrebom opreme. Upoznajete se s postupcima brzog zaustavljanja rada alata i deaktiviranja upravljačkih elemenata.
- Ne dopuštajte djeci da upotrebljavaju opremu. Ne dozvolite odraslim osobama da upravljavaju uređajem bez propisanih uputa.
- Iz područja za rad udaljite sve osobe, a osobito malu djecu.
- Pazite da se ne poskliznete i da ne padnete, osobito kada nastavak lopate za snijeg upotrebljavate unatrag.

PRIPREMA

- Strojem nemojte raditi u blizini drugih osoba, a osobito djece ili kućnih ljubimaca.

- Nosite zaštitu za oči i čvrstu obuću cijelo vrijeme dok rukujete strojem.
- Udaljenost između stroja i promatrača treba biti najmanje 15 m.
- Nemojte raditi sa strojem ako ste umorni, bolesni ili pod utjecajem alkohola ili ostalih opijata.
- Detaljno pregledajte područje u kojemu ćete koristiti opremu i uklonite sve prostirke, štapove, daske, žice i druge strane predmete.
- Nemojte upotrebljavati opremu ako ne nosite odgovarajuću zimsku odjeću. Izbjegavajte široku odjeću koju mogu zahvatiti pokretni dijelovi. Nosite obuću koja će poboljšati uporište na skliskim površinama.
- Uvijek nosite sigurnosne naočale ili štitnike za oči za vrijeme rada i tijekom podešavanja ili popravljivanja kako biste zaštitili oči od stranih predmeta koje može odbaciti stroj.
- Upotrebljavajte produžne kabele i utičnice kako je propisao proizvođača za sve uređaje s električnim motorima za pokretanje.
- Nemojte vršiti podešavanja dok je motor u radu (osim kada to izričito propisuje proizvođač).

RAD

- Ne dovodite ruke ili stopala u blizinu ili ispod rotirajućih dijelova. Uvijek se držite što dalje od otvora za izbacivanje.
- Budite jako oprezni kada radite na šljunčanin podlogama, šetnicama ili cestama ili kada prelazite preko njih. Pazite na skrivene opasnosti ili promet.
- Nakon udara u strani predmet, zaustavite rad motora, uklonite baterijski modul, dobro pregledajte ima li nastavku lopate za snijeg oštećenja te ih popravite prije ponovnog pokretanja i upotrebe lopate za snijeg.
- Ako uređaj počne neobičajeno vibrirati, zaustavite motor i odmah potražite uzrok. Vibracije u pravilu ukazuju na problem.
- Zaustavite rad motora kada napuštate radno mjesto, prije odčepijivanja kućišta sklopa svrdla za zemlju te prilikom obavljanja popravka, podešavanja i pregleda.
- S krajnjim oprezom radite na kosinama.
- Nastavak lopate za snijeg ne upotrebljavajte bez postavljenih i funkcionalnih štitnika i drugih zaštitnih uređaja.
- Nemojte usmjeravati izlaz prema ljudima ili prema mjestima gdje može nastati materijalna šteta. Udaljite djecu i kućne životinje.
- Nemojte preopterećivati stroj prebrzim čišćenjem snijega.

- Nemojte rukovati nastavkom lopate za snijeg pri velikim transportnim brzinama na skliskim površinama. Gledajte unatrag i pazite kada radite u smjeru unatrag.
- Koristite samo nastavke i pribor koje je odobrio proizvođač nastavka lopate za snijeg (kao što je šipka strugača).
- Nemojte rukovati nastavkom lopate za snijeg bez dobre vidljivosti ili svjetla. Osigurajte dobro uporište i čvrsto držite drške. Hodajte, nemojte trčati.
- Baterijski modul ili alat ne izlažite vatri ili previsokoj temperaturi. Izlaganje vatri ili temperaturi višoj od 100°C može prouzročiti eksploziju.
- Upotrebljavajte samo s baterijskim modulima i punjačima koji su navedeni na Sl. B.

ČIŠĆENJE ZAČEPLJENOG SKLOPA SVRDLA ZA ZEMLJU

Ručni kontakt s rotirajućim sklopom svrdla za zemlju najčešći je uzrok ozljeda povezanih s nastavkom lopate za snijeg. Nemojte rukom čistiti rotirajući sklop svrdla za zemlju.

Da biste očistili sklop svrdla za zemlju:

- ISKLJUČITE ALAT!
- Izvadite baterijski modul iz alata.
- Pričekajte 10 sekundi kako biste bili sigurni da se svrdlo za zemlju prestalo okretati.
- Uvijek koristite alat za čišćenje svrdla za zemlju koji je pričvršćen za stroj kao dodatak, nemojte koristiti ruku.

ODRŽAVANJE I SKLADIŠTENJE

- Redovito pregledajte sve vijke i dijelove za pričvršćenje, provjerite jesu li pritegnuti kako biste bili sigurni da je oprema i sigurnom stanju za rad.
- Pridržavajte se korisničkog priručnika u kojem ćete pronaći važne pojedinosti ako namjeravate nastavak lopate za snijeg pohraniti na dulje vrijeme.
- Održavajte i prema potrebi zamijenite naljepnice sa sigurnosnim natpisima i uputama.
- Pokrenite stroj na nekoliko minuta kako biste spriječili smrzavanje sklopa svrdla za zemlju.

SACUVAJTE OVE UPUTE. Koristite se često njima i koristite ih za upućivanje drugih osoba koje mogu upotrebljavati ovaj alat. Ako ovaj alat nekom posudite, posudite i ove upute radi sprečavanja neispravnog korištenja proizvoda i mogućih ozljeda.

TEHNIČKI PODACI

Nazivni napon	56 V	
Brzina bez opterećenja	1420±10% o/min 1750±10% o/min	
Širina čišćenja	30 cm	
Udaljenost odbacivanja	Do 7,5 mm	
Visina usisa	15 cm	
Preporučena radna temperatura	-10-10°C	
Preporučena temperatura skladištenja *Za uređaj BEZ baterijskog modula	-20-70°C	
Masa	5,2 kg	
Izmjerena razina zvučne snage L_{WA}	98 dB(A) K=2,3 dB(A)	
Razina zvučnog tlaka kod uha rukovatelja L_{PA}	90 dB(A) K=2,5 dB(A)	
Zajamčena razina zvučne snage L_{WA} (izmjereno sukladno direktivi 2000/14/EZ)	100 dB(A)	
Procjena vibracija $a_{h,}$:	Prednji pomoćni rukohvat	4,4 m/s ² K=1,5 m/s ²
	Stražnji rukohvat	3,9 m/s ² K=1,5 m/s ²

- Navedeni parametri ispitani su i izmjereni za stroj opremljen pogonskom glavom PH1400E.
- Deklarirane ukupne vrijednosti vibracija izmjerene su u skladu sa standardnom metodom ispitivanja i mogu se koristiti za usporedbu jednog alata s drugim.
- Deklarirane ukupne vrijednosti vibracija mogu se koristiti i u preliminarnoj procjeni izloženosti.

OBAVIJEST: Emisija vibracija tijekom aktualnog korištenja električnog alata može se razlikovati od deklarirane vrijednosti u kojoj se alat koristio; Radi zaštite rukovatelja korisnik treba nositi rukavice i štitnike za uši u aktualnim uvjetima korištenja.

OTPREMNICA (SL. A)

OPIS

PROUČITE NASTAVAK LOPATE ZA SNIJEG (SI. A)

1. Gumb za podešavanje deflektora
2. Vratilo
3. Vijak za brtvljenje
4. Trup
5. Deflektor
6. Šipka strugača
7. Svrđlo za zemlju
8. Vratilo svrdla za zemlju
9. Imbus ključ
10. Krajnja kapica

SASTAVLJANJE

⚠ UPOZORENJE: Ako je bilo koji dio oštećen ili nedostaje, nemojte upotrebljavati proizvod dok se ne zamijene dijelovi. Upotreba proizvoda na kojemu nedostaju dijelovi ili su oštećeni, može dovesti do ozbiljne tjelesne ozljede.

⚠ UPOZORENJE: Ne pokušavajte obavljati preinake na ovom proizvodu ili raditi dodatnu opremu koja nije preporučena za uporabu s ovim proizvodom. Sve takve izmjene ili preinake predstavljaju nepropisnu uporabu i mogu rezultirati opasnim stanjima koja mogu dovesti do mogućih teških tjelesnih ozljeda.

RASPAKIRAVANJE

- Pažljivo pregledajte alat kako biste bili sigurni da tijekom prijevoza nije došlo do loma ili oštećenja.
- Nemojte odbaciti ambalažni materijal dok pažljivo ne pregledate i uspješno ne pokrenete alat.

PRIKLJUČIVANJE NASTAVKA LOPATE ZA SNIJEG NA POGONSKU GLAVU

Ovaj nastavak lopate za snijeg predviđen je za upotrebu s pogonskom glavom PH1400E proizvođača EGO.

Pogledajte odjeljak „POSTAVLJANJE NASTAVKA NA POGONSKU GLAVU” u korisničkom priručniku pogonske glave PH1400E.

UKLANJANJE PRIKLJUČKA S POGONSKE JEDINICE

Pogledajte odjeljak „UKLANJANJE NASTAVKA S POGONSKE GLAVE” u korisničkom priručniku pogonske glave PH1400E.

RAD

⚠ UPOZORENJE: Nemojte biti nepažljivi zato što ste upoznati s načinom rada proizvođača. Zapamtite da je samo jedan djelić sekunde nepažnje dovoljan za nastanak tjelesne ozljede.

⚠ UPOZORENJE: Kada rukujete ovim proizvodom, nosite zaštitne naočale ili zaštitne naočale s bočnim štitnicima i štitnik za cijelo lice. Nepostupanje u skladu s tim može rezultirati odbacivanjem predmeta u oči i drugim mogućim teškim ozljedama.

PRIMJENE

Ovaj proizvod možete upotrebljavati za svrhe navedene u nastavku:

- Čišćenje malih površina lakih radnih uvjeta poput dvorišta, nogostupa i garaža.

UPOTREBA NASTAVKA LOPATE ZA SNIJEG S POGONSKOM GLAVOM

⚠ UPOZORENJE: Nemojte koristiti nastavak lopate za snijeg na smrznutim jezerima, rijekama ili sličnim površinama. Ako led pukne, može doći do smrtnih posljedica i teških ozljeda.

⚠ UPOZORENJE: Nemojte koristiti nastavak lopate za snijeg na krovu ili drugoj nestabilnoj površini na kojoj možete poginuti ili se teško ozlijediti.

⚠ UPOZORENJE: Nemojte koristiti nastavak lopate za snijeg na ledu, jer se možete poskliznuti i pasti te se teško ozlijediti.

⚠ UPOZORENJE: Ne nosite široku odjeću, šalove i nakit. Oni mogu biti zahvaćeni pokretnim dijelovima i uzrokovati smrti ili teške tjelesne ozljede.

⚠ UPOZORENJE: Nastavak lopate za snijeg nemojte usmjeravati prema ljudima ili životinjama. Odbačeni snijeg i drugi predmeti mogu nanijeti teške tjelesne ozljede.

⚠ UPOZORENJE: Pobrinite se da u području koje ćete čistiti nema kamenja, štapova, žica, šljunka i drugih predmeta koje nastavak lopate za snijeg slučajno može odbaciti u bilo kojem smjeru i nanijeti teške tjelesne ozljede rukovatelju i drugima.

Kad koristite nastavak lopate za snijeg, držite alat čvrsto objema rukama tijekom rada (Sl. C).

- Prije početka utvrdite smjer vjetrova. Kada je to moguće, izbaccite snijeg u smjeru vjetrova kako se snijeg ne bi vraćao vama u lice.
- Neki dijelovi nastavka lopate za snijeg mogu se smrznuti pod ekstremnim vremenskim uvjetima. Nemojte pokušavati koristiti alat sa smrznutim dijelovima.

- Ako alat dođe u dodir s bilo kojom vrstom prepreka tijekom rada, zaustavite ga i uklonite baterijski modul. Prije uporabe pažljivo provjerite alat.
- Ako je snijeg previše gust i dublji od dubine čišćenja, može biti potrebno više od jednog prolaska za čišćenje.

Kad završite, ostavite alat da radi nekoliko minuta kako bi se sav snijeg očistio sa svrdla za zemlju prije skladištenja.

POKRETANJE/ZAUSTAVLJANJE RADA ALATA

Pogledajte odjeljak „**POKRETANJE/ZAUSTAVLJANJE POGONSKE GLAVE**” u korisničkom priručniku pogonske glave PH1400E.

GUMB ZA PODEŠAVANJE DEFLEKTORA (Sl. D)

Smjer pražnjenja nastavka lopate za snijeg može se promijeniti okretanjem gumba za podešavanje deflektora ulijevo, naprijed ili desno.

Maksimalni raspon podešavanja gumba je 60° (30° lijevo ili desno).

Gumb će se zaključiti kada je u krajnjem lijevom ili desnom položaju. Pritisnite gumb i okrenite ga obrnuto za otključavanje.

D-1	Indikator zaključavanja
D-2	Gumb za podešavanje deflektora

ODRŽAVANJE

OPĆE ODRŽAVANJE

Pri čišćenju plastičnih dijelova, izbjegavajte upotrebu otapala. Većina plastičnih materijala podložna je oštećenju od različitih vrsta komercijalnih otapala i mogu se oštetiti u slučaju njihove upotrebe. Za uklanjanje nečistoće, prašine, ulja, masti i sl. koristite čiste krpe.

⚠ UPOZORENJE: Kada čistite nastavak lopate za snijeg, NEMOJTE ga uranjati u vodu ili druge tekućine.

POSTAVLJANJE I ODVAJANJE ŠIPKE STRUGAČA

1. Prije skladištenja iz pogonske jedinice izvadite komplet baterija.
2. Nastavak lopate za snijeg položite na bok ili bilo koji drugi prikladan položaj za servis šipke strugača.
3. Uklonite četiri vijka s prednje strane šipke strugača, kao i dva vijka na oba kraja. Odrvnite ih odvajčem (nije isporučeno) (Sl. E i F).

E-1	Šipka strugača
-----	----------------

4. Zamijenite šipku strugača novom, ako je potrebno.
5. Za ponovno sastavljanje umetnite novu šipku strugača, sa poravnatih šest rupa, umetnite šest vijaka u rupe i pričvrstite ih odvijačem (nije isporučen).

PODMAZIVANJE PRIJENOSNIKA

Prijenosnike u kućištu potrebno je povremeno podmazivati mašću za prijenosnike. Razinu masti u kućištu prijenosnika provjeravajte svakih 50 radnih sati uklanjanjem brtvenog vijka na strani kućišta.

Ako se na bočnim stranama prijenosnika ne vidi mast, za punjenje s mašću za prijenosnike do 3/4 zapremine slijedite korake u nastavku.

Kućište prijenosnika nemojte puniti u cijelosti.

1. Nastavak postavite u uspravan položaj tako da brtveni vijak bude okrenut prema gore (Sl. G).

G-1	Kućište prijenosnika
G-2	Vijak za brtvljenje

2. Za otpuštanje i uklanjanje brtvenog vijka koristite isporučeni višefunkcijski ključ.
3. Za ubrizgavanje masti kroz otvor vijka koristite brizgaljku za mast (nije u sadržaju isporuke); ne prekoračujte 3/4 zapremine.
4. Brtveni vijak pritegnite nakon ubrizgavanja.

TRANSPORT I SKLADIŠTENJE

- Izvadite baterijski modul iz alata.
- Prije skladištenja dobro očistite alat.

Alat skladištite na suhom, dobro prozračivanom mjestu koje je moguće zaključati ili koje je na visini izvan dohvata djece. Alat nemojte skladištiti na ili u blizini gnojiva, benzina ili drugih kemijskih tvari.

Zaštita okoliša



Električne uređaje nemojte zbrinjavati s nerazvrstanim komunalnim otpadom, koristite posebne spremnike. Informacije o dostupnim sustavima prikupljanja otpada za recikliranje potražite u lokalnom komunalnom poduzeću.

Ako se električni uređaji odlažu na odlagališta otpada ili deponije, opasne tvari mogu isteći u podzemne vode i dospjeti u lanac ishrane, nanoseći tako štetu vašem zdravlju i blagostanju.

OTKLANJANJE SMETNJI

PROBLEM	UZROK	RJEŠENJE
Lopata za snijeg se ne uspijeva pokrenuti.	<ul style="list-style-type: none">■ Ispražnjeni baterijski modul■ Gumb za deblokadu ili sklopka okidača nisu pravilno korišteni.■ Baterija nije potpuno umetnuta u kućište.	<ul style="list-style-type: none">■ Napunite bateriju.■ Pogledajte odjeljak „POKRETANJE/ZAUSTAVLJANJE POGONSKE GLAVE“ u priručniku za PH1400E.■ Provjerite je li baterija potpuno umetnuta u kućište.
Stroj je očito oštećen.	<ul style="list-style-type: none">■ Jako oštećenje tijekom transporta ili upotrebe.	<ul style="list-style-type: none">■ Nemojte nastaviti koristiti, pošaljite na popravak u ovlaštenu centar za popravke.
Lopata za snijeg ostavlja tanak sloj.	<ul style="list-style-type: none">■ Šipka strugača je istrošena.	<ul style="list-style-type: none">■ Zamijenite šipku strugača.
Neočekivano isključivanje za vrijeme rada	<ul style="list-style-type: none">■ Preopterećen stroj■ Baterijski modul ili stroj su pregrijani.	<ul style="list-style-type: none">■ Smanjite intenzitet opterećenja stroja.■ Ohladite baterijski modul ili alat prije rada.

JAMSTVO

JAMSTVENA POLITIKA PROIZVOĐAČA EGO

Cjelokupne uvjete i odredbe jamstvene politike proizvođača EGO potražite na internetskoj stranici egopowerplus.com.

სრულად გაეცანით ინსტრუქციას



გაეცანით მომხმარებლის ინსტრუქციას

წაკითხეთ, შეისწავლეთ და მიყევით ყველა ინსტრუქციას, რომელიც მოცემულია ხელსაწყოზე და სახელმძღვანელოში, სანამ ჩართავთ მას. შეისწავლეთ ხელსაწყო მართვის დილაკები და დანდაგარის მართვით გამოყენების გზა. შეიტყვეთ, თუ როგორ შეაჩეროთ ხელსაწყო და სწრაფად გამორთოთ მართვის დილაკები.

⚠️ ნარჩენი რისკი! პირებმა, რომელთაც აქვთ იმპლანტირებული სამედიცინო მოწყობილობები, როგორცაა პეისმეიკერი, აღნიშნული პროდუქტის გამოყენებამდე უნდა გაიარონ სამედიცინო კონსულტაცია. იმპლანტირებულ მოწყობილობასთან უშუალო სიახლოვეს ელექტრო მოწყობილობის ოპერირებამ შესაძლოა პეისმეიკერს ხელი შეუშალოს მუშაობაში ან გამოიწვიოს მისი გამორთვა.

⚠️ გაფრთხილება: ხელსაწყო უსაფრთხოდ და გამართულად მუშაობისთვის საჭიროა მისი ყველა შეკეთება და ნაწილის შეცვლა შესრულდეს კვალიფიციური სერვისის ტექნიკოსის მიერ.

უსაფრთხოების სიმბოლოები

უსაფრთხოების სიმბოლოების მიზანია ყურადღების გამახვილება შესაძლო საფრთხეებზე. ყურადღებით გაეცანით უსაფრთხოების სიმბოლოებს და მათ შესაბამის განმარტებებს. საშიშროების აღნიშვნელი სიმბოლოები თავისთავად არ ანიტრალეებს რაიმე საფრთხის არსებობის რისკს. მათ მიერ მოწოდებული მითითებები და გაფრთხილებები არ არიან შემთხვევის თავიდან აცილების სწორი პროცედურის შემცველები.

⚠️ გაფრთხილება: მოწყობილობის გამოყენებამდე ყურადღებით გაეცანით აღნიშნულ სახელმძღვანელოში მოცემულ უსაფრთხოების წესებს, მათ შორის ყველა უსაფრთხოების სიმბოლოს, როგორცაა „საშიშროება“, „გაფრთხილება“ და „ყურადღება“. ქვემოთ ჩამოთვლილი მითითებების შესრულებლობამ შეიძლება გამოიწვიოს დენის დარტყმა, ცეცხლის გაჩენა და / ან სხეულის სერიოზული დაზიანება.

სიმბოლოების მნიშვნელობა

უსაფრთხოების გამაფრთხილებელი სიმბოლო: აღნიშნავს - „საშიშროება“, „გაფრთხილება“ ან „ყურადღება“, შესაძლოა გამოყენებულ იქნას სხვა სიმბოლოებთან ან პიქტოგრამებთან ერთად.



⚠️ გაფრთხილება: ელექტრო ხელსაწყო გამოყენებისას შესაძლოა უცხო სხეულის თვალის მიდამოში მოხვედრა, რამაც შესაძლოა გამოიწვიოს თვალის მნიშვნელოვანი დაზიანება. ელექტრო ხელსაწყო გამოყენებამდე აუცილებლად მიორგეთ უსაფრთხოების თვალსაფარი ან სათვალე სახის გვერდითა ნაწილებს და მთლიანი სახის დამცავი ეკრანით. ჩვენ რეკომენდაციას ვუწვევთ ფართო ხედვის არის მქონე უსაფრთხოების ნიღაბს სათვალეებთან ერთად ან სტანდარტულ გვერდითა დამცავის მქონე უსაფრთხოების სათვალეებთან ერთად გამოსაყენებლად.

უსაფრთხოების წესები

აღნიშნულ გვერდზე მოცემულია და განმარტებულია ის უსაფრთხოების სიმბოლოები, რომლებიც დაიტანება პროდუქტის ეტიკეტზე. გაეცანით და მიყევით მოწყობილობის ინსტრუქციას მის აწყობამდე და ჩართვამდე.



გამართხილებელი ზომები, რომლებიც შეეხება თქვენს უსაფრთხოებას.



ყოველთვის მიორგეთ უსაფრთხოების თვალსაფარი ან გვერდითა დამცავი ეკრანების მქონე უსაფრთხოების სათვალე და მთლიანი სახის დამცავი ამ ხელსაწყოით სარგებლობისას.



დაზიანების რისკის შესამცირებლად მომხმარებელმა უნდა წაკითხოს ხელსაწყო მუშაობის ინსტრუქცია მის გამოყენებამდე.



არ გამოიყენოთ ხელები ღარის გასახსნელად.

KA



ფეხები მთარიდეთ მბრუნავ ბორბალს.



ხელსაწყო შეესაბამება ევროკავშირის მიერ დადგენილ რეგულაციებს.



ელექტრული ხელსაწყოების უტილიზაცია არ უნდა მოხდეს საყოფაცხოვრებო ნარჩენებთან ერთად. წაიღეთ შესაბამის გადამამუშავებელ საწარმოში.

V მაზვა

სმ სანტიმეტრი

მუდმივი დენი



არ გამოიყენოთ წვიმაში ან არ დატოვოთ გარეთ წვიმის დროს.



აღნიშნული პროდუქტი აკმაყოფილებს გაერთიანებული სამეფოს კანონმდებლობით დადგენილ მოთხოვნებს.

IPX4 მე-4 დონის დაცვა წყლის შეღწევისგან.

მმ მილიმეტრი

კპ კილოგრამი

ელექტრო ხელსაწყო უსაფრთხოების ზოგადი მაჩვენებლები

⚠ გაფრთხილება! გაეცანით ამ ელექტრო ხელსაწყოთან დაკავშირებულ ყველა უსაფრთხოების მითითებას, ინსტრუქციას, ილუსტრაციას და სპეციფიკაციას.

ქვემოთ ჩამოთვლილი ყველა ინსტრუქციის უგულბედილობამ შესაძლოა გამოიწვიოს ელექტრო შოკი, ხანძარი და/ან მოგაყენოთ სერიოზული ზიანი.

შეინახეთ ყველა გაფრთხილება და ინსტრუქცია სამომავლოდ გამოყენებისთვის.

ტერმინი „ელექტრო ხელსაწყო“ უსაფრთხოების ინსტრუქციაში შეესაბამება ქსელიდან (სადენით) ან აკუმულატორით (უსადენო) მიღებულ დენზე მომუშავე ელექტრო ხელსაწყოს.

სამუშაო სივრცის უსაფრთხოება

- დაიცავით სამუშაო არის სისუფთავე და იქონიეთ კარგი განათება. ჩახერგილი ან ბნელი სამუშაო სივრცე იწვევს ინციდენტებს.
- არ ამუშაოთ ელექტრო ხელსაწყო ფეხქვეშა გარემოს არსებობისას, როგორცაა ალუბადი სითხეები, აირები ან მტვრი. ელექტრო ხელსაწყოები წარმოქმნის ნაპერქვლებს, რომელმაც შესაძლოა გამოიწვიოს მტვრის ან აირის ალერგია.
- ელექტრო ხელსაწყოთი სარგებლობისას მთარიდეთ მას ზავებები და სხვა პირები. ყურადღების გაფანტვას შეუძლია გამოიწვიოს ხელსაწყოზე კონტროლის დაკარგვა.

პირადი უსაფრთხოება

- ელექტრო ხელსაწყოს გამოყენებისას იყავით ფიზიკურად, იმოქმედეთ დაკვირვებით და სადი აზრის გათვალისწინებით. არ გამოიყენოთ ელექტრო ხელსაწყო, როდესაც ხარტ დაღლილი, ან ნარკოტიკების, ალკოჰოლის, მედიკამენტების ზემოქმედების ქვეშ. ელექტრო ხელსაწყოთი სარგებლობისას წაიბრმა უყურადღებობამ შეიძლება მოგაყენოთ სხეულის სერიოზული ტრავმა.
- გამოიყენეთ პირადი დამცავი საშუალებები. ყოველთვის გაიკეთეთ თვალების დამცავი. შესაბამის სამუშაო პირობებში დამცავი საშუალებების გამოყენება, როგორცაა მტვრის საწინააღმდეგო ნიღაბი, მოცურების საწინააღმდეგო ფეხსაცმელი, მყარი ჩაფხუტი ან სმენის დამცავი, ამცირებს სამუშაო ტრავმებს.
- გაუთვალისწინებელი ჩართვის აღკვეთა. დარწმუნდით, რომ ჩართველი არის გამორთულ პოზიციაში, ხელსაწყოს დენში და/ან აკუმულატორთან შეერთებამდე, ხელსაწყოს მაღლა აწევამდე ან ტარებამდე. ელექტრო ხელსაწყოების ტარება ჩართველის დილაკზე დადებული თითით ან ხელსაწყოს დენში მიერთება, რომელსაც გააქტიურებული აქვს ჩართვის დილაკი, იწვევს ინციდენტებს.
- მოხსენით ნებისმიერი დამაგრებელი მარეგულირებელი ხელსაწყო ან ქანჩის გასაღები ელექტრო ხელსაწყოს ჩართვამდე. ელექტრო ხელსაწყოს მბრუნავ ნაწილზე დამაგრებულმა ქანჩის გასაღებმა ან სხვა მარეგულირებულმა შესაძლოა მოგაყენოთ სხეულის დაზიანება.

- ზედმეტად არ გადაიხაროთ. ყოველთვის დაიცავით ზალანსი და მყარად იდევით ფეხზე. ეს გაძლევს საშუალებას, მოახდინოთ ელექტრო ხელსაწყოს უკეთესი კონტროლი მოულოდნელ სიტუაციებში.
- ჩაიცვით შესაბამისად. არ ჩაიცვათ განიერი, ფრიალა ტანსაცმელი და არ გაიკეთოთ სამკაულები. მოაცილოთ თქვენი თმა, ტანსაცმელი და ხელთათმანები მოძრავ ნაწილებს. თავისუფალი ტანსაცმელი, სამკაულები ან გრძელი თმა შესაძლოა ჩაითრიოს მოძრავმა ნაწილებმა.
- თუ არსებობს მტერის ან ნარჩენების შემკავებირებული მოწყობილობები და შემგროვებელი საშუალებები, დარწმუნდით, რომ ისინი სწორადაა შეერთებული და გამოყენებული. მტერისთვის განკუთვნილი საშუალებების გამოყენებამ შესაძლოა შეაგვიროს მასთან დაკავშირებული საფრთხეები.
- შეეცადეთ მსგავს ხელსაწყოებთან ხშირი მუშაობის გამოცდილებამ არ გამოიწვიოს თქვენი უზრუნველობა და არ გაუკეთოთ ხელსაწყოს უსაფრთხოების პრინციპებს წაშორება. უგულისყურო საქციელმა დაბნელება შეიძლება გამოიწვიოს სერიოზული ზიანი.

ელექტრო ხელსაწყოთა გამოყენება და მოვლა

- არ დატანოთ ძალა ელექტრო ხელსაწყოთა გამოყენებით სწორი ელექტრო ხელსაწყო თქვენი მიზნებისთვის. სწორი ელექტრო ხელსაწყო უკეთ და უფრო უსაფრთხოდ გააკეთებს იმ საქმეს, რომლისთვისაც განკუთვნილია.
- არ გამოიყენოთ ელექტრო ხელსაწყო, თუ მისი ჩართვა და გამორთვა ჩამრთველით არ ხდება. ნებისმიერი ელექტრო ხელსაწყო, რომელიც ვერ კონტროლდება ჩამრთველით, სახიფათოა და საჭიროებს შეკეთებას.
- თუ ამის შესაძლებლობა არსებობს, მოხსენით აკუმულატორი ელექტრო ხელსაწყოთა და/ან გააქტიურეთ აკუმულატორის გამთიშავი ნაწილი ჩაჭედული საგნების მოშორებამდე, ნებისმიერი სახის რეგულირებამდე, ნაწილის გამოცვლამდე, გაწმენდამდე ან ელექტრო ხელსაწყოთა შენახვამდე. მსგავსი პრევენციული უსაფრთხოების ზომები ამცირებს ელექტრო ხელსაწყოთა უცაბედი ჩართვის რისკს.

- გამორთული ელექტრო ხელსაწყოები შეინახეთ ზავებისთვის მიუწვდომელ ადგილას და არ მოსცეთ ელექტრო ხელსაწყოთა გამოყენების უფლება მისი სარგებლობის არმცოდნე ან მის ინსტრუქციებში ჩაუხედავ პირებს. ელექტრო ხელსაწყოები გამოუცდელი პირების ხელში სახიფათოა.
- მოუარეთ ელექტრო ხელსაწყოებს და მის ნაწილებს. შეამოწმეთ მოძრავი ნაწილების არათანადერბულობა ან ბმა, ნაწილების დაზიანება და ნებისმიერი სხვა მდგომარეობა, რომელმაც შეიძლება გავლენა იქონიოს ელექტრო ხელსაწყოთა მუშაობაზე. დაზიანების შემთხვევაში, შეაკეთეთ ხელსაწყო გამოყენებამდე. ბევრი ინციდენტი გამოწვეულია ცუდად მოვლილი ელექტრო ხელსაწყოების გამო.
- მჭრელი ხელსაწყოები იქონიან სუფთა და ზასრ მდგომარეობაში. სწორად მოვლილი ზასრი საჭრელი პირის მქონე მჭრელი ხელსაწყოების გადაბმა ნაკლებად სავარაუდოა და მათი კონტროლიც უფრო ადვილია.
- გამოიყენეთ ეს ელექტრო ხელსაწყო, მისი ნაწილები, დამჭრები და ა.შ. ინსტრუქციების მიხედვით, სამუშაო გარემოს და სამუშაოს ტიპის გათვალისწინებით. ელექტრო ხელსაწყოთა არადანიშნულებისამებრ გამოყენებამ შესაძლოა შექმნას სახიფათო სიტუაცია.
- იქონიეთ სახელურები და სხვა ხელის ჩასაჭიდი ზედაპირები მშრალ და სუფთა, მათ შორის ცხიმისა და ზეთისგან თავისუფალ მდგომარეობაში. სრიალა სახელურები და ხელის ჩასაჭიდი ზედაპირები არ იძლევა ხელსაწყოთა უსაფრთხო მოპყრობისა და კონტროლის საშუალებას მოულოდნელ სიტუაციებში.
- მორაიდეთ სადენები ხელსაწყოთა სამუშაო არეს. მუშაობისას სადენი შესაძლოა მხედველობის არეში არ იყოს და შემთხვევით დაზიანდეს ხელსაწყოთა მიერ.

აკუმულატორის გამოყენება და მოვლა

- დატენილ მხოლოდ მწარმოებლის მიერ მითითებული დამტენი მოწყობილობით. დამტენმა მოწყობილობამ, რომელიც თავსებადია ერთი ტიპის აკუმულატორთან, შესაძლოა წარმოშვას ხანძრის გაჩენის რისკი სხვა აკუმულატორზე გამოყენებისას.

- გამოიყენეთ ელექტრო ხელსაწყოები მხოლოდ სპეციალურად მისთვის განსაზღვრული აკუმულატორებით. სხვა აკუმულატორების გამოყენებამ შესაძლოა წარმოშვას ფიზიკური დაზიანების ან ხანძრის რისკი.
 - როდესაც აკუმულატორს არ იყენებთ, მზადყოფნაში იგი ლითონის საგნებს, როგორცაა ქაღალდის სამაგრიები, მონეტა, გასაღები, ლურსმანი, ხრახნი ან სხვა მცირე ზომის ლითონის საგნები, რომელთაც შეუძლიათ მოახდინონ შეერთება ერთი ტერმინალიდან მეორეში. აკუმულატორის კონტაქტების დამოკლებამ შესაძლოა გამოიწვიოს დამწვრობა ან ხანძარი.
 - არასწორი მოპყრობის შემთხვევაში, სითხემ შესაძლოა გამოჟონოს აკუმულატორიდან; მოერიდეთ მასთან შეხებას. თუ შემთხვევით შეეხებით, ჩამოიხანეთ წყლით. თუ სითხე მოგხვდათ თვალებში, მიმართეთ ექიმს. აკუმულატორიდან გამოჟონილმა სითხემ შესაძლოა გამოიწვიოს გაღიზიანება ან დამწვრობა.
 - არ გამოიყენოთ აკუმულატორი ან ხელსაწყო, რომელიც დაზიანებული ან გადაკეთებულია. დაზიანებულმა ან გადაკეთებულმა აკუმულატორმა შესაძლოა განაპირობოს გაუთვალისწინებელი ქმედება, რამაც შეიძლება გამოიწვიოს ხანძარი, აფეთქება ან დაზიანების რისკი.
 - არ მოათავსოთ აკუმულატორი ან ხელსაწყო ცეცხლში ან მაღალ ტემპერატურაზე. 100°C-ზე მაღალმა ტემპერატურამ შესაძლოა გამოიწვიოს აფეთქება.
 - მიყევით დატენის ინსტრუქციებს და არ დატენოთ აკუმულატორი ინსტრუქციაში მითითებული ტემპერატურის დიაპაზონის გარეთ. აკუმულატორის არასწორი ან ინსტრუქციაში მითითებული ტემპერატურის დიაპაზონის ფარგლებს გარეთ დამუხტვა ზრდის ხანძრის რისკს.
- ### მომსახურება
- ელექტრო ხელსაწყოთა დაკავშირებული ტექნიკური მომსახურება შესარულდებით კვალიფიციურ პირს მხოლოდ იდენტური სათადარიგო ნაწილების გამოყენებით. ეს უზრუნველყოფს ელექტრო ხელსაწყოს უსაფრთხოების შენარჩუნებას.
 - არასოდეს შეაკეთოთ დაზიანებული აკუმულატორის ბლოკები. აკუმულატორების შეკეთება უნდა

უზრუნველყოს მხოლოდ მწარმოებელმა ან ავტორიზებულმა სერვის პროვაიდერებმა.

⚠ გაფრთხილება: გაეცანით ამ ელექტრო ხელსაწყოთა დაკავშირებულ ყველა უსაფრთხოების მითითებას, ინსტრუქციას, ილუსტრაციას და სპეციფიკაციას. ქვემოთ ჩამოთვლილი ყველა ინსტრუქციის უგულვებელყოფამ შესაძლოა გამოიწვიოს ელექტრო შოკი, ხანძარი და/ან მოგაყენოთ სერიოზული ზიანი. შეინახეთ ყველა მითითება და ინსტრუქცია სამომავლოდ გამოყენებისთვის.

შეინახეთ ყველა მითითება და ინსტრუქცია სამომავლოდ გამოყენებისთვის.

ტრენინგი

- წაიკითხეთ, შეისწავლეთ და მიყევით ყველა ინსტრუქციას, რომელიც მოცემულია ხელსაწყოზე და სახელმძღვანელოში, სანამ ჩართავთ მას. შეისწავლეთ ხელსაწყო მართვის დილაკები და მათი მართებული გამოყენების გზა. იცოდეთ, როგორ შეაჩეროთ ხელსაწყო და სწრაფად გამორთოთ მართვის დილაკები.
- არასდროს მისცეთ ზეგმევებს მოწყობილობის გამოყენების უფლება. არასოდეს დაუშვათ მოზრდილების მიერ მოწყობილობის გამოყენება, სათანადო ინსტრუქციის მიღების გარეშე.
- ეცადეთ, რომ ექსპლუატაციის ადგილზე არ იყვნენ ადამიანები, განსაკუთრებით - პატარა ბავშვები.
- სიფრთხილე გამოიჩინეთ, რათა თავიდან აიცილოთ ჩამოცურება ან ვარდნა, განსაკუთრებით თოვლის ნიჩბის დანამატის უკუსვლით გამოყენებისას.

მომზადება

- არასოდეს გამოიყენოთ ხელსაწყო, თუ სხვა ადამიანები, განსაკუთრებით ბავშვები ან შინაური ცხოველები, არიან ახლოს.
- ყოველთვის გამოიყენეთ თვალის დამცავი საშუალებები და მყარი ფეხსაცმელი ხელსაწყოთა სარგებლობისას.
- ხელსაწყოსა და სხვა პირებს შორის დისტანცია უნდა იყოს მინიმუმ 15 მეტრი.
- არასდროს გამოიყენოთ ხელსაწყო, როდესაც ხართ დაღლილი, ავად ან ალკოჰოლის ან სხვა ნარკოტიკების გავლენის ქვეშ.

- გულდასმით შეამოწმეთ ის სივრცე, სადაც უნდა გამოიყენოთ ხელსაწყო და მოაცილეთ ყველა ფეხსაწმენდი, ურიკა, დავა, მავთული თუ სხვა უცხო სხეული.
- არ ამუშაოთ მოწყობილობა, თუ არ გაცვიათ სათანადო ზამთრის სამოსი. მოერიდეთ ფართო ტანსაცმლის ტარებას, რომელიც შეიძლება ჩაითრიოს მოძრაობა ნაწილებმა. ჩაიცვით ფეხსაცმელი, რომელიც გააუმჯობესებს თქვენს მოჭიდებას სრიალა ზედაპირებზე.
- ყოველთვის გვეკეთით უსაფრთხოების სათვალე ან დამცავი ფარი მოწყობილობის მუშაობის, რეგულირების ან შეკეთების დროს, უცხო სხეულებისგან თვალების დაცვის მიზნით, რომელიც შესაძლოა მოწყობილობიდან გამოვარდეს.
- გამოიყენეთ გამაგრებულბელი სადენები და შტეფსელის როზეტები მწარმოებლის მიერ მითითებული სახით, ყველა მოწყობილობისთვის, რომელთაც ელექტროძრავები აქვს.
- არასოდეს შეეცადოთ რეგულირებას, როცა ძრავა ჩართულია (გარდა იმ შემთხვევისა, როდესაც მწარმოებლის მიერ სპეციალურად არის მითითებული).

ექსპლუატაცია

- არ მოათავსოთ ხელები ან ფეხები მბრუნავი ნაწილების ახლოს ან ქვეშ. ყოველთვის დაიცავით გამოსაშვები ხერხი სუფთად.
- გამოიჩინეთ უკიდურესი სიფრთხილე, როდესაც ამუშავებთ ან გადაადგილებით ხრემიან ზედაპირზე, ბილიკზე ან გზებზე. ფრთხილად იყავით ფარული საფრთხეების ან მოძრაობის მიმართ.
- უცხო ობიექტზე დარტყმის შემდეგ, გააჩერეთ ძრავა, ამოიღეთ აკუმულატორი, ყურადღებით დაათვალიერეთ თოვლის ნიჩბის დანამატი ნებისმიერი დაზიანების აღმოსაჩენად და შეაკეთეთ დაზიანება თოვლის ნიჩბის დანამატის გადატვირთვასა და ხელახლა ჩართვამდე.
- თუ ხელსაწყო დაიწყებს უჩვეულო ვიბრაციას, გამორთეთ ძრავი და დაუყოვნებლივ შეამოწმეთ ვიბრაციის მიზეზი. ვიბრაცია, როგორც წესი, არის დაზიანების მომასწავებელი.
- გამორთეთ ძრავი, როდესაც გამოხვალთ სამუშაო პოზიციიდან, სანამ არ

- გაასუფთავებთ შნეკის კომპლექტის კორპუსს, ასევე ნებისმიერი შეკეთების, რეგულირების ან შემოწმების პროცესის დროს.
- გამოიჩინეთ მაქსიმალური სიფრთხილე, როდესაც ფერდობებზე მუშაობთ.
- არასოდეს გამოიყენოთ თოვლის ნიჩბის დანამატი სათანადო დამცავისა და სხვა უსაფრთხოების საშუალებების გარეშე, რომლებიც შესაბამისად არის განლაგებული და მუშა მდგომარეობაშია.
- არასოდეს მიმართოთ მოწყობილობის გამონაყოფი ადამიანების ან ისეთი სივრცეებისკენ, სადაც შეიძლება ზიანი მიადგეს ქონებას. უზრუნველყავით ბავშვებისა და სხვა ადამიანების მოშორებით ყოფნა.
- ნუ გადატვირთავთ მოწყობილობას თოვლის ძალიან სწრაფად გაწმენდის მცდელობით.
- არასდროს ამუშაოთ თოვლის ნიჩბის დანამატი დიდი სატრანსპორტო სიჩქარით მოლიპულ ზედაპირებზე. გაიხედეთ უკან და გამოიჩინეთ სიფრთხილე უკუსვლით მუშაობის დროს.
- გამოიყენეთ მხოლოდ ის ნაწილები და სამაგრები, რომლებიც დამტკიცებულია თოვლის ნიჩბის დანამატის მწარმოებლის მიერ (მაგალითად, საფხევი).
- არასოდეს ამუშაოთ თოვლის ნიჩბის დანამატი კარგი ხილვადობის ან განათების გარეშე. ყოველთვის ყურადღებით გადადგით ნაბიჯები და მჭიდროდ მოეჭიდეთ სახელურებს. იარეთ; არასოდეს ირიბინოთ.
- არ მოათავსოთ აკუმულატორი ან ხელსაწყო ცეცხლში ან მაღალ ტემპერატურაზე. 100°C-ზე მაღალმა ტემპერატურამ შესაძლოა გამოიწვიოს აფეთქება.
- გამოიყენეთ მხოლოდ ის აკუმულატორის ბლოკები და დამტენები, რომლებიც მითითებულია სურ. B-ში

გაჭვდილი შნეკის განწმენდა

ხელით კონტაქტი მბრუნავი შნეკის კომპლექტთან არის დაზიანების ყველაზე გავრცელებული მიზეზი თოვლის ნიჩბის დანამატის შემთხვევაში. არასოდეს გაასუფთაოთ მბრუნავი შნეკი ხელით. მბრუნავი შნეკის გასასუფთავებლად:

- გამორთეთ ხელსაწყო!

- მოხსენით აკუმულატორი ხელსაწყოს.
- დაიცადეთ 10 წამი, რათა დარწმუნდეთ, რომ შნეკმა ტრიალი შეწყვიტა.
- ყოველთვის გამოიყენეთ შნეკის გასასუფთავებელი ხელსაწყო, რომელიც მიმაგრებულია მოწყობილობაზეაქსესუარის სახით, არ გააკეთოთ ეს ხელით.

ტექნოლოგიური და შენახვა

- შეამოწმეთ ყველა ჭანჭიკი ან მომჭერი ხშირი ინტერვალებით, სათანადო სიმჭიდროვისთვის, რათა დარწმუნდეთ, რომ მოწყობილობა უსაფრთხო სამუშაო მდგომარეობაშია.
- ყოველთვის გამოიყენეთ ოპერატორის სახელმძღვანელო მწიგნულოვანი დეტალებისთვის, თუ თოვლის ნიჩაბის დანამატი უნდა შეინახოთ დიდი ხნის განმავლობაში.
- შეინარჩუნეთ ან შეცვალეთ უსაფრთხოების და ინსტრუქციის ეტიკეტები, როგორც საჭიროა.
- ამუშავეთ მანქანა რამდენიმე წუთის განმავლობაში შნეკის კომპლექტის გაყინვის თავიდან ასაცილებლად.

შეინახეთ ეს მომხმარებლის ინსტრუქცია.

ხშირად იხელმძღვანელებთ ინსტრუქციით და გამოიყენებთ სხვა ადამიანებისთვის მითითებების მისაცემად, ვისაც სურს ამ ხელსაწყოს გამოყენება. თუ ათხოვებთ ხელსაწყოს სხვა პირს, ასევე მიეცით მას ეს მომხმარებლის ინსტრუქცია, რათა აღკვეთოთ ხელსაწყოს არასათანადო გამოყენება და შესაძლო ზიანი.

ტექნიკური სპეციფიკაციები

ნომინალური მძევა	56 გ
უქმი სვლის სიჩქარე	1420±10% ბრუნე წუთში 1750±10% ბრუნე წუთში
გასუფთავების სიგანე	30 სმ
გადაადგების მანძილი	7.5 მ-მდე
შთანთქმის სიმაღლე	15 სმ
რეკომენდებული საექსპლუატაციო ტემპერატურა	-10-10°C

რეკომენდებული დასაწყობების ტემპერატურა *მოწყობილობისთვის აკუმულატორის გარეშე	-20-70°C	
წონა	5.2 კგ	
გაზომილი ხმის სიმძლავრის დონე L_{WA}	98 dB(A) K=2.3 dB(A)	
ბგერის წნევის დონე მომხმარებლის ყურთან მიმართებით L_{PA}	90 dB(A) K=2.5 dB(A)	
გარანტირებული ხმის სიმძლავრის დონე L_{WA} (გაზომილი 2000/14/EC რეგულაციის მიხედვით)	100 dB(A)	
ვიბრაციის შეფასება a_v :	რეგულირებადი წინა სახელური	4.4 მ/წმ ² K=1.5 მ/წმ ²
	უკანა სახელური	3.9 მ/წმ ² K=1.5 მ/წმ ²

- მითითებული პარამეტრები ტესტირებული და გაზომილია PH1400E ელექტრო თავაკის საშუალებით.
 - მითითებული ვიბრაციის სრული სიდიდე გაზომილია სტანდარტული ტესტირების მეთოდის გამოყენებით და შესაძლოა გამოყენებულ იქნას ერთი მოწყობილობის მეორესთან შედარებისას.
 - მითითებული ვიბრაციის სრული სიდიდე ასევე შესაძლოა გამოყენებულ იქნას ზემოქმედების პირველადი შეფასებისას.
- შენიშვნა:** ელექტრო ხელსაწყოს ფაქტობრივი გამოყენებისას ვიბრაციის ემისია შესაძლოა განსხვავდებოდეს მითითებული სიდიდისგან; მომხმარებელმა მოწყობილობით სარგებლობისას საჭიროა გამოიყენოს ხელთათმანები და სმენის დამცავი საშუალებები.

შეფუთვის ჩამონათვალი (ნახ. A)

აღწერა

შეისწავლეთ თქვენი თოვლის ნიჩაბის დანამატი (ნახ. A)

1. დეფლექტორის მორგების დილაკი
2. ლილვი
3. მაკრემეტიზირებული ხრახნი

4. ქვედა ნაწილი
5. დეფლექტორი
6. საფხევი
7. შნევი
8. შნევის დერო
9. ექსცესანდა ტორსული გასადები
10. ტორსული ხუფი

ანყობა

▲ გაფრთხილება: თუ რომელიმე ნაწილი დაზიანებულია ან დაკარგულია, არ ისარგებლოთ ხელსაწყოთი, სანამ ყველა ნაწილი არ შეიცვლება. დაზიანებული ან დაკარგული ნაწილების მქონე ხელსაწყოთი სარგებლობას შესაძლოა მოჰყვეს სერიოზული ზიანი.

▲ გაფრთხილება: არ სცადოთ ხელსაწყოს გადაკეთება ან ისეთი აქსესუარების შექმნა, რომლებიც არაა რეკომენდებული ამ ხელსაწყოთვის. ნებისმიერი მსგავსი ცვლილება ან მოდიფიკაცია არის ხელსაწყოს არასათანადო გამოყენება და შესაძლოა წარმოქმნას სახიფათო მდგომარეობა, რომელმაც შესაძლოა გამოიწვიოს სერიოზული პირადი ზიანი.

შეფუთვის გასნა

- გულდასმით შეამოწმეთ ხელსაწყო, რათა დარწმუნდეთ, რომ ტრანსპორტირებისას იგი არ დაიმტვრა ან დაზიანდა.
- შეინახეთ შესაფუთი მასალა, სანამ ყურადღრებით არ შეამოწმებთ და გამოიყენებთ პროდუქტს.

თოვლის ნიჩბის დანამატის შეერთება

ელექტრო თავაკთან

თოვლის ნიჩბის დანამატი განკუთვნილია EGO PH1400E ელექტრო თავაკთან გამოსაყენებლად. იხილეთ **„დანამატის დამონტაჟება ელექტრო თავაკზე“** ნაწილი PH1400E ელექტრო თავაკის მომხმარებლის ინსტრუქციაში.

ელექტრო თავაკიდან მონყობილობის მოსნა

იხილეთ **„ელექტრო თავაკიდან მონყობილობის მოსნა“** ნაწილი PH1400E ელექტრო თავაკის მომხმარებლის ინსტრუქციაში.

ეესპლუატაცია

▲ გაფრთხილება: შეეცადეთ მსგავსი პროდუქტის გამოყენების გამოცდილებამ არ გამოიწვიოს თქვენი უფულისყურობა. დაიმხსოვრეთ, რომ უფულისყურობამ წამის მეთაღმდეგ კი შესაძლოა მოგტანოთ სერიოზული ზიანი.

▲ გაფრთხილება: ყოველთვის ატარეთ უსაფრთხოების თვალსაფარი ან გვერდითა ეკრანების მქონე უსაფრთხოების სათვალე და მთლიანი სახის დამცავი ეკრანი ამ ხელსაწყოთი სარგებლობისას. ამ ინსტრუქციის უგულვებელყოფამ შესაძლოა გამოიწვიოს სხვადასხვა სხეულის თვალში მოხვედრა და სხვა შესაძლო სერიოზული ზიანი.

გამოყენებები

თქვენ შეგიძლიათ გამოიყენოთ ხელსაწყო ქვემოთ ჩამოთვლილი მიზნებისთვის:

- მცირე ფართობების გაწმენდა და მსუბუქი სამუშაო პირობები, როგორცაა უბოები, ბლიკები და ავტოფარეხები.

თოვლის ნიჩბის დანამატის გამოყენება ელექტრო თავაკთან ერთად

▲ გაფრთხილება: არ გამოიყენოთ თოვლის ნიჩბის დანამატი გაყინულ ტბებზე, მდინარეებსა და მსგავს ზედაპირებზე. ყინულის ჩატეხვამ შესაძლოა გამოიწვიოს სიკვდილი ან სერიოზული ტრავმა.

▲ გაფრთხილება: არასოდეს გამოიყენოთ თოვლის ნიჩბის დანამატი სახურავებზე ან სხვა არამყარ ზედაპირზე, რამაც შეიძლება სიკვდილი ან სხეულის სერიოზული ტრავმა გამოიწვიოს.

▲ გაფრთხილება: არ გამოიყენოთ თოვლის ნიჩბის დანამატი ყინულზე, რამაც შეიძლება გამოიწვიოს ოპერატორის მოცურება, დაცემა და შედეგად, შესაძლო სერიოზული ტრავმა.

▲ გაფრთხილება: არ ატაროთ ფართო ტანსაცმელი, შარვები ან სამკაულები. ისინი შეიძლება ჩაითრიოს მოძრავმა ნაწილებმა და გამოიწვიოს სიკვდილი ან სხეულის სერიოზული ტრავმა.

▲ გაფრთხილება: არ მიუშვიროთ თოვლის ნიჩბის დანამატი სხვა ადამიანებს ან შინაურ ცხოველებს. გამოტყორცნილმა თოვლმა ან სხვა საგნებმა შესაძლოა გამოიწვიოს სხეულის სერიოზული ტრავმა.

▲ გაფრთხილება: დარწმუნდით, რომ გასასუფთავებელი ტერიტორია თავისუფალია

ქვებისაგან, ჯოხებისგან, მავთულეებისგან, ხრუმისა და სხვა საგნებისგან, რომლებიც თოვლის ნიჩბის დანამატზე შემთხვევით შეიძლება გამოისროლოს ნებისმიერი მიმართულებით და გამოიწვიოს ოპერატორის და სხვა ადამიანების სხეულის სერიოზული დაზიანება.

თოვლის ნიჩბის დანამატის გამოყენებისას, მყარად მოვიდეთ ორივე ხელი სახელურს (ნახ. C).

- მუშაობის დაწყებამდე, დაადგინეთ ქარის მიმართულება. როდესაც შესაძლებელია, გადაყარეთ თოვლი ქარის მიმართულებით, რათა თავიდან აიცილოთ ქარის მიერ თოვლის სახეში შემოყრა.

- თოვლის ნიჩბის დანამატის ზოგიერთი ნაწილი შეიძლება გაიყინოს ძალიან მკაცრეთ ამინდის პირობებში. არ ეცადოთ მოწყობილობის ამუშავებას, როცა მისი ნაწილები გაყინულია.

- თუ ინსტრუმენტი ეხება რაიმე სახის დამაბრკოლებელ საგანს მუშაობის დროს, გააჩერეთ იგი და ამოიღეთ აკუმულატორი. გამოყენებამდე ყურადღებით შეამოწმეთ ხელსაწყო.

- თუ თოვლი ძალიან სქელია და უფრო ღრმა, ვიდრე წმენდის სიღრმე, გასუფთავებას შეიძლება ერთზე მეტი გასვლა დასჭირდეს. მუშაობის დასრულების შემდეგ, ამუშავეთ ინსტრუმენტი რამდენიმე წუთის განმავლობაში, რათა შნევი გაიწმინდოს თოვლისგან, სანამ შეინახავთ მას.

ხელსაწყო ჩასართავი/გამოსართავი
 იხილეთ „ძალოვანი თავაკის ჩართვა/გამართვა“ PH1400E ძალოვანი თავაკის მომხმარებლის ინსტრუქციაში.

დეფლექტორის მორგების ღილაკი (ნახ. D)

ამ თოვლის ნიჩბის დანამატის თოვლისგან დაცვის მიმართულება შეიძლება შეიცვალოს დეფლექტორის მორგების ღილაკის მარცხნივ, წინ ან მარჯვნივ გადატრიალების გზით. ღილაკის რეგულირების მაქსიმალური დიაპაზონი არის 60° (30° მარცხნივ ან მარჯვნივ). ღილაკი ჩაკეტილი იქნება, როდესაც ის უკიდურეს მარცხენა ან მარჯვენა პოზიციაშია. დაჭირეთ ღილაკს და გადაატრიალეთ იგი საპირისპიროდ, რათა განზღოკოთ.

D-1	დაბლოკვის მაჩვენებელი
D-2	დეფლექტორის მორგების ღილაკი

ტექნიკური მომსახურება

ზოგადი მოვლის წესი

მოერიდეთ გამსხნელების გამოყენებას ხელსაწყო პლასტმასის ნაწილების გაწმენდისას. პლასტმასების უმეტესობა ადვილად ზიანდება მათზე გამსხნელების გამოყენების შედეგად. გამოიყენეთ სუფთა ტილო ტალახის, მტკრის, ზეთის, ცხიმის და სხვ. მოსაცილებლად.

⚠ გაფრთხილება: როდესაც წმენდთ თოვლის ნიჩბის დანამატს, არ მოათავსოთ იგი წყალში ან სხვა სითხეში.

საფხეკის დამონტაჟება ან მოხსნა

1. მოხსენით აკუმულატორი ძალოვანი თავაკიდან.
2. მოათავსეთ თოვლის ნიჩბის დანამატი გვერდზე ან სხვა მოსახერხებელი პოზიციაში საფხეკის ტექ-მომსახურებისთვის.
3. ამოიღეთ ოთხი ხრახნი საფხეკის წინა მხარეს, ასევე ორი ხრახნი ორივე ბოლოში. გამოიყენეთ სახრახნისი (არ მოყვება) მათ გასახსნელად (სურ. E & F).

E-1	საფხეკი
-----	---------

4. საჭიროების შემთხვევაში, შეცვალეთ საფხეკი ახლით.
5. ხელახლა ასაწყობად ჩადეთ ახალი საფხეკი ექვსი გასწორებელი ნახვრეტით, ჩადეთ ექვსი ხრახნი ნახვრეტებში და დააფიქსირეთ ისინი სახრახნისით (არ მოყვება).

გადაცემათა კოლოფის კბილანების შეშეთვა

გადაცემათა კოლოფში არსებული კბილანები საჭიროებენ პერიოდულ შეხეთვას სპეციალური საპოხით. შეამოწმეთ გადაცემათა კოლოფის შეხეთვის დონე ექსპლუატაციის ყოველ 50 საათთან პერიოდში კოლოფის გვერდითა მხარეს მოთავსებული მაკრემეტიზირებელი ხრახნის მოხსნით.

თუ კბილანების გვერდებზე საპოხი მასალა არ ჩანს, მიეცეთ ქვემოთ მოცემულ ინსტრუქციას და შეავსეთ გადაცემათა კოლოფი 3/4-ზე საპოხი მასალით.

ბოლომდე არ გაავსოთ გადაცემათა კოლოფის კორპუსი.

KA

1. დაიჭირეთ თოვლის ნიჩბის დანამატი ისე, რომ მაკერმეტიზირებელი ხრახნი აღმოჩნდეს ზედა მხარეს (ნახ. G).

G-1	გადაცემათა კოლოფი
G-2	მაკერმეტიზირებელი ხრახნი

2. გამოიყენეთ არსებული მრავალფუნქციური ქანჩის გასაღები, რათა მოუშვათ და მოხსნათ მაკერმეტიზირებელი ხრახნი.
3. გამოიყენეთ ზეთის შპრიცი (არ არის კომპლექტში), რათა შეიყვანოთ საპოხი მასალა ხრახნის ნასვრეტში; არ გადააჭარბოთ მოცულობის 3/4-ზე მეტს.
4. საპოხის შეყვანის შემდეგ მოუჭირეთ მაკერმეტიზირებელ ხრახნს.

ტრანსპორტირება და შენახვა

- მოხსენით აკუმულატორი ხელსაწყოს.
- შენახვამდე საგულდაგულოდ გაწმინდეთ ხელსაწყო.

შეინახეთ ხელსაწყო მშრალ, კარგად განიავებად ადგილას, ჩაკეტულ ან მაღალ სათავსოში, ბავშვებისთვის მიუწვდომელ ადგილას. არ შეინახოთ ხელსაწყო სასუქის, ბენზინის და სხვა ქიმიური ნივთიერებების სიახლოვეს.

გარემოს დაცვა



ელექტრო ხელსაწყოების უტილიზაცია არ უნდა მოხდეს არასორტირებულ მუნიციპალურ ნარჩენებთან ერთად. გამოიყენეთ სპეციალური ჩაბარების პუნქტები. მიმართეთ ადგილობრივი თვითმმართველობის ორგანოებს, რათა მოიძიოთ ინფორმაცია ნარჩენების უტილიზაციის სისტემებთან დაკავშირებით.

ელექტრო მოწყობილობების ნაგავსაყრელზე მოთავსებისას სახიფათო ნარჩენებმა შესაძლოა გაჟონოს ვრუნტის წყლებში და მოხვდეს საკვებ ჯაჭვში, რამაც შესაძლოა დააზიანოს თქვენი ჯანმრთელობა და კეთილდღეობა.

გაუმართაობის დიაგნოსტიკა

პრობლემა	მიზეზი	პრობლემის გადაჭრის გზა
თოვლის ნიჩბის ამუშავება შეუძლებელია.	<ul style="list-style-type: none"> ■ განმუხტული აკუმულატორი ■ ჩაკეტვის მოსახნელი ლილაკი ან გამშვები გადამრთველი არ იყო სწორად გამოყენებული. ■ აკუმულატორი სრულად არ არის ჩასმული კორპუსში. 	<ul style="list-style-type: none"> ■ დატენეთ აკუმულატორი. ■ იხილეთ ნაწილი „ელექტრო თავაკის ჩართვა/გამორთვა“ PH1400E მომხმარებლის სახელმძღვანელოში. ■ შეამოწმეთ, ჩასმულია თუ არა აკუმულატორი სრულად კორპუსში.
დანადგარი აშკარად დაზიანებულია.	<ul style="list-style-type: none"> ■ ტრანსპორტირებისას ან გამოყენებისას მიყენებული მნიშვნელოვანი ზიანი. 	<ul style="list-style-type: none"> ■ არ გააგრძელოთ გამოყენება, გააგზავნეთ შესაბამის ცენტრში შესაკეთებლად.
თოვლის ნიჩბის დანამატი ტოვებს თხელ ფენას.	<ul style="list-style-type: none"> ■ საფხეკი გაცვეთილია. 	<ul style="list-style-type: none"> ■ შეცვალეთ საფხეკი.
მოულოდნელი გამორთვა მუშაობისას	<ul style="list-style-type: none"> ■ გადატვირთული მანქანა ■ მანქანა ან აკუმულატორი გადახურდა. 	<ul style="list-style-type: none"> ■ შეამცირეთ დანადგარის დატვირთვის ინტენსივობა. ■ მუშაობის დაწყებამდე გააცივეთ აკუმულატორი ან ინსტრუმენტი.

გარანტია

EGO-ს საგარანტიო პირობები

გთხოვთ, ეწვიოთ ვებ-გვერდს egopowerplus.com, რათა მიიღოთ EGO-ს საგარანტიო მომსახურების სრული პირობები.

PROČITAJTE SVA UPUTSTVA



PROČITAJTE PRIRUČNIK ZA RUKOVAOCA

Pročitajte, shvatite i sledite sva uputstva na mašini i u priručnicima pre rukovanja ovom jedinicom. Temeljno se upoznajte sa kontrolama i pravilnom upotrebom mašine. Treba da znate kako da brzo zaustavite jedinicu i otpustite kontrole.

⚠ Reziidualni rizik! Osobe sa elektronskim uređajima, poput pejsmejkerja, treba da konsultuju svog lekara (svoje lekare) pre upotrebe ovog proizvoda. Rukovanje električnom opremom u neposrednoj blizini srčanog pejsmejkerja moglo bi da izazove smetnje ili otkazivanje pejsmejkerja.

⚠ UPOZORENJE: Da bi se osigurala sigurnost i pouzdanost, sve popravke i zamene treba da radi kvalifikovani servisni tehničar.

SIGURNOSNI SIMBOLI

Svrha sigurnosnih simbola je da vam skrenu pažnju na moguće opasnosti. Sigurnosni simboli i objašnjenja uz njih zaslužuju vašu pomnu pažnju i shvatanje. Simboli upozorenja, sami po sebi, ne eliminišu nikakve opasnosti. Uputstva i upozorenja koja oni daju nisu zamena za odgovarajuće mere sprečavanja nezgoda.

⚠ UPOZORENJE: Obavezno pročitajte i shvatite sva sigurnosna uputstva u ovom Priručniku za rukovaoca, obuhvatajući i sve simbole sigurnosnih upozorenja poput „OPASNOST“, „UPOZORENJE“ i „OPREZ“ pre korišćenja ovog alata. Nepridržavanje svih dole navedenih uputstava može da dovede do strujnog udara, požara i/ili ozbiljne telesne povrede.

ZNAČENJE SIMBOLA

SIMBOL SIGURNOSNOG UPOZORENJA: Ukazuje na **OPASNOST**, **UPOZORENJE** ili **OPREZ**, može se koristiti zajedno sa drugim simbolima ili piktogramima.



⚠ UPOZORENJE: Rukovanje svakim električnim alatom može da dovede do izbacivanja stranih predmeta ka očima, što može da dovede do ozbiljnog oštećenja očiju. Pre započinjanja rada sa električnim alatom, uvek stavite sigurnosne naočare sa bočnim štitnicima ili po potrebi masku za celo lice. Preporučujemo sigurnosnu masku Wide Vision za upotrebu preko naočara ili standardnih sigurnosnih naočara sa bočnim štitnicima.

SIGURNOSNA UPUTSTVA

Ova stranica prikazuje i opisuje sigurnosne simbole koji mogu da se pojave na ovom proizvodu. Pročitajte, shvatite i sledite sva uputstva na mašini pre no što pokušate da je sklopite i da rukujete njom.



Mere opreza koje se tiču vaše sigurnosti.



Uvek nosite sigurnosne naočare ili sigurnosne naočare sa bočnim štitnicima i po potrebi masku za celo lice kad rukujete ovim proizvodom.



Držite stopala dalje od impelera koji se okreće.



Da bi smanjio rizik od povreda, korisnik pre korišćenja ovog proizvoda mora pročitati priručnik za rukovaoca.



Nemojte koristiti šake da otpušite žleb.



Nemojte da upotrebljavate proizvod na kiši ili nemojte da ga ostavljate na otvorenom kada pada kiša.

CE Ovaj proizvod je u skladu sa primenljivim Direktivama EU.



Otpadni električni proizvodi ne smeju da se odlažu sa otpadom iz domaćinstva. Odnosite ih u ovlašćeni pogon za reciklažu.

V Napon

cm Centimetar

Jednosmerna struja

UK CA Ovaj proizvod je u skladu sa primenljivim zakonima UK.

IPX4 Zaštita od prodiranja vode, stepen 4.

mm Milimetar

kg Kilogram

OPŠTA SIGURNOSNA UPOZORENJA ZA ELEKTRIČNI ALAT

⚠ UPOZORENJE! Pročitajte sva sigurnosna upozorenja, uputstva, ilustracije i specifikacije priložene uz ovaj električni alat. Nepridržavanje svih dole navedenih uputstava može da dovede do strujnog udara, požara i/ili ozbiljne povrede.

SACUVAJTE SVA UPOZORENJA I UPUTSTVA ZA BUDUĆU UPOTREBU.

Pojam „električni alat“ u upozorenjima označava električni alat (sa žicom) koji se uključuje u utičnicu ili električni alat (bežični) na baterije.

BEZBEDNOST NA RADNOM PODRUČJU

- Održavajte radno područje čistim i dobro osvetljenim. Na pretrpanim ili mračnim područjima su veće šanse da dođe do nezgoda.
- Ne koristite električne alate u eksplozivnim atmosferama, kao na primer u prisustvu zapaljivih tečnosti, gasova ili prašine. Električni alat stvara varnice koje mogu zapaliti prašinu ili isparenja.
- Držite decu i prolaznike podalje dok koristite električni alat. Ako vam nešto odvrti pažnju, možete izgubiti kontrolu.

LIČNA BEZBEDNOST

- Ostanite u pripravnosti, pazite šta radite i koristite zdrav razum kada koristite električni alat. Ne koristite električni alat kada ste umorni ili pod uticajem droga, alkohola ili lekova. Trenutak nepažnje kada koristite električni alat je dovoljan da izazove ozbiljne telesne povrede.
- Koristite ličnu zaštitnu opremu. Uvek nosite zaštitu za oči. Zaštitna oprema poput maske za prašinu, radnih cipela koje se ne klišu, šlema ili zaštite sluha će, kada se koristi za odgovarajuće uslove, smanjiti telesne povrede.

- Sprečite nehотиčno pokretanje. Osigurajte da prekidač bude u isključenom položaju pre povezivanja na izvor napajanja i/ili bateriju, podizanja ili nošenja alata. Nošenje električnih alata sa prstom na prekidaču ili uključivanje u utičnicu električnih alata čiji prekidač je u uključenom položaju priziva nezgode.
- Uklonite sve ključeve za podešavanje pre uključivanja električnog alata. Ključ koji ostane pričvršćen za rotacioni deo električnog alata može da izazove telesnu povredu.
- Ne presežite. U svakom trenutku održavajte pravilan položaj nogu i ravnotežu. To omogućava bolju kontrolu električnog alata u neočekivanim situacijama.
- Prikladno se obucite. Ne nosite labavu odeću niti nakit. Držite kosu, odeću i rukavice dalje od pokretnih delova. Labava odeća, nakit ili duga kosa mogu da se zakače pokretnim delovima.
- Ako su priloženi uređaji za povezivanje delova za izbacivanje i prikupljanje prašine, osigurajte da oni budu povezani i da se pravilno koriste. Upotreba uređaja za prašinu može da smanji opasnosti koje izaziva prašina.
- Ne dozvolite da zbog poznavanja koje ste stekli kroz čestu upotrebu alata postanete samozadovoljni i ignorišete principe bezbednosti alata. Nemarni postupak može da izazove ozbiljnu povredu u deliću sekunde.

UPOTREBA I ODRŽAVANJE ELEKTRIČNOG ALATA

- Ne silite električni alat. Koristite odgovarajući električni alat za ono što radite. Odgovarajući električni alat uradiće posao bolje i bezbednije onom brzinom za koju je dizajniran.
- Ne koristite električni alat ako ga prekidač ne uključuje i isključuje. Svaki električni alat koji se ne može kontrolisati prekidačem je opasan i mora se popraviti.

- Izvadite bateriju, ako je odvojiva, iz električnog alata i/ili aktivirajte eventualni uređaj za onemogućavanje baterije pre vadenja zaglavljenog materijala, podešavanja, menjanja dodataka, čišćenja ili skladištenja električnog alata. Takve preventivne sigurnosne mere smanjuju rizik od nehotičnog pokretanja električnog alata.
- Skladištite isključene električne alate van domašaja dece i ne dozvolite osobama koje nisu upoznate sa ovim električnim alatom ili ovim uputstvom da rukuju električnim alatom. Električni alat je opasan u rukama nekvalifikovanih korisnika.
- Održavajte električni alat i dodatke. Proverite pravilno poravnanje ili spojeve pokretnih delova, lomljenje delova i sva druga stanja koja mogu da utiču na rad električnog alata. Ako je oštećen, odnesite električni alat na popravku pre upotrebe. Mnoge nezgode su izazvane loše održanim električnim alatom.
- Održavajte alate koji seku oštrim i čistim. Pravilno održavani alati za sečenje sa oštrim ivicama za sečenje se ređe zapetljavaju i lakše se kontrolišu.
- Koristite električni alat, dodatke, delove itd. u skladu sa ovim uputstvom, uzimajući u obzir radne uslove i rad koji treba obaviti. Korišćenje električnog alata za rad drugačiji od predviđenog moglo bi da dovede do opasne situacije.
- Održavajte drške i površine koje hvatate suvim, čistim i bez ulja i masnoće. Klizave drške i površine koje hvatate ne omogućavaju bezbedno rukovanje i kontrolu alata u neočekivanim situacijama.
- Držite kablove podalje od radnog područja alata. Tokom rada, kablovi mogu biti skriveni od pogleda i alat ih može nehotično oštetiti.
- U ekstremnim uslovima može doći do curenja tečnosti iz baterije; izbegavajte kontakt sa njom. Ako dođe do nehotičnog kontakta, isperite vodom. Ako tečnost dođe u kontakt sa očima, takode potražite i medicinsku pomoć. Tečnost iz baterije može da izazove iritaciju ili opekotine.
- Ne koristite bateriju ili alat koji su oštećeni ili modifikovani. Oštećene ili modifikovane baterije mogu da ispolje nepredvidivo ponašanje, dovodeći do požara, eksplozije ili rizika od povrede.
- Ne izlažite bateriju ili alat vatri ili previsokoj temperaturi. Izlaganje vatri ili temperaturi iznad 100°C može izazvati eksploziju.
- Pratite sva uputstva za punjenje i ne puniti bateriju ili alat izvan temperaturnog opsega navedenog u uputstvima. Punjenje na nepravilan način ili na temperaturama izvan navedenog opsega može da ošteti bateriju i poveća rizik od požara.

SERVIS

- Odnosite električni alat na servisiranje kod kvalifikovanog servisera koji će koristiti samo identične rezervne delove. To će osigurati da bezbednost električnog alata bude održana.
- Nikad ne servisirajte oštećene baterije. Servisiranje baterija treba da radi samo proizvođač ili ovlašćeni servis.

⚠ UPOZORENJE! Pročitajte sva sigurnosna upozorenja, uputstva, ilustracije i specifikacije priložene uz ovaj električni alat. Nepridržavanje svih dolenavedenih uputstava može da dovede do strujnog udara, požara i/ili ozbiljne povrede. Sačuvajte sva upozorenja i uputstva za buduću upotrebu.

Sačuvajte sva upozorenja i uputstva za buduću upotrebu.

OBUKA

- Pročitajte, shvatite i sledite sva uputstva na mašini i u priručnicima pre rukovanja ovim alatom. Temeljno se upoznajte sa kontrolama i pravilnom upotrebom opreme. Treba da znate kako da brzo zaustavite alat i otpustite kontrole.
- Nikad ne dozvoljavajte deci da rukuju opremom. Nikad ne dozvoljavajte odraslima da rukuju opremom bez odgovarajuće obuke.
- Vodite računa da u području rada ne bude drugih osoba, naročito male dece.
- Budite oprezni da se ne biste okliznuli ili pali, naročito kad rukujete dodatkom lopate za sneg unazad.

UPOTREBA I ODRŽAVANJE ALATA NA BATERIJE

- Puniti samo punjačem koji navodi proizvođač. Punjač koji je prikladan za jedan tip baterije može da stvori opasnost od požara kad se koristi sa nekom drugom baterijom.
- Koristite električni alat samo sa konkretno imenovanim baterijama. Upotreba bilo kakvih drugih baterija može da stvori rizik od povrede i požara.
- Kad se baterija ne koristi, držite je dalje od drugih metalnih predmeta, poput spajalica, novčića, ključeva, eksera, vijaka ili drugih malih metalnih predmeta koji mogu da naprave spoj jednog terminala sa drugim. Kratak spoj terminala baterije može da izazove opekotine ili požar.

PRIPREMA

- Nikad ne rukujte mašinom dok su ljudi, naročito deca, ili kućni ljubimci u blizini.
- Nosite zaštitne naočare i čvrste cipele sve vreme dok rukujete ovom mašinom.
- Udaljenost između mašine i prolaznika mora biti najmanje 15 m.
- Nikad ne rukujte mašinom ako je rukovalac umoran, bolestan ili pod uticajem alkohola, droga ili lekova.
- Temeljno pregledajte površinu na kojoj ćete koristiti opremu i uklonite sve otiračače, sanke, daske, žice i druge strane predmete.
- Ne rukujte opremom bez nošenja adekvatne zimske odeće. Izbegavajte labavu odeću koja može da se zakači na pokretne delove. Nosite obuću koja će poboljšati uporište na klizavim površinama.
- Uvek nosite sigurnosne naočare ili sigurnosne naočare sa bočnim štitnicima tokom rukovanja ili tokom podešavanja ili popravke, da biste zaštitili oči od stranih predmeta koje mašina može izbaciti.
- Koristite produžne kablove i utičnice prema specifikaciji proizvođača za sve jedinice sa motorima sa električnim pokretanjem.
- Nikad ne pokušavajte ništa da podešavate dok motor radi (osim kad to konkretno preporučuje proizvođač).

RUKOVANJE

- Ne stavljajte šake ili stopala blizu ili ispod rotirajućih delova. Sve vreme se držite dalje od izlaznog otvora.
- Budite krajnje oprezni kad radite na prilazima, stazama ili putevima od šljunka ili kad ih prelazite. Vodite računa o skrivenim opasnostima ili saobraćaju.
- Nakon udaranja stranog predmeta, zaustavite motor, izvadite baterije, temeljno pregledajte dodatak lopate za sneg zbog eventualnog oštećenja i popravite oštećenje pre ponovnog pokretanja i rukovanja dodatkom lopate za sneg.
- Ako jedinica počne abnormalno da vibrira, zaustavite motor i odmah potražite uzrok. Vibracija je generalno upozorenje da postoji problem.
- Zaustavite motor kad god napuštate radni položaj, pre otpušavanja kućišta sklopa svrdla i kad vršite popravke, podešavanja ili preglede.
- Budite krajnje oprezni kad radite na nagibima.
- Nikad ne rukujte dodatkom lopate za sneg bez odgovarajućih štitnika i drugih sigurnosnih zaštitnih uređaja na svom mestu i u radnom stanju.
- Nikad ne usmeravajte izlaz prema ljudima ili prema

mestima gde može doći do oštećenja imovine. Držite decu i druge ljude podalje.

- Ne preopterećujte kapacitet mašine pokušavajući da očistite sneg prevelikom brzinom.
- Nikada ne rukujte dodatkom lopate za sneg pri velikim brzinama transporta na klizavim površinama. Gledajte iza sebe i budite pažljivi kad radite unazad.
- Koristite samo dodatke i pribor koje je odobrio proizvođač dodatka lopate za sneg (kao što je šipka strugača).
- Nikada ne rukujte dodatkom lopate za sneg bez dobre vidljivosti ili osvetljenja. Uvek imajte sigurno uporište i čvrsto držite ručke. Hodajte; nikad nemojte trčati.
- Ne izlažite bateriju ili alat vatri ili previsokoj temperaturi. Izlaganje vatri ili temperaturi iznad 100°C može izazvati eksploziju.
- Koristite samo sa baterijama i punjačima navedenim na slici B.

ČIŠĆENJE ZAPUŠENOG SKLOPA SVRDLA

Kontakt šake sa sklopom svrdla koje se okreće je najčešći uzrok povrede povezane sa dodatkom lopate za sneg. Nikad ne koristite šake za čišćenje sklopa svrdla koje se okreće.

Da biste očistili sklop svrdla:

- ISKLJUČITE ALAT!
- Izvadite komplet baterija iz alata.
- Sačekajte 10 sekundi da biste bili sigurni da je svrdlo prestalo da se okreće.
- Uvek koristite alatku za čišćenje svrdla koja je priložena uz mašinu kao pribor, ne koristite šake.

ODRŽAVANJE I SKLADIŠTENJE

- Često proveravajte da li su svi zavrtnji ili spojnice adekvatno zategnuti da biste bili sigurni da je oprema u bezbednom radnom stanju.
- Uvek pogledajte priručnik za rukovaoca radi važnih detalja ako dodatak lopate za sneg treba skladištiti tokom dužeg perioda.
- Održavajte ili zamenjujte sigurnosne i nalepnice sa uputstvima, prema potrebi.
- Pokrenite mašinu nekoliko minuta kako biste sprečili zamrzavanje sklopa svrdla.

SACUVAJTE OVO UPUTSTVO. Često ga pregledajte i koristite ga da uputite druge koji će možda koristiti ovaj alat. Ako pozajmite ovaj alat nekom drugom, pozajmite i ovo uputstvo da bi se sprečila pogrešna upotreba proizvoda i eventualna povreda.

SPECIFIKACIJE

Nazivna voltaža	56 V	
Brzina bez opterećenja	1420 ±10% o/min 1750 ±10% o/min	
Širina čišćenja	30 cm	
Rastojanje bacanja	Do 7,5 mm	
Visina usisavanja	15 cm	
Preporučena radna temperatura	Od -10 do +10°C	
Preporučena temperatura skladištenja *Za aparat BEZ baterije	Od -20 do +70°C	
Masa	5,2 kg	
Izmereni nivo zvučne snage L_{WA}	98 dB(A) K=2,3 dB(A)	
Nivo zvučnog pritiska kod uha rukovaoca L_{PA}	90 dB(A) K=2,5 dB(A)	
Garantovan nivo jačine zvuka L_{WA} (izmereno prema 2000/14/EC)	100 dB(A)	
Procena vibracije a_n :	Prednja pomoćna drška	4,4 m/s ² K=1,5 m/s ²
	Zadnja drška	3,9 m/s ² K=1,5 m/s ²

- Gornji parametri su testirani i izmereni sa pogonskom glavom PH1400E.
- Deklarisana ukupna vrednost vibracije je izmerena u skladu sa standardnim metodom testiranja i može se koristiti za upoređivanje jednog alata sa drugim;
- Deklarisana ukupna vrednost vibracije može se koristiti u preliminarnoj proceni izlaganja.

NAPOMENA: Emisija vibracija tokom stvarne upotrebe električnog alata može da se razlikuje od deklarisanе vrednosti u kojoj se alat koristi. Da bi se rukovalac zaštitio, korisnik bi trebalo da nosi rukavice i štitnike za uši u stvarnim uslovima korišćenja.

POPIS PAKOVANJA (SLIKA A)

OPIS

UPOZNAJTE VAŠ DODATAK LOPATE ZA SNEG (slika A)

1. Dugme za podešavanje deflektora
2. Vratilo
3. Zaptivni vijak
4. Platforma
5. Deflektor
6. Šipka strugača
7. Svrđlo
8. Osovina svrdla
9. Inbus ključ
10. Krajnja kapica

SASTAVLJANJE

⚠ UPOZORENJE: Ako su neki delovi oštećeni ili nedostaju, nemojte koristiti ovaj proizvod dok delovi ne budu zamenjeni. Korišćenje ovog proizvoda sa oštećenim ili nedostajućim delovima može dovesti do ozbiljnih telesnih povreda.

⚠ UPOZORENJE: Ne pokušavajte da modifikujete ovaj proizvod ili da pravite dodatke koji nisu preporučeni za korišćenje sa ovim proizvodom. Svaka takva promena ili modifikacija je zloupotreba i može dovesti do opasnih uslova koji mogu da dovedu do ozbiljnih telesnih povreda.

RASPAKIVANJE

- Pažljivo pregledajte alat kako biste bili sigurni da nije došlo do loma ili oštećenja tokom transporta.
- Ne bacajte ambalažu dok ne budete pažljivo pregledali alat i rukovali njime na zadovoljavajući način.

POVEZIVANJE DODATKA LOPATE ZA SNEG NA POGONSKU GLAVU

Ovaj dodatak lopate za sneg je dizajniran za upotrebu sa EGO pogonskom glavom PH1400E.

Pogledajte odeljak „**INSTALIRANJE DODATKA NA POGONSKU GLAVU**“ u priručniku za rukovaoca za pogonsku glavu PH1400E.

UKLANJANJE DODATKA SA POGONSKE GLAVE

Pogledajte odeljak „**UKLANJANJE DODATKA SA POGONSKE GLAVE**“ u priručniku za rukovaoca za pogonsku glavu PH1400E.

RUKOVANJE

⚠ UPOZORENJE: Nemojte dozvoliti da vas poznavanje ovog proizvoda učini nemarnim. Imajte na umu da je za nanošenje teških povreda dovoljan samo delić sekunde nepažnje.

⚠ UPOZORENJE: Uvek nosite sigurnosne naočare ili sigurnosne naočare sa bočnim štitnicima i masku za celo lice kad rukujete ovim proizvodom. Nepostupanje u skladu sa tim može da rezultira odbacivanjem predmeta u oči i drugim mogućim teškim povredama.

PRIMENA

Možete koristiti ovaj proizvod za svrhu navedenu ispod:

- Čišćenje malih površina u lakim uslovima rada, poput dvorišta, staza i garaža.

KORIŠĆENJE DODATKA LOPATE ZA SNEG SA POGONSKOM GLAVOM

⚠ UPOZORENJE: Nikada ne koristite dodatak lopate za sneg na smrznutim jezerima, rekama ili sličnim površinama. Ako se led polomi, moglo bi da dođe do smrti ili ozbiljne povrede.

⚠ UPOZORENJE: Nikad ne koristite dodatak lopate za sneg na krovu ili nekoj drugoj nestabilnoj podlozi, što može da dovede do smrti ili ozbiljne povrede.

⚠ UPOZORENJE: Ne koristite dodatak lopate za sneg na ledu, što može da izazove klizanje i pad rukovaoca, dovodeći do možda ozbiljne telesne povrede.

⚠ UPOZORENJE: Ne nosite labavu odeću, šalove ili nakit. Mogu se zakačiti na pokretne delove i izazvati smrt ili ozbiljnu telesnu povredu.

⚠ UPOZORENJE: Nikada nemojte uperiti dodatak lopate za sneg u pravcu ljudi ili kućnih ljubimaca. Izbačeni sneg ili drugi predmeti mogu da izazovu ozbiljne telesne povrede.

⚠ UPOZORENJE: Vodite računa da na površini koju ćete čistiti nema kamenja, granja, žica, šljunka i drugih predmeta koji mogu nehotično biti bačeni dodatkom lopate za sneg u bilo kom smeru i izazvati ozbiljne telesne povrede rukovaoca i drugih.

Kada koristite dodatak lopate za sneg, držite alat čvrstim hvatom koristeći obe šake tokom rada (slika C).

- Obratite pažnju na smer vetra pre započinjanja rada. Kad je moguće, izbacujte sneg u istom smeru u kom duva vetar da biste sprečili da vam sneg bude bačen nazad u lice.
- Neki delovi dodatka lopate za sneg mogu se zamrznuti

pod ekstremnim vremenskim uslovima. Ne pokušavajte da rukujete alatom sa zamrznutim delovima.

- Ako alat dođe u dodir sa bilo kojom vrstom prepreke tokom rada, zaustavite ga i uklonite bateriju. Pažljivo proverite alat pre upotrebe.
- Ako je sneg predebeo i dublji od dubine čišćenja, možda će biti potrebno da prođete više puta da biste ga očistili.

Kada završite, pustite alat da radi nekoliko minuta kako biste omogućili da sav sneg izađe iz svrdla pre skladištenja.

POKRETANJE/ZAUSTAVLJANJE ALATA

Pogledajte odeljak „POKRETANJE/ZAUSTAVLJANJE POGONSKE GLAVE“ u priručniku za rukovaoca za pogonsku glavu PH1400E.

DUGME ZA PODEŠAVANJE DEFLEKTORA (slika D)

Pravac pražnjenja ovog dodatka lopate za sneg može da se menja okretanjem dugmeta za podešavanje deflektora levo, napred ili desno.

Maksimalni opseg podešavanja dugmeta je 60° (30° levo ili desno).

Dugme će biti zaključano kada je u krajnje levju ili krajnje desnoj poziciji. Pritisnite dugme i okrenite ga nazad da biste ga otključali.

D-1	Indikator zaključavanja
D-2	Dugme za podešavanje deflektora

ODRŽAVANJE

OPŠTE ODRŽAVANJE

Izbegavajte korišćenje rastvarača kada čistite plastične delove. Većina plastike je podložna oštećenjima od raznih tipova komercijalnih rastvarača i može se oštetiti njihovom upotrebom. Koristite čiste krpe da uklonite zemlju, prašinu, ulje, masnoću itd.

⚠ UPOZORENJE: Kad čistite dodatak lopate za sneg, NE potapajte ga u vodu ili druge tečnosti.

MONTIRANJE I ODVAJANJE ŠIPKE STRUGAČA

1. Izvadite bateriju iz pogonske glave.
2. Položite dodatak lopate za sneg na bočnu stranu ili u bilo koji drugi pogodan položaj za servisiranje šipke strugača.
3. Uklonite četiri vijka na prednjoj strani šipke strugača, kao i dva vijka na oba kraja. Koristite odvijač (nije priložen) da ih odvrnete (slika E i F).

E-1	Šipka strugača
-----	----------------

- Zamenite pohabanu šipku strugača novom, ako je potrebno.
- Da ponovo sklopite, umetnite novu šipku strugača, poravnavajući šest rupa, umetnite šest vijaka u rupe i pričvrstite ih odvijačem (nije priložen).

PODMAZIVANJE PRENOSNIH ZUPČANIKA

Prenosni zupčaniци u menjaču brzina treba periodično da se podmazuju mazivom za zupčanike. Proveravajte nivo maziva u menjaču brzina na svakih oko 50 sati rada tako što ćete ukloniti zaptivni vijak na bočnoj strani kućišta.

Ako se mazivo ne vidi na bočnim stranama zupčanika, pratite korake ispod da biste sipali mazivo za zupčanike do 3/4 kapaciteta.

Nemojte potpuno napuniti menjač brzina.

- Postavite dodatak uspravno tako da zaptivni vijak bude okrenut nagore (slika G).

G-1	Kućište prenosnika
G-2	Zaptivni vijak

- Pomoću priloženog višenamenskog ključa olabavite zaptivni vijak i uklonite ga.
- Pomoću šprica za mazivo (nije priložen) ubrizgajte malo maziva u rupicu vijaka; nemojte prekoračiti 3/4 kapaciteta.
- Zategnite zaptivni vijak posle ubrizgavanja.

TRANSPORTOVANJE I SKLADIŠTENJE

- Izvadite komplet baterija iz alata.
- Temeljno očistite alat pre no što ga uskladištite.

Skladištite alat na suvom, dobro provetrenom mestu, zaključan ili na visini, van domašaja dece. Ne skladištite alat na ili pored đubriva, benzina ili drugih hemikalija.

Zaštita životne sredine



Ne odlažite električne uređaje kao nesortirani komunalni otpad, koristite specijalizovana mesta za prikupljanje otpada. Obratite se lokalnoj upravi za informacije o dostupnim sistemima prikupljanja otpada.

Ako se električni aparati odlažu na deponije ili đubrišta, opasne supstance mogu da iscuru u podzemne vode i dospeju u lanac ishrane, nanoseći štetu vašem zdravlju i dobrobiti.

REŠAVANJE PROBLEMA

PROBLEM	UZROK	REŠENJE
Lopata za sneg neće da startuje.	<ul style="list-style-type: none">■ Prazna baterija■ Dugme za zaključavanje ili okidač nisu pravilno korišćeni.■ Baterija nije u potpunosti umetnuta u kućište.	<ul style="list-style-type: none">■ Napunite bateriju.■ Pratite odeljak „POKRETANJE/ZAUSTAVLJANJE POGONSKE GLAVE“ u priručniku za PH1400E.■ Proverite da li je baterija u potpunosti umetnuta u kućište.
Mašina je očigledno oštećena.	<ul style="list-style-type: none">■ Abnormalno oštećenje tokom transporta ili upotrebe.	<ul style="list-style-type: none">■ Nemojte nastaviti korišćenje, pošaljite u specijalizovani servisni centar na popravku.
Lopata za sneg ostavlja tanak sloj.	<ul style="list-style-type: none">■ Šipka strugača je pohabana.	<ul style="list-style-type: none">■ Zamenite šipku strugača.
Neočekivano isključivanje tokom rada	<ul style="list-style-type: none">■ Preopterećena mašina■ Baterija ili mašina je pregrejana.	<ul style="list-style-type: none">■ Smanjite intenzitet opterećenja mašine.■ Ohladite bateriju ili alat pre rada.

GARANCIJA

EGO POLITIKA GARANCIJE

Posetite veb-lokaciju egopowerplus.com za potpune uslove i odredbe EGO politike garancije.

PROČITAJTE UPUTSTVO U CIJELOSTI!



PROČITAJTE KORISNIČKI PRIRUČNIK.

Prije rukovanja ovom jedinicom s razumijevanjem pročitajte sva uputstva na mašini i uputstvima za upotrebu i pridržavajte ih se. Detaljno se upoznajte s upravljačkim elementima i propisnom upotrebom mašine. Upoznajte se s načinom brzog zaustavljanja jedinice i deaktiviranja upravljačkih elemenata.

⚠ Preostale opasnosti! Osobe s elektroničkim uređajima poput srčanih elektrostimulatora prije upotrebe ovog proizvoda trebaju se posavjetovati sa svojim ljekarom. Rad električne opreme u neposrednoj blizini srčanih elektrostimulatora može uzrokovati smetnju ili kvar srčanog elektrostimulatora.

⚠ UPOZORENJE! Radi osiguranja sigurnosti i pouzdanosti, sve popravke i zamjene treba obavljati kvalifikovani servisni tehničar.

SIGURNOSNI SIMBOLI

Svrha sigurnosnih simbola je skretanje pažnje na moguće opasnosti. Sigurnosni simboli i njihova objašnjenja zahtijevaju vašu potpunu pažnju i razumijevanje. Simboli upozorenja sami po sebi ne isključuju opasnost. Uputstva i upozorenja koja pružaju nisu zamjena za propisne mjere za prevenciju nesreća.

⚠ UPOZORENJE! Prije upotrebe ovog alata pobrinite se da sva sigurnosna uputstva u ovom korisničkom priručniku, uključujući sve sigurnosne simbole kao što su “**OPASNOST**,” “**UPOZORENJE**,” i “**OPREZ**” pročitate s razumijevanjem. Zanemarivanje svih uputstava navedenih u nastavku može rezultirati strujnim udarom, požarom i/ili teškim tjelesnim povredama.

ZNAČENJE SIMBOLA

SIGURNOSNI SIMBOL UPOZORENJA: ukazuje na **OPASNOST**, **UPOZORENJE** ILI **OPREZ** i može se upotrebljavati u kombinaciji s drugim simbolima ili piktogramima.



⚠ UPOZORENJE! Rukovanje električnim alatima može rezultirati odbacivanjem stranih predmeta u oči, što opet može izazvati teška oštećenja očiju. Prije početka rukovanja električnim alatom, uvijek nosite zatvorene zaštitne naočale ili zaštitne naočale s bočnim štitnicima, a prema potrebi i štitnik za cijelo lice. Preporučujemo nošenje sigurnosne maske proizvođača Wide Vision preko naočala ili nošenje standardnih zaštitnih naočala s bočnim štitnicima.

SIGURNOSNA UPUTSTVA

Na ovoj stranici slikovno su prikazani i objašnjeni sigurnosni simboli koji se mogu pojaviti na ovom proizvodu. Prije pokušaja sastavljanja i rukovanja, s razumijevanjem pročitajte sva uputstva na proizvodu i pridržavajte ih se.



Mjere opreza koje se odnose na vašu sigurnost.



Kada upotrebljavate ovaj proizvod, uvijek nosite zatvorene zaštitne naočale ili zaštitne naočale s bočnim štitnicima i štitnik za cijelo lice.



Stopala držite podalje od rotirajućeg pepelera.



Radi smanjenja opasnosti od povreda, prije upotrebe ovog proizvoda korisnik treba pročitati ovaj korisnički priručnik.



Nemojte rukama otčepljivati kanal.



Proizvod nemojte upotrebljavati na kiši ili nemojte ga ostavljati na otvorenom kada pada kiša.

CE Ovaj proizvod je u skladu s primjenjivim Direktivama EU.



Otpadni električni proizvodi ne smiju se odlagati s otpadom iz domaćinstva. Odnosite ih u ovlaštenu centar za reciklažu.

V Napon

cm Centimetar

≡ Istosmjerna struja

UK CA Ovaj proizvod je u skladu s važećim zakonodavstvom Velike Britanije.

IPX4 Zaštita od prodiranja vode, stepen 4.

mm Milimetar

kg Kilogram

OPĆA SIGURNOSNA UPOZORENJA ZA ELEKTRIČNE ALATE

▲ UPOZORENJE! Pročitajte sva sigurnosna upozorenja, uputstva, sve ilustracije i specifikacije isporučene s ovim električnim alatom. Zanemarivanje svih uputstava navedenih u nastavku može rezultirati strujnim udarom, požarom i/ili teškim povredama.

SAČUVAJTE SVA UPOZORENJA I UPUTSTVA ZA BUDUĆE POTREBE.

Pojam "električni alat" u upozorenjima odnosi se na vaš električni alat na strujni pogon (s kablom) ili električni alat na baterijski pogon (bez kabela).

SIGURNOST RADNOG PODRUČJA

- Radno područje održavajte čistim i dobro osvijetljenim. Pretrpana ili mračna područja izazivaju nesreće.
- Ne koristite električne alate u eksplozivnoj atmosferi, na primjer u prisutnosti zapaljivih tekućina, plinova ili prašine. Električni alat stvara iskre koje mogu zapaliti prašinu ili isparenja.
- Djecu i druge prisutne osobe držite podalje tokom rada s električnim alatom. Ometanja mogu rezultirati gubitkom kontrole nad alatom.

LIČNA SIGURNOST

- Budite oprezni, gledajte šta radite i koristite se uobičajenim osjećajem kada radite s električnim alatom. Nemojte upotrebljavati električni alat kada ste umorni ili pod uticajem opojnih sredstava, alkohola ili lijekova. Trenutak nepažnje tokom rada s električnim alatima može rezultirati teškim tjelesnim povredama.
- Upotrebljavajte ličnu zaštitnu opremu. Uvijek nosite zaštitu za oči. Zaštitna oprema poput maske za zaštitu od prašine, neklizajuće sigurnosne obuće, kacige ili

zaštite za sluh upotrijebljena za odgovarajuće uslove smanjit će tjelesne povrede.

- Sprječite nenamjerno pokretanje. Prije spajanja na izvor napajanja i/ili komplet baterija, uzimanja ili nošenja alata uvjerite se da se prekidač nalazi u isključenom položaju. Nošenje električnih alata s prstom na prekidaču ili napajanje električnih alata koji imaju uključenu prekidač izaziva nesreće.
- Prije uključivanja električnog alata uklonite sve ključeve za podešavanje ili ključeve. Ključ ili ključ za podešavanje ostavljen pričvršćen na rotacijski dio električnog alata može rezultirati tjelesnim povredama.
- Nemojte se previše naginjati prema naprijed. Cijelo vrijeme održavajte propisno držanje i ravnotežu. To će omogućiti bolju kontrolu nad električnim alatom u neočekivanim situacijama.
- Obucite se prikladno. Nemojte nositi široku odjeću ili nakit. Kosu, odjeću i rukavice uvijek držite podalje od dijelova koji se kreću. Dijelovi koji se kreću mogu zahvatiti široku odjeću, nakit ili dugu kosu.
- Ako su uređaji namijenjeni za spajanje sistema za izvlačenje i sakupljanje prašine, pobrinite se da se propisno spoje i upotrebljavaju. Upotrebom uređaja za sakupljanje prašine mogu se smanjiti opasnosti koje se odnose na prašinu.
- Nemojte dozvoliti da vas poznavanje alata stečeno čestom upotrebom učini samodopadnim pa da ignorirate sigurnosne principe za alat. Nemarne radnje u djeliću sekunde mogu rezultirati teškim povredama.

UPOTREBA I NJEGA ELEKTRIČNOG ALATA

- Nemojte preopterećavati električni alat. Upotrebljavajte ispravan električni alat za svoju primjenu. Ispravan električni alat bolje će i sigurnije odraditi posao pri brzini za koju je predviđen.

- **Nemojte upotrebljavati električni alat ako ga prekidač ne uključuje i isključuje.** Svaki električni alat koji se ne može kontrolisati prekidačem opasan je i potrebno ga je popraviti.
- **Ako je odvojiv, komplet baterija izvadite iz električnog alata i/ili aktivirajte uređaj za deaktivaciju baterije prije čišćenja zaglavljelog materijala, obavljanja radova podešavanja, zamjene pribora, čišćenja ili skladištenja električnog alata.** Takve preventivne sigurnosne mjere smanjuju rizik od iznenadnog pokretanja električnog alata.
- **Nekorišteni električni alat skladištite izvan dohvata djece i nemojte dozvoliti da osobe koje ne poznaju električni alat ili ova uputstva rade s električnim alatom.** Električni alati opasni su u rukama neobučениh korisnika.
- **Održavajte električne alate i dodatnu opremu.** Provjerite jesu li pokretni dijelovi centrirani ili spojeni, ima li polomljenih dijelova i postoji li stanje koje može uticati na rad električnog alata. **Ako je oštećen, električni alat dajte na popravak prije upotrebe.** Loše održavani električni alati uzrok su mnogih nesreća.
- **Rezne alate održavajte oštirima i čistima.** Propisno održavani rezni alati s oštrim reznim rubovima vjerovatno se neće spajati i lakši su za upravljanje.
- **Električni alat, dodatnu opremu i alatne nastavke, itd., upotrebljavajte u skladu s ovim uputstvima, uzimajući u obzir radne uslove i posao koji je potrebno obaviti.** Upotreba električnog alata za radove drukčija od namjenske može rezultirati opasnim situacijama.
- **Rukohvate i površinu rukohvata održavajte suhim, čistim i očišćenim od ulja i masti.** Skliski rukohvati i skliske površine rukohvata onemogućuju sigurno rukovanje i upravljanje alatom u neočekivanim situacijama.
- **Držite kabele podalje od radnog područja alata.** Tokom rada kabeli mogu biti zaklonjeni od pogleda i mogu se nehotično oštetiti alatom.

SERVISIRANJE

- **Servisiranje električnog alata prepustite kvalifikovanom osoblju za popravak koje upotrebljava samo identične zamjenske dijelove.** Time će se osigurati održavanje sigurnosti električnog alata.
- **Nemojte nikada servisirati oštećene komplete baterija.** Servisiranje kompleta baterija smiju obavljati samo proizvođač ili ovlašteni serviseri.

⚠ UPOZORENJE! Pročitajte sva sigurnosna upozorenja, uputstva, sve ilustracije i specifikacije isporučene s ovim električnim alatom. Zanemarivanje svih uputstava navedenih u nastavku može rezultirati strujnim udarom, požarom i/ili teškim povredama. Sačuvajte sva upozorenja i uputstva za buduće potrebe.

Sačuvajte sva upozorenja i uputstva za buduće potrebe.

OBUKA

- **Prije rukovanja ovim alatom s razumijevanjem pročitajte sva uputstva na mašini i uputstvima za upotrebu i pridržavajte ih se.** Detaljno se upoznajte s upravljačkim

elementima i propisnom upotrebom opreme. Upoznajte se s načinom brzog zaustavljanja alata i deaktiviranja upravljačkih elemenata.

- Nemojte nikada dozvoliti da djeca rukuju opremom. Nemojte nikada dozvoliti da odrasle osobe rukuju opremom bez propisnih uputa.
- Iz radnog područja udaljite sve prisutne osobe, a posebno malu djecu.
- Budite oprezni kako biste izbjegli sklizavanje ili pad, a posebno kada priključkom lopate za snijeg radite unazad.

PRIPREMA

- Ovu mašinu nemojte nikada upotrebljavati kada se u blizini nalaze osobe, a posebno djeca ili kućni ljubimci.
- Nosite zaštitu za oči i čvrstu obuću cijelo vrijeme dok upotrebljavate ovu mašinu.
- Razmak između proizvoda i drugih prisutnih osoba treba biti najmanje 15 m.
- Nemojte nikada upotrebljavati mašinu kada ste umorni, bolesni ili pod uticajem alkohola ili drugih opojnih sredstava.
- Detaljno pregledajte područje na kojem ćete upotrebljavati opremu i uklonite sve otirača, sanjke, daske, žice i druge strane predmete.
- Nemojte rukovati opremom bez nošenja odgovarajuće zimske odjeće. Izbjegavajte široku odjeću koja se može zahvatiti u dijelove koji se kreću. Nosite zaštitnu obuću koja će poboljšati stabilnost na skliskim površinama.
- Radi zaštite očiju od stranih predmeta koje mašina može odbaciti, tokom rada i radova podešavanja ili popravka uvijek nosite zatvorene zaštitne naočale ili zaštitne naočale s bočnim štitnicima.
- Za sve jedinice s motorima s električnim starterom upotrebljavajte produžne kabele i utičnice u skladu s podacima koje je naveo proizvođač.
- Nemojte nikada pokušavati obavljati podešavanja kada motor radi (osim ako je to izričito preporučio proizvođač).

RAD

- Nemojte stavljati šake ili stopala u blizini ili ispod rotirajućih dijelova. Uvijek se držite podalje od izlaznog otvora.
- Budite vrlo oprezni kada radite na šljunčanim stazama, pješačkim stazama ili putevima ili kada prelazite preko njih. Imajte na umu skrivene opasnosti ili promet.
- Nakon udaranja o strani predmet zaustavite motor, izvadite komplet baterija, detaljno pregledajte priključak

lopate za snijeg na postojanje oštećenja i popravite oštećenje prije ponovnog pokretanja priključka lopate za snijeg ili rada s priključkom lopate za snijeg.

- Ako jedinica počne neuobičajeno vibrirati, zaustavite motor i odmah potražite uzrok. Vibracije u pravilu ukazuju na problem.
- Zaustavite motor uvijek kada napuštate radni položaj, prije čišćenja kućišta sklopa puža i kada obavljate radove popravka, podešavanja ili pregleda.
- Budite vrlo oprezni kada radite na nagibima.
- Priključak lopate za snijeg nemojte nikada upotrebljavati bez propisno postavljenih i funkcionalnih štitnika ili drugih sigurnosnih uređaja.
- Nemojte nikada usmjeravati snijeg prema osobama ili područjima gdje može doći do oštećenja. Držite podalje djecu i druge osobe.
- Nemojte prekoračivati kapacitet mašine pokušavajući čistiti snijeg previsokom brzinom.
- Priključak lopate za snijeg nemojte nikada upotrebljavati pri visokim brzinama kretanja na skliskim površinama. Kada priključkom lopate za snijeg radite unazad, pogledajte iza sebe i budite oprezni.
- Upotrebljavajte samo priključke i dodatnu opremu koju je odobrio proizvođač priključka lopate za snijeg (kao što je šipka strugača).
- Priključak lopate za snijeg nemojte nikada upotrebljavati ako nema dobre vidljivosti ili svjetlosti. Uvijek osigurajte dobro uporište i čvrsto prihvatite rukohvate. Hodajte, nemojte nikada trčati.
- Komplet baterija ili alat nemojte izlagati vatri ili previsokoj temperaturi. Izlaganje vatri ili temperaturi višoj od 100°C može uzrokovati eksploziju.
- Proizvod upotrebljavajte samo s kompletima baterija i punjačima koji su navedeni na sl. B.

ČIŠĆENJE ZAČEPLJENOG SKLOPA PUŽA

Kontakt šaka s rotirajućim sklopom puža najčešći je uzrok povreda koje se povezuju s priključkom lopate za snijeg. Rotirajući sklop puža nemojte nikada čistiti šakama.

Za čišćenje sklopa puža:

- ISKLJUČITE ALAT!
- Izvadite komplet baterija iz alata.
- Pričekajte 10 sekundi kako biste bili sigurni da se puž prestao okretati.
- Uvijek upotrebljavajte alat za čišćenje puža koji je pričvršćen na mašini kao dodatna oprema, a ne šake.

ODRŽAVANJE I SKLADIŠTENJE

- Provjerite sve matične vijke ili pričvršne elemente u čestim intervalima u pogledu propisne pritegnutosti kako biste bili sigurni da je oprema u sigurnom radnom stanju.
- Važne informacije o skladištenju priključka lopate za snijeg na produženi vremenski period uvijek potražite u korisničkom priručniku.
- Održavajte i prema potrebi zamijenite naljepnice sa sigurnosnim napomenama i uputama.
- Neka mašina radi nekoliko minuta kako biste izbjegli smrzavanje sklopa puža.

SACUVAJTE OVA UPUTSTVA. Uputstvima se koristite često i koristite ih za upućivanje drugih osoba koje mogu upotrebljavati ovaj alat. Ako ovaj alat nekom posudite, priložite i ovo uputstvo radi sprečavanja nepropisne upotrebe proizvoda i mogućih povreda.

TEHNIČKI PODACI

Nazivni napon	56 V	
Brzina vrtnje bez opterećenja	1420 ± 10% o/min 1750 ± 10% o/min	
Širina čišćenja	30 cm	
Udaljenost odbacivanja	Do 7,5 m	
Visina prihvata	15 cm	
Preporučena radna temperatura	-10 - 10°C	
Preporučena temperatura skladištenja *Za uređaj BEZ kompleta baterija	-20 - 70°C	
Masa	5,2 kg	
Izmjereni nivo zvučne snage L_{WA}	98 dB(A) K=2,3 dB(A)	
Nivo zvučnog pritiska kod uha rukovaoca L_{PA}	90 dB(A) K=2,5 dB(A)	
Zagarantovani nivo zvučne snage L_{WA} (izmjereno u skladu s Direktivom 2000/14/EZ)	100 dB(A)	
Procjena vibracija a_n :	Prednji pomoćni rukohvat	4,4 m/s ² K=1,5 m/s ²
	Stražnji rukohvat	3,9 m/s ² K=1,5 m/s ²

- Gore navedeni parametri ispitani su i izmjereni za uređaj opremljen pogonskom jedinicom PH1400E.
- Deklarisane ukupne vrijednosti vibracija izmjerene su u skladu sa standardnom metodom ispitivanja i mogu se primjenjivati za poređenje jednog alata sa drugim.
- Deklarisane ukupne vrijednosti vibracija mogu se primjenjivati i u preliminarnoj procjeni izloženosti.

NAPOMENA! Emisija vibracija tokom aktualne upotrebe električnog alata može se razlikovati od deklarirane vrijednosti u kojoj se alat upotrebljavao; Korisnik radi zaštite treba nositi rukavice i štitnike za uši u aktualnim uslovima upotrebe.

SADRŽAJ PAKOVANJA (SL. A)

OPIS

UPOZNAJTE SVOJ PRIKLJUČAK LOPATE ZA SNIJEG (sl. A)

1. Okretno dugme za podešavanje deflektora
2. Drška
3. Brtvni vijak
4. Ploča
5. Deflektor
6. Šipka strugača
7. Puž
8. Vratilo puža
9. Inbus ključ
10. Krajnja kapica

SASTAVLJANJE

⚠ UPOZORENJE! Ako je bilo koji dio oštećen ili ako nedostaje, nemojte upotrebljavati ovaj proizvod dok ne zamijenite dijelove. Upotreba ovog proizvoda oštećenih dijelova ili dijelova koji nedostaju može rezultirati teškim tjelesnim povredama.

⚠ UPOZORENJE! Nemojte pokušavati da modifikujete ovaj proizvod ili da pravite pribor koji nije preporučen za upotrebu s ovim proizvodom. Sve takve izmjene ili modifikacije predstavljaju nepropisnu upotrebu i mogu rezultirati opasnim stanjima koja mogu dovesti do mogućih teških tjelesnih povreda.

OTPAKIVANJE

- Pažljivo pregledajte alat kako biste bili sigurni da nije došlo do loma ili oštećenja tokom transporta.

- Ambalažu nemojte odlagati u otpad dok pažljivo ne pregledate alat i ne budete zadovoljni radom alata.

PRIKLJUČIVANJE PRIKLJUČKA LOPATE ZA SNIJEG NA POGONSKU JEDINICU

Ovaj priključak lopate za snijeg predviđen je za upotrebu s EGO pogonskom jedinicom PH1400E.

Pogledajte poglavlje “**POSTAVLJANJE PRIKLJUČKA NA POGONSKU JEDINICU**” u korisničkom priručniku pogonske jedinice PH1400E.

SKIDANJE PRIKLJUČKA S POGONSKE JEDINICE

Pogledajte poglavlje “**SKIDANJE PRIKLJUČKA S POGONSKE JEDINICE**” u korisničkom priručniku pogonske jedinice PH1400E.

RAD

⚠ UPOZORENJE! Nemojte dozvoliti da vas poznavanje ovog proizvoda učini nepažljivim. Imajte na umu da je za nanošenje teških povreda dovoljan samo djelić sekunde nepažnje.

⚠ UPOZORENJE! Kada upotrebljavate ovaj proizvod, uvijek nosite zatvorene zaštitne naočale ili zaštitne naočale s bočnim štitnicima i štitnik za cijelo lice. Nepostupanje u skladu s tim može rezultirati odbacivanjem predmeta u okoliš ili drugim mogućim teškim povredama.

PRIMJENE

Ovaj proizvod možete upotrebljavati za svrhe navedene u nastavku:

- Čišćenje malih područja u lakim radnim uslovima, kao što su dvorišta, staze i garaže.

UPOTREBA PRIKLJUČKA LOPATE ZA SNIJEG S POGONSKOM JEDINICOM

⚠ UPOZORENJE! Priključak lopate za snijeg nemojte nikada upotrebljavati na zamrznutim jezerima, rijekama ili sličnim površinama. Pucanje leda može uzrokovati smrt ili teške povrede.

⚠ UPOZORENJE! Priključak lopate za snijeg nemojte nikada upotrebljavati na krovnim terasama ili drugim nestabilnim površinama jer to može rezultirati smrću ili teškim tjelesnim povredama.

⚠ UPOZORENJE! Priključak lopate za snijeg nemojte upotrebljavati na ledu jer to može uzrokovati posklizavanje i pad rukovaoca uz moguće teške tjelesne povrede.

⚠ UPOZORENJE! Nemojte nositi široku odjeću, šalove ili nakit. Mogu ih zahvatiti pokretni dijelovi, što može rezultirati smrću ili teškim tjelesnim povredama.

⚠ UPOZORENJE! Priključak lopate za snijeg nemojte nikada usmjeravati prema ljudima ili kućnim ljubimcima. Odbačeni snijeg ili drugi predmeti mogu nanijeti teške tjelesne povrede.

⚠ UPOZORENJE! Uvjerite se da je područje za čišćenje očišćeno od kamenja, štapova, žica, šljunka i drugih predmeta koje bi priključak lopate za snijeg mogao slučajno odbaciti u bilo kojem smjeru i tako nanijeti teške tjelesne povrede rukovaocu i drugim osobama.

Kada upotrebljavate priključak lopate za snijeg, držite alat čvrsto objema rukama tokom rada (sl. C).

- Prije početka rada obratite pažnju na smjer vjetra. Kada je moguće, izbacujte snijeg u smjeru vjetra kako biste izbjegli vraćanje izbačenog snijega u lice.
- Neki dijelovi priključka lopate za snijeg mogu se smrznuti u ekstremnim vremenskim uslovima. Nemojte pokušavati da upotrebljavate alat ako su dijelovi smrznuti.
- Ako alat tokom rada dođe u kontakt s bilo kakvom preprekom, zaustavite ga i izvadite komplet baterija. Alat pažljivo provjerite prije upotrebe.
- Ako je snijeg previše gust i dublji od dubine čišćenja, može biti potrebno više od jednog prolaska da se očisti.

Kada završite s radom, neka alat radi nekoliko minuta kako bi se sav snijeg očistio s puža prije skladištenja.

POKRETANJE/ZAUSTAVLJANJE ALATA

Pogledajte poglavlje “**POKRETANJE/ZAUSTAVLJANJE POGONSKE JEDINICE**” u korisničkom priručniku pogonske jedinice PH1400E.

OKRETNOST DUGME ZA PODEŠAVANJE DEFLEKTORA (sl. D)

Smjer pražnjenja ovog priključka lopate za snijeg može se promijeniti okretanjem okretnog dugmeta za podešavanje deflektora lijevo, naprijed ili desno.

Maksimalni raspon podešavanja okretnog dugmeta je 60° (30° lijevo ili desno).

Okretno dugme će se završiti kada je u krajnjem lijevom ili krajnjem desnom položaju. Pritisnite okretno dugme i okrenite ga unazad da ga odbravite.

D-1	Indikator završenosti
D-2	Okretno dugme za podešavanje deflektora

ODRŽAVANJE

OSNOVNO ODRŽAVANJE

Kada čistite plastične dijelove, izbjegavajte upotrebljavati rastvore. Mnoge plastike mogu se oštetiti različitim vrstama komercijalnih rastvora i mogu se oštetiti njihovom upotrebom. Za uklanjanje prljavštine, prašine, ulja, masti i sl. upotrebljavajte čiste krpe.

⚠ UPOZORENJE! Kada čistite priključak lopate za snijeg, NEMOJTE ga uranjati u vodu ili druge tekućine.

POSTAVLJANJE I UKLANJANJE ŠIPKE STRUGAČA

1. Izvadite komplet baterija iz pogonske jedinice.
2. Priključak lopate za snijeg položite na bočnu stranu ili u neki drugi prikladan položaj za servisiranje šipke strugača.
3. Uklonite četiri vijka na prednjoj strani šipke strugača i dva vijka na oba kraja. Za odvrtanje vijaka upotrijebite odvijač (nije u sadržaju isporuke) (sl. E i F).

E-1	Šipka strugača
-----	----------------

4. Istrošenu šipku strugača zamijenite novom, ako je potrebno.
5. Za ponovno postavljanje umetnite novu šipku strugača, poravnajte šest otvora, u njih umetnite šest vijaka i pričvrstite ih odvijačem (nije u sadržaju isporuke).

PODMAZIVANJE PRIJENOSNIKA

Prijenosnike u kućištu potrebno je povremeno podmazivati mašću za prijenosnike. Nivo masti u kućištu prijenosnika provjeravajte svakih 50 radnih sati uklanjanjem brtvenog vijka na strani kućišta.

Ako se na bočnim stranama prijenosnika ne vidi mast, za punjenje s mašću za prijenosnike do 3/4 zapremine pratite korake u nastavku.

Kućište prijenosnika nemojte puniti u cijelosti.

1. Priključak stavite u okomit položaj tako da brtveni vijak bude okrenut prema gore (sl. G).

G-1	Kućište prijenosnika
G-2	Brtveni vijak

2. Za otpuštanje i uklanjanje brtvenog vijka upotrijebite isporučeni višefunkcijski ključ.
3. Za ubrizgavanje masti u provrt za vijke upotrebljavajte mazalicu (nije u sadržaju isporuke); nemojte prekoračivati 3/4 zapremine.
4. Brtveni vijak pritegnite nakon ubrizgavanja.

TRANSPORT I SKLADIŠTENJE

- Izvadite komplet baterija iz alata.
- Alat dobro očistite prije skladištenja.

Alat skladištite na suhom, dobro prozračenom mjestu koje je moguće zaključati ili koje je na visini izvan dohvata djece. Alat nemojte skladištiti na gnojivima, benzinu ili drugim hemikalijama ili u njihovoj blizini.

Zaštita životne sredine



Električne uređaje nemojte zbrinjavati kao nesortirani komunalni otpad nego se koristite zasebnim mjestima za sakupljanje takve vrste otpada. Za informacije o dostupnim sistemima prikupljanja otpada obratite se lokalnoj nadležnoj službi.

Ako se električni uređaji odlažu na odlagališta otpada ili deponije, opasne tvari mogu iscuriti u podzemne vode i dospjeti u lanac ishrane i negativno uticati na zdravlje i dobrobit ljudi.

OTKLANJANJE PROBLEMA

PROBLEM	UZROK	RJEŠENJE
Lopata za snijeg se ne pokreće.	<ul style="list-style-type: none">▪ Istrošen komplet baterija▪ Dugme za deblokadu ili okidač nisu propisno upotrijebljeni.▪ Baterija nije potpuno umetnuta u kućište.	<ul style="list-style-type: none">▪ Napunite bateriju.▪ Pridržavajte se uputa iz poglavlja "POKRETANJE/ ZAUSTAVLJANJE POGONSKE JEDINICE" u priručniku za pogonsku jedinicu PH1400E.▪ Provjerite je li baterija potpuno umetnuta u kućište.
Mašina je očigledno oštećena.	<ul style="list-style-type: none">▪ Abnormalno oštećenje tokom transporta ili upotrebe.	<ul style="list-style-type: none">▪ Nemojte nastaviti upotrebljavati alat, nego ga pošaljite u ovlašteni servisni centar na popravak.
Lopata za snijeg ostavlja tanak sloj.	<ul style="list-style-type: none">▪ Šipka strugača je istrošena.	<ul style="list-style-type: none">▪ Zamijenite šipku strugača.
Neočekivano isključivanje tokom rada	<ul style="list-style-type: none">▪ Preopterećena mašina▪ Komplet baterija je pregrijan ili je mašina pregrijana.	<ul style="list-style-type: none">▪ Smanjite intenzitet opterećenja mašine.▪ Prije rada ohladite komplet baterija ili alat.

GARANCIJA

POLITIKA GARANCIJE PROIZVOĐAČA EGO

Za sve odredbe i uslove politike garancije proizvođača EGO posjetite internetsku stranicu egopowerplus.com.

קראו את כל ההוראות

קראו את מדריך ההוראות



קראו, הבינו ועקבו אחר ההוראות המופיעות על המכונה ובמדריכים לפני כל הפעלה של היחידה. למדו היטב את הבקורות ואת השימוש המתאים במכונה. למדו איך לעצור את היחידה ואיך לשחרר את הבקורות במהירות.

⚠ סיכון שיורי! אנשים בעלי מכשירים חשמליים כגון קוצבי לב, צריכים להתייעץ עם הרופא(ים) המטפל(ים) בהם לפני השימוש במכשיר זה. הפעלה של ציוד חשמלי בקרבת קוצבי לב עלולה להפריע לפעולת הקוצב או אפילו להפסיק את פעולתו.

⚠ אזהרה: על מנת להבטיח בטיחות ואמינות, יש לבצע את כל התיקונים וההחלפות בעזרת טכנאי שירות מוסמך.

סימני בטיחות

מטרתם של סימני הבטיחות היא למשוך את תשומת לבכם אל סכנות אפשריות. סימני הבטיחות וההסברים שלהם דורשים את תשומת הלב וההבנה המלאות שלכם. סימני הבטיחות בעצמם לא ימנעו כל סכנה. ההוראות והאזהרות אותן הם מספקים לא תחלפנה נקיטת אמצעי מניעה מתאימים בעת תאונה.

⚠ אזהרה: וודאו שאתם קוראים ומבינים את כל הוראות הבטיחות המופיעות במדריך זה למשתמש, כולל את כל סימני התרעות הבטיחות כגון "סכנה", "אזהרה", ו-"זהירות" לפני השימוש במכשיר זה. אי מילוי אחר כל ההוראות המופיעות למטה יכול לגרום אחריו שוק חשמלי, שרפה ו/או פציעות ממורות.

פירוש הסימן

סימן התראת בטיחות: מציין סכנה, אזהרה, או זהירות, יכול להיות מלווה בסימנים או תמונות אחרים.

⚠ אזהרה: הפעלה של כלי עבודה חשמליים עלולה לגרום לעצמים זרים להיזרק אל תוך העיניים, דבר העלול לגרום לנזק חמור לעיניים. לפני ההפעלה של כלי עבודה חשמלי, ענדו תמיד משקפי מגן או משקפי בטיחות עם הגנה צדדית, ובעת הצורך, הגנה עבור כל הפנים. אנו ממליצים על שימוש במסכת בטיחות רחבה מעל למשקפי המגן או על שימוש במשקפי בטיחות עם הגנה צדדית.



הוראות בטיחות

עמוד זה מציין ומתאר את סימני הבטיחות העשויים להופיע על גבי המוצר. קראו, הבינו ועקבו אחר ההוראות המופיעות על המכשיר לפני כל ניסיון להרכיב ולהשתמש בו.

על מנת להפחית את הסיכון לפציעות, על המשתמש לקרוא ולהבין את המדריך למשתמש לפני השימוש במוצר זה.



אמצעים הקשורים לבטיחותכם.



אין להשתמש בידים כדי לפתוח את האשד.



חבשו תמיד משקפי מגן או משקפי בטיחות עם הגנה צדדית, ובעת הצורך, הגנה עבור כל הפנים, בעת הפעלת מוצר זה.



אין להשתמש במזג אוויר גשום או להשאיר בחוץ בגשם.



הרחיקו את הרגליים מן המדחף המסתובב.



מוצר זה תואם לחוקים הרלוונטיים בבריטניה.



מוצר זה תואם לתקנת ה-EC הרלוונטיות.





אין להשליך מוצרים חשמליים ביחד עם אשפה ביתית. הביאו את המכשיר למרכז מחזור מוסמך.

IPX4 הגנה מפני כניסה של מים בדרגה 4.

מ"מ מילימטר

V מתח חשמלי

ק"ג קילוגרם

ס"מ סנטימטר

זרם ישיר

- הסירו כל כלי כוונון או מפתח ברגים לפני ההפעלה של המכשיר החשמלי. מפתח ברגים או כלי כוונון המוצמד אל חלק מסתובב של המכשיר החשמלי עלול לגרום לפציעה אישית חמורה.
- אל תנסו להתמתח רחוק מדי. שימרו על צעד ואיזון בטוחים בכל זמן. הדבר מאפשר שליטה טובה יותר במכשיר החשמלי במצבים לא צפויים.
- לבשו בגדים מתאימים. אל תלבשו בגדים רפויים או תכשיטים. שימרו על השיער שלכם ועל חלקי ביגוד וכפפות הרחק מחלקים נעים. בגדים רפויים, תכשיטים או שיער ארוך עלולים להיתפס בחלקים הנעים.
- אם המכשירים מגיעים ביחד עם חיבור להוצאת אבק ומתקני איסוף, וודאו שאלו מחוברים כהלכה והשימוש בהם נעשה באופן נכון. השימוש במתקני אבק יכול להפחית סכנות הקשורות לאבק.
- אל תאפשרו לעמכם להיות פחות זהירים בגלל שימוש תכופ במכשיר החשמלי, אל תהיו שאננים ואל תתעלמו מהעוררות הבטיחות. פעולה לא זהירה עלולה לגרום לפציעה חמורה בשבריר שנייה.

השימוש והטיפול במכשיר החשמלי

- אל תפעילו כוח על המכשיר החשמלי. השתמשו במכשיר החשמלי המיועד למטרה שלכם. המכשיר החשמלי הנכון יבצע את עבודתו בצורה טובה ובטוחה יותר בקצב בו הוא תוכנן לפעול.
- אל תשתמשו במכשיר החשמלי אם מתג ההפעלה והכיבוי איננו פועל. כל מכשיר חשמלי אשר לא ניתן לשלוט בו בעזרת המתג הוא מסוכן ויש לתקן אותו.
- הסירו את מארז הסוללה מן המכשיר החשמלי, אם ניתן, ו/או הפעילו כל התקן לנטרול סוללה לפני ניקיון של חומרים תקועים, לפני כל כוונון, שינוי של אביזרים, ניקיון או אחסון של המכשיר החשמלי. אמצעי זהירות למניעה אלו מפחיתים את הסיכון להפעלה מקרית של המכשיר החשמלי.
- אחסנו מכשירים חשמליים אשר אינם בשימוש הרחק מהישג ידם של ילדים ואל תאפשרו לאנשים אשר אינם מכירים את המכשיר החשמלי או אשר לא קראו את ההוראות להפעיל את המכשיר החשמלי. מכשירים חשמליים הם מסוכנים כאשר הם בידם של אנשים אשר לא הוכשרו להפעיל אותם.

אזהרות בטיחות כלליות עבור כלי עבודה חשמליים
⚠ אזהרה! קראו את כל אזהרות הבטיחות, את ההוראות, התמונות והמפרטים המסופקים ביחד עם מכשיר חשמלי זה. אי מילוי כל ההוראות המופיעות למטה עלול לגרום להלם חשמלי, שרפה ו/או פציעה חמורה.

שימרו את כל האזהרות וההוראות לעיון עתידי.

המושג "כלי עבודה חשמלי" בחלק האזהרות מתייחס אל כלי העבודה החשמלי שלכם (חוטני) או כלי עבודה חשמלי המונע על ידי סוללות (אלחוטי).

בטיחות סביבת העבודה

- שימרו על סביבת העבודה נקייה ומוארת כהלכה. סביבות לא מסודרות ואפלות מזמינות תאונות.
- אל תפעילו את המכשיר החשמלי באזורים דליקים, בנוכחות נוזלים דליקים, גזים, או אבק. המכשירים החשמליים מייצרים ניצוצות העלולים להצית את האבק או האדים.
- בקשו מילדים ומעוברי אורח להתרחק מן המכשיר החשמלי בעת הפעלתו. הסחות דעת עלולות לגרום לכם לאבד שליטה.

בטיחות אישית

- הישארו דרוכים, הביטו במה שאתם עושים והשתמשו בשכל הישר כאשר אתם משתמשים במכשיר החשמלי. נא לא להשתמש במכשיר החשמלי כאשר אתם עייפים או תחת השפעה של סמים, אלכוהול או תרופות. רגע אחד של חוסר תשומת לב בעת הפעלת המכשיר החשמלי עלול לגרום לפציעה אישית חמורה.
- השתמשו בצידוד הגנה אישי. חבשו תמיד מגני עיניים. כאשר נעשה שימוש בצידוד הגנה כגון מסכת אבק, נעלי בטיחות נגד החלקה, כובעים קשים או מגני אוזניים, בתנאים המתאימים, הדבר יפחית את הסיכון לפציעות אישיות חמורות.
- מנעו הפעלה מקרית. וודאו שהמתג נמצא במצב כבוי לפני חיבור של מקור מתח ו/או מארז הסוללה, לפני הרמת המכשיר החשמלי או נשיאתו. נשיאה של מכשירים חשמליים כאשר האצבע שלכם ממוקמת על המתג או חיבור מקורות מתח למכשירים חשמליים הנמצאים במצב פועל, מזמינים תאונות.

הטמפרטורה המצוינים בהוראות אלו. הטענה לא נכונה או מחוץ לטווחי הטמפרטורה המצוינים עלולים לגרום לנזק ולהעלות את הסיכון לשרפה.

שירות

■ **בצעו עבודות שירות על המכשיר החשמלי שלכם רק באמצעות טכנאי שירות מוסמך העושה שימוש בחלקי חילוף זהים בלבד.** הדבר יבטיח שבטיחות המכשיר החשמלי נשמרת.

■ **לעולם אל תבצעו עבודות שירות למאזרי סוללה ניזוקים.** שירות למאזרי סוללה צריך להתבצע רק על ידי היצרן או ספקי שירות מוסמכים.

▲ **אזהרה! קראו את כל אזהרות הבטיחות, את ההוראות, התמונות והמפרטים המסופקים ביחד עם מכשיר חשמלי זה.** אי מילוי כל ההוראות המופיעות למטה עלול לגרום להלם חשמלי, שרפה ו/או אפציעה חמורה. שימרו את כל האזהרות וההוראות לעיון עתידי.

שימרו את כל האזהרות וההוראות לעיון עתידי.

הכשרה

- קראו, הבינו ועקבו אחר ההוראות המופיעות על המכונה ובמדריכים לפני כל הפעלה של הכלי. למדו היטב את הבקורות ואת השימוש המתאים ביצוד. למדו איך לעצור את הכלי ואיך לשחרר את הבקורות במהירות.
- לעולם אל תרשו לילדים להפעיל את היצוד. לעולם אל תרשו למבוגרים להפעיל את היצוד ללא הדרכה מתאימה.
- שימרו על אזור ההפעלה נקי מאנשים אחרים, במיוחד מילדים קטנים.
- היו זהירים והימנעו מהחלקה או נפילה, במיוחד כאשר אתם מפעילים את צרפת את השלג לאחור.

הכנה

- לעולם אל תפעילו את המכונה כאשר ישנם אנשים, במיוחד ילדים, או חיות מחמד בסביבה.
- השתמשו בהגנה לעיניים ובנעליים מוצקות בעת השימוש במכשיר.
- המרחק בין המכשיר ובין האנשים הנמצאים בקרבתו צריך להיות לפחות 15 מ'.
- לעולם אל תפעילו את המכשיר כאשר המפעיל עייף, חולה או תחת השפעת אלכוהול או סמים אחרים.
- בדקו בעיון את האזור בו אתם רוצים להשתמש ביצוד והסירו את כל השטיחונים, המחלות, הלוחות, כבלים ועצמים זרים אחרים.
- אין להפעיל את היצוד מבלי ללבוש בגדי חורף מתאימים. הימנעו מבגדים רופפים אשר יכולים להיתפס בחלקים הנעים. לבשו נעליים מגינות אשר תשפרנה את היציבה שלכם על משטחים חלקלקים.

■ תחזקו מכשירים חשמליים ואביזרים. בדקו יישור או ליפוף של חלקים נעים, שבירה של חלקים וכל תנאים אחרים אשר עלולים להשפיע על פעולת המכשיר החשמלי. אם המכשיר החשמלי ניזוק, יש לתקן אותו לפני השימוש בו. תאונות רבות נגרמות כתוצאה מתחזוקה לקויה של מכשירים חשמליים.

■ שימרו על כלי החיתוך חדים ונקיים. לכלי חיתוך אשר תחזקו כהלכה בעלי קצוות חדים יש פחות סיכוי לבצע ליפוף וקל יותר לשלוט בהם.

■ השתמשו במכשירים חשמליים, באביזרים, בחתיכות המכשירים וכו' בהתאם להוראות אלו, כאשר אתם לוחקים בחשבון את תנאי העבודה ואת העבודה שיש לבצע. שימוש במכשיר החשמלי לפעולות אחרות מאשר אלו אליהן הוא מיועד עלול להסתיים במצב מסוכן.

■ שימרו על הידיות ועל חלקי האחיזה יבשים, נקיים וללא שמן או חומרי סיכה. ידיות ומשטחי אחיזה מחליקים לא מאפשרים טיפול נכון ושליטה במכשיר במצבים לא צפויים.

■ שימרו על כבלים הרחק מאזור העבודה של המכשיר. בעת ההפעלה הכבלים עשויים להיות חבויים ועלולים להיפגע בטעות מהמכשיר.

השימוש והטיפול בסוללת הכלי

■ הטעינו רק עם המטען המצוין על ידי היצרן. מטען המתאים למארז סוללה אחד עלול ליצור סכנת אש עבור מארז סוללה אחר.

■ השתמשו במכשירים חשמליים עם מאזרי סוללה המיועדים להם. השימוש במארזי סוללה אחרים עלול ליצור סיכון לפציעות ושרפות.

■ כאשר מארז הסוללה איננו בשימוש, שימרו עליו במרחק מסוים מעצמים אחרים העשויים ממתכת, כגון מהדקי נייר, מטבעות, מתכות, מסמרים, ברגים או עצמים קטנים ממתכת העלולים לבצע חיבור של מסוף אחד למשנהו. ביצוע קצר בין מסופי הסוללה עלול לגרום לכוויות או שרפה.

■ **בתנאי שימוש לא נאותים, נודל עלול להיפלט מן הסוללה הימנעו ממגע.** אם ישנו מגע מקרי, נסו במים. אם מתרחש מגע עם העיניים, בנוסף, פנו לעזרה רפואית. נודל הנפלט מן הסוללה עלול לגרום לפריחה או כוויות.

■ אל תשתמשו במארז סוללה או מכשיר חשמלי ניזוקים או אשר שוננו. סוללות ניזוקות או אשר שוננו עלולות להתנהג בצורה לא צפויה אשר עלולה להסתיים בשרפה, פיצוץ או סיכון לפציעה אישית.

■ אל תחשפו את מארז הסוללה או את המכשיר לאש או למטמפרטורות גבוהות. חשיפה אל אש או אל טמפרטורות הגבוהות מ-100°C עלולה לגרום לפיצוץ.

■ בצעו את כל האזהרות וההטענה ולא תטעינו את מארז הסוללה או את הכלי החשמלי מחוץ לטווחי

ניקוי של הרכבת מקדח סתומה

מגע יד עם הרכבת מקדח מסתובבת הוא הגורם הנפוץ ביותר לפציעה הקשור לצרופת את השלג. לעולם אל תשתמשו בידי לניקוט את הרכבת המקדח המסתובבת.

כדי לנקות את הרכבת המקדח:

- כבו את הכלי!
- הסירו את מארז הסוללה מן המכשיר.
- המתינו 10 שניות על מנת לוודא שהמקדח עצר את סיבובו.
- יש להשתמש תמיד בכלי לניקוי המקדח המצורף אל המכונה כאביזר, אין להשתמש בידיים שלכם.

תחזוקה ואחסון

- בדקו את כל הברזים או אבזמים לעתים קרובות על מנת לוודא הידוק מתאים ולהבטיח הפעלה בתנאי עבודה בטוחים.
- עיינו תמיד במדריך למפעיל עבור פרטים חשובים אם צרופת את השלג תהיה מאוחסנת לתקופת זמן ארוכה.
- שימרו על או החליפו תגיזות בטיחות והוראות, כנדרש.
- הפעילו את המכונה לכמה דקות על מנת למנוע היווצרות של קרח על הרכבת המקדח.

שמירו על הוראות אלו. עיינו בהן בתדירות גבוהה והשתמשו בהן על מנת להדריך אחרים אשר עשויים להשתמש במכשיר. אם אתם מלווים את הכלי למישהו אחר, תנו לו גם את ההוראות הללו על מנת למנוע שימוש לא נכון של המכשיר או פציעות אפשריות.

מפרטים

מתח מדורג	56V
מהירות ללא עומס	1420±10% סיבובים לדקה 1750±10% סיבובים לדקה
רוחב פינו	30 ס"מ
מרחק זריקה	עד 7.5 מטר
גובה פתח	15 ס"מ
טמפרטורת הפעלה מומלצת	-10-10°C
טמפרטורת אחסון מומלצת *עבור הציוד ללא מארז סוללה	-20-70°C
משקל	5.2kg
רמת עוצמת קול נמדדת L _{WA}	98 dB(A) K=2.3 dB(A)

- עמדו תמיד משקפי מגן או ציוד מגן בעת ההפעלה ובעת ביצוע כווננים או תיקונים על מנת להגן על עינכם מעצמים זרים אשר עלולים להיזרק מן המכונה.
- השתמשו בכבלים מאריכים וכלי קיבול המצוינים על ידי היצרן עבור כל היחידות בעלות מנועים המותחלים באופן חשמלי.
- לעולם אין לנסות לבצע כל כוונן כאשר המנוע פועל (אלא אם כן הדבר מומלץ על ידי היצרן).

הפעלה

- אל תניחו את הידיים או הרגליים שלכם ליד או מתחת לחלקים מסתובבים. אל תעמדו ליד פתח הפריקה בכל עת.
- היו מאוד זהירים בעת הפעלה על או בעת חצייה של דרכי חצץ, שבילים או כבישים. היו דרוכים לזהות סכנות חבויות ותנועה.
- לאחר הפגיעה בעצם זר, הפסיקו את פעולת המנוע, הסירו את מארז הסוללה, בדקו בפידה את צרופת את השלג עבור נזקים ותקנו נזקים לפני הפעלה מחדש של צרופת את השלג.
- אם היחידה מתחילה לרטוט באופן שאינו נורמלי, עצרו את המנוע וחפשו מיד את הסיבה לכך. רטט הוא בדרך כלל סימן לבעיות.
- עצרו את המנוע בכל פעם בה אתם עוזבים את עמדת ההפעלה, לפני שחרור של תא הרכבת המקדח ובעת ביצוע של תיקונים, כווננים או בדיקות.
- היו מאוד זהירים בעת הפעלה על גבי מדרונות.
- לעולם אל תפעילו את צרופת את השלג ללא מגנים מתאימים או כאשר אמצעי ההגנה הנוספים אינם נמצאים במקומם.
- לעולם אין לכוון את הפריקה לעבר אנשים או אזורים בהם עלול היווצר נזק לרכוש. התרחקו מילדים או אנשים אחרים.
- אין להפעיל עומס יתר על המכונה על ידי ניסיון לנקות את השלג בקצב מהיר מדי.
- לעולם אין להפעיל את צרופת את השלג במהירויות תנועה גבוהות או על גבי משטחים חלקלקים. הביטו לאחור והיו זהירים בעת ההפעלה לאחור.
- השתמשו רק בצרופות ואביזרים שאושרו על ידי היצרן של צרופת את השלג (כגון סרגל מגרד).
- לעולם אל תפעילו את צרופת את השלג ללא ראות טובה או אור. תמיד היו בטוחים ברגליים שלכם והחזיקו בחוזקה את היחידות; לכו; לעולם אל תרוצו.
- אל תחשפו את מארז הסוללה או את המכשיר לאש או לטמפרטורות גבוהות. חשיפה אל אש או אל טמפרטורות הגבוהות מ-100°C עלולה לגרום לפיצוץ.
- השתמשו רק במארזי הסוללה והמטענים הרשומים בציור B.

אביזרים אשר אינם מומלצים לשימוש ביחד עם המסור המוצר. כל שינוי שכזה או הוספה מהווה שימוש לא נכון במכשיר ועלול לגרום לתנאים מסוכנים אשר יובילו לפגיעה אישית אפשרית.

הוצאה מן האריזה

- בדקו את הכלי בקפידה כדי לוודא כי לא התרחשו שבירה או נזק במהלך המשלוח.
- שמרו את חומרי האריזה עד שתבדקו בקפידה ותפעילו בהצלחה את הכלי.

חיבור צרופת את השלג לראש החשמלי

- אביזר צרופת את שלג זה מיועד לשימוש עם ראש חשמלי EGO PH1400E.
- עיינו בסעיף, "חיבור אביזר לראש החשמלי" במדריך למשתמש של הראש החשמלי PH1400E.

הסרת האביזר מהראש החשמלי

- עיינו בסעיף, "הסרת האביזר מן הראש החשמלי" במדריך למשתמש עבור הראש החשמלי PH1400E.

הפעלה

⚠ אזהרה: אל תניחו לעובדה שאתם מכירים את המוצר להפוך אתכם לפחות זהירים. זכרו שחוסר זהירות של שבריר אחד של שנייה מספיק לגרום לפגיעה אישית חמורה.

⚠ אזהרה: חבשו תמיד משקפי מגן או משקפי בטיחות עם הגנה צדדית, ובעת הצורך, הגנה עבור כל הפנים, בעת הפעלת מוצר זה. אם לא תעשו זאת עצמים עלולים להיזרק אל תוך העיניים שלכם ועלולות להיגרם פציעות חמורות אחרות.

יישומים

- אתם יכולים להשתמש במוצר זה רק עבור המטרה להלן:
- ניקיון אזורים קטנים ותנאי עבודה קלים כגון חצרות, שבילים ומסוכים.

שימוש בצרופת את השלג עם הראש החשמלי

⚠ אזהרה: לעולם אל תשתמשו בצרופת את השלג על אגמים קפואים, נהרות או משטחים דומים. אם הקרח נשבר עלולים להתרחש פגיעה חמורה או מוות.

⚠ אזהרה: לעולם אין להשתמש בצרופת את השלג על גבי גגות או משטחים לא יציבים, דבר זה עלול להוביל לפגיעה חמורה או מוות.

⚠ אזהרה: אין להשתמש בצרופת את השלג על גבי קרח, הדבר עלול לגרום למפעיל להחליק או ליפול, דבר העלול לגרום לפגיעה חמורה.

90 dB(A) K=2.5 dB(A)	רמת לחץ קול באוזן המפעיל L_{PA}	
100 dB(A)	רמת עוצמת קול מובטחת L_{WA} (נמדדת על פי EC/2000/14)	
4.4 מ'²/שנייה² K = 1.5 מ'²/שנייה²	ידיית עזרה קדמית	הערכת רטט a_{Hv} :
3.9 מ'²/שנייה² K = 1.5 מ'²/שנייה²	ידיית אחורית	

- הפרמטרים לעיל נבדקים ונמדדים ביחד עם ראש חשמלי PH1400E.
- ערך הרטט הכללי המוצהר נמדד בהתאם לשיטת בדיקה סטנדרטית וניתן להשתמש בו על מנת להשוות ציוד אחד עם ציוד אחר;
- ניתן להשתמש בערך הרטט הכללי המוצהר בהערכה ראשונית של חשיפה.
- הודעה:** פליטת הרטט בעת השימוש המעשי בכלי יכולה להיות שונה מן הערך המוצהר כאשר הכלי נמצא בשימוש; על מנת להגן על המפעיל, על המשתמש ללבוש כפפות ומגני אוזניים בעת השימוש למעשה.

רשימת אריזה (איור A)

תיאור

הכירו את צרופת את השלג שלכם (איור A)

- ידיית כוונון סטייה
- מוט
- בורג איטום
- משטח
- סטייה
- סרגל מגרד
- מקדח
- מוט מקדח
- מפתח משושה
- מכסה אחורי

הרכבה

⚠ אזהרה: אם ישנם חלקים ניזוקים או חסרים, אל תפעילו את המכשיר עד אשר חלקים אלו יוחלפו. שימוש במכשיר זה עם חלקים פגומים או חסרים עלול לגרום לפגיעה אישית חמורה.

⚠ אזהרה: אל תנסו לשנות את המוצר או ליצור

פלסטיק. רוב חלקי הפלסטיק עלולים להיזק מסוגים שונים של ממים מסחריים ועל ידי השימוש בהם. השתמשו במטליות נקיות על מנת להסיר לכלוך, אבק, שמן, חומר סיכה וכו'.

⚠ אזהרה: בעת ניקוי צרופת את השלג, אין להטבילה במים או בנוזלים אחרים.

הרכבה וניתוק של הסרגל המגדר

1. הסירו את מארז הסוללה מהראש החשמלי.
2. הניחו את צרופת את השלג על צידה או בכל תנוחה נוחה אחרת לטיפול בסרגל המגדר.
3. הסירו את ארבעת הברגים בחלק הקדמי של הסרגל המגדר, כמו גם את שני ברגים בשני הקצוות. השתמשו במברג (לא כלול) כדי לשחרר אותם (איור E-1 ו-F).

E-1 | סרגל מגדר

4. החליפו את הסרגל המגדר עם אחד חדש בעת הצורך.
5. כדי להרכיבו מחדש, הכניסו סרגל מגדר חדש, עם ששת החורים מיושרים, הכניסו את ששת הברגים לתוך החורים ואבטחו אותם עם מברג (לא כלול).

שימון הילוכי התמסורת

יש לשמן את הילוכי התמסורת בתיבת הילוכים באופן קבוע עם שמן גיר. בדקו את מפלס שמן הגיר מידי 50 שעות של הפעלה על ידי הסרת בורג האיטום שבצד התיבה.

אם לא ניתן לראות שמן על צדי הילוכים, בצעו את השלבים הבאים כדי למלא את שמן הגיר עד 3/4 מהקיבולת.

אין למלא את תא הילוכי התמסורת במלואם.

1. אגא הניחו את הצרופה במצב אנכי כך שבורג האיטום יפנה כלפי מעלה (איור G).

G-1 | תיבת הילוכים

G-2 | בורג איטום

2. השתמשו במפתח הברגים הרב שימושי המצורף כדי לשחרר ולהוציא את בורג האיטום.
3. השתמשו במזרק שמן (לא מצורף) כדי להזריק חלק מהשמן לחור הבורג, אל תמלאו יותר מ-3/4 מהקיבולת.
4. הדקו את בורג האיטום לאחר ההזרקה.

הובלה ואחסון

- הסירו את מארז הסוללה מן המכשיר.
- נקו את היחידה ביסודיות לפני אחסונה.

⚠ אזהרה: אל תלבשו בגדים רפויים, צעיפים או תכשיטים. אלו יכולים להיתפס בחלקים הנעים ולגרור למוות או לפציעה חמורה.

⚠ אזהרה: לעולם אל תכוונו את צרופת את השלג לכיוון של אנשים או חיות מחמד. שלג או עצמים נזרקים עלולים לגרום לפציעה אישית.

⚠ אזהרה: וודאו שהאזור אותו אתם מפנים משלג נקי מאבנים, מקלות, כבלים, חצץ ועצמים אחרים אשר יכולים בטעות להיזרק על ידי צרופת את השלג לכל כיוון שהוא ולגרור לפציעה אישית חמורה למפעיל או לאנשים אחרים.

בעת שימוש בצרופת את השלג, החזיקו את הכלי עם אחיזה איתנה בשתי הידיים בזמן הפעולה (איור C).

- שימו לב לכיוון הרוח לפני שתחילו. כאשר ניתן, פנו את השלג לאותו הכיוון כמו הרוח על מנת למנוע מן השלג להיזרק חזרה אל הפנים שלכם.
 - חלקים מסוימים של צרופת את השלג יכולים לקפוא בתנאי מזג אוויר קיצוניים. אל תנסו להפעיל את הכלי עם חלקים קפואים.
 - אם הכלי יוצר קשר עם סוג כלשהו של חסימה במהלך הפעולה, הפסיקו אותו והסירו את מארז הסוללה. בדוק את הכלי בקפידה לפני השימוש.
 - אם השלג סמיך ועמוק יותר מעומק הניקוי, ייתכן ששידרש יותר ממעבר אחד כדי לנקות אותו.
- בסיום, תנו לכלי לפעול במשך כמה דקות כדי לאפשר לכל השלג לנקות את המקדח לפני אחסון.

הפעלה/לכיבוי של כלי העבודה

עיינו בסעיף, **הפעלה/לכיבוי של הראש החשמלי** במדריך למשתמש של הראש החשמלי PH1400E.

ידיית כוונן סטייה (איור D)

ניתן לשנות את כיוון הפריקה של צרופת את השלג על-ידי סיבוב ידיית כוונן הסטייה שמאלה, קדימה או ימינה.

טווח ההתאמה המרבי של הידיית הוא 60° (30° אל השמאל או אל הימין).

הידיית תהיה נעולה כאשר היא נמצאת במיקום השמאלי או במיקום הימני ביותר. לחצו על הידיית וסובב אותה לאחור כדי לבטל את נעילתה.

D-1 | אינדיקטור נעילה

D-2 | ידיית כוונן סטייה

תחזוקה

תחזוקה כללית

הימנעו משימוש בממסים כאשר אתם מנקים חלקי

אחסנו את המכשיר במקום יבש, מאוורר היטב, נעול או במקום גבוה, הרחק מהישג ידם של ילדים. אל תאחסנו את הכלי קרוב לחומרי דשן, חומרי דלק או כימיקלים אחרים.

הגנה על הסביבה



אל תיזרקו מכשירים חשמליים כחלק מאשפה ביתית, השתמשו בהתקני איסוף נפרדים. צרו קשר עם משרדים הממשלה המקומיים עבור מידע על מערכות האיסוף הזמינות.

אם ציוד חשמלי מזרק ביחד עם אשפה ביתית או במזבלה, חומרים מסוכנים עלולים למזול אל האדמה ולהפוך לחלק משרשרת המזון, דבר העלול לגרום לנזק לבריאות ולרווחה שלכם.

איתור וטיפול בבעיות

בעיה	סיבה	פתרון
את השלג לא פועל.	<ul style="list-style-type: none"> ■ מארז סוללה מרוקן ■ לא נעשה שימוש נאות בכפתור הנעילה או במתג ההדק. ■ הסוללה אינה מוכנסת במלואה לתא. 	<ul style="list-style-type: none"> ■ הטעינו את הסוללה. ■ עיינו בסעיף, הפעלה/כיבוי של הראש החשמלי" במדריך עבור PH1400E. ■ בדקו אם הסוללה מוכנסת במלואה לתא.
ברור שנגרם נזק למכונה.	<ul style="list-style-type: none"> ■ נזק לא רגיל במהלך השינוע או השימוש. 	<ul style="list-style-type: none"> ■ אל תמשיכו להשתמש, שלחו אותו למרכז התיקונים המיועד לכך.
את השלג משאיר שכבה דקה של שלג.	<ul style="list-style-type: none"> ■ הסרגל המגרד שחוק. 	<ul style="list-style-type: none"> ■ החליפו את הסרגל המגרד.
כיבוי לא צפוי במהלך ההפעלה	<ul style="list-style-type: none"> ■ המכונה עמוסה מדי ■ ישנו חימום יתר של מארז הסוללה או של המכונה. 	<ul style="list-style-type: none"> ■ הפחיתו את עוצמת עומס המכונה. ■ קררו את מארז הסוללה או את הכלי לפני ההפעלה.

אחריות

מדיניות האחריות של EGO

אנא בקרו באתר egopowerplus.com עבור התנאים וההתניות השלמים של מדיניות האחריות של EGO.

اقرأ جميع التعليمات

اقرأ دليل التشغيل



اقرأ جميع التعليمات المذكورة على الآلة وفي الدليل (الأدلة) وافهمها واتبعها قبل تشغيل هذه الوحدة. اعتد جيداً على أدوات التحكم والاستخدام الملائم للآلة. تعرف على كيفية إيقاف الوحدة وفضل تعشيق أدوات التحكم بسرعة.

⚠️ خطر زائد! الأشخاص الذين تم تركيب أجهزة طبية إلكترونية لهم، مثل منظم ضربات القلب، يجب عليهم استشارة الطبيب قبل استخدام هذا المنتج. لأن تشغيل معدات كهربائية بالقرب من منظم ضربات القلب قد ينشأ عنه خلل أو فشل في أداء منظم ضربات القلب.

⚠️ تحذير: لضمان السلامة والاعتمادية، يجب تنفيذ جميع أعمال الإصلاح واستبدال الأجزاء من قبل فني خدمة مؤهل.

رموز السلامة

الغرض من رموز السلامة هو جذب انتباهك إلى المخاطر المحتملة. رموز السلامة والشروح المصاحبة لها تستحق اهتمامك وفهمك الدقيق. تحذيرات كل رمز، بنفسها، لا تمنع وقوع أي خطر. التعليمات والتحذيرات التي تمنحك إيها لا تعد بديلاً عن تطبيق الإجراءات الملائمة لمنع وقوع الحوادث.

⚠️ تحذير: احرص على قراءة وفهم جميع تعليمات السلامة في دليل التشغيل هذا، بما في ذلك جميع رموز تنبيهات السلامة، مثل "خطر"، و"تحذير"، و"تنبيه" قبل استخدام هذه الآلة. عدم اتباع جميع التعليمات الواردة أدناه قد يؤدي إلى حدوث صدمة كهربائية أو نشوب حريق أو التعرض للإصابة الشخصية، أحدها أو جميعها.

معنى الرمز

رمز تنبيه السلامة: يشير إلى خطر أو تحذير أو تنبيه، وقد يتم استخدامه بشكل متزامن مع الرموز أو الصور الكتابية الأخرى.

⚠️ تحذير: قد يؤدي تشغيل أي آلة عاملة بالطاقة إلى دخول أي أشياء غريبة في عينيك، وهو ما قد يؤدي إلى إلحاق أضرار خطيرة بالعين. قبل بدء تشغيل الآلة العاملة بالطاقة، احرص دائماً على ارتداء واقيات العينين أو نظارات حماية العينين ذات دروع جانبية، ودرع واقٍ لكامل الوجه عند اللزوم. نوصي بارتداء قناع السلامة واسع الرؤية لاستخدامه فوق نظارات العين أو نظارات السلامة العادية ذات الدروع الجانبية.



تعليمات السلامة

هذه الصفحة تصف وتشرح رموز السلامة التي قد تظهر على هذا المنتج. اقرأ جميع التعليمات المذكورة على الآلة وافهمها واتبعها قبل محاولة تشغيل الآلة وتشغيلها.

احفظ هذا المنتج بعيداً عن متناول الأطفال.
لا تستخدم هذا المنتج قبل قراءة دليل التشغيل قبل استخدامه.



احتياطات تتعلق بسلامتك.



لا تستخدم اليدين لسد أنبوب التفريغ.



ارتد دائماً نظارات الحماية المرودة بواقبات على الجانبين، وابتغي ارتداء واقٍ لكامل الوجه أثناء تشغيل هذا المنتج.



لا تستخدم المنتج تحت المطر أو أن تزكره في مكان مفتوح أثناء هطول المطر.



احفظ بقدميك بعيداً عن الدافع الميكانيكي الدوّار.



هذا المنتج متوافق مع تشريعات المملكة المتحدة المعمول بها.



هذا المنتج متوافق مع توجيهات شهادة الجودة الأوروبية (CE) المعمول بها.



الحماية ضد دخول الماء، من الدرجة 4.

IPX4

لا يجب التخلص من الأجهزة الكهربائية المستهلكة في النفايات المنزلية. توجه بالجهاز إلى مركز إعادة تدوير معتمد.



mm
مليمتر

V
الجهد الكهربائي

kg
كيلوجرام

cm
سنتيمتر

تيار مستمر



الملاحظة بأعمالك. ستقوم الآلة العاملة بالطاقة الملامحة بأداء أعمالك بشكل أفضل وأكثر أمانًا بالمعدل الذي أعدت له.

■ لا تستخدم الآلة العاملة بالطاقة إذا كان مفتاح التشغيل لا يمكن نقله إلى وضع التشغيل أو وضع الإيقاف، أي آلة عاملة بالطاقة لا يمكن التحكم فيها بمفتاح التشغيل تعتبر خطيرة وينبغي إصلاحها.

■ خلع مجموعة البطارية - إذا كانت قابلة للخلع - من الآلة العاملة بالطاقة و/أو قم بتفجير أي جهاز تعطل للبطارية قبل تنظيف الانسدادات، أو عمل أي تعديلات، أو تغيير الملحقات، أو التنظيف، أو تخزين الآلات العاملة بالطاقة. إجراءات السلامة الوقائية هذه تحد من خطر تشغيل الآلة العاملة بالطاقة بشكل خاطئ.

■ خزّن الآلات العاملة بالطاقة غير المستخدمة بعيدًا عن متناول أيدي الأطفال ولا تسمح للأشخاص غير المعتادين على استخدام الآلات العاملة بالطاقة أو على هذه التعليمات بتشغيل الآلة. الآلات العاملة بالطاقة تكون خطيرة في أيدي الأشخاص غير المدربين.

■ حافظ على الآلات العاملة بالطاقة والملحقات. تحقق من عدم معاداة الأجزاء المتحركة أو ربطها، أو وجود كسور في الأجزاء، أو أي حالة أخرى قد تؤثر على عمل الآلة. إذا كان هناك تلف، فقم بإصلاح الآلة العاملة بالطاقة قبل استخدامها. فالعديد من العوالت يكون سببها الآلات التي لم تتم صيانتها.

■ احتفظ بالأدوات القاطعة حادة ونظيفة. الأدوات القاطعة التي تتم صيانتها كما ينبغي للاحتفاظ بعواطفها القاطعة حادة تكون أقل عرضة لالتحنا وسهل التحكم فيها.

■ استخدم الآلة والملحقات واللحم وما شابههم وفقًا لهذه التعليمات، مع الأخذ في الاعتبار ظروف العمل والأعمال التي سيتم تنفيذها. قد يؤدي استخدام الآلة في أعمال غير تلك المخصصة لها إلى حوادث خطيرة.

■ احتفظ بالمقبض وأسطح الإمساك جافة ونظيفة وخالية من الزيوت والشحوم. لأن المقبض وأسطح الإمساك المنزلة لا تمنحك القدرة على التعامل والتحكم الآمنين في الآلة في المواقف غير المتوقعة.

■ أبقِ الكابلات بعيدًا عن منطقة عمل الآلة. أثناء التشغيل، قد تكون الكابلات غير مرئية، فتعرض للتلوث دون قصد بفعل الآلة.

استخدام الآلة العاملة بالبطارية والعناية بها

■ لا تُعد شحن الآلة إلا باستخدام الشاحن المحدد بواسطة الشركة الصانعة. فالشاحن الملائم لنوع من مجموعات البطارية قد يتسبب في نشوب حريق إذا تم استخدامه مع مجموعة بطارية أخرى.

■ استخدم الآلات العاملة بالطاقة مع مجموعات البطاريات المخصصة لها فقط. لأن استخدام أي مجموعات بطارية أخرى قد يؤدي إلى التعرض لإصابات أو نشوب حريق.

■ عند عدم استخدام مجموعة البطارية، احتفظ بها بعيدًا عن الأغراض المعدنية الأخرى مثل مشابك الأوراق والعملات المعدنية أو المفاتيح أو المسامير أو البراغي أو الأغراض المعدنية الصغيرة الأخرى التي قد تتسبب في عمل دائرة قصر (فقل للدائرة) بين أقطاب البطارية. عمل دائرة قصر (فقل للدائرة) بين أطراف البطارية قد يتسبب في حروق أو نشوب حريق.

■ في حالات التعامل السيء، قد يحدث ارتشاح للسوائل من البطارية؛ لا تلاصقها. إذا حدثت ملامسة بشكل عرضي، فاغسلها بالماء، إذا لامس السائل العينين، فاطلب المساعدة الطبية على الفور. السائل المرشح من البطارية قد يتسبب في حدوث احتياج في الجلد أو حروق.

■ لا تستخدم مجموعة البطارية أو الآلة إذا كانا تالفين أو تم إدخال تعديلات عليهما. لأن البطاريات التالفة أو التي تم تعديلها قد تعمل بشكل غير متوقع، وهو ما قد يؤدي لنشوب حريق أو حدوث انفجار أو خطر التعرض لإصابة.

■ لا تقم بتعرض مجموعة البطارية أو الآلة للحريق أو درجات الحرارة الزائدة. التعرض لدرجات الحرارة الأعلى من 100 درجة مئوية قد يؤدي لحدوث انفجار.

تحذيرات العامة المتعلقة بالآلة العاملة بالطاقة

▲ **تحذير! اقرأ جميع تحذيرات السلامة والتعليمات والرسوم التوضيحية والمواصفات المرتبطة مع هذه الآلة.** عدم اتباع جميع التعليمات الواردة أدناه قد يؤدي إلى حدوث صدمة كهربائية أو نشوب حريق أو التعرض للإصابة، أحدها أو جميعها.

احتفظ بجميع التحذيرات والتعليمات للرجوع إليها في المستقبل.

يشير مصطلح "آلة عاملة بالطاقة" في التحذيرات إلى الآلة العاملة بالطاقة (الموصولة بسلك تيار) أو الآلة العاملة بالبطارية (غير الموصولة بسلك تيار).

سلامة منطقة العمل

■ حافظ على منطقة العمل نظيفة ومضادة جيدًا. حيث عادة ما تتسبب المناطق المظلمة أو التي بها ركام إلى وقوع حوادث.

■ لا تقم بتشغيل الآلات العاملة بالطاقة في أجواء قابلة للانفجار، على سبيل المثال في وجود سوائل أو غازات أو غبار قابلة للاشتعال. فقد تتسبب الآلات العاملة بالطاقة في صدور شرارة، والتي قد تتسبب في اشتعال الغبار أو الأبخرة القابلة للاشتعال.

■ احتفظ بالأطفال والمشاهدين بعيدًا عن موقع استعمال الآلة العاملة بالطاقة. حيث أن الإلهامات قد تجعلك تفقد السيطرة على الآلة.

السلامة الشخصية

■ ابق متنبهًا، وانتبه جيدًا لما تفعله، وكن وعيًا عند تشغيل آلة تعمل بالطاقة. لا تستخدم أي آلة عاملة بالطاقة وأنت مجهد أو تحت تأثير المخدرات أو الكحوليات أو الأدوية. قد تؤدي لحظة من عدم الانتباه أثناء تشغيل الآلات العاملة بالطاقة إلى حدوث إصابات شخصية خطيرة.

■ استعن بمعدات الحماية الشخصية. وارند دائمًا أدوات حماية العينين. سويدي استخدام أدوات الحماية كقناع الغبار أو أذنية السلامة المضادة للانزلاق أو القبعة الصلبة أو أدوات حماية السمع في ظروف مناسبة إلى الحماية من الإصابات الشخصية.

■ ابع يد تشغيل الآلة غير المتعمد. احرص على أن يكون مفتاح الطاقة في وضع الإيقاف قبل توصيل الآلة بمصدر التيار أو مجموعة البطاريات، أو النقاط الآلة أو حملها. قد يتسبب حمل الآلات العاملة بالطاقة وإصبعك على مفتاح التشغيل أو شحنتها ومفتاح التشغيل على وضع التشغيل في وقوع حوادث.

■ أزل أي مفتاح تعديل أو مفتاح ربط قبل تشغيل الآلة العاملة بالطاقة. قد يؤدي ترك مفتاح ربط أو مفتاح عادي مرتكبا على جزء دوار بالآلة العاملة بالطاقة إلى وقوع إصابات شخصية.

■ لا تقف في مكان تضطر لمُد يدك بعيدًا. قف وأنت ثابت ومتوازن في جميع الأوقات. وهو ما يسمح بتحكم أفضل في الآلة العاملة بالطاقة في الظروف غير المتوقعة.

■ ارتد الملابس الملائمة. لا ترتد ملابس أو مجوهرات غير ثابتة. احتفظ بشعرك وملاصق وفقاظك بعيدًا عن الأجزاء المتحركة. قد تعلق الملابس الفضفاضة أو المجوهرات أو الشعر الطويل في الأجزاء المتحركة.

■ إذا تم تقديم أجهزة خاصة بتوصيل أدوات استخراج وجمع الغبار، فأحرص على توصيلها واستخدامها عن النحو اللازم. قد يؤدي استخدام أجهزة الغبار إلى الحد من المخاطر المرتبطة به.

■ لا تدع الخبيرة المتكسبة من الاستخدام المتكرر للآلات يجعلك تتعامل دون الانتباه اللازم وتتجاهل مبادئ السلامة المتعلقة بالآلة. فقد يتسبب أي إجراء غير مدروس في إصابات خطيرة في جزء من الثانية.

استخدام الآلة العاملة بالطاقة والعناية بها

■ لا تجر الآلة العاملة بالطاقة على أعمال تفوق قدرتها. استخدم الآلة العاملة بالطاقة

اتب تعليمات الشحن ولا تشحن مجموعة البطارية أو الآلة في نطاق درجة حرارة خارج النطاق المحدد في التعليمات. قد يؤدي الشحن غير المضبوط أو في درجات حرارة خارج النطاق المسموح به إلى تلف البطارية وخطر نشوب حريق.

الصيانة

ينبغي إجراء الصيانة على الآلة بواسطة فني إصلاح متخصص باستخدام قطع غيار أصلية مطابقة فقط. فهذا سيضمن المحافظة على سلامة الآلة.

لا تقم بصيانة مجموعات البطارية التالفة بأي حال من الأحوال. بل ينبغي أن تكون صيانة مجموعات البطارية من خلال الشركة الصانعة أو مقدمي الخدمة المعتمدين فقط.

⚠ تحذير! اقرأ جميع تحذيرات السلامة والتعليمات والرسوم التوضيحية والمواصفات المرفقة مع هذه الآلة. عدم اتباع جميع التعليمات الواردة أدناه قد يؤدي إلى حدوث مدممة كهربائية أو نشوب حريق أو التعرض للإصابة، أحدها أو جميعها. احتفظ بجميع التحذيرات والتعليمات للرجوع إليها في المستقبل.

احتفظ بجميع التحذيرات والتعليمات للرجوع إليها في المستقبل.

التدريب

اقرأ جميع التعليمات المذكورة على الآلة وفي الدليل (الأدلة) وافهمها واتبعها قبل تشغيل هذه الآلة. اعتد جيداً على أدوات التحكم والاستخدام الملائم للآلة. تعرف على كيفية إيقاف الآلة وفصل وتشغيل أدوات التحكم بسرعة.

لا تسمح أبداً للأطفال بتشغيل الآلة. لا تسمح أبداً للبالغين بتشغيل الآلة دون اتباع التعليمات الملائمة.

احرص على خلو منطقة العمل من جميع الأشخاص، وخاصة الأطفال الصغار.

كن حذراً كي تتجنب الانزلاق أو السقوط، خاصة عند تشغيل ملحق مجرفة الثلوج أثناء الحركة للوراء.

التحضير

لا تقم أبداً بتشغيل الآلة أثناء تواجد أي أشخاص، خصوصاً الأطفال أو الحيوانات الأليفة، في الجوار.

ارتد أدوات حماية العينين والأحذية المنبتة في جميع الأوقات أثناء تشغيل الآلة.

يجب ألا تقل المسافة بين الآلة والأشخاص الواقفين عن 15 متراً.

لا تقم أبداً بتشغيل الآلة إذا كنت مجهداً أو مريضاً أو تحت تأثير الكحول أو المخدرات الأخرى.

افحص بعناية المنطقة التي سيتم استخدام الآلة فيها وتخلص من جميع دواسات الأقدام والمزالج والأكواب والأسلاك والأشياء الغريبة الأخرى.

لا تقم بتشغيل الآلة دون ارتداء ملابس شتوية مناسبة. تجنب ارتداء ملابس فضفاضة قد تعلق في الأجزاء المتحركة. ارتداء حذاء سحس من ثبات قديم على الأسطح الزلقة.

احرص دائماً على ارتداء نظارات حماية العينين أو واقيات العينين أثناء التشغيل أو أثناء تنفيذ أعمال الضبط أو الإصلاح، لكي تحمي عينيك من الأشياء الغريبة التي قد تتطاير من الآلة.

استخدم أسلاك التثديد والأوعى على النحو الموضح من قبل الشركة الصانعة بالنسبة لجميع الوحدات المحتوية على محركات تعمل بالكهرباء.

لا تحاول مطلقاً إدخال أي تعديلات بينما المحرك يدور (باستثناء الحالات المحددة من قبل الشركة الصانعة).

التشغيل

لا تضع اليدين أو القدمين بالقرب من الأجزاء المتحركة أو أسفلها. حافظ دائماً على نظافة فتحة أنبوب التفريغ.

توخّ الحذر الشديد والحيطه عند تشغيل الآلة على الممرات المفروشة بالحصى أو مناطق التمشية أو الطرق. كن واثقاً ومتنبهاً للمخاطر أو الحركة غير الواضحة.

عند الانزطام بشيء غريب، أوقف المحرك، واخلع مجموعة البطارية، وافحص ملحق مجرفة الثلوج جيداً بحثاً عن أي تلف، وأصلح التلف إن وُجد قبل إعادة تشغيل ملحق مجرفة الثلوج.

إذا بدأت الوحدة في الاهتزاز بشكل غير طبيعي، أوقف المحرك على الفور وافحصها بحثاً عن السبب. فالاهتزاز عادة ما يكون تحذيراً بوجود مشكلة.

أوقف المحرك في أي وقت تفادير فيه مكان العمل، وقبل إزالة الانسداد من هيكل تجميعية البرمة، وعند إجراء أي إصلاح أو تعديل أو فحص.

توخّ الحذر الشديد والحيطه عند تشغيل الآلة في المنحدرات.

لا تقم أبداً بتشغيل ملحق مجرفة الثلوج دون وجود الواقيات الملائمة ومعدات الوقاية الأخرى في مكانها وتعمل على النحو الواجب.

لا تقم بتوجيه المواد المتطايرة من الآلة ناحية الأشخاص أو المناطق التي قد يحدث بها ضرر للممتلكات. احرص على إبقاء الأطفال والأشخاص الآخرين بعيداً.

لا ينبغي زيادة الحمل على الآلة عن طريق محاولة إزالة الثلوج بوتيرة سريعة للغاية.

لا تقم أبداً بتشغيل ملحق مجرفة الثلوج على سرعات نقل عالية على الأسطح الزلقة. انظر خلفك واتنبه جيداً عند تشغيل الآلة أثناء الحركة للوراء.

استخدم فقط المرفقات والملاحقات المعتمدة من قبل الشركة الصانعة للملحق مجرفة الثلوج (مثل قصب المكشطة).

لا تقم أبداً بتشغيل ملحق مجرفة الثلوج دون وجود رؤية أو إضاءة جيدة. تحقق دائماً من موضع قديمك، وأحكم قبضتك على المقابض. يجب عليك المشي، ولا تجري أبداً.

لا تقم بتعرض مجموعة البطارية أو الآلة للحريق أو درجات الحرارة الزائدة. التعرض لدرجات الحرارة الأعلى من 100 درجة مئوية قد يؤدي لحدوث انفجار.

لا تستخدم الآلة إلا مع مجموعات البطارية والشواحن المدرجة في الشكل B.

تنظيف تجميعية البرمة المسدودة

ملامسة اليد لتجميعية البرمة الدوّارة هي السبب الأكثر شيوعاً للإصابة المرتبطة بملحق مجرفة الثلوج. لا تقم أبداً باستخدام يدك في تنظيف تجميعية البرمة الدوّارة.

لتنظيف تجميعية البرمة:

أطفئ الآلة!

اخلع مجموعة البطارية من الآلة.

انتظر 10 ثوانٍ للتأكد من توقف البرمة عن الدوران.

احرص دائماً على استخدام أداة تنظيف البرمة المرفقة مع الآلة كملحق، ولا تستخدم يدك.

الصيانة والتخزين

افحص جميع المسامير وعناصر التثبيت على فترات منتظمة للتأكد من ربطها جيداً في تضمن عمل المعدات في ظروف تشغيل آمنة.

احرص دائماً على مراجعة دليل التشغيل للتعرف على التفاصيل الهامة إذا كنت تنوي تخزين ملحق مجرفة الثلوج لفترة طويلة.

حافظ على ملحق صقلات السلامة والتعليمات واستبدلهم عند اللزوم.

قم بتشغيل الآلة لعدة دقائق لمنع تجمد تجميعية البرمة.

احفظ هذه التعليمات. راجعهم باستمرار واستخدمهم لتوجيه الآخرين عند استخدام هذه الآلة. إذا قمت بإقراض هذه الآلة لشخص آخر، أرفق معها هذه التعليمات لمنع سوء استخدام المنتج والإصابات المحتملة.

9. مفتاح ربط سداسي (الآنكيه)

10. غطاء خارجي

المواصفات

الجهد المقدر	56 فولت
السرعة بدون حمل	1420±10% لفة في الدقيقة 1750±10% لفة في الدقيقة
عرض منطقة الإزالة	30 سم
مسافة القذف	حتى 7.5 م
ارتفاع المدخل	15 سم
درجة حرارة التشغيل الموصى بها	10 - 10 درجة مئوية
درجة حرارة التخزين الموصى بها *للجهاز بدون مجموعة البطارية	20 - 70 درجة مئوية
الوزن	5.2 كجم
مستوى قوة الصوت المُقدَّر L_{WA}	98 ديسيبل (A) 2.3 K=2.3 ديسيبل (A)
مستوى ضغط الصوت عند أذن مُشغل الآلة L_{PA}	90 ديسيبل (A) 2.5 K=2.5 ديسيبل (A)
مستوى قوة الصوت المضمون L_{WA} (تم قياسه وفقاً للمعيار EC/2000/14)	100 ديسيبل (A)
القيمة المقدرة للاهتزاز a_{ha}	مقبض المساعدة الأمامي 4.4 م/ثانية ² K=1.5 م/ثانية ²
	المقبض الخلفي 3.9 م/ثانية ² K=1.5 م/ثانية ²

التجميع

⚠ تحذير: إذا حدث تلف أو فقد في أي أجزاء، لا تقم بتشغيل هذا المنتج إلا بعد استبدال الأجزاء. استخدام هذا المنتج مع وجود أجزاء تالفة أو مفقود قد يؤدي إلى وقوع إصابات شخصية خطيرة.

⚠ تحذير: لا تحاول إجراء أي تعديلات على هذا المنتج أو ابتداء ملحقات غير موصى بها للاستخدام مع هذا المنتج. أي تغيير أو تعديل من هذا النوع يعتبر سوء استخدام، وقد يؤدي إلى وضع خطير قد يتسبب في وقوع إصابات شخصية خطيرة محتملة.

فك التغليف

- افحص الآلة بعناية للتأكد من عدم حدوث كسر أو تلف أثناء الشحن.
- لا تتخلص من مكونات التغليف حتى الانتهاء من فحص الآلة بعناية والتأكد من تشغيلها كما ينبغي.

توصيل ملحق مجرفة الثلوج برأس الطاقة

ملحق مجرفة الثلوج هذا مصمم للاستخدام مع رأس الطاقة PH1400E من شركة EGO.

راجع قسم "تركيب ملحق برأس الطاقة" الموجود في دليل تشغيل رأس الطاقة PH1400E.

خلع الملحق من رأس الطاقة

راجع قسم "خلع الملحق من رأس الطاقة" الموجود في دليل تشغيل رأس الطاقة PH1400E.

التشغيل

⚠ تحذير: لا تسمح لاعتنالك على تشغيل هذا المنتج أن يجعلك مستهتراً عند التعامل معه. ولا تنس أن الاستهتار لجزء من الثانية كافٍ للتسبب في حدوث إصابات خطيرة.

⚠ تحذير: ارتد دائماً نظارات الحماية المرودة بواقبات على الجانبين، وارتداء ارتداء واقٍ لكامل الوجه أثناء تشغيل هذا المنتج. قد ينجم عن عدم الامتثال لذلك دخول أشياء في عينيك، واحتمالية وقوع إصابات خطيرة.

الاستخدامات

يمكنك استخدام هذا المنتج في الغرض الموضح أدناه:

- تنظيف المساحات الصغيرة ونباتات العمل الخفيفة مثل الساحات والممرات والجراجات.

استخدام ملحق مجرفة الثلوج مع رأس الطاقة

⚠ تحذير: لا تقم أبداً باستخدام ملحق مجرفة الثلوج على أسطح الجيريات أو الأنهار المتجمدة أو ما شابههم، لأنك قد تتعرض للوفاة أو الإصابات الخطيرة في حال تحطم الثلج.

⚠ تحذير: لا تقم أبداً باستخدام ملحق مجرفة الثلوج على سطح المنزل أو الأسطح الأخرى غير الثابتة، لأن هذا قد يعرضك للوفاة أو الإصابات الخطيرة.

قائمة المحتويات (الشكل A)

الوصف

تعرف على ملحق مجرفة الثلوج (الشكل A)

1. بكرة ضبط العاكس
2. عمود
3. مسمار القفل
4. ظهر الآلة
5. العاكس
6. قضيب المكشطة
7. البرهية
8. عمود البرهية

تركيب وخلع قضيب المكشطة

1. أخرج مجموعة البطارية من رأس الطاقة.
2. ضع ملح مجرفة الثلوج على جانبه أو أي موضع مناسب آخر لضابطة قضيب المكشطة.
3. قم بفك البراغي الأربعة الموجودة في مقدمة قضيب المكشطة، بالإضافة إلى المسامير في كلا الطرفين. استخدم مفكاً (غير مرفق) لفكها (الشكل E و F).
4. استبدل قضيب المكشطة المتهالك بأخر جديد، إذا لزم الأمر.
5. لإعادة التجميع، أدخل قضيب المكشطة الجديد مع محاذاة الفتحات الست، وأدخل البراغي الست في الفتحات واربطها بمفك (غير مرفق).

E-1 قضيب المكشطة

تشحيم علبه التروس

- علبة التروس الموجودة في صندوق ناقل الحركة تحتاج لتشحيم بشكل منتظم باستخدام شحم مخصص لذلك. اخفض مستوى تشحيم صندوق ناقل الحركة بعد كل 50 ساعة تشغيل عن طريق خلع مسمار القفل الموجود بجانب الصندوق. إن لم تستطع رؤية أي شحم على جوانب التروس، اتبع الخطوات التالية للتعبة بشحم ناقل الحركة حتى مستوى 3/4 من السعة الداخلية. لا تملأ صندوق ناقل الحركة بالكامل.

1. ضع للملح في وضع راسي بحيث يكون مسمار القفل وجهه لأعلى (الشكل G).

G-1 صندوق ناقل الحركة

G-2 مسمار القفل

2. استخدم مفتاح الربط متعدد الوظائف المرفق في فك وخلع مسمار القفل.
3. استخدم محقنة تشحيم (غير مرفقة) لحقن بعض الشحم في فتحة المسمار؛ بحيث لا تتخطى 3/4 من السعة الداخلية.
4. اربط مسمار القفل بعد الحقن.

النقل والتخزين

- اخلع مجموعة البطارية من الآلة.
 - نظف الآلة جيّداً قبل تخزينها.
- خزن الآلة في منطقة جافة جيدة التهوية، بحيث يكون في مكان مقفل أو عالٍ عن سطح الأرض بعيداً عن متناول أيدي الأطفال. لا تقم بتخزين الآلة على الأسمدة أو البنزين أو المواد الكيميائية الأخرى، أو بجوارها.

حماية البيئة

لا تتخلص من الأجهزة الكهربائية كنهاية غير مفروزة، بل توجه بها إلى مرافق جمع وفصل النفايات. تواصل مع الجهات الحكومية المحلية للتعرف على المعلومات المتعلقة بأنظمة جمع النفايات المتاحة.



إذا تم التخلص من الأجهزة الكهربائية في أكوام القمامة أو مقلب النفايات، قد تسرب مواد خطيرة في المياه الجوفية وتصل إلى السلسلة الغذائية، وهو ما يضر بالصحة والبيئة.

⚠ تحذير: لا تستخدم ملح مجرفة الثلوج على الجليد الذي قد يتسبب في انزلاق مشغل الآلة أو سقوطه، ما قد يؤدي إلى احتمال التعرض لإصابة شخصية.

⚠ تحذير: لا ترتد ملابس أو أوشحة أو مجوهرات غير ثابتة. لأنها قد تشبك في الأجزاء المتحركة متسببة في الوفاة أو التعرض لإصابات شخصية خطيرة.

⚠ تحذير: لا تقم أبداً بتوجيه ملح مجرفة الثلوج ناحية الأشخاص أو الحيوانات الأليفة. لأن الثلج المذفوف أو الأشياء الأخرى المذفوفة قد تتسبب في إصابات شخصية خطيرة.

⚠ تحذير: تأكد من خلو المنطقة التي ستقوم بتنظيفها من الأحجار والحصى والأسلاك والحصى والأشياء الأخرى التي قد تتطاير دون قصد بفعل ملح مجرفة الثلوج في أي اتجاه متسببة في وقوع إصابات شخصية خطيرة لمشغل الآلة والأشخاص الآخرين.

عند استخدام ملح مجرفة الثلوج، أمسك الآلة قبضة محكمة بكلتا يديك أثناء التشغيل (الشكل C).

- انتبه لاتجاه الريح قبل البدء، وإن أمكن، قم بتفريغ الثلج في نفس اتجاه الريح لمنع الثلج من التناثر عائداً ناحية وجهك.
- قد تتعرض بعض أجزاء ملح مجرفة الثلوج للتجمد في ظل ظروف الطقس القاسية. لا تحاول تشغيل الآلة وهناك أجزاء منها متجمدة.
- إذا لامست الآلة أي نوع من العوائق أثناء التشغيل، فقم بإيقافها وإخلع البطارية. افحص الآلة بعناية قبل استخدامها.
- إذا كان الثلج كثيفاً جداً وأعمق من عمق منطقة الإزالة، فقد يستغرق الأمر أكثر من ثمرة واحدة بالملح حتى تتم إزالته.

عند الانتهاء، اترك الآلة تعمل لبضع دقائق للسماح بخروج الثلج من البريمة قبل التخزين.

لبده تشغيل/ إيقاف الآلة

راجع قسم "تشغيل/إيقاف رأس الطاقة" الموجود في دليل تشغيل رأس الطاقة PH1400E.

بكرة ضبط العاكس (الشكل D)

يمكن تغيير اتجاه التفريغ لملح مجرفة الثلوج عن طريق إدارة بكرة ضبط العاكس لليسار أو للأمام أو اليمين.

أقصى نطاق ضبط للبكرة هو 60 درجة (30 درجة إلى اليسار أو اليمين).

سيتم فقل البكرة عندما تكون في أقصى اليسار أو أقصى اليمين. اضغط على البكرة وقم بتدويرها في الاتجاه المعاكس لفتح قفلها.

D-1	مؤشر القفل
D-2	بكرة ضبط العاكس

الصيانة

الصيانة العامة

تجنب استخدام المنظفات عند تنظيف الأجزاء البلاستيكية. غالبية المكونات البلاستيكية تكون سريعة التأثر بالأنواع المختلفة للمنظفات الموجودة بالسوق، وقد تتلف نتيجة استخدامها عليها. استخدم قطعة قماش نظيفة لإزالة الأوساخ والأتربة والزيوت والشحم وما شابههم.

⚠ تحذير: عند تنظيف ملح مجرفة الثلوج، لا تغمره في الماء أو أي سوائل أخرى.

استكشاف الأخطاء وإصلاحها

المشكلة	السبب	الحل
لا يمكن بدء تشغيل مجرفة الثلوج.	<ul style="list-style-type: none"> مجموعة البطارية فارغة الشحن لم يتم استخدام زر القفل أو المفتاح الزنبركي بشكل صحيح. لم يتم تركيب البطارية بالكامل في الهيكل. 	<ul style="list-style-type: none"> اشحن البطارية. اتبع التعليمات الواردة في قسم "تشغيل/إيقاف رأس الطاقة" في دليل PH1400E. تحقق مما إذا كان قد تم تركيب البطارية بالكامل في الهيكل.
لا بد أن الآلة تالفة.	<ul style="list-style-type: none"> حدث تلف غير طبيعي أثناء النقل أو الاستخدام. 	<ul style="list-style-type: none"> لا تستمر في استخدام الآلة، وأرسلها إلى مركز صيانة متخصص لإصلاحها.
مجرفة الثلوج ترك طبقة رقيقة.	<ul style="list-style-type: none"> قضيب المكشطة متهالك. 	<ul style="list-style-type: none"> استبدل قضيب المكشطة.
الآلة تتوقف بشكل مفاجئ أثناء التشغيل	<ul style="list-style-type: none"> هناك حمل زائد على الآلة هناك حرارة زائدة في مجموعة البطارية أو الآلة. 	<ul style="list-style-type: none"> قلل كثافة الحمل الواقع على الآلة. اترك مجموعة البطارية أو الآلة تبرد قبل العمل.

الضمان

سياسة ضمان EGO

تفضل بزيارة الموقع الإلكتروني egopowerplus.com للتعرف على الشروط والأحكام الكاملة الخاصة بسياسة ضمان EGO.